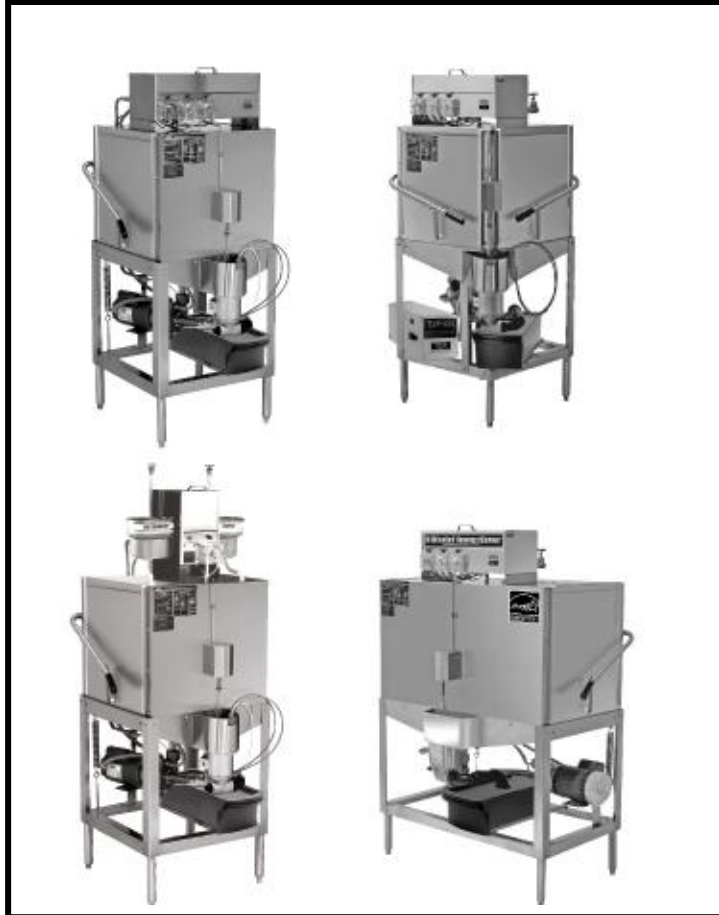




MODELS
AH/B/C/Scullery/Pizza/Bowl
PARTS MANUAL
Rev 1.04B



CMA DISHMACHINES
1 7707 VALLEY VIEW AVE
CERRITOS, CALIFORNIA 90703

800-854-6417

FAX 714-895-2141

[Buy Parts](#)

TABLE OF CONTENTS

MODEL AH/B/C/S.

1. PARTS MANUAL.....	4
1.1. INITIAL PARTS KIT (P/N 01100.20).....	4
1.2. EXPLODED VIEW DRAWINGS.....	5
1.2.1. Cabinet Assembly for Model AH.....	5
1.2.2. Cabinet Assembly for Model B.....	6
1.2.3. Cabinet Assembly for Model B Energy Saver.....	7
1.2.4. Cabinet Assembly for Model CB Right Door Only.....	8
1.2.5. Cabinet Assembly for Model CB Left Door Only.....	9
1.2.6. Cabinet Assembly For Model C.....	10
1.2.7. Control Box Assembly for Model AH, B and C.....	11
1.2.8. Door Actuator Assembly.....	12
1.2.9. Door Actuator Assembly for Model C.....	13
1.2.10. Pump Assembly AH and C.....	14
1.2.11. Pumps Assemblies For Model B.....	15
1.2.12. Plumbing System Assembly for Model AH and C.....	17
1.2.13. Plumbing System Assembly for Model B.....	18
1.2.14. Spray System Assembly for Model AH.....	19
1.2.15. Spray System Assembly for Models B/CB.....	20
1.2.16. Spray System Assembly for Model B/CB Energy Saver.....	21
1.2.17. Spray System Assembly for Model C.....	22
1.2.18. Drain System Assembly for Model AH and C.....	23
1.2.19. Drain System Assembly for Model B.....	24
1.2.20. Peristaltic Pump Assembly.....	25
1.2.21. Unique Parts For Scullery AH.....	26
1.2.22. Unique Parts For Scullery B.....	27
1.2.23. Unique Parts For Scullery C.....	28
1.2.24. Unique Parts For Pizza Machines.....	29
1.3. OPTIONAL SOLID BOWL CMA.....	30
1.4. OPTIONAL SOLID BOWL SUNBURST CHEMICALS (AH AND C).....	31
1.5. OPTIONAL SANI ALARM.....	32
1.6. TEMP-SURE HEATER.....	33

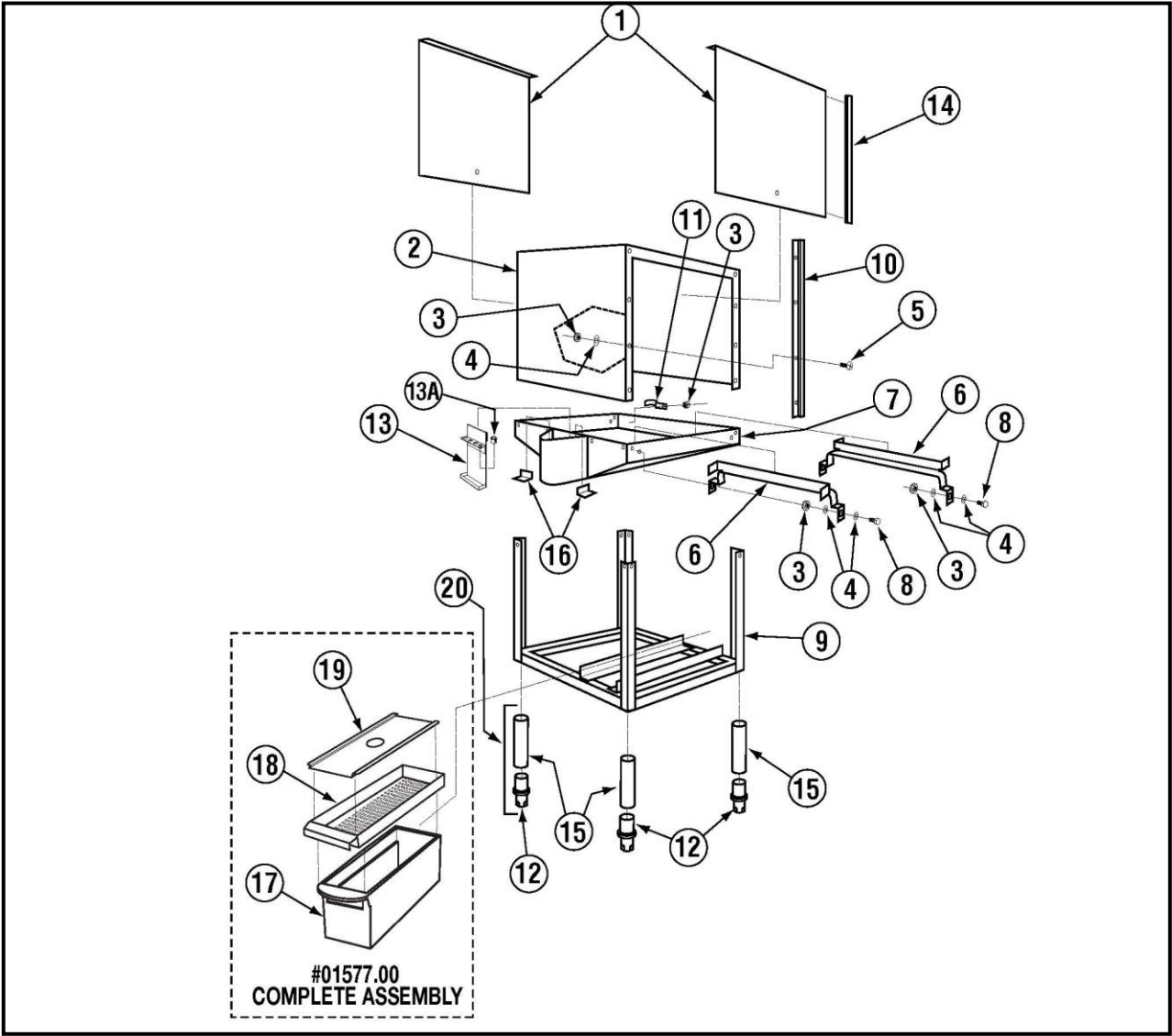
1. Parts Manual

1.1. Initial Parts Kit (P/N 01100.20)

P/N	DESCRIPTION	Qty
00100.40	Drain Ball Solenoid 120V	1
00120.02	Thermometer (Bi Metal)	1
00121.40	Drain Ball	1
00200.10	Pump Assy 110/220V 60Hz (Open)	1
00206.30	Pump Seal Kit	1
00304.04	Spray Arm B L1-C & L-1X	1
00304.07	Spray Arm A & C	1
00308.50	Spray Arm End Plug SS	1
00341.00	Spray Arm Bearing (Cleanable)	1
00363.00	Spray Base Lock Pin	1
00404.82	Motor Contactor 120 VAC	1
00411.00	Micro Switch	1
00415.00	Peristaltic Pump Assy 120V/60Hz	1
00418.00	Peristaltic Pump Cover	1
00421.40	Start/Fill switch	1
00433.00	Master Switch (30 Amp)	1
00500.00	Timer Motor 90 Sec 110V/60Hz	1
00562.00	Roller Door Switch	1
00631.00	Ice Cube Relay 120V	1
00706.00	3/4 Water Solenoid Repair Kit JE	1
00715.00	1/2 Ball Check Valve	1
00735.00	3/4 Vac Breaker Rep Kit Watts	1
00738.10	Solenoid Coil JE 120V (3/4 & 1/2)	1
02257.00	Squeeze Tube 8"	1

1.2. Exploded View Drawings

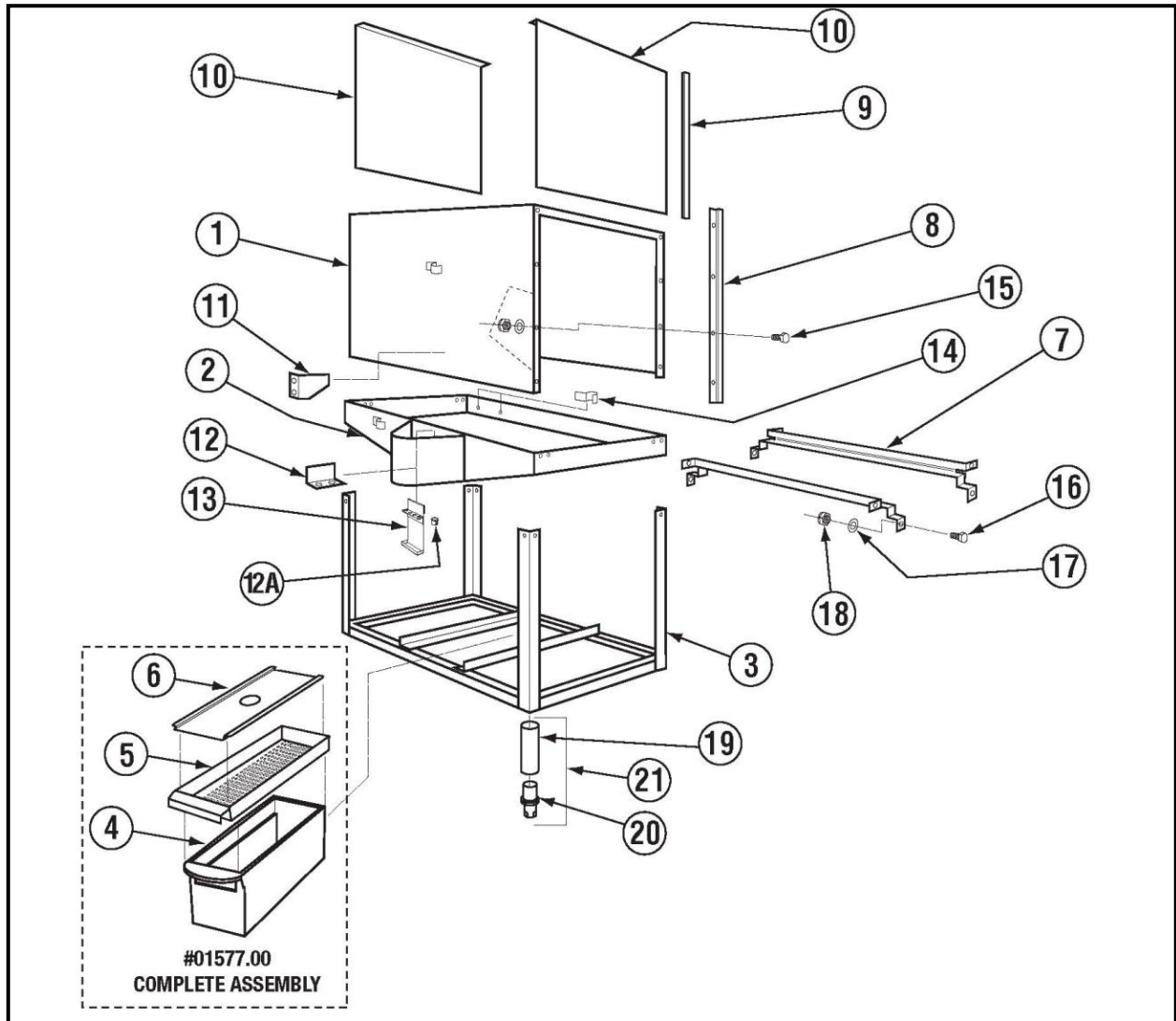
1.2.1. Cabinet Assembly for Model AH



ITEM NO.	NO. REQ'D	P/N	DESCRIPTION
1	2	01506.30	Door
2	1	01530.02	Wrapper
3	33	00912.00	1/4-20 Lock Nut
4	50	00926.00	SS Washer 1/4"
5	16	00905.00	1/4-20 x 1/2" Truss Head Bolt
6	1	01505.02	Tray Track (Set)
7	1	01531.02	Pan
8	17	00906.00	1/4-20 x 1/2" Hex Head Bolt
9	1	01532.52	Frame Stand
10	4	01554.30	EZ Glide Door Guide SS

ITEM NO.	NO. REQ'D	P/N	DESCRIPTION
11	3	00725.50	1/2" Plumbing Strap
12	4	01310.00	Bullet Foot
13	1	01558.20	Chemical Tube Support Bracket
13A	4	00427.00	Line Bracket Snap Bushing
14	4	00636.10	EZ Glide Plastic Guide
15	4	01572.10	SS Leg (A, AH, C, B)
16	2	01571.00	Drain Baffle
17	1	01577.10	Scrap Trap Body Molded
18	1	01577.21	S/S Scrap Trap Drawer
19	1	01577.30	S/S Scrap Trap Lid Molded
20	--	01145.00	Leg Assembly, 10" w/Bullet Foot

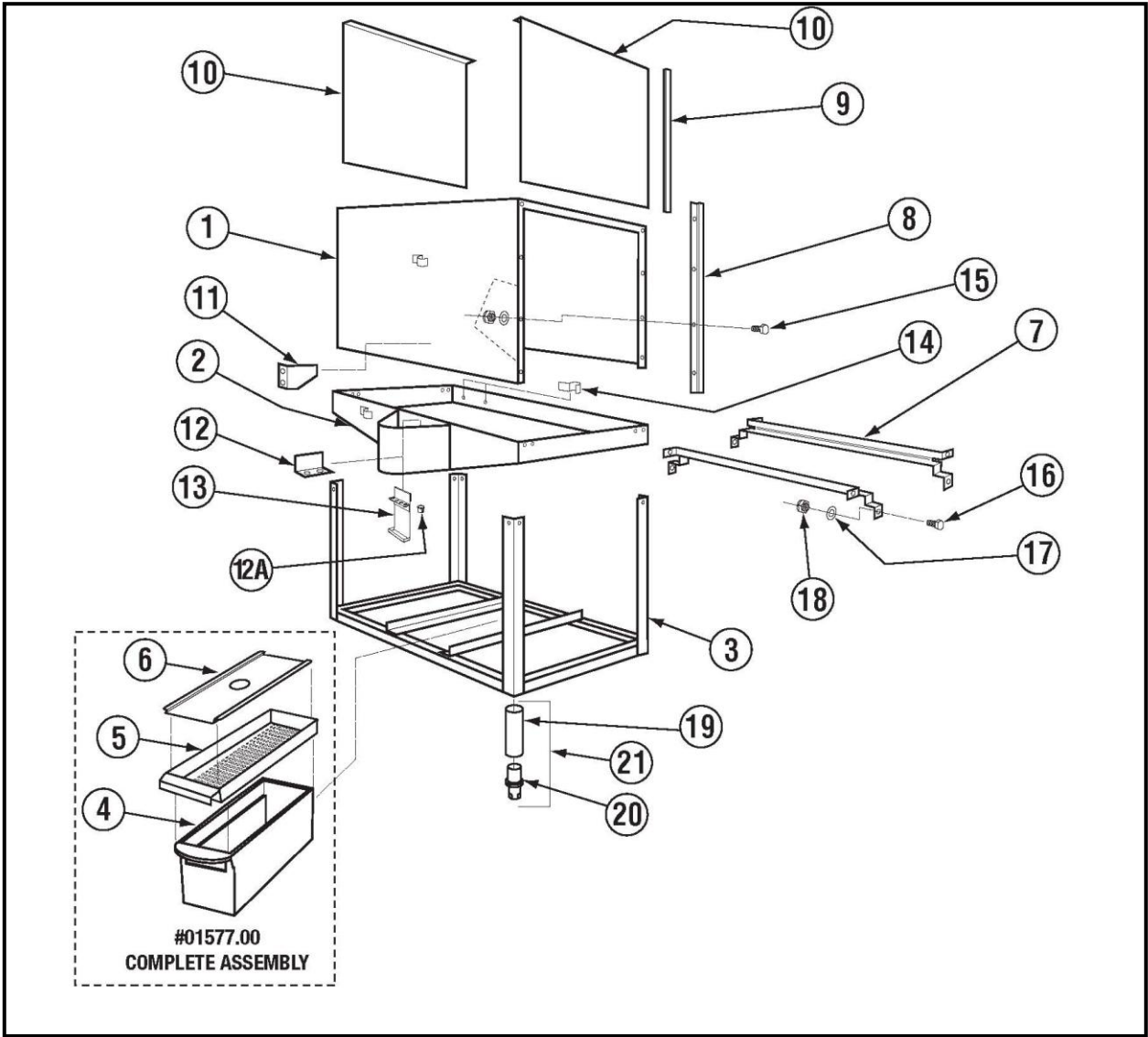
1.2.2. Cabinet Assembly for Model B



ITEM NO.	NO. REQ'D	P/N	DESCRIPTION
1	1	01530.03	Wrapper (TM-B)
2	1	01501.03	Pan Double (B)
3	1	01532.53	Stand TM-B (w/o Legs)
4	1	01577.10	Scrap Trap Body Molded
5	1	01577.21	SS Scrap Trap Drawer
6	1	01577.30	SS Scrap Trap Lid
7	1	01505.03	Tray Track B (Set of 2)
8	4	01554.30	EZ Glide Door Guide SS 21 1/8"
9	4	00636.10	EZ Glide Door Guide (Plastic)
10	2	01506.30	SS Door (A, B, C, M, CMA-44)
11	2	01505.13	Support Bracket for B Tray Track

ITEM NO.	NO. REQ'D	P/N	DESCRIPTION
12	2	01571.00	Drain Baffle
12A	4	00427.00	Snap Bushing 375-4
13	1	01558.20	Chemical Tube Support Bracket
14	3	00725.50	1/2" Plumbing Strap
15	16	00905.00	Trusshead Bolt 1/4"-20 x 1/2"
16	22	00906.00	Hex Head Bolt 1/4"-20 x 1/2"
17	72	00924.00	SS Washer, 1/4"
18	38	00912.00	SS Nylon Lock Nut, 1/4"
19	4	01572.10	SS Leg (A, AH, C, B)
20	4	01310.00	Bullet Foot
21	---	01145.00	Leg Assembly, 10" w/Bullet Foot

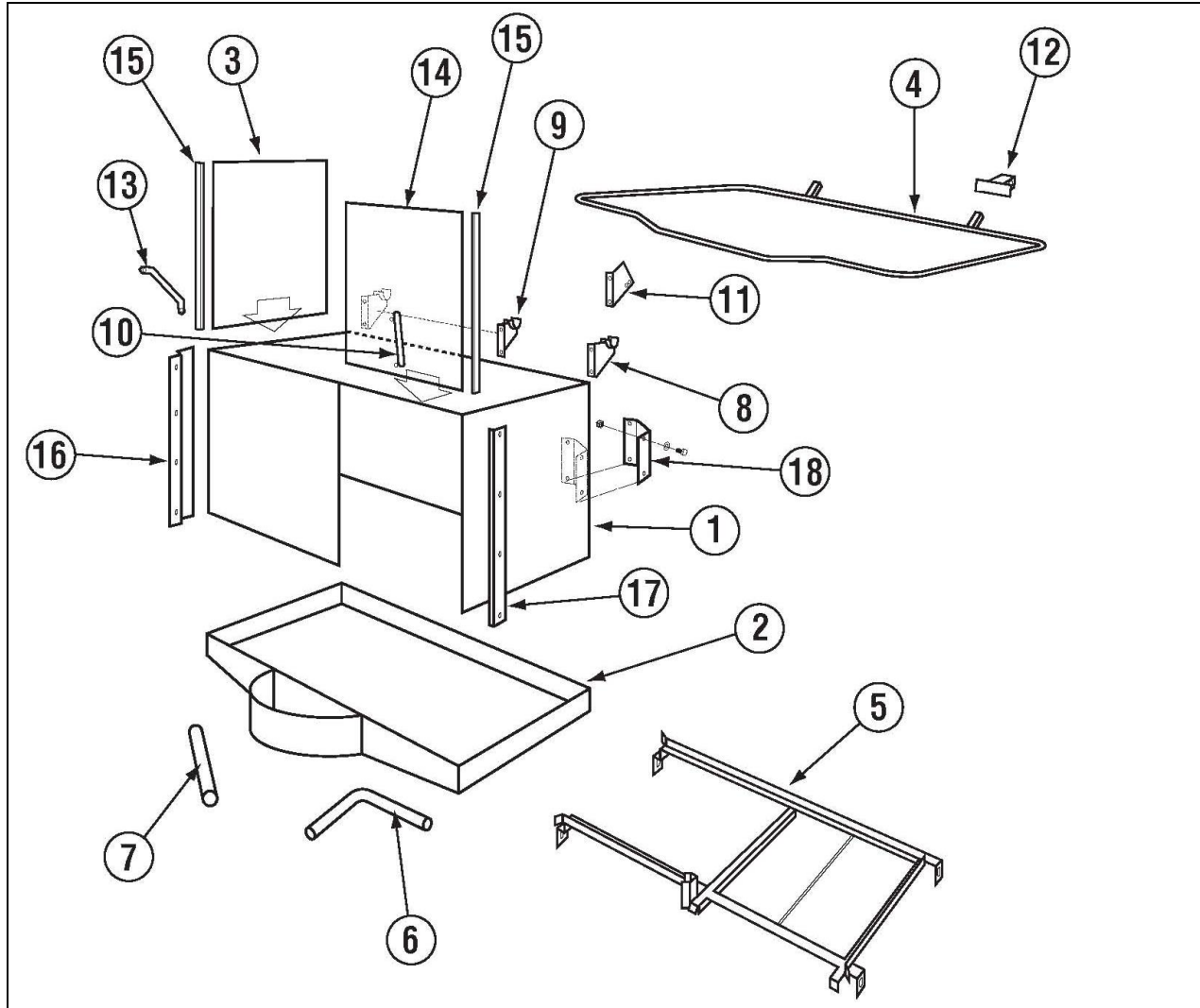
1.2.3. Cabinet Assembly for Model B Energy Saver



ITEM NO.	NO. REQ'D	P/N	DESCRIPTION
1	1	01530.53	ES B Wrapper -Tall
2	1	01501.43	ES-B Pan
3	1	01532.53	Stand TM-B (w/o Legs)
4	1	01577.10	Scrap Trap Body Molded
5	1	01577.21	S/S Scrap Trap Drawer
6	1	01577.30	S/S Scrap Trap Lid
7	1	01505.03	Tray Track B (Set of 2)
8	4	17554.00	CMA-180/Pizza Door Guide 24
9	4	00636.15	EZ Glide Door Guide 25 7/8"
10	2	01506.10	Door (Pizza) Dimple And Stamped
11	2	01505.13	Support Bracket for B Tray Track

ITEM NO.	NO. REQ'D	P/N	DESCRIPTION
12	2	01571.00	Drain Baffle
12A	4	00427.00	Snap Bushing 375-4
13	1	01558.20	Chemical Tube Support Bracket
14	3	00725.50	1/2" Plumbing Strap
15	16	00905.00	Trusshead Bolt 1/4"-20 x 1/2"
16	22	00906.00	Hex Head Bolt 1/4"-20 x 1/2"
17	72	00924.00	SS Washer, 1/4"
18	38	00912.00	SS Nylon Lock Nut, 1/4"
19	4	01572.10	SS Leg (A, AH, C, B)
20	4	01310.00	Bullet Foot
21	---	01145.00	Leg Assembly, 10" w/Bullet Foot

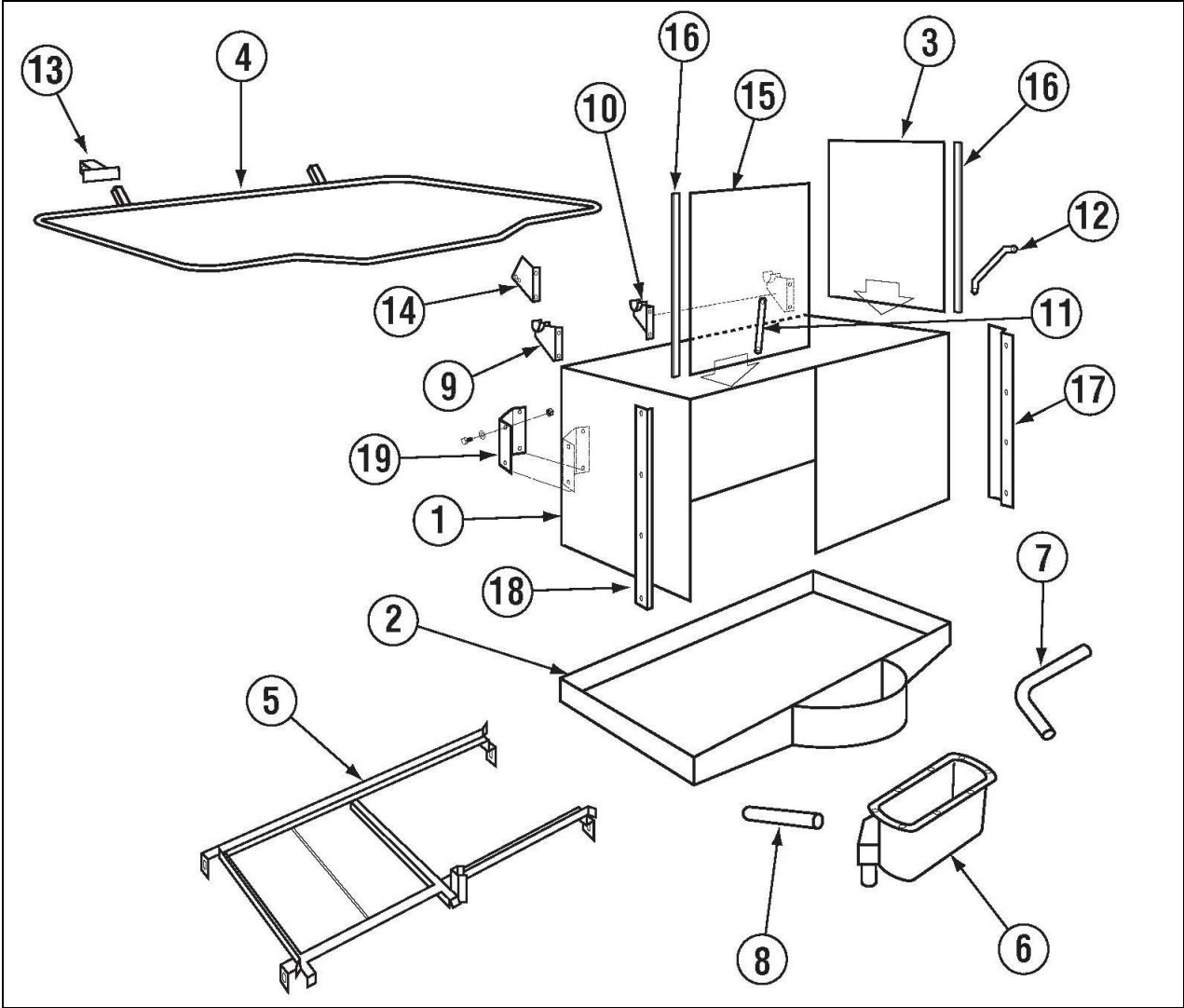
1.2.4. Cabinet Assembly for Model CB Right Door Only



ITEM NO.	NO. REQ'D	P/N	DESCRIPTION
1	1	01530.24	Wrapper CB (For RD) Standard
		01530.84	Wrapper CB-Tall (For Right Door)
2	1	01501.24	Pan CB (For RD) Standard
		01501.34	Pan CB-Tall (For Right Door)
3	1	01506.25	Side Door CB (For RD) Standard 22-7/8" by 21-5/8"
		01506.65	Side Door For (CB-T) Right Door 29-7/8" by 21-5/8"
4	1	00613.25	Door Handle CB (Right)
5	1	01505.24	Tray track CB(RD)
6	1	00246.24	Motor suction Tube CB (For RD)
7	1	00246.14	Motor suction Tube CB (For RD)
8	1	01556.50	RH Door Handle Support Bracket

ITEM NO.	NO. REQ'D	P/N	DESCRIPTION
9	1	01555.50	LH Door Handle Support Bracket
10	1	01553.10	Door Handle Link(CB) 8-5/8"
11	1	00563.40	Door Switch Bracket (8-08)
12	1	00563.42	Door Switch Actuator (8-08)
13	1	01553.30	Door Handle Link(CB) Banana Style 10"
14	1	01506.30	Door - Standard - with Dimple 22-7/8" by 21-5/8"
		01506.10	Door- Extended) - with Dimple 29-7/8" by 21-5/8"
15	4	00636.15	EZ Glide Door Guide 25-7/8"
16	3	17554.00	SS Door Guide CB-Tall 24-3/8"
17	1	01554.26	SS Door Guide CB-Tall 24-3/8"
18	1	01505.14	Wrapper CB Reinforcement Bracket

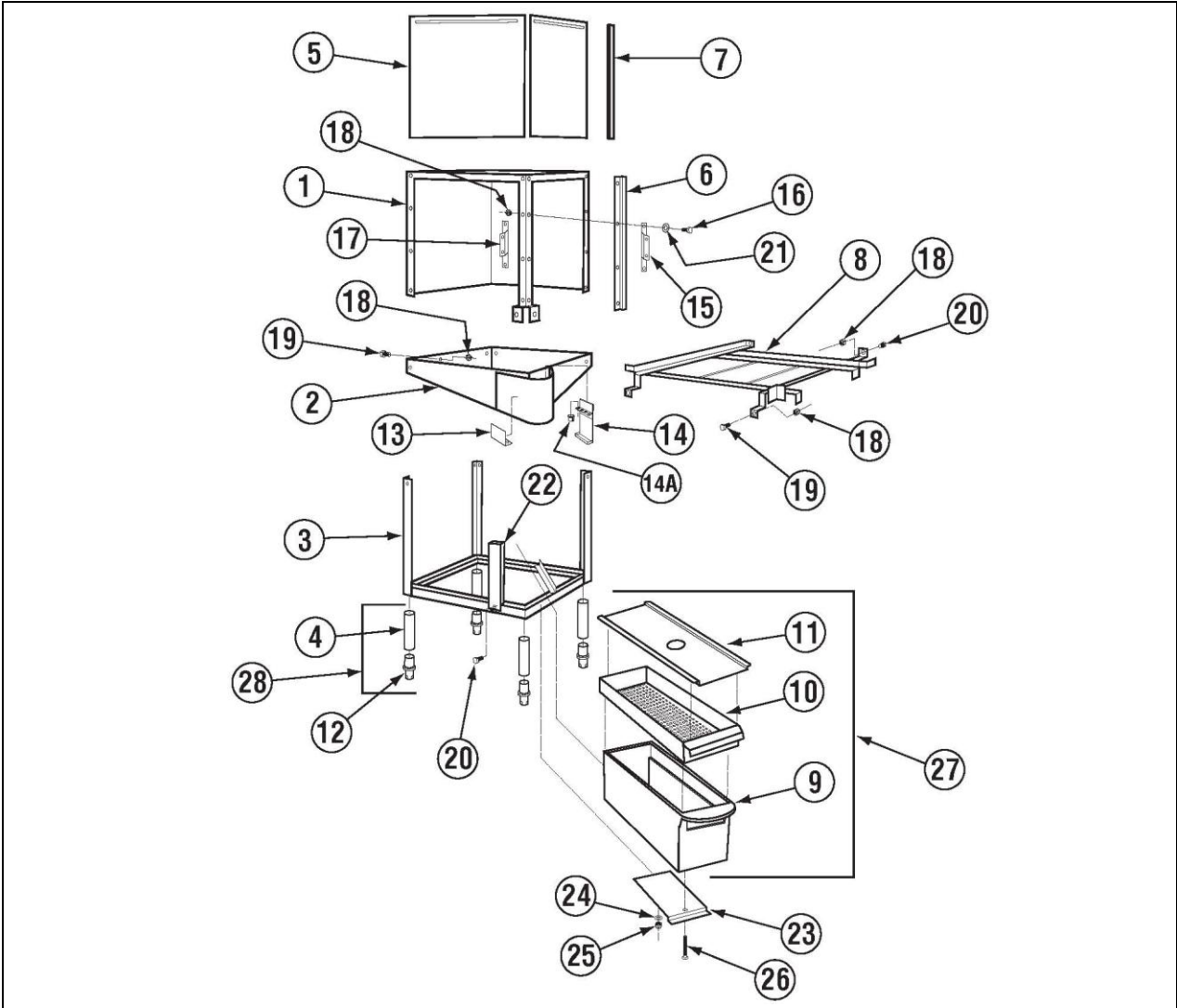
1.2.5. Cabinet Assembly for Model CB Left Door Only



ITEM NO.	NO. REQ'D	P/N	DESCRIPTION
1	1	01530.25	Wrapper CB (For LD) Standard
		01530.85	Wrapper CB-Tall (For Left Door)
2	1	01501.25	Pan CB (For LD) Standard
		01501.35	Pan CB-Tall (For Left Door)
3	1	01506.24	Side Door CB (For LD) Standard 22-7/8" by 21-5/8"
		01506.64	Side Door (CBT) Left Door 29-7/8" by 21-5/8"
4	1	00613.24	Door Handle CB (Left)
5	1	01505.25	Tray Track CB (LD)
6	1	00111.25	Drain Sump Casting CB (LD)
7	1	00246.25	Motor suction Tube CB (For LD)
8	1	00246.15	Motor suction Tube CB (For LD)
9	1	01555.50	LH Door Handle Support Bracket

ITEM NO.	NO. REQ'D	P/N	DESCRIPTION
10	1	01556.50	RH Door Handle Support Bracket
11	1	01553.10	Door Handle Link(CB) 8-5/8"
12	1	01553.30	Door Handle Link (CB)Banana Style 10"
13	1	00563.42	Door Switch Actuator (8-08)
14	1	00563.40	Door Switch Bracket (8-08)
15	1	01506.30	Door - Standard - with Dimple 22-7/8" by 21-5/8"
		01506.10	Door- Extended) - with Dimple 29-7/8" by 21-5/8"
16	4	00636.15	EZ Glide Door Guide 25-7/8"
17	3	17554.00	SS Door Guide CB-Tall 24-3/8"
18	1	01554.26	SS Door Guide CB-Tall 24-3/8"
19	1	01505.14	Wrapper CB Reinforcement Bracket

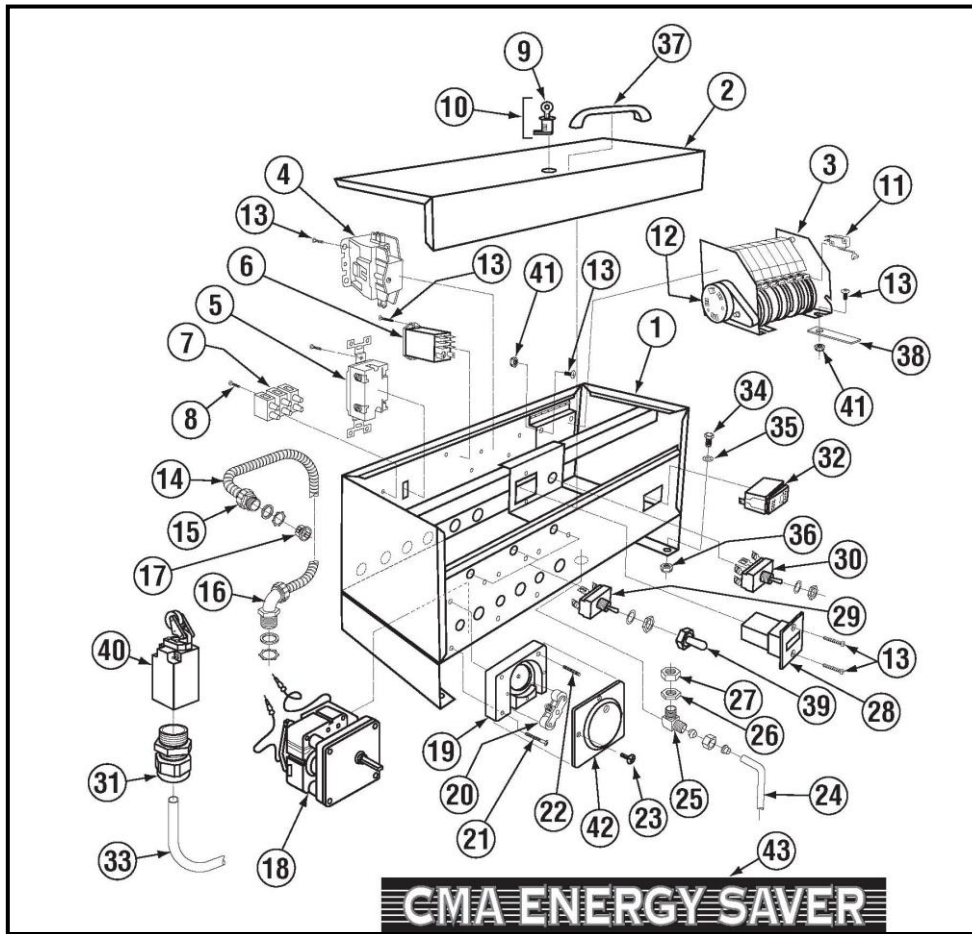
1.2.6. Cabinet Assembly For Model C



1	1	01500.04	Wrapper Includes Brackets #15,17
2	1	01501.04	Frame Pan (C)
3	1	01532.54	Frame Stand
4	4	01572.10	Stand Legs (A, AH, C, B)*
5	2	01506.30	Door A, B, C, M, CMA-44
6	4	01554.30	Door Guide SS 21 1/8"
7	4	00636.10	EZ Glide Door Guide (Plastic)
8	1	01505.04	Tray Track Corner
9	1	01577.10	Scrap Trap Body Molded
10	1	01577.21	S/S Scrap Trap Drawer
11	1	01577.30	S/S Scrap Trap Lid Molded
12	4	01310.00	Bullet Feet
13	2	01571.00	Drain Baffle
14	1	01558.20	Chemical Tube Support Bracket

14A	4	00427.00	Line Bracket Snap Bushing
15	1	00101.10	Solenoid Bracket CRH
16	16	00905.00	Trusshead Bolt 1/4"-20 x 1/2"
17	1	00101.20	Solenoid Bracket CLH
18	34	00912.00	Nylon Lock Nut, 1/4"-20
19	12	00914.10	Hexhead Bolt 1/4"-20 x 5/8 "
20	12	0906.00	Hexhead Bolt 1/4"-20 x 1/2 "
21	68	00924.00	1/4" SS Washer
22	1	01570.24	Pan Support Bracket C
23	1	01577.50	Molded Scrap Trap Mount Bracket
24	1	00924.00	1/4" SS Washer
25	1	00912.00	1/4 x20 Nylon Lock Nut
26	1	00911.00	8-32x1/2 "Pan Head Screw
27	1	01577.00	Scrap Trap Assy (Poly Pro)
28	1	01145.00	^Leg Assy 10" wAdjustable Socket

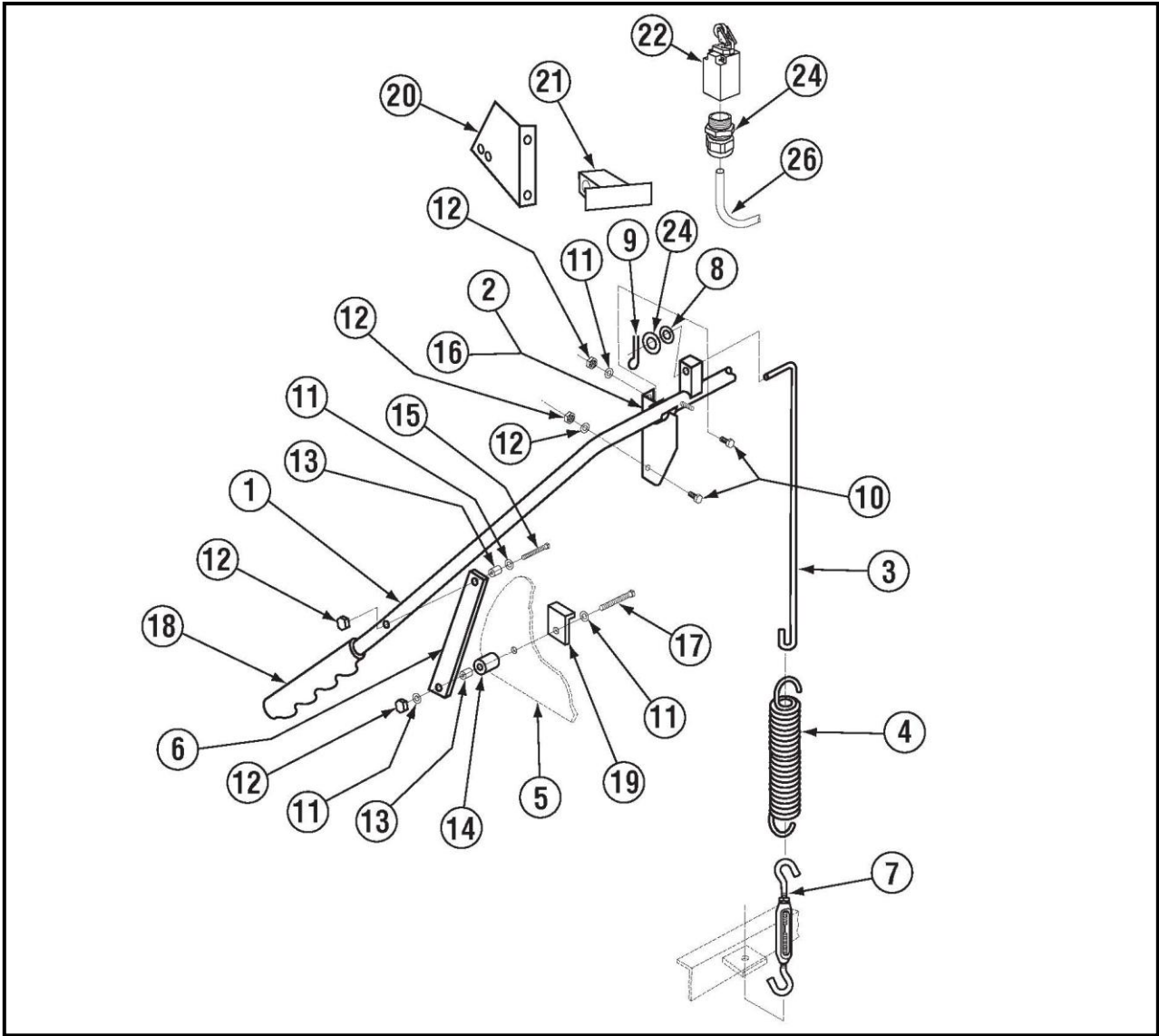
1.2.7. Control Box Assembly for Model AH, B and C



ITEM NO.	NO. REQ'D	P/N	DESCRIPTION
1	1	01503.14	Control Box Body AH-B-C
2	1	01504.14	Control Box Lid AH-B-C
3	1	00407.80	Timer 90 Sec 8 Cam 120V
4	1(2)	00404.82	Motor Contactor 120V AH/C (B)
5	1	00433.10	Master Switch (20Amp) AH
	1	00433.00	Master Switch (30Amp) B
6	1	00631.00	Ice Cube relay 120V
7	1	00454.10	3 Pole Socket Terminal Block
8	1	13825.00	8-32 X 1" Pan Head Screw
9	1	00450.00	Key Only
10	1	00449.00	Lock and Key
11	8	00411.00	Microswitch
12	1	00500.00	Timer Motor 120V (For 90Sec Timer)
13	4	00911.50	8-32 X 3/8" Pan Head Screw
14	AR	00400.00	Conduit 3/8" Sealtite
15	2	00401.00	St. Straight 3/8" Connector
16	4	00402.00	St. 90Deg 3/8" Connector
17	4	00438.00	Snap Bushing 875-11
18	3	00416.00	Peristaltic Pump Motor 120V
19	3	00417.10	Peristaltic Pump Block
20	3	00419.00	Peristaltic Pump Rotor
21	6	00919.00	8-32 X 1 1/2" Panhead Bolt

ITEM NO.	NO. REQ'D	P/N	DESCRIPTION
22	3	00918.00	8-32 X 1 1/2" Fillister Bolt
23	12	00911.00	8-32 X 1/2" Panhead screw
24	1	00464.07	3/8" SS Tubing (For Solenoid Wire)
25	1	00436.00	3/8" 90Deg Elbow Comp X Mip
26	1	00712.00	3/8" jamb Nut (Plated)
27	1	00712.30	3/8" jamb Nut (standard)
28	1	03408.50	Counter (Panel Mount) 120V
29	3	03470.00	Primer Switch (Momentary)
30	1	00475.70	Delimer Switch (DPDT 15Amp)
31	1	00562.60	Roller Switch Connector
32	1	00421.40	Start/Fill Switch (With light)
33	3FT	00547.00	Switch Cord
34	4	00914.00	1/4" -20 X 3/4" Hex Head Bolt
35	4	00922.00	1/4" Lock Star Washer
36	4	00912.00	1/4"-20 Nylon Lock Nut
37	1	00535.00	Control Box Lid Handle
38	1	01514.00	Timer Support Bar
39	4	00470.10	Toggle Switch Rubber Boot
40	1	00562.00	Roller Switch
41	1	00927.00	8-32 Nylon Lock Nut
42	3	00418.00	Peristaltic Pump Cover
43	1	06232.25	CMA Energy Saver Label for B machine

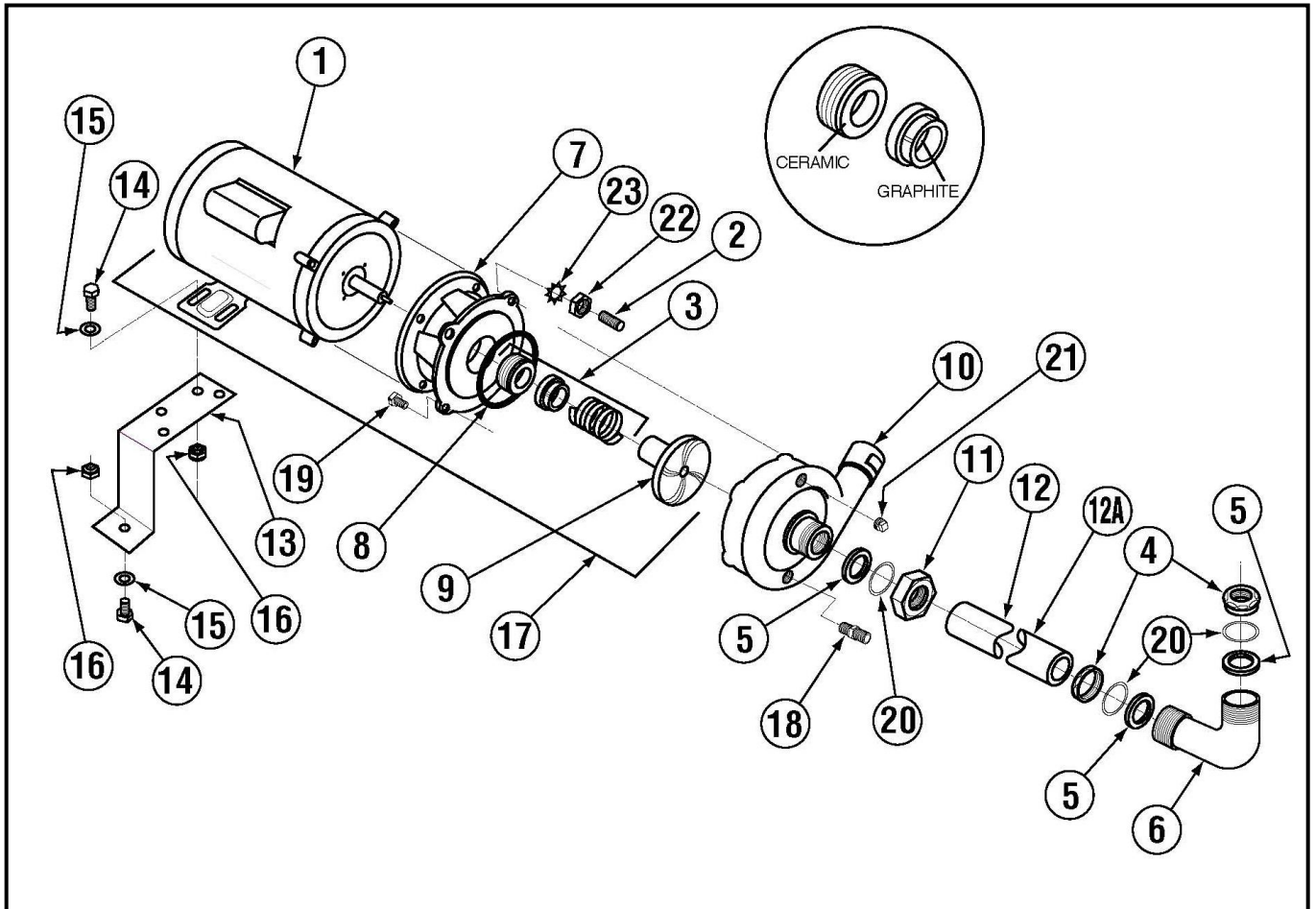
1.2.8. Door Actuator Assembly



ITEM NO.	NO. REQ'D	P/N	DESCRIPTION
1	1	00613.32	Door Handle, 1" (Model AH)
		00613.33	Door Handle, 1" (Model B)
2	1	01556.50	Door Handle Support, 1" (Right)
3	2	00603.07	Door Spring Extension Rod
4	2	00602.00	Door Spring (# 602.20 B & S models)
5	2	01506.30	Door (Cut Away)
6	2	01553.00	Door Handle Link
7	2	00606.50	Turn Buckle
8	2	00926.00	5/16" SS Washer
9	2	00900.00	Cotter Pin
10	4	00906.00	1/4-20 x 1/2" Hex Head Screw
11	6	00924.00	1/4" SS Washer
12	8	00912.00	1/4-20 Nylon Locknut

ITEM NO.	NO. REQ'D	P/N	DESCRIPTION
13	4	00610.00	Door Handle Spacer, Small
14	4	00611.00	Door Handle Spacer, Large
15	2	00910.00	1/4-20 x 1-1/2" Hex Bolt
16	1	01555.50	Door Handle Support, 1" (Left)
17	2	00903.00	1/4-20 x 1-3/4" Hex Head Bolt
18	2	00607.04	Door Handle Cap, 1"
19	2	01552.00	Door Stop
20	1	00563.40	Door Switch Bracket (8-08)
21	1	00563.42	Door Switch Actuator (8-08)
22	1	00562.00	Roller Door Switch
23	1	00562.60	Connector Door Roller Switch
24	1	00605.30	Door Rod Spacer
25	1	00546.00	18 AWG Switch Cord

1.2.10. Pump Assembly AH and C



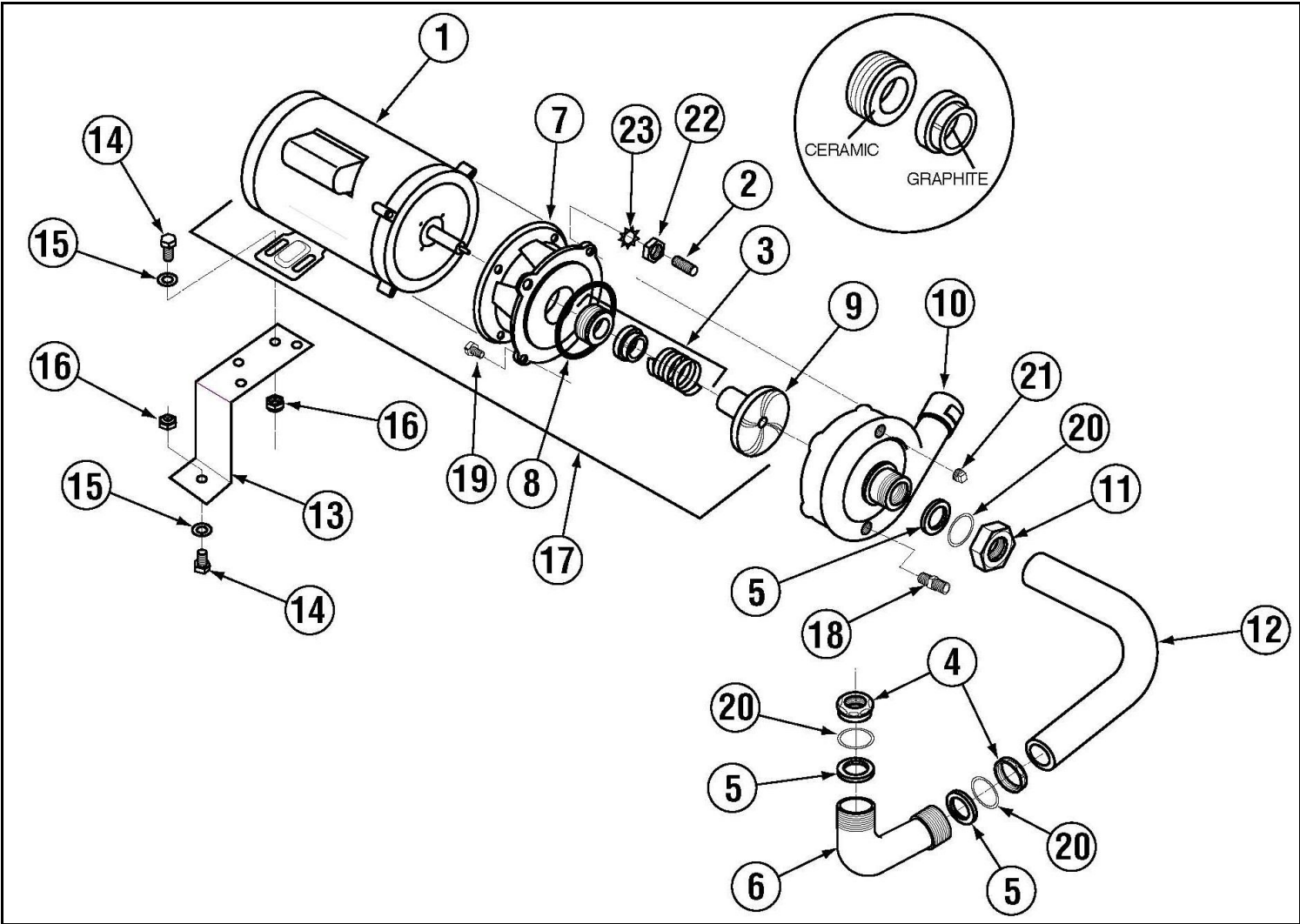
ITEM NO.	NO. REQ'D	P/N	DESCRIPTION
1	1	00201.00	Pump Motor, 1 HP
2	2	00975.00	3/8"-16 x 1 1/2" SS Stud
3	1	00206.30	Pump Seal Kit
4	2	00207.00	1 1/2" x 1 1/4" Slip Joint Nut
5	3	00208.40	Slip Joint Nut Gasket
6	1	00768.20	Pump Inlet Elbow SS Casting
7	1	04207.10	Pump Base Small
8	1	03226.00	Pump O-Ring
9	1	03222.10	Open Impeller
10	1	04207.20	Pump Cover, Small
11	1	00207.00	Compression Nut (2.5")
12	1	00246.01	Motor Suction Tube (A/AH)

ITEM NO.	NO. REQ'D	P/N	DESCRIPTION
12A	1	00246.04	Motor Suction Tube (C)
13	1	13916.20	Motor Support Bracket
14	1	00906.00	1/4"-20 x 1/2" Hex Head Bolt
15	1	00924.00	1/4" SS Washer
16	1	00912.00	1/4"-20 Nylon Lock Nut
17*	1	00200.10	Pump Assy.
18	1	00214.50	1/2 Comp x 3/8" M.I.P. F.T.G.
19	6	00921.00	3/8"-16 x 1/4" SS Head Bolt
20	3	00208.21	Slip Joint Nut Friction Ring
21	1	00238.00	3/8 Mail Plug
22	2	03810.00	3/8-16 Thin Nut
23	2	03807.50	3/8 External Lock Star Washer

*P/N 00200.10 includes items 1, 3, 7, 8, and 9 already assembled.

Parts Manual

1.2.11. Pumps Assemblies For Model B

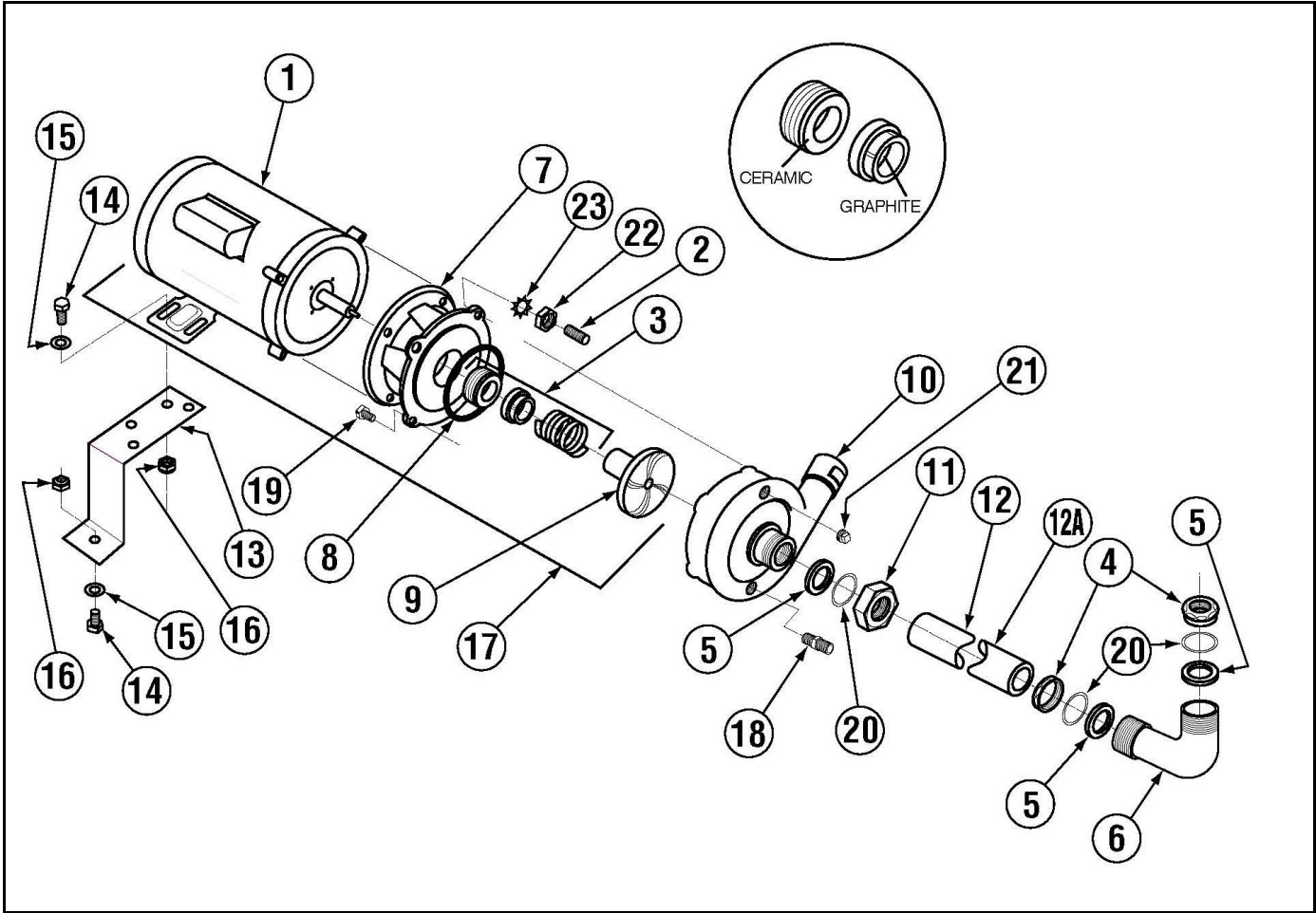


ITEM NO.	NO. REQ'D	P/N	DESCRIPTION
1	1	00201.00	Pump Motor, 1 HP
2	2	00975.00	3/8"-16 x 1 1/2" SS Stud
3	1	00206.30	Pump Seal Kit
4	2	00207.00	1 1/2" x 1 1/4" Slip Joint Nut
5	3	00208.40	Slip Joint Nut Gasket
6	1	00768.20	Pump Inlet Elbow SS Casting
7	1	04207.10	Pump Base Small
8	1	03226.00	Pump O-Ring
9	1	03222.10	Open Impeller
10	1	04207.20	Pump Cover, Small
11	1	00207.00	Compression Nut (2.5")
12	1	00246.23	Motor Suction Tube Curve B/R

ITEM NO.	NO. REQ'D	P/N	DESCRIPTION
13	1	13916.20	Motor Support Bracket
14	3	00906.00	1/4"-20 x 1/2" Hex Head Bolt
15	3	00924.00	1/4" SS Washer
16	3	00912.00	1/4"-20 Nylon Lock Nut
17*	1	00200.10	Pump Assy.
18	1	00214.50	1/2 Comp x 3/8" M.I.P. F.T.G.
19	6	00921.00	3/8"-16 x 3/4" SS Head Bolt
20	3	00208.21	Slip Joint Nut Friction Ring
21	1	00238.00	3/8" Mail Plug
22	2	03810.00	3/8-16 Thin Nut
23	2	03807.50	3/8 External Lock Star Washer

*P/N 00200.10 includes items 1, 3, 7, 8, and 9 already assembled.

Parts Manual

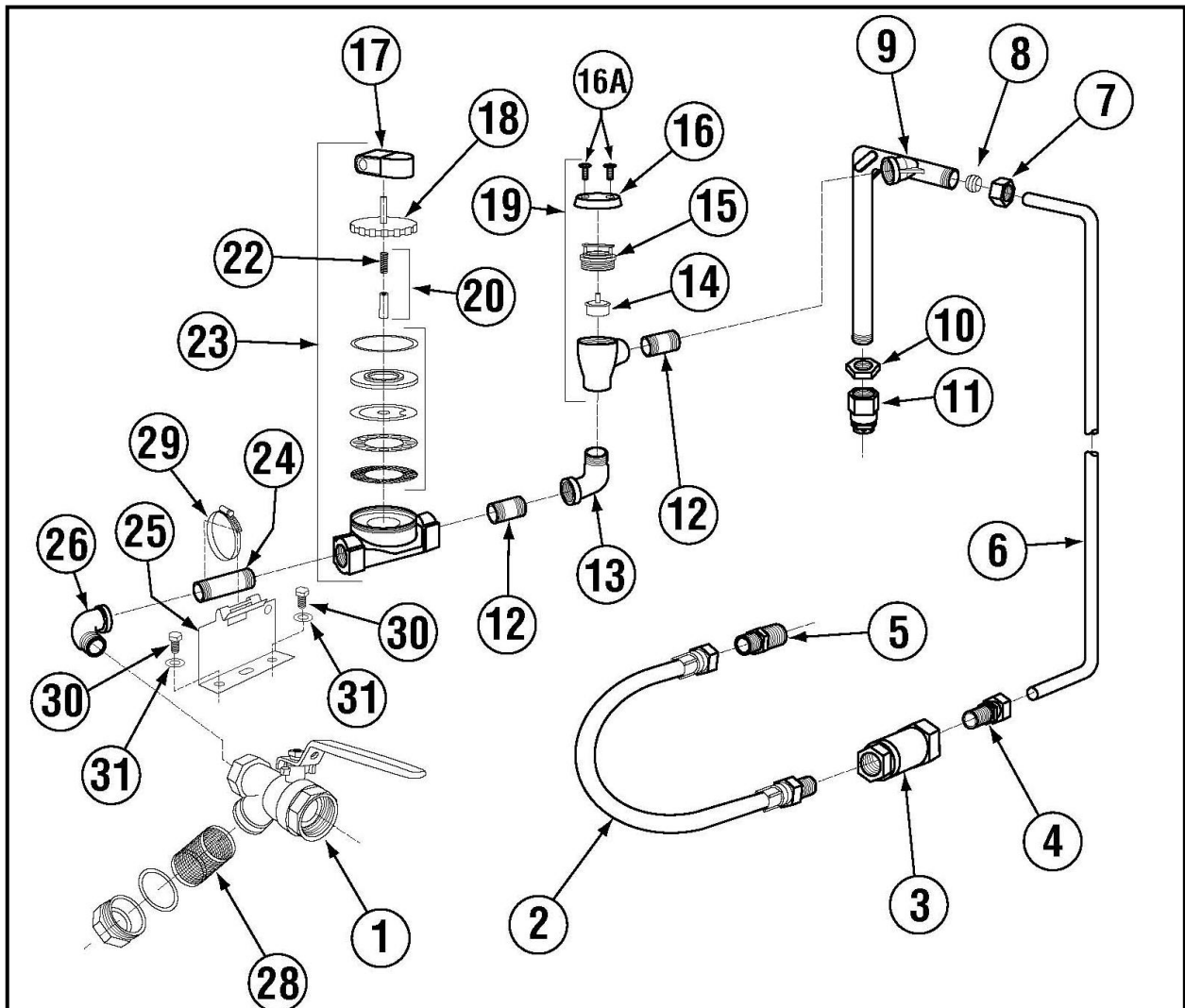


ITEM NO.	NO. REQ'D	P/N	DESCRIPTION
1	1	00201.00	Pump Motor, 1 HP
2	2	00975.00	3/8"-16 x 1 1/2" SS Stud
3	1	00206.30	Pump Seal Kit
4	2	00207.00	1 1/2" x 1 1/4" Slip Joint Nut
5	3	00208.40	Slip Joint Nut Gasket
6	1	00768.20	Pump Inlet Elbow SS Casting
7	1	04207.10	Pump Base Small
8	1	03226.00	Pump O-Ring
9	1	03222.10	Open Impeller
10	1	04207.20	Pump Cover, Small
11	1	00207.00	Compression Nut (2.5")
12	1	00246.03	Motor Suction Tube SS (B) L

ITEM NO.	NO. REQ'D	P/N	DESCRIPTION
13	1	13916.20	Motor Support Bracket
14	3	00906.00	1/4"-20 x 1/2" Hex Head Bolt
15	3	00924.00	1/4" SS Washer
16	3	00912.00	1/4"-20 Nylon Lock Nut
17*	1	00200.10	Pump Assy.
18	1	00214.50	1/2 Comp x 3/8" M.I.P. F.T.G.
19	6	00921.00	3/8"-16 x 3/4" SS Head Bolt
20	3	00208.21	Slip Joint Nut Friction Ring
21	1	00238.00	3/8" Mail Plug
22	2	03810.00	3/8-16 Thin Nut
23	2	03807.50	3/8 External Lock Star Washer

*P/N 00200.10 includes items 1, 3, 7, 8, and 9 already assembled

1.2.12. Plumbing System Assembly for Model AH and C

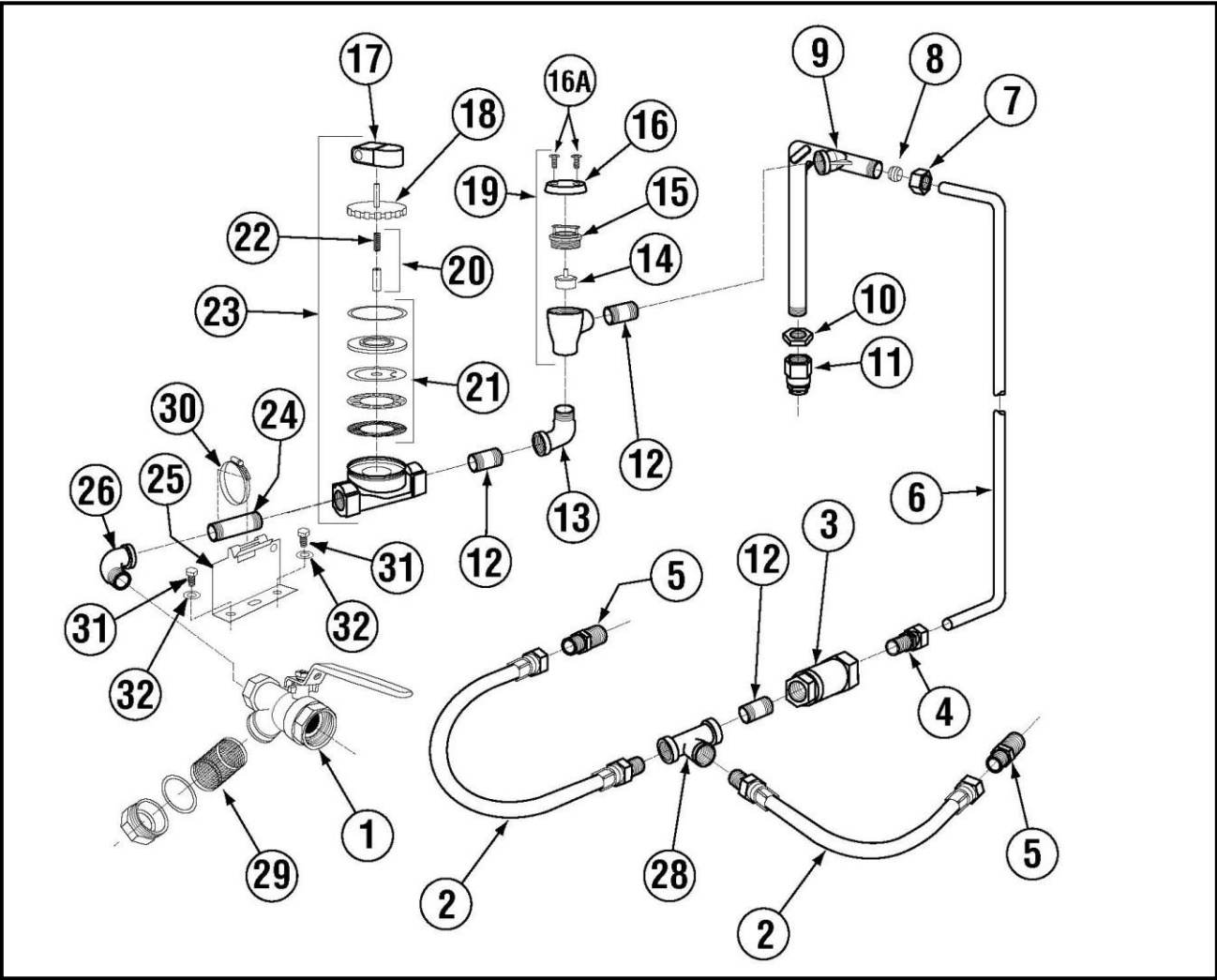


ITEM NO.	NO. REQ'D	P/N	DESCRIPTION
1	1	13029.00	3/4" Strainer Ball Valve*
2	1	00798.00	SS Braided Hose
3	1	00715.00	Ball Check Valve
4	1	00760.00	5/8" Comp x 1/2" MIP Fitting
5	1	00214.50	1/2" Comp x 3/8" MIP Fitting
6	1	00795.00	Flush Tube
7	1	00770.10	5/8 Compression Ftg. Nut
8	1	00770.20	5/8 Compression Ftg. Ring
9	1	00770.00	Water Inlet Elbow Assy
10	2	00721.00	1/2" Jamb Nut
11	1	00748.00	Sprinkler Head
12	2	00701.00	3/4" x 1-1/2" Nipple
13	2	00704.00	3/4" Street Elbow
14	1	00735.00	Repair Kit (Vacuum Breaker)
15	1	00735.60	Vacuum Breaker Bonnet, Brass
16*	1	00739.50	Vacuum Breaker Cap SS

ITEM NO.	NO. REQ'D	P/N	DESCRIPTION
17	1	00738.10	Solenoid Coil, J/E
18	1	00705.20	Water Solenoid Valve Bonnet
19	1	00710.50	3/4" Vacuum Breaker
20	1	00786.00	Water Solenoid Plunger, G Style 3/4" x 1/2"
21	1	00706.00	Repair Kit (Water Solenoid)
22	1	00706.10	3/4" Solenoid Plunger, Spring Only
23	1	00705.00	3/4" Water Solenoid
24	1	00781.00	3/4" x 3-1/2" Nipple, Brass
25	1	14508.50	Plumbing Support Bracket
26	1	00704.00	3/4" Street Elbow
27	1	00912.00	1/4"-20 Nylon Lock Nut
27A	1	00926.00	1/4" SS Washer
28	1	13029.10	^3/4 Ball Valve Strainers Only
29	1	03101.45	Hose Clamp #4 Size #002 SS
30	2	00940.50	10-32 X 3/8 Truss Head Screw
31	2	03801.60	10-32 KEPS Lock Nut

* Comes with 16A screws P/N 421.51

1.2.13. Plumbing System Assembly for Model B

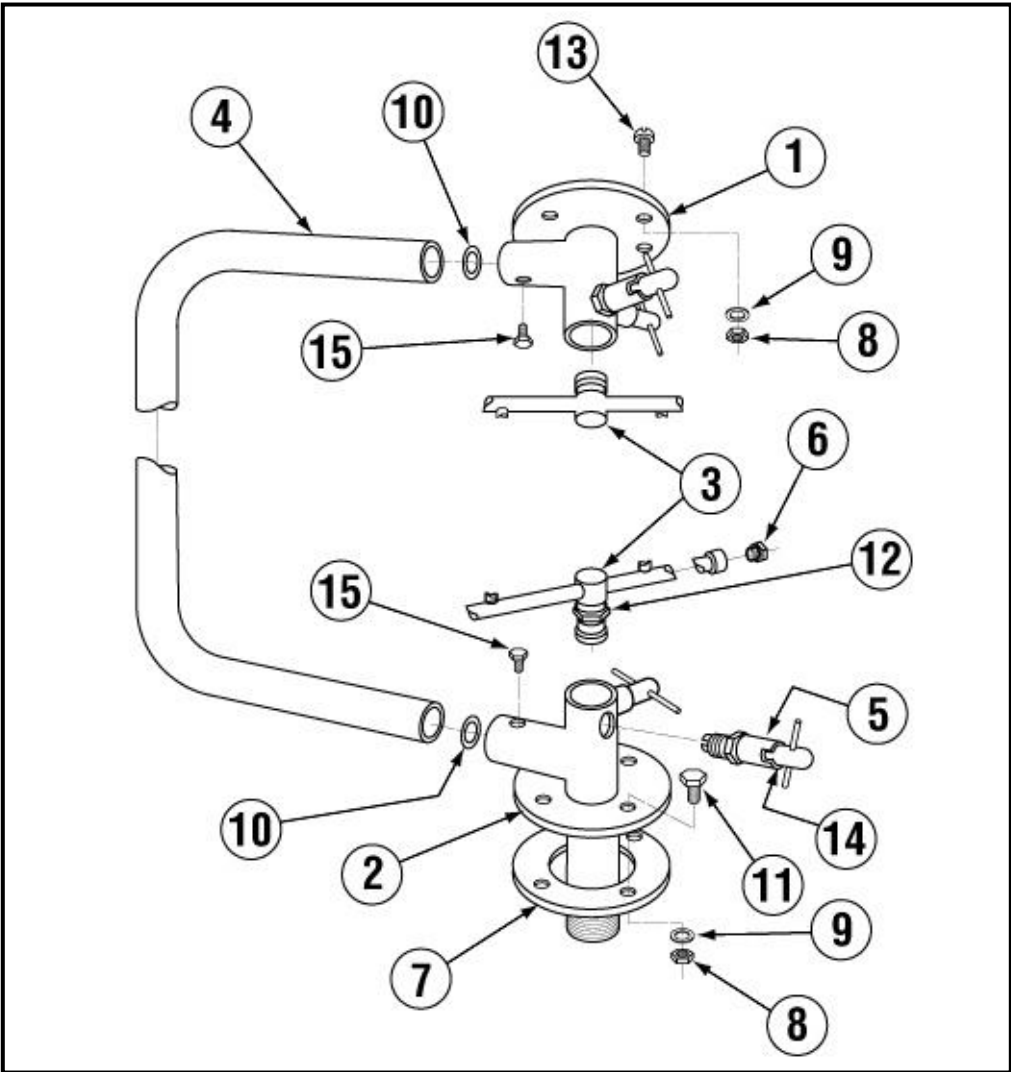


ITEM NO.	NO. REQ'D	P/N	DESCRIPTION
1	1	13029.00	3/4" Strainer Ball Valve
2	1	00798.00	SS Braided Hose
3	1	00715.00	Ball Check Valve
4	1	00760.00	5/8" Comp x 1/2" MIP Fitting
5	1	00214.50	1/2" Comp x 3/8" MIP Fitting
6	1	00795.00	Flush Tube
7	1	00770.10	5/8 Compression Ftg. Nut
8	1	00770.20	5/8 Compression Ftg. Ring
9	1	00770.00	Water Inlet Elbow Assy
10	2	00721.00	1/2" Jamb Nut
11	1	00748.00	Sprinkler Head
12	2	00701.00	3/4" x 1-1/2" Nipple
13	2	00704.00	3/4" Street Elbow
14	1	00735.00	Repair Kit (Vacuum Breaker)
15	1	00735.60	Vacuum Breaker Bonnet, Brass
16*	1	00739.50	Vacuum Breaker Cap SS
17	1	00738.10	Solenoid Coil, J/E

ITEM NO.	NO. REQ'D	P/N	DESCRIPTION
18	1	00705.20	Water Solenoid Valve Bonnet
19	1	00710.50	3/4" Vacuum Breaker
20	1	00786.00	Water Solenoid Plunger, G Style 3/4" x 1/2"
21	1	00706.00	Repair Kit (Water Solenoid)
22	1	00706.10	3/4" Solenoid Plunger, Spring Only
23	1	00705.00	3/4" Water Solenoid
24	1	00781.00	3/4" x 3-1/2" Nipple, Brass
25	1	14508.50	Plumbing Support Bracket
26	1	00704.00	3/4" Street Elbow
27	1	00912.00	1/4"-20 Nylon Lock Nut
27A	1	00926.00	1/4" SS Washer
28	1	00743.10	1/2" Tee FxFxF Brass
29	1	13029.10	3/4" Ball Valve Strainers Only
30	1	03101.45	Hose Clamp #4 Size #002 SS
31	2	00940.50	10-32 X 3/8 Truss Head Screw
32	2	03801.60	10-32 KEPS Lock Nut

* Comes with 16A screws P/N 421.51

1.2.14. Spray System Assembly for Model AH



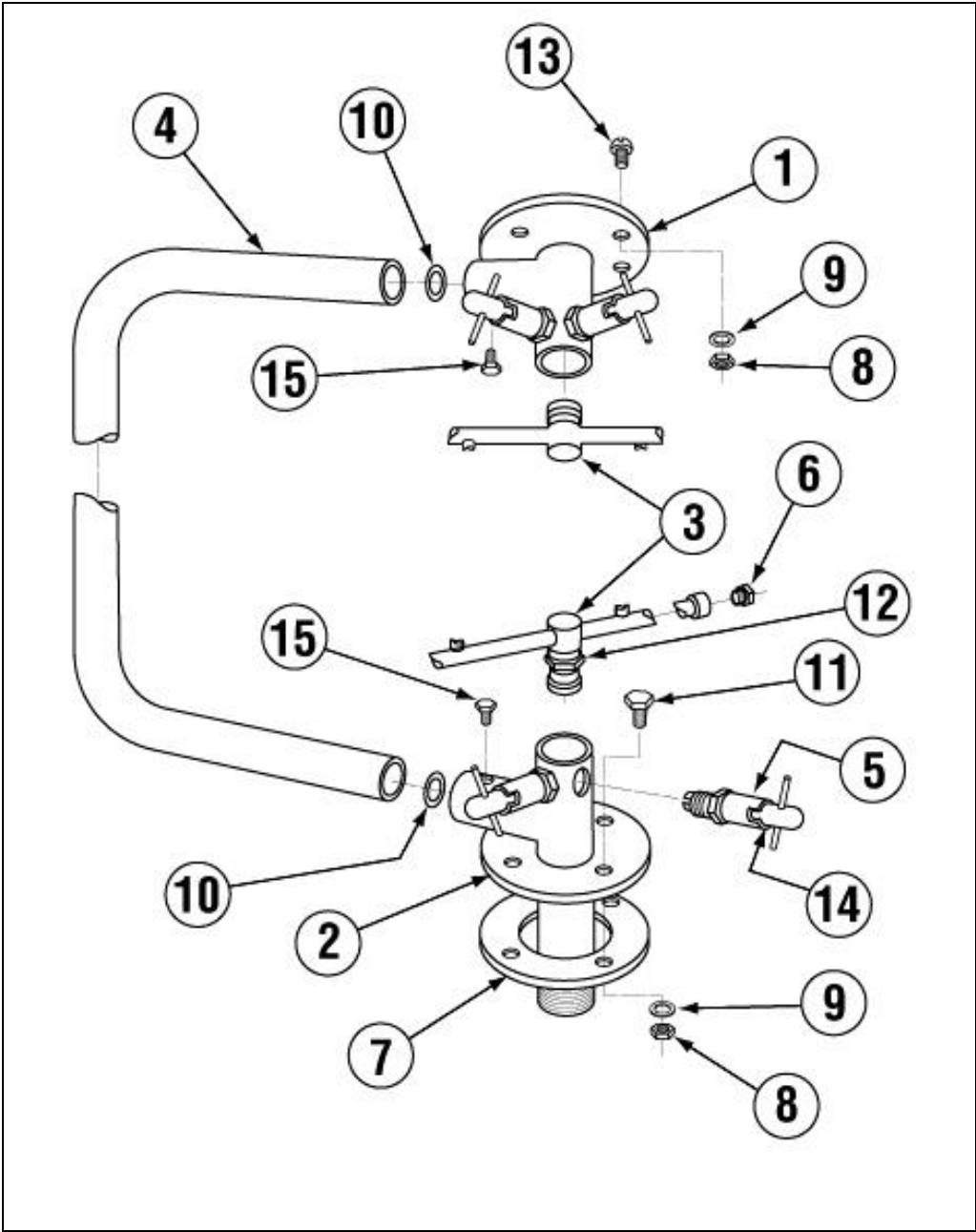
ITEM NO.	NO. REQ'D	P/N	DESCRIPTION
1	1	00361.00	Upper Spray Base, SS*
2	1	00360.00	Lower Spay Base, SS*
3	2	00304.07	Spray Arm A/C Series
4	1	00303.32	Manifold, AH
5	4	00363.00	Spray Base Lock Pin**
6	4	00308.50	Spray Arm End Plug
7	1	00302.00	Spray Base Gasket
8	8	00912.00	1/4 Nylon Lock Nut

ITEM NO.	NO. REQ'D	P/N	DESCRIPTION
9	16	00924.00	1/4" SS Washer
10	2	00302.51	O-Ring Spray Base
11	4	00914.10	1/4"-20 x 5/8" Hexhead Bolt
12	2	00341.00	Spray Arm Bearing
13	4	00929.00	1/4"-20 x 3/4" Trusshead Bolt
14	1	00363.10	Lock Arm Spring
15	2	00966.10	10-32 x 1/4" Hexhead Bolt

* Includes item 5, P/N [00363.00](#)

** Includes item 14, P/N [00363.10](#)

1.2.15. Spray System Assembly for Models B/CB



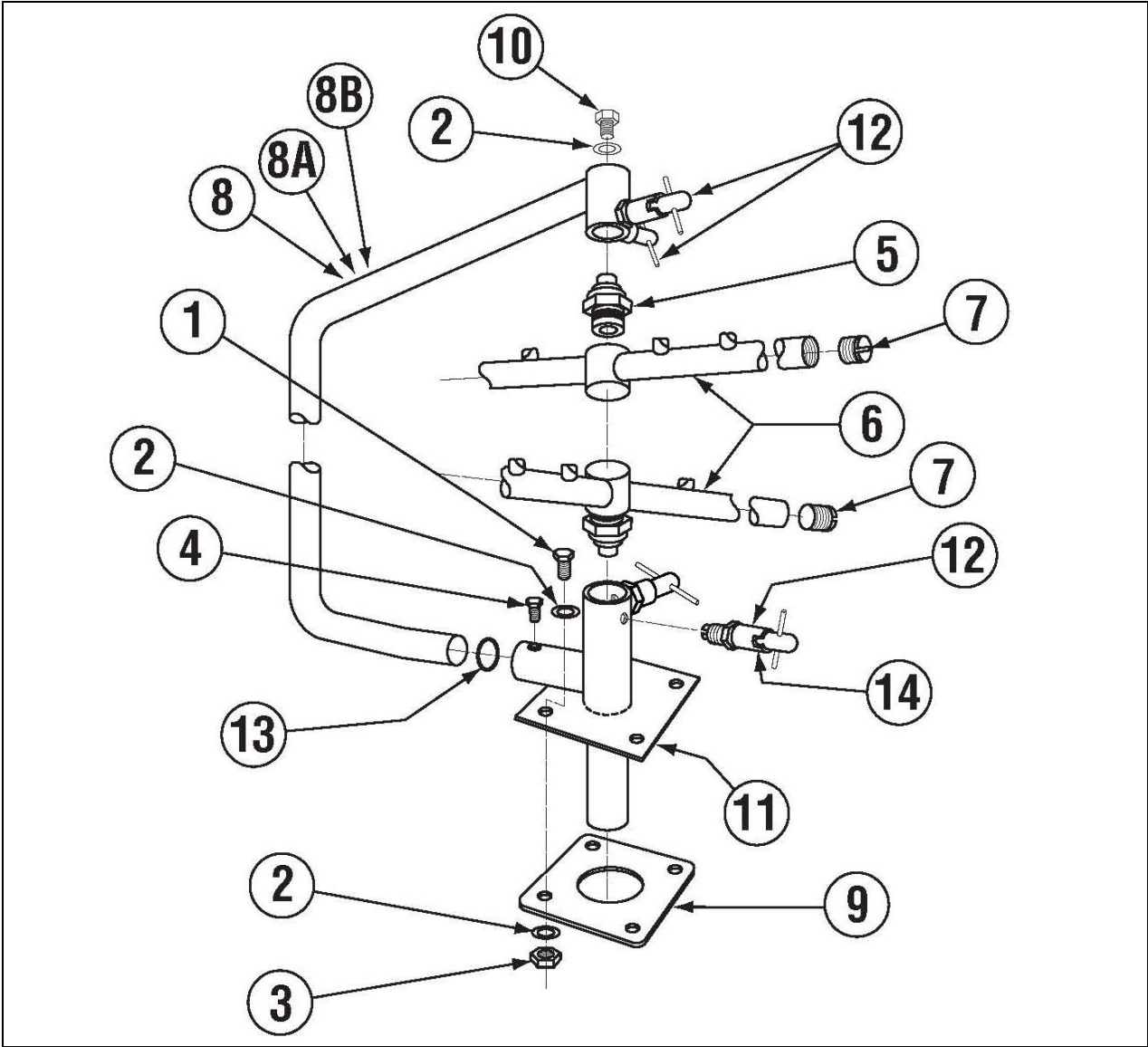
ITEM NO.	NO. REQ'D	P/N	DESCRIPTION
1	1	00361.40	Upper Spray Base, SS*
2	1	00360.40	Lower Spay Base, SS*
3	4	00304.04	Spray Arm B Series
4	1	00303.33	Manifold B
5	4	00363.00	Spray Base Lock Pin**
6	4	00308.50	Spray Arm End Plug
7	1	00302.00	Spray Base Gasket
8	8	00912.00	1/4 Nylon Lock Nut

ITEM NO.	NO. REQ'D	P/N	DESCRIPTION
9	16	00924.00	1/4" SS Washer
10	2	00302.51	O-Ring Spray Base
11	4	00914.10	1/4"-20 x 5/8" Hex Head Bolt
12	4	00341.00	Spray Arm Bearing
13	4	00929.00	1/4"-20 x 3/4" Truss Head Bolt
14	1	00363.10	Lock Arm Spring
15	2	00966.10	10-32 x 1/4" Hex Head Bolt

* Includes item 5, P/N 00363.00

** Includes item 14, P/N 00363.10

1.2.16. Spray System Assembly for Model B/CB Energy Saver

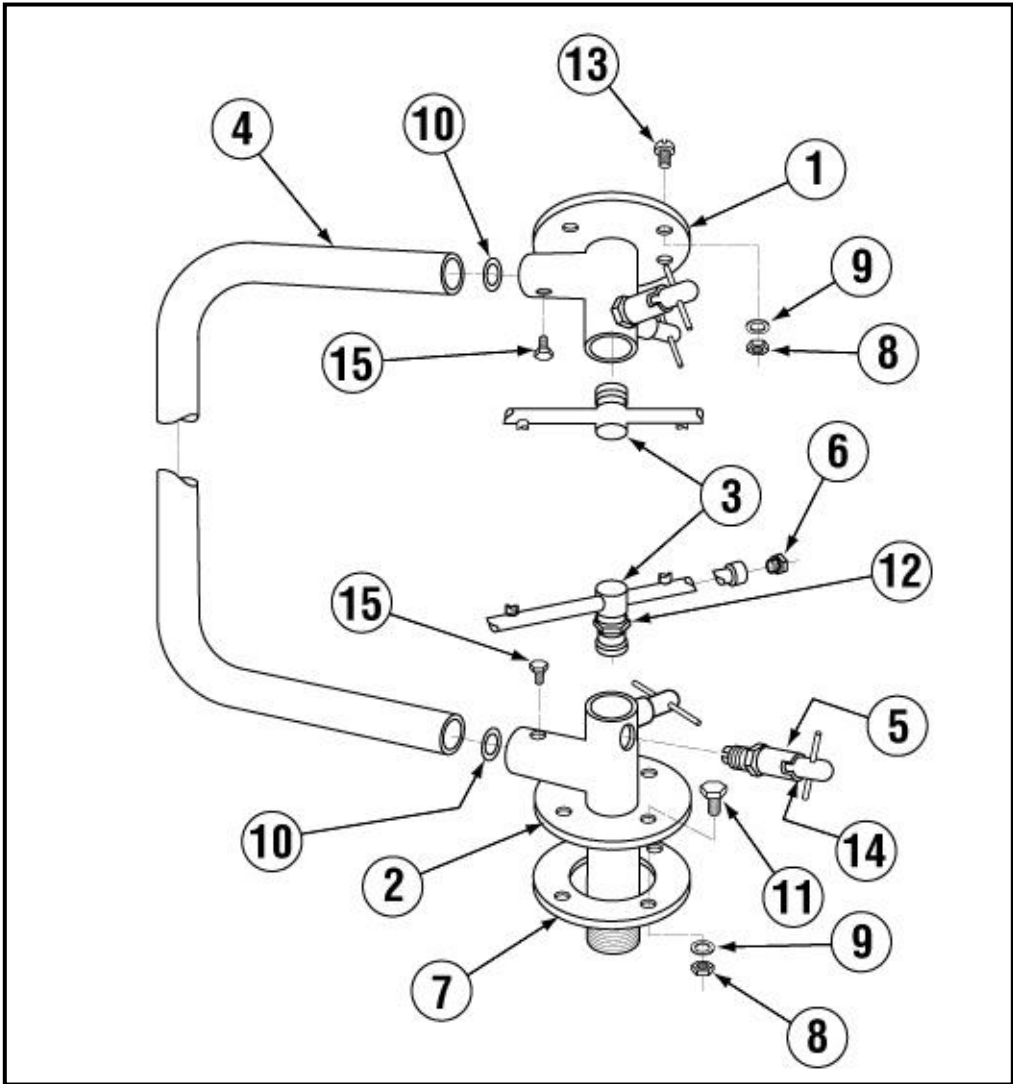


ITEM NO.	NO. REQ'D	P/N	DESCRIPTION
1	4	00914.00	1/4-20 X 3/4 Hexhead Bolt
2	9	00924.00	1/4 SS Washer
3	4	00912.00	1/4-20 Nylon Lock Nut
4	1	00966.10	10-32 X 1/4 Hexhead SS Bolt
5	4	00342.00	ES Spray Arm Bearing
6	4	00310.50	ES Spray Arm Short (6 Jets)
7	4	00308.50	Spray Arm End Plug SS
8	1	00305.44	ES-PB Manifold w/ Upper Spray

ITEM NO.	NO. REQ'D	P/N	DESCRIPTION
8A	1	00305.45	CB-L Tall Manifold
8B	1	00305.46	CB-R Tall Manifold
9	1	04306.00	Square Manifold Gasket
10	1	00905.82	1/4-20 X 3/8 Truss Head Bolt
11	2	00357.43	ES-B Lower Spray Base
12	4	00363.00	Spray Base Lock Pin*
13	4	00302.51	O-Ring Spray Base
14	1	00363.10	Lock Arm Spring

* Includes item 14, P/N 00363.10

1.2.17. Spray System Assembly for Model C



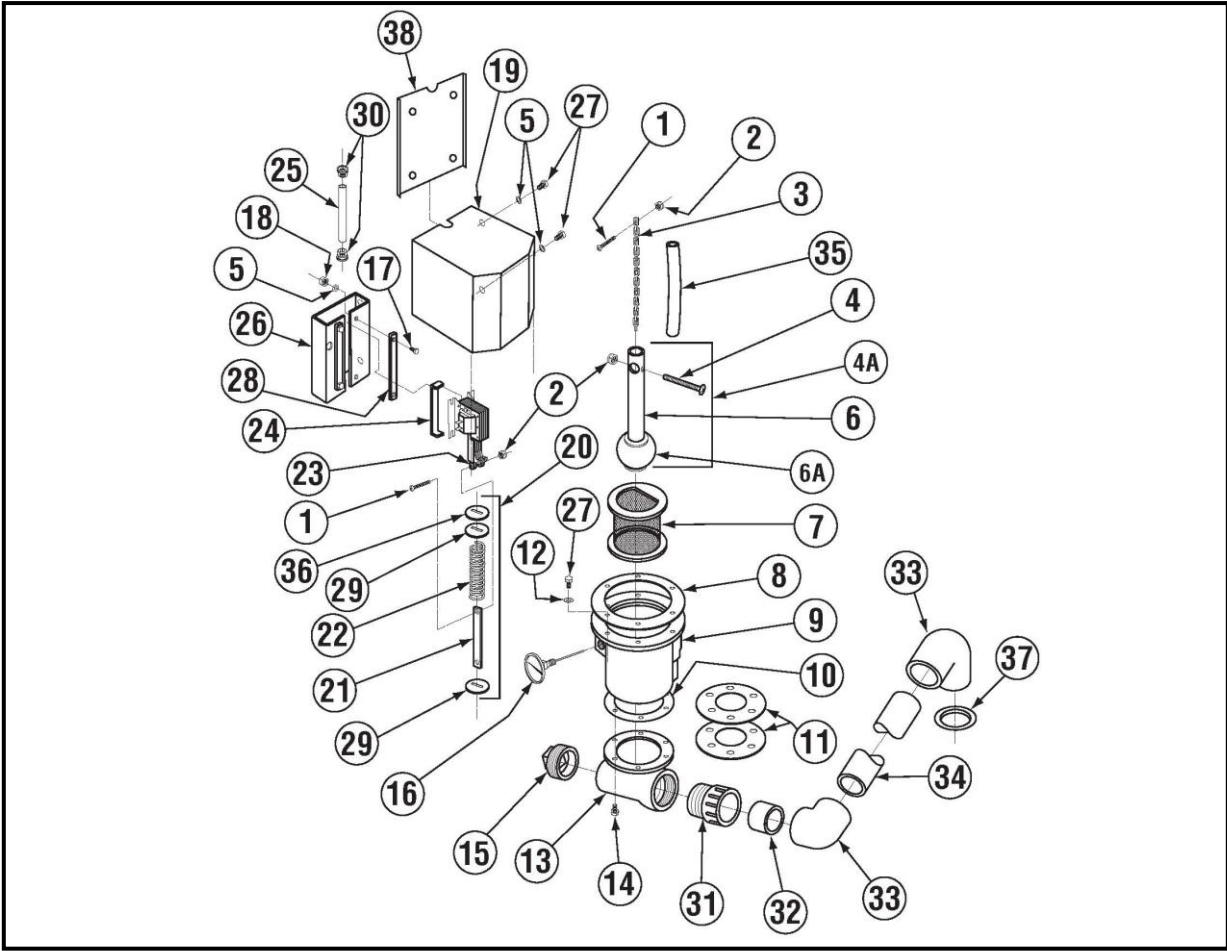
ITEM NO.	NO. REQ'D	P/N	DESCRIPTION
1	1	00361.10	Upper Spray Base, SS*
2	1	00360.10	Lower Spay Base, SS*
3	2	00304.07	Spray Arm A/C Series
4	1	00303.34	Manifold, C
5	4	00363.00	Spray Base Lock Pin**
6	4	00308.50	Spray Arm End Plug
7	1	00302.00	Spray Base Gasket
8	8	00912.00	1/4 Nylon Lock Nut

ITEM NO.	NO. REQ'D	P/N	DESCRIPTION
9	16	00924.00	1/4" SS Washer
10	2	00302.51	O-Ring Spray Base
11	4	00914.10	1/4"-20 x 5/8" Hexhead Bolt
12	2	00341.00	Spray Arm Bearing
13	4	00929.00	1/4"-20 x 3/4" Trusshead Bolt
14	1	00363.10	Lock Arm Spring
15	2	00966.10	10-32 x 1/4" Hexhead Bolt

* Includes item 5, P/N [00363.00](#)

** Includes item 14, P/N [00363.10](#)

1.2.18. Drain System Assembly for Model AH and C

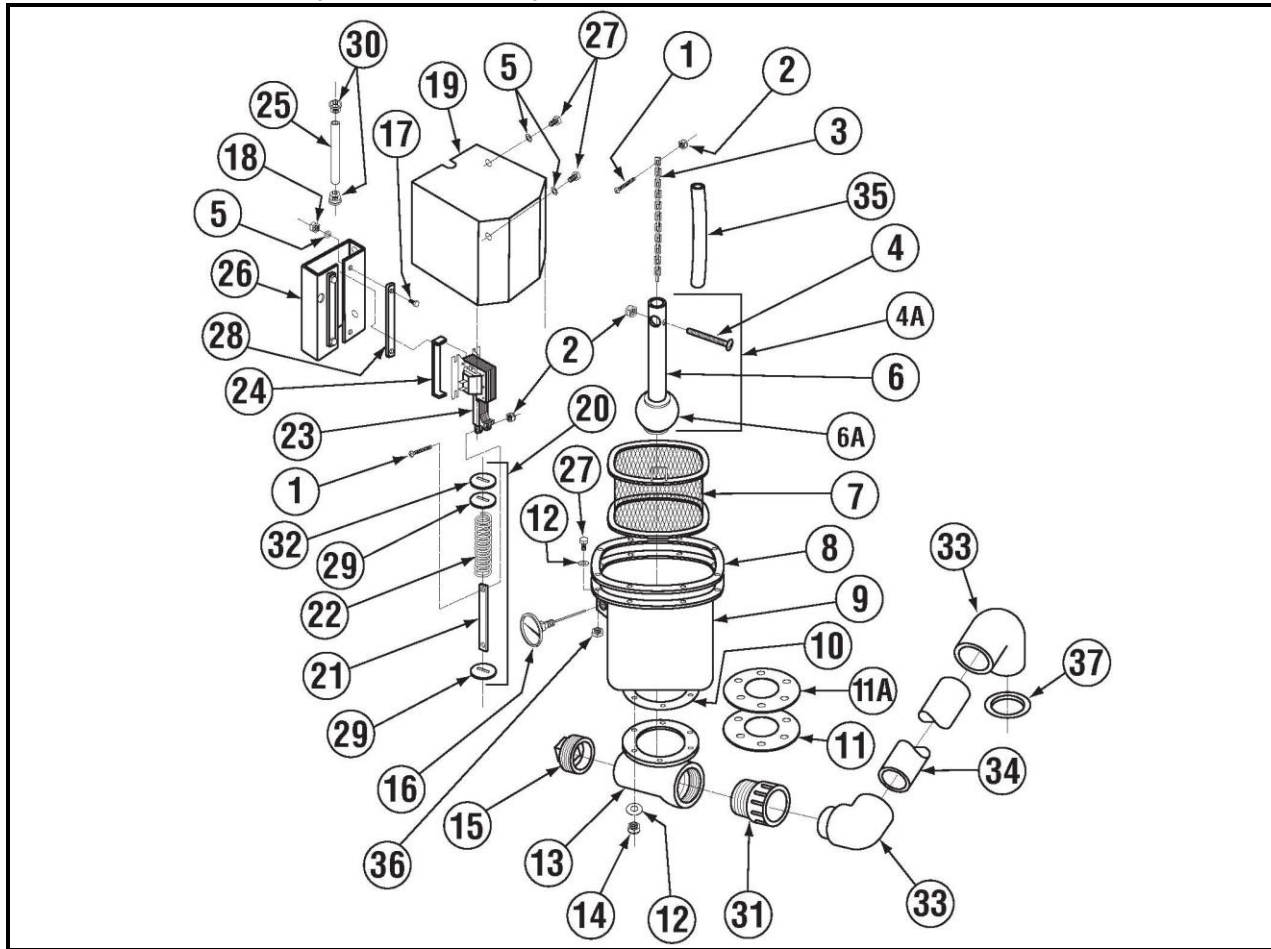


ITEM NO.	NO. REQ'D	P/N	DESCRIPTION
1	2	03812.00	8-32 x 5/8" Pan Head Screw
2	3	00927.00	8-32 Nylon Lock Nut
3	1	00110.07	Chain
4	1	00902.00	8-32 x 1-1/4" Pan Head Screw
4A*	1	00121.40	Drain Ball Assy.
5	6	00922.00	1/4" Lock Washer, Star
6	1	00121.56	Drain Ball Tube
6A	1	00121.41	Drain Ball Dome, Silicon
7	1	00115.08	Drain Screen Assembly
8	1	00112.06	Drain Sump Gasket
9	1	00111.26	Drain Sump
10	1	00114.00	Drain-Tee Gasket
11	1	00124.50	SS Drain Ball Seat (Optional)
	(Opt)	00125.00	Rubber Drain Ball Seat (Optional)
12	6	00924.00	1/4" SS Washer
13	1	00113.50	Drain-Tee
14	6	00920.00	5/16"-18 x 3/4" Screw
15	1	00130.00	1-1/2" PVC Drain-Tee End Plug
16	1	00120.02	Thermometer
17	4	00914.00	1/4"-20 x 3/4" Hex Head Screw
18	4	00923.00	1/4-20 Nut w/ Grip Washer

ITEM NO.	NO. REQ'D	P/N	DESCRIPTION
19	1	01507.50	Solenoid Cover, A, B, C
20**	1	00122.00	Drain Solenoid Spring Assembly
21	1	01551.00	Solenoid Link
22	1	00105.00	Solenoid Spring
23	1	00100.40	Solenoid
24	1	01550.00	Solenoid Stop
25	1	00464.64	3/8" Solenoid Tubing AH/C
26	1	00102.00	Solenoid Base
27	1	00906.00	1/4"x20x1/2" Hex Head Bolt
28	2	00103.00	Solenoid Bar
29	2	00106.00	Split Washer (Large)
30	2	00936.00	312-250 Shorty Bushing
31	1	01313.00	2" PVC Slip x MPT Adapter
32	1	05030.10	2" x 3" PVC Tubing
33	2	01311.00	2" 90 Deg. Elbow, Slip x Slip
34	1	05030.20	2" x 8" PVC Tubing
35	1	41019.11	1/2" ID x 9" Clear Hose
36	1	00105.20	Drain Solenoid Linkage Washer
37	1	01318.00	Scrap Trap Donut Gasket
38	1	00122.60	Solenoid Base Back Plate For Corners

*Includes items 6 and 6A **Includes items 1, 2, 21, 22, 29 and 36

1.2.19. Drain System Assembly for Model B



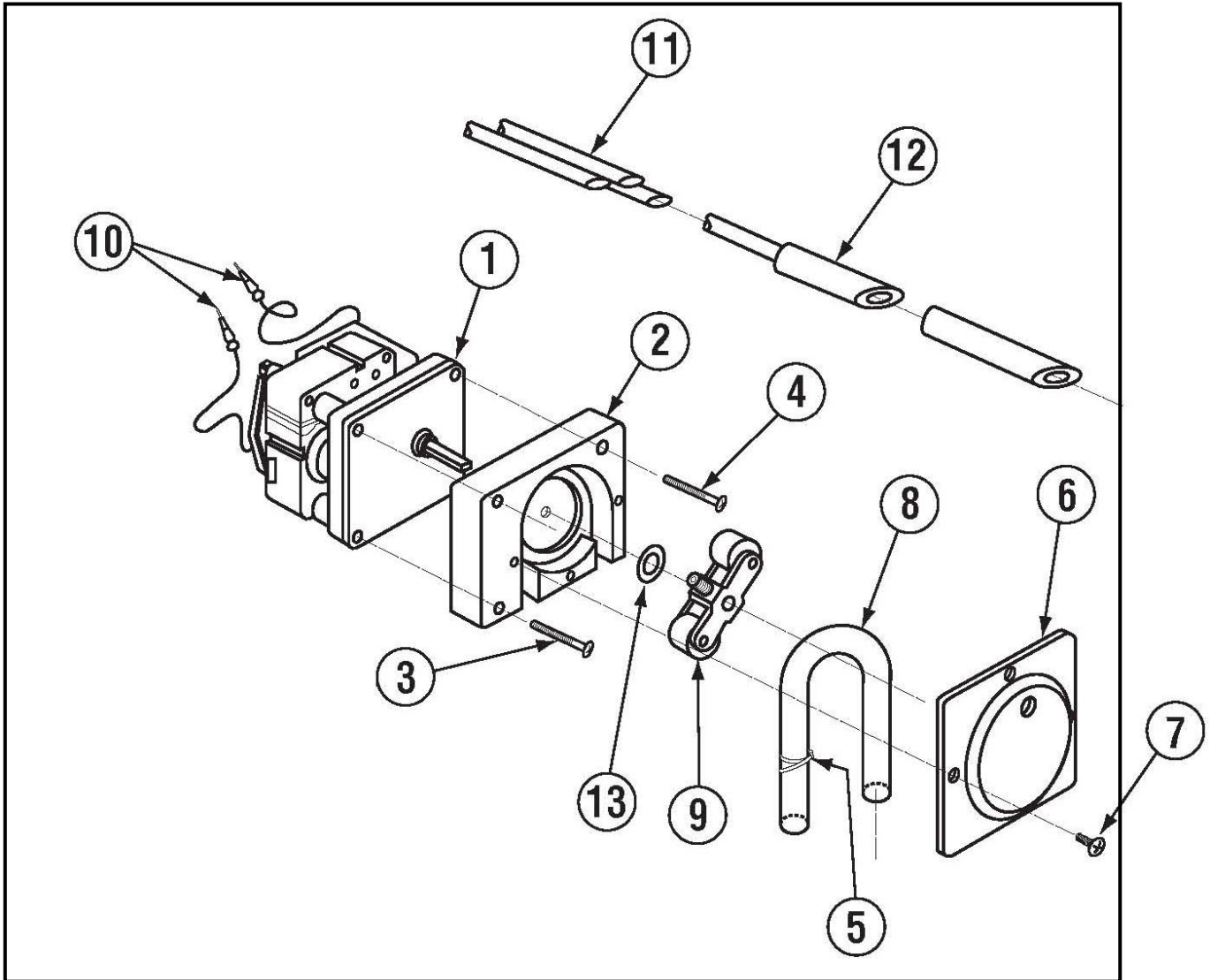
ITEM NO.	NO. REQ'D	P/N	DESCRIPTION
1	2	03812.00	8-32 x 5/8" Pan Head Screw
2	3	00927.00	8-32 Nylon Lock Nut
3	1	00110.07	Chain
4	1	00902.00	8-32 x 1-1/4" Pan Head Screw
4A*	1	00121.40	Drain Ball Assy.
5	6	00922.00	1/4" Lock Washer, Star
6	1	00121.56	Drain Ball Tube
6A	1	00121.41	Drain Ball Dome, Silicon
7	1	00115.30	Drain Sump Screen B
8	1	00112.03	Drain Sump Gasket B
9	1	00111.03	Drain Sump B
10	1	00114.00	Drain-Tee Gasket
11	1 (Opt)	00124.50	SS Drain Ball Seat (Optional)
		00125.00	Rubber Drain Ball Seat (Optional)
12	14	00924.00	1/4" SS Washer
13	1	00113.50	Drain-Tee
14	6	00915.00	1/4"x20 SS nut
15	1	00130.00	1-1/2" PVC Drain-Tee End Plug
16	1	00120.02	Thermometer
17	4	00914.00	1/4"-20 x 3/4" Hex Head Screw

*Includes items 6 and 6A

ITEM NO.	NO. REQ'D	P/N	DESCRIPTION
18	4	00923.00	1/4-20 Nut w/ Grip Washer
19	1	01507.50	Solenoid Cover, A, B, C
20**	1	00122.00	Drain Solenoid Spring Assembly
21	1	01551.00	Solenoid Link
22	1	00105.00	Solenoid Spring
23	1	00100.00	Solenoid
24	1	01550.00	Solenoid Stop
25	1	00464.63	3/8" Solenoid Tubing B
26	1	00102.00	Solenoid Base
27	1	00906.00	1/4"x20x1/2" Hex Head Bolt
28	2	00103.00	Solenoid Bar
29	2	00106.00	Split Washer (Large)
30	2	00936.00	3/12-250 Shorty Bushing
31	1	01313.00	2" PVC Slip x MPT Adapter
32	1	00105.20	Drain Solenoid Linkage Washer
33	2	01311.00	2" 90 Deg. Elbow, Slip x Slip
34	1	05030.20	2" x 8" PVC Tubing
35	1	41019.11	1/2" ID x 9" Clear Hose
36	6	00912.00	1/4"-20 Nylon Lock Nut
37	1	01318.00	Scrap Trap Donut Gasket

**Includes items 1, 2, 21, 22, 29 and 32

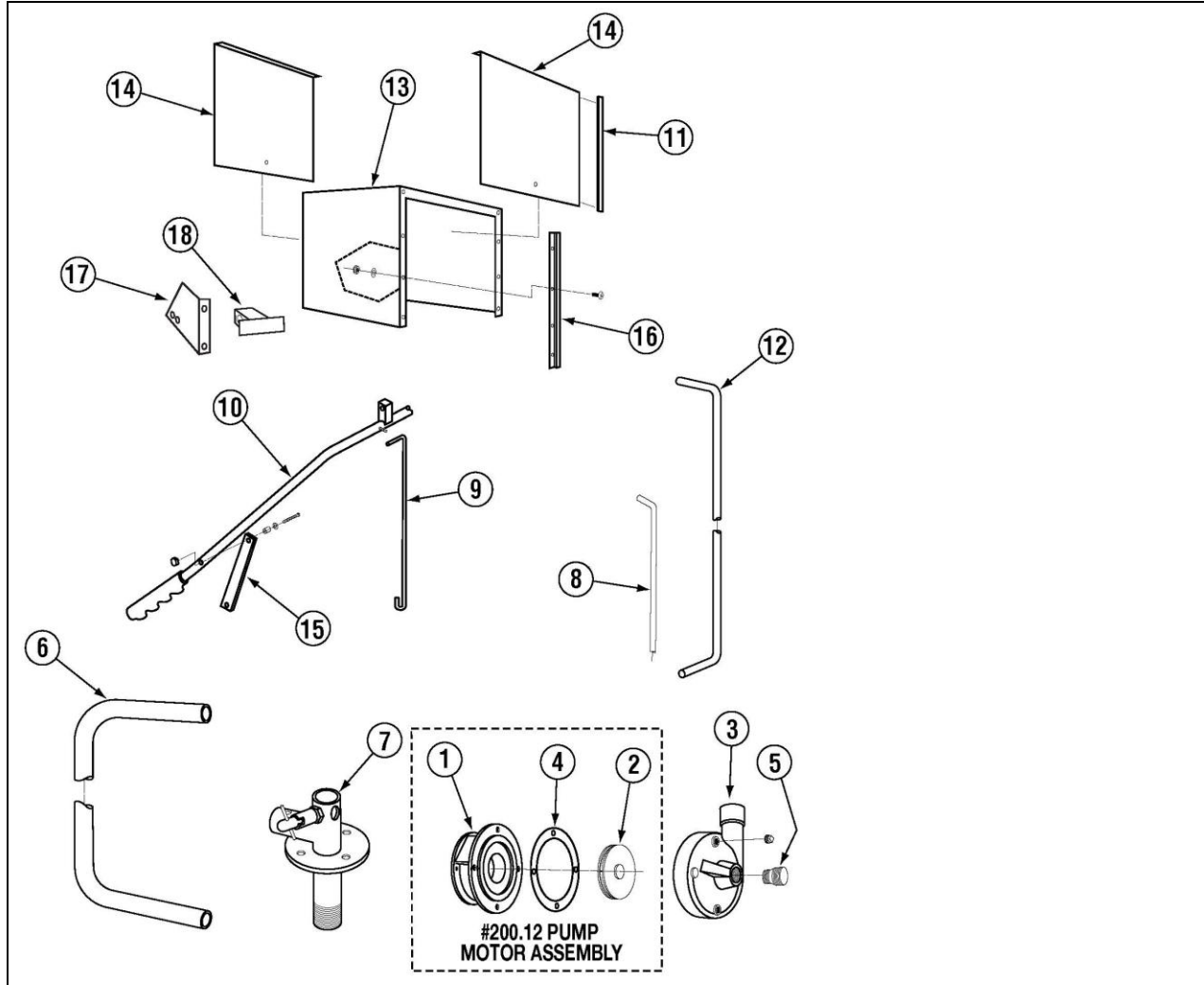
1.2.20. Peristaltic Pump Assembly



ITEM NO.	NO. REQ'D	P/N	DESCRIPTION
1	1	00416.00	Peristaltic Pump Motor
2	1	00417.10	Peristaltic Pump Block
3	2	00919.00	10-32 x 1-1/2" Pan Head Screw
4	1	00918.00	10-32 x 1-1/2" Fillister Head Screw
5	6	00932.00	Twist Tie
6	1	00418.00	Peristaltic Pump Block Cover
7	4	00911.00	8-32 x 1/2" Pan Head Screw

ITEM NO.	NO. REQ'D	P/N	DESCRIPTION
8	1	02257.00	Squeeze Tube
9	1	00419.00	2-Bearing Rotor Assembly
10	2	00448.00	Barrel Connector, Male
11	1	00425.51	Chemical Tubing, Blue
	1	00425.53	Chemical Tubing, Red
	1	00425.54	Chemical Tubing, White
12	3	00443.00	Tube Stiffener
13	1	00422.50	Rotor Spacer

1.2.21. Unique Parts For Scullery AH

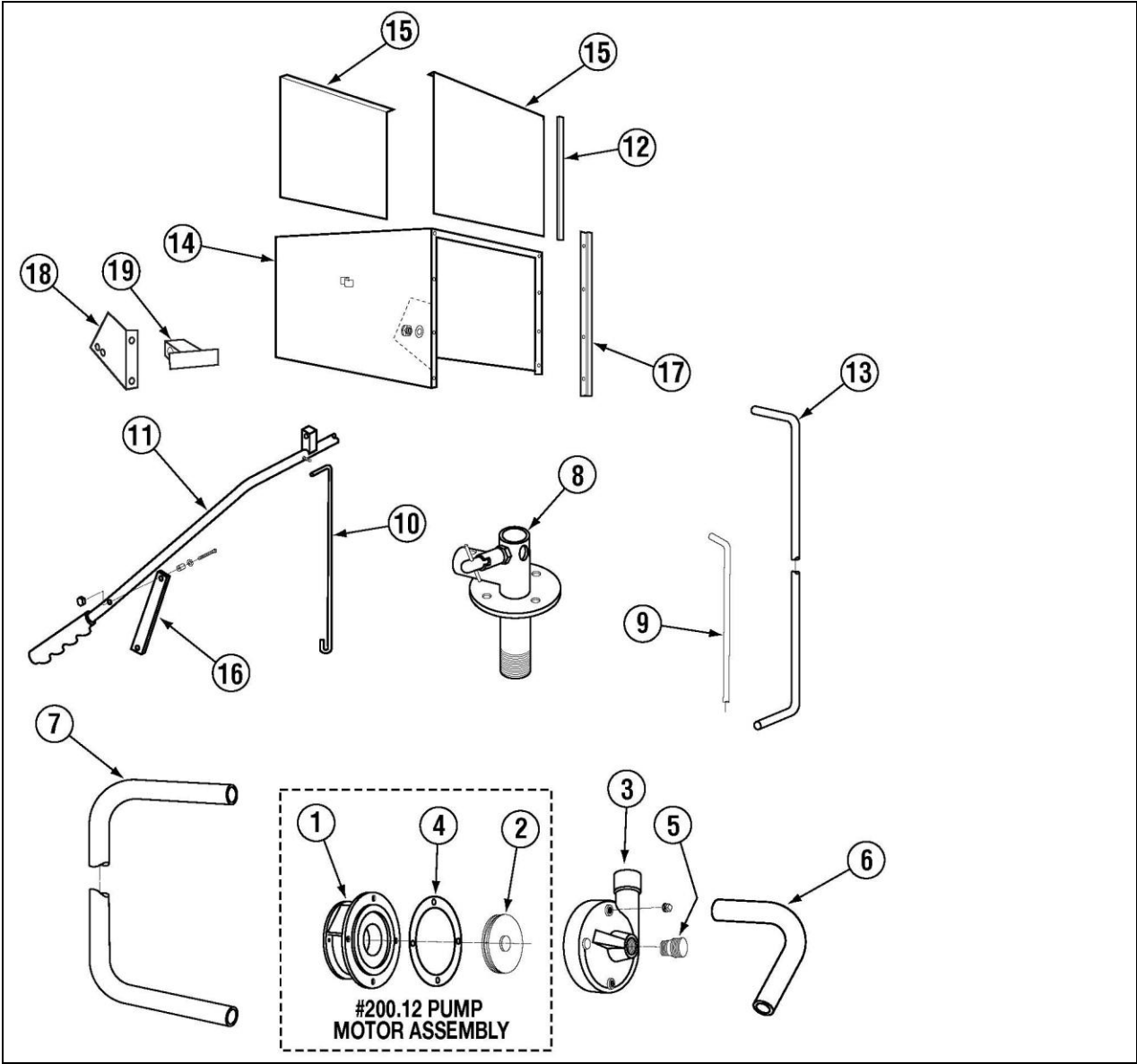


ITEM NO.	NO. REQ'D	P/N	DESCRIPTION
1	1	00202.00	Pump Base
2	1	00203.05	(Impeller) 4 1/2"
3	1	00204.00	Pump Cover Large
4	1	00205.00	Pump Gasket
5	1	00212.50	1 1/2" - 1 1/4" Adapter
6	1	00303.22	Manifold Scullary AH
7	1	00364.10	Lower Spray Base LP Short Assy
8	1	00464.22	SS Tubing For Sol. Wire (Scull AH)
9	2	00603.63	Door Spring Ext Rod UW & Scull

ITEM NO.	NO. REQ'D	P/N	DESCRIPTION
10	1	00613.22	Door Handle (Scullary)
11	4	00636.30	EZ Glide Plastic Dr Guide 31 3/4"
12	1	00795.12	Flush Tube (Scullary AH)
13	1	01500.22	Wrapper (Scullary-AH)
14	2	01506.20	Door (Scullary & CWS)
15	2	01553.20	Door Handle Link (S)
16	4	01554.50	EZ Glide Door Guide SS 33"
17	1	00563.40	Door Switch Bracket (8-08)
18	1	00563.43	Door Switch Actuator CMA-180T (1-10)

1, 2, 4 included in pump assy. # 200.12

1.2.22. Unique Parts For Scullery B

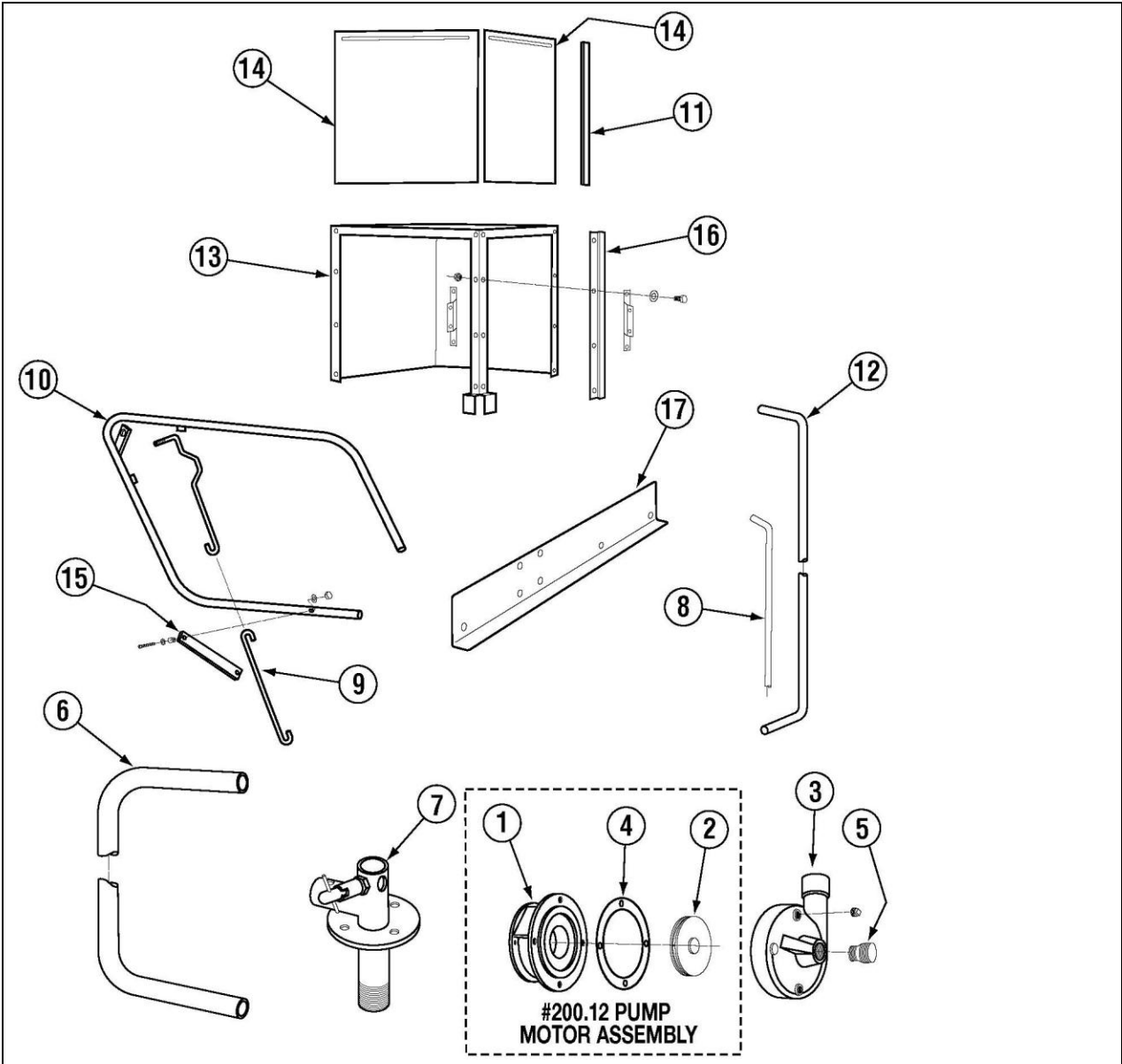


ITEM NO.	NO. REQ'D	P/N	DESCRIPTION
1	2	00202.00	Pump Base
2	2	00203.05	(Impeller) 4 1/2"
3	2	00204.00	Pump Cover Large
4	2	00205.00	Pump Gasket
5	2	00212.50	1 1/2" - 1 1/4" Adapter
6	1	00246.27	Suction Pipe Scull B Right
7	2	00303.23	Manifold Scullery B
8	2	00364.10	Lower Spray Base LP Short Assy
9	1	00464.23	SS Tubing For Sol. Wire (Scull B)
10	2	00603.63	Door Spring Ext Rod UW & Scull

ITEM NO.	NO. REQ'D	P/N	DESCRIPTION
11	1	00613.23	Door Handle (Scullery)
12	4	00636.30	EZ Glide Plastic Dr Guide 31 3/4"
13	1	00795.13	Flush Tube (Scullery B)
14	1	01500.23	Wrapper (Scullery-B)
15	2	01506.20	Door (Scullery & CWS)
16	2	01553.20	Door Handle Link (S)
17	4	01554.50	EZ Glide Door Guide SS 33"
18	1	00563.40	Door Switch Bracket (8-08)
19	1	00563.43	Door Switch Actuator CMA-180T (1-10)

1, 2, 4 included in pump assy. # 200.12

1.2.23. Unique Parts For Scullery C



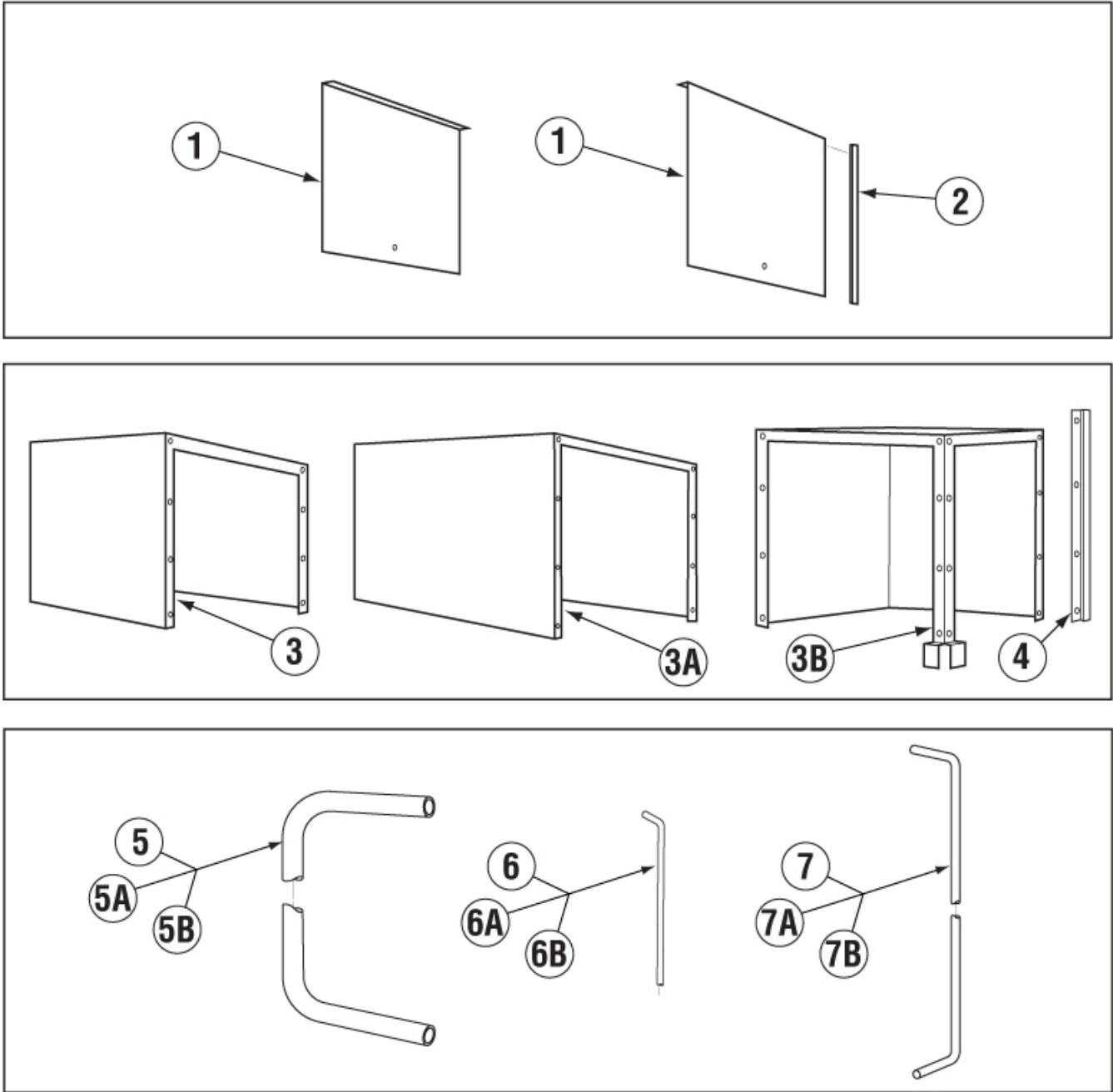
ITEM NO.	NO. REQ'D	P/N	DESCRIPTION
1	1	00202.00	Pump Base
2	1	00203.05	(Impeller) 4 1/2"
3	1	00204.00	Pump Cover Large
4	1	00205.00	Pump Gasket
5	1	00212.50	1 1/2" - 1 1/4" Adapter
6	1	00303.24	Manifold Scullery Corner
7	1	00364.10	Lower Spray Base LP Short Assy
8	1	00464.24	SS Tubing For Sol. Wire (Scull C)
9	1	00604.24	Door Extension Link (Scull C)

ITEM NO.	NO. REQ'D	P/N	DESCRIPTION
10	1	00613.34	Door Handle Scullery Corner
11	4	00636.30	EZ Glide Plastic Dr Guide 31 3/4"
12	1	00795.14	Flush Tube (Scullery C)
13	1	01500.24	Wrapper (Scullery-C)
14	2	01506.20	Door (Scullery & CWS)
15	2	01553.20	Door Handle Link (S)
16	4	01554.50	EZ Glide Door Guide SS 33"
17	2	01500.27	Scullery C Wrapper Brace

1, 2, 4 included in pump assy. # 200.12

Parts Manual

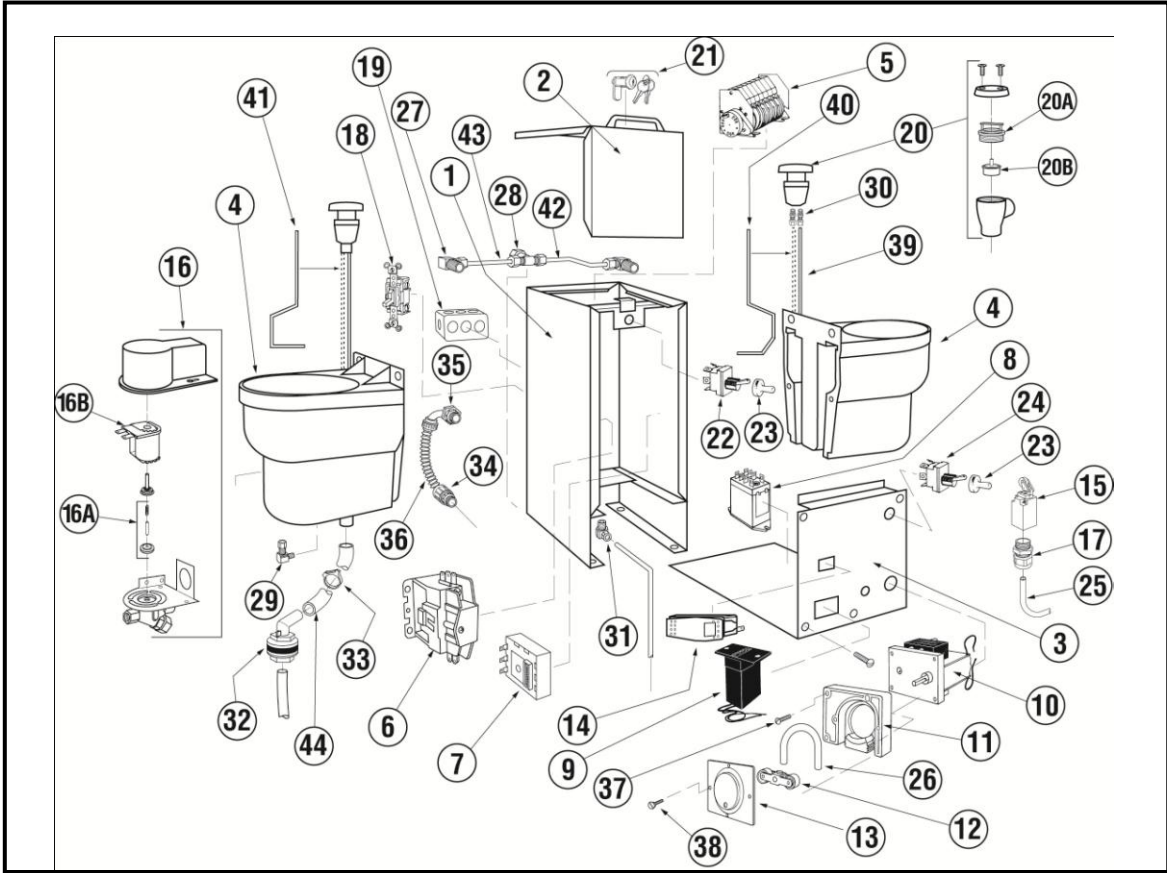
1.2.24. Unique Parts For Pizza Machines



ITEM NO.	NO. REQ'D	P/N	DESCRIPTION
1	2	17506.00	CMA-180/ Pizza Door
2	4	00636.17	EZ Glide Door Guide 26 1/4"
3	1	01530.12	Wrapper AH (Pizza)
3A	1	01530.22	Wrapper B (Pizza)
3B	1	01530.64	Wrapper C (Pizza)
4	4	17554.00	CMA-180/ Pizza Door Guide
5	1	00303.62	Manifold AH (Pizza)
5A	2	00303.63	Manifold B (Pizza)

ITEM NO.	NO. REQ'D	P/N	DESCRIPTION
5B	1	00303.64	Manifold C (Pizza)
6	1	00464.62	SS Tubing - AH Pizza (Sole Wire)
6A	1	00464.63	3/8 SS Tubing - B Pizza (Sole Wire)
6B	1	00464.64	3/8 SS Tubing - C Pizza (Sole Wire)
7	1	00795.62	Flush Tube AH Pizza
7A	1	00795.63	Flush Tube B Pizza
7B	1	00795.64	Flush Tube C Pizza

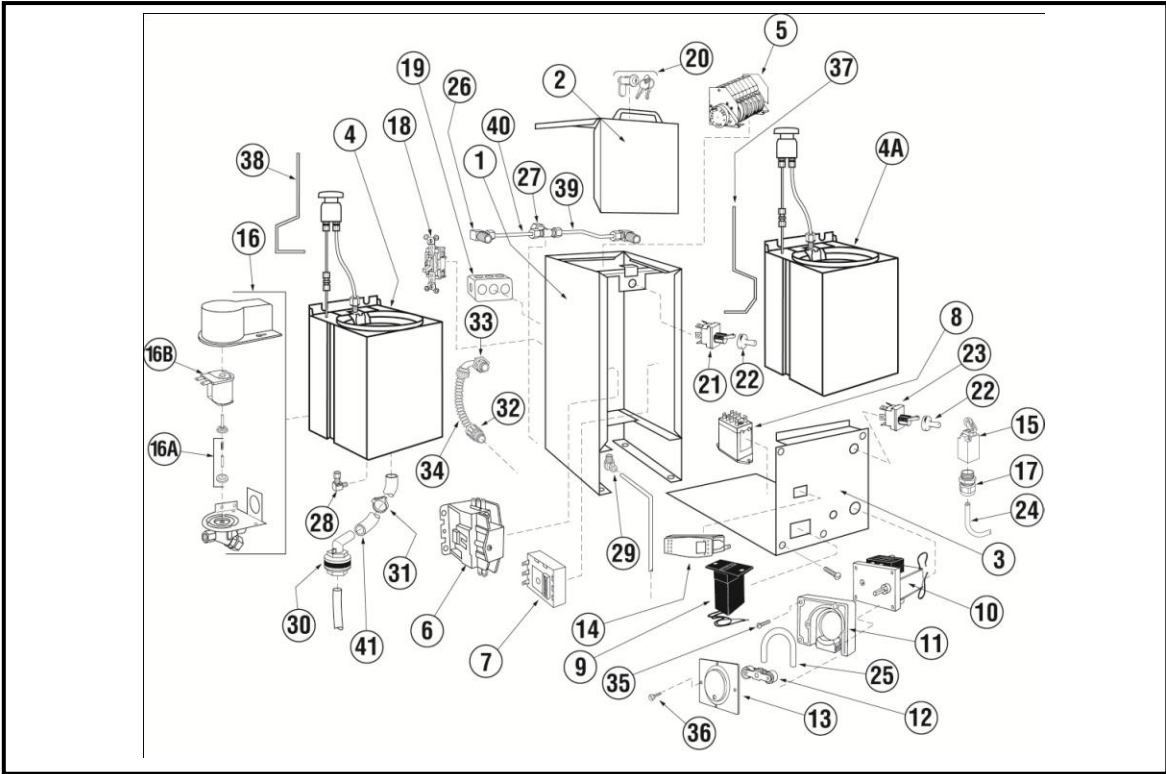
1.3. Optional Solid Bowl CMA (Exploded View)



ITEM NO.	NO. REQ'D	P/N	DESCRIPTION
1	1	01503.20	Solid Bowl Control Box
2	1	01504.20	Solid Bowl Control Box Lid
3	1	01503.25	Solid Bowl Slideout Tray
4	2	00461.00	Solid Bowl Dm #6000
5	1	00407.80	Timer, 90-sec. 8-cam
6	1*	00404.82	Motor Contactor, 120V *No. Req'd for Model B is 2
7	1	00630.50	Solid Detergent/Rinse Timer Relay
8	1	00631.00	Ice Cube Relay
9	1	03408.50	Counter (Panel Mount, Small)
10	1	00416.00	Peri-Pump Motor
11	1	00417.10	Peri-Pump Block
12	1	00419.00	Peri-Pump Rotor
13	1	00418.00	Peri-Pump Cover
14	1	00421.40	Start/Fill Switch with Amber Light
15	1	00562.00	Roller Door Switch
16	2	41015.00	Water Solenoid Valve, 1/4", 120V
16A	2	41015.40	1/4" Water Solenoid Valve Repair Kit
16B	2	41015.60	1/4" Water Solenoid Valve Coil
17	1	00562.60	Connector for Roller Switch
18	1	00433.10	Master Switch, 20 Amp
19	1	03420.00	Electrical Bell Box
20	2	40110.50	Solid Bowl, 1/4" Vacuum Breaker
20A	2	40110.25	Vacuum Breaker Bonnet
20B	2	40110.10	Vacuum Breaker Repair Kit

ITEM NO.	NO. REQ'D	P/N	DESCRIPTION
21	1	00449.00	Lock and Key
22	1	00475.00	Delimiter Switch
23	2	00470.10	Toggle Switch Rubber Boot
24	1	03470.00	Primer Switch
25	1	00546.00	18 AWG Switch Cord, 3 Feet
26	1	02257.00	Squeeze Tube
27	4	40112.00	1/4" Comp x 1/4" MIP Elbow
28	1	40116.10	1/4" TB x TB x TB Comp Tee
29	2	40118.00	1/4" Comp 1/8" MIP 90 Deg Elbow
30	4	40116.00	1/4" x 1/4" MIP Fitting
31	1	00436.00	3/8" 90 Deg Comp x MIP
32	2	40114.00	77 Deg Elbow, Bulkhead
33	2	40111.00	7/8" to 1" Snap Hose Clamp
34	4	00401.50	3/8" Black Nylon Straight Connector
35	2	00402.00	St. 90 Deg 3/8" Connector
36	1	00400.50	3/8" Black Flex Tubing, 2 Feet
37	2	00919.00	10-32 x 1-1/2" Panhead Bolt
38	4	00911.00	8-32 x 1/2" Panhead Screw
39	2	40110.30	1/4" Water Line, Vac. Breaker To Bowl
40	1	40110.35	1/4" Water Line, Wtr Sol. To Vac. Brk (R)
41	1	40110.40	1/4" Water Line, Wtr Sol. To Vac. Brk (L)
42	1	41016.00	1/4" Water Line, Tee to Water Sol. (R)
43	1	41016.10	1/4" Water Line, Tee to Water Sol. (L)
44	1	04603.00	5/8 ID x 7/8 OD CV Tubing

1.4. Optional Solid Bowl Sunburst Chemicals (AH and C)



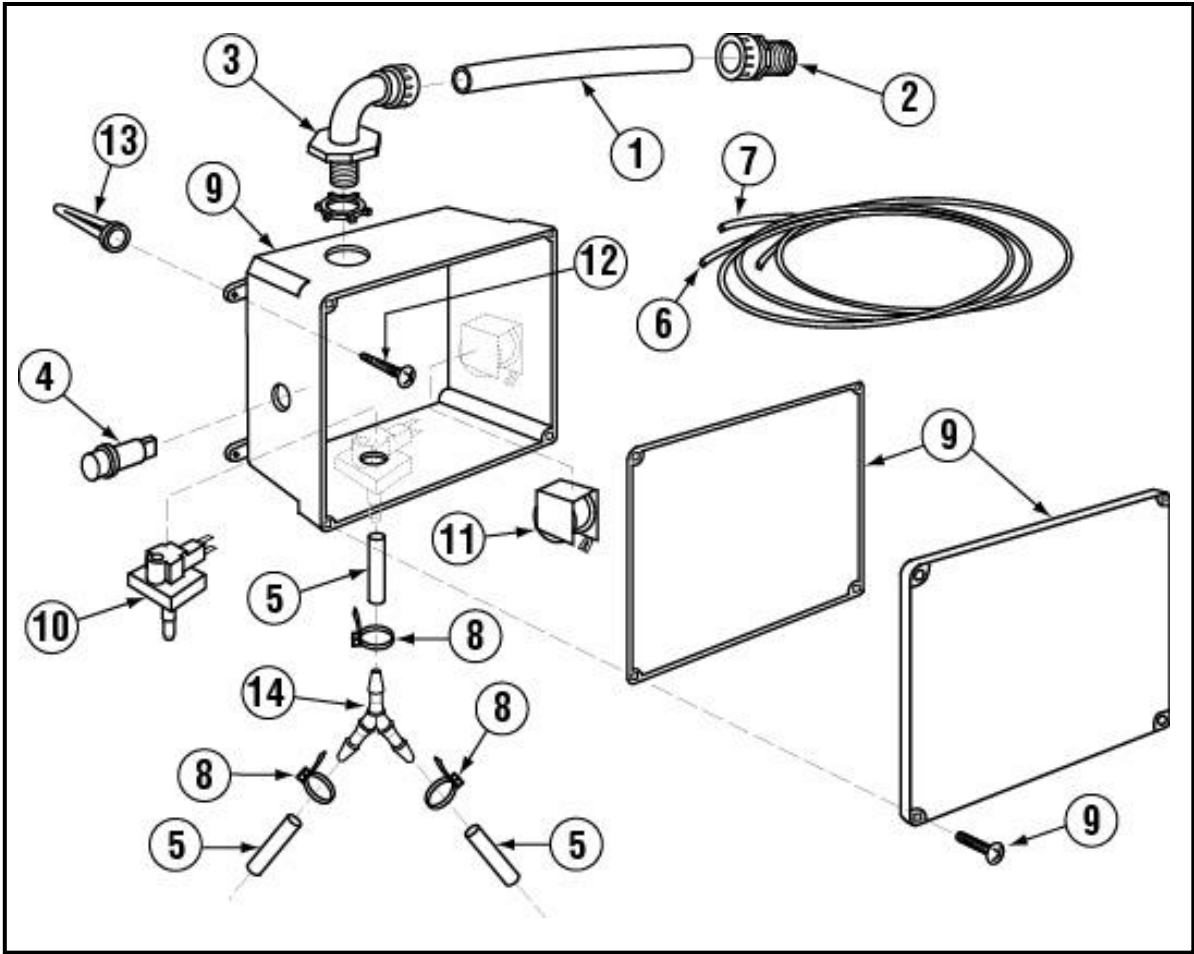
ITEM NO.	NO. REQ'D	P/N	DESCRIPTION
1	1	01503.20	Solid Bowl Control Box
2	1	01504.20	Solid Bowl Control Box Lid
3	1	01503.25	Solid Bowl Slideout Tray
4	1	18639.00	Detergent Bowl Kit
4A	1	18639.50	Rinse Bowl Kit
5	1	00407.80	Timer, 90-sec. 8-cam
6	1*	00404.82	Motor Contactor, 120V
7	1	00630.50	Solid Detergent/Rinse Timer Relay
8	1	00631.00	Ice Cube Relay
9	1	03408.50	Counter (Panel Mount, Small)
10	1	00416.00	Peri-Pump Motor
11	1	00417.10	Peri-Pump Block
12	1	00419.00	Peri-Pump Rotor
13	1	00418.00	Peri-Pump Cover
14	1	00421.40	Start/Fill Switch with Amber Light
15	1	00562.00	Roller Door Switch
16	2	41015.00	Water Solenoid Valve, 1/4", 120V
16A	2	41015.40	1/4" Water Solenoid Valve Repair Kit
16B	2	41015.60	1/4" Water Solenoid Valve Coil
17	1	00562.60	Connector for Roller Switch
18	1	00433.10	Master Switch, 20 Amp
19	1	03420.00	Electrical Bell Box

*No. Req'd for Model B is 2

ITEM NO.	NO. REQ'D	P/N	DESCRIPTION
20	1	00449.00	Lock and Key
21	1	00475.00	Delimiter Switch
22	2	00470.10	Toggle Switch Rubber Boot
23	1	03470.00	Primer Switch
24	1	00546.00	18 AWG Switch Cord, 3 Feet
25	1	02257.00	Squeeze Tube
26	4	40112.00	1/4" Comp x 1/4" MIP Elbow
27	1	40116.10	1/4" TB x TB x TB Comp Tee
28	2	40118.00	1/4" Comp 1/8" MIP 90 Deg Elbow
29	1	00436.00	3/8" 90 Deg Comp x MIP
30	2	40114.00	77 Deg Elbow, Bulkhead
31	2	40111.00	7/8" to 1" Snap Hose Clamp
32	4	00401.50	3/8" Black Nylon Straight Connector
33	2	00402.00	St. 90 Deg 3/8" Connector
34	1	00400.50	3/8" Black Flex Tubing, 2 Feet
35	2	00919.00	10-32 x 1-1/2" Panhead Bolt
36	4	00911.00	8-32 x 1/2" Panhead Screw
37	1	40110.35	1/4" Water Line, Wtr Sol. To Vac. Brk (R)
38	1	40110.40	1/4" Water Line, Wtr Sol. To Vac. Brk (L)
39	1	41016.00	1/4" Water Line, Tee to Water Sol. (R)
40	1	41016.10	1/4" Water Line, Tee to Water Sol. (L)
41	1	04603.00	5/8 ID x 7/8 OD CV Tubing

1.5. Optional Sani Alarm (Exploded View)

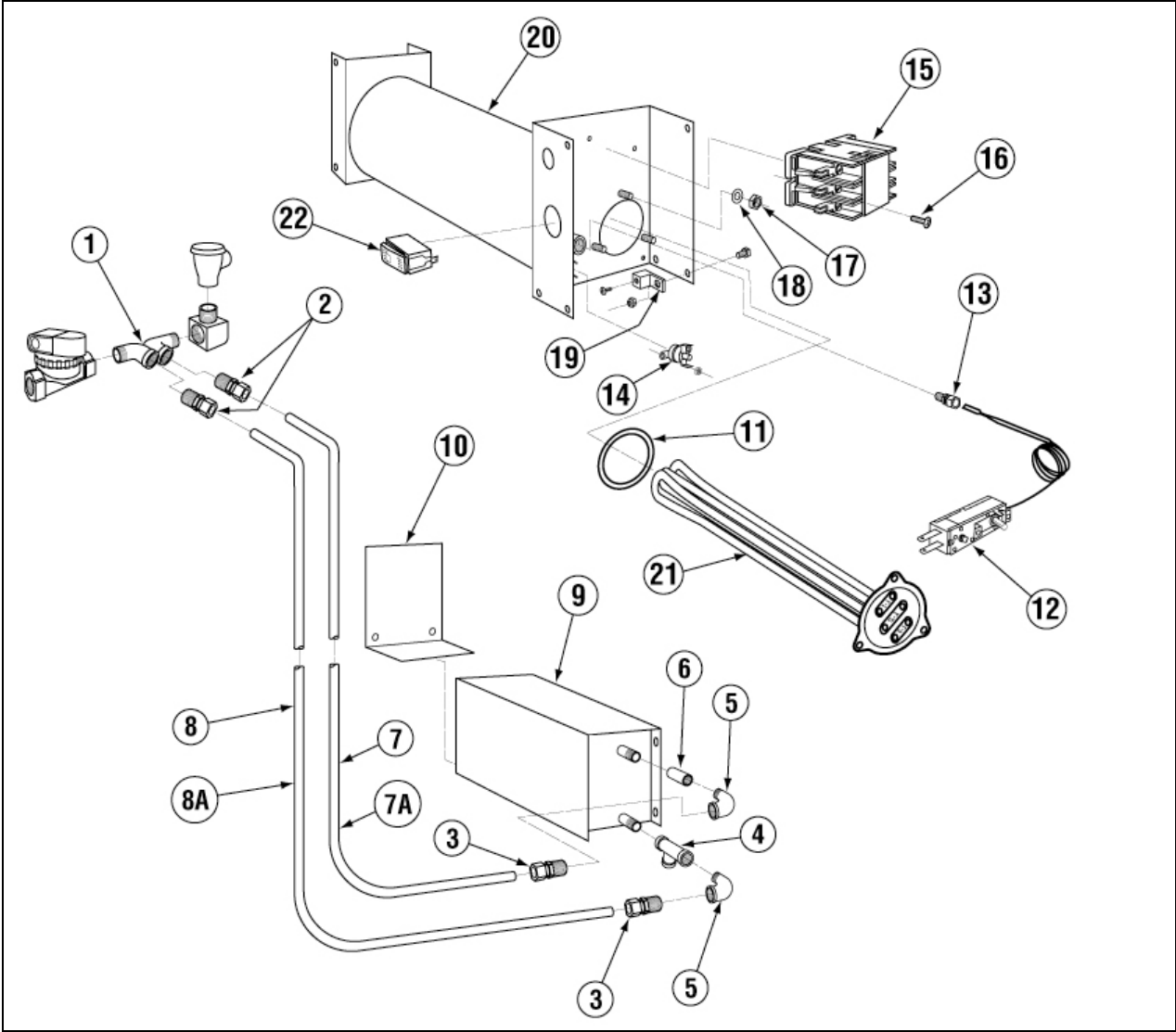
Part Number **12508.00**



ITEM NO.	NO. REQ'D	P/N	DESCRIPTION
1	3	00400.00	Conduit, 3/8" Sealtite
2	1	00401.00	S.T. 3/8" Straight Connector
3	1	00402.00	S.T. 90 Degree 3/8" Connector
4	1	00406.00	Control Box Light, .5" Diameter, Red
5	1	00435.00	Squeeze Tube, 8"
6	1	00521.00	Wire, 18 Gauge, Orange, 6 ft.
7	1	00531.00	Wire, 18 Gauge, White, 6 ft.

ITEM NO.	NO. REQ'D	P/N	DESCRIPTION
8	5	00931.00	Wire Tie, Small
9	1	12510.00	Sanitizer Alarm Box Assembly
10	1	12511.50	Sanitizer Low Level Vacuum Switch
11	1	12512.00	Sanitizer Alarm Buzzer, 120 Volts
12	4	40126.10	#10 x 3/4" Sheet metal Screw
13	4	40127.00	Wall Anchors
14	1	00426.00	Y Hose Connector, 3/16"

1.6. Temp-Sure Heater.



ITEM NO.	NO. REQ'D	P/N	DESCRIPTION
1	1	13633.20	Booster Heater 3/4" in/out Adapter
2	2	00761.00	5/8" Comp. x 3/4" MIP Adapter
3	2	00760.00	5/8" Comp. x 1/2" MIP Adapter
4	1	00743.10	1/2" Tee FxFxF Brass
5	1	13620.00	1/2" S.S. Street Elbow
6	1	13618.00	1/2" S.S. Coupling
7	1	00793.00	Tempsure Discharge Line for AH
7A	1	00793.10	Tempsure Discharge Line for C
8	1	00794.00	Tempsure Intake Line for AH
8A	1	00794.10	Tempsure Intake Line for C
9	1	01594.20	3 Sided Heater Tank Shield
10	1	01594.10	Booster Heater Tank Access Cover

ITEM NO.	NO. REQ'D	P/N	DESCRIPTION
11	1	15518.11	Gasket for Triangular Flange Heater
12	1	13417.94	Thermostat for 12 KW Heater (EGO)
13	1	40116.00	1/4 Comp x 1/4 MIP Fitting
14	1	17523.51	Hi-Limit Switch 250 Deg.
15	1	13003.17	Contacter 60 Amp 3 Pole
16	2	00941.00	10-32x5/8" Panhead Screw
17	11	00912.00	1/4-20 Nylon Lock Nut
18	3	00924.00	1/4" S.S. Washer
19	1	13426.50	Ground Block
20	1	01595.40	Heater Tank for Tempsure
21	1	13422.71	240V 12KW Triangular Immersion Htr
22	1	00421.83	CMA-44 Rocker Switch Red