

VULCAN

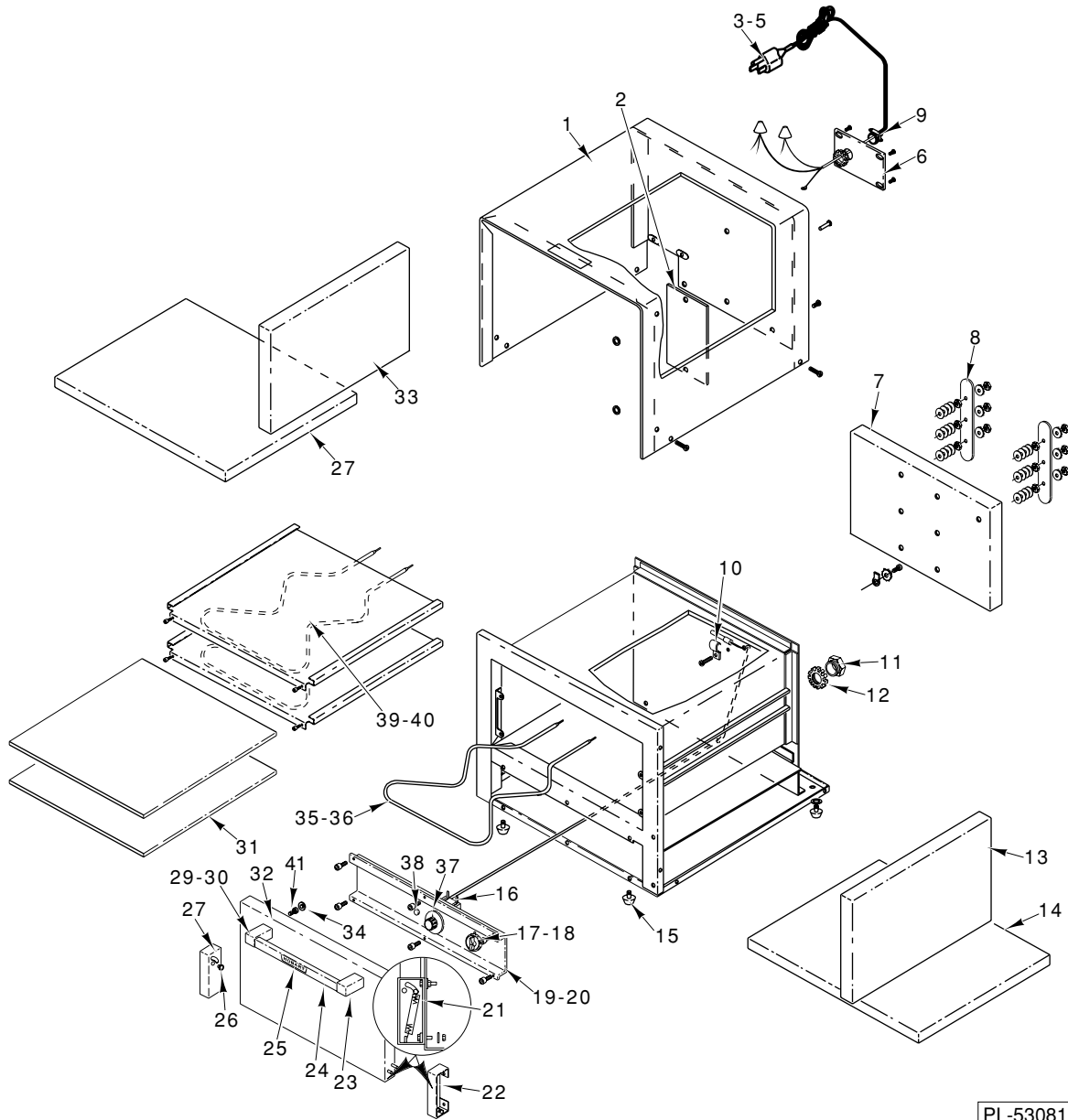
*CATALOG OF
REPLACEMENT PARTS*

*COUNTERTOP DECK OVEN
MODEL CO1717P*

MODEL

CO1717P ML-114941





PL-53081

COUNTERTOP DECK OVEN

COUNTERTOP DECK OVEN

ILLUS. PL-53081	PART NO.	NAME OF PART	AMT.
1	00-825753	Hood Weldment	1
2	00-825983	Insulation - Epoxy	1
3	00-825105-00083	Cord (208/240/220 V.)	1
4	00-825105-00084	Plug (208/240 V.)	1
5	00-825105-00080	Cord Set (120 V.)	1
6	00-825048-00001	Cover - Electrical	1
7	00-826122	Insulation - Back	1
8	00-825365	Bar - Bus	2
9	00-844540	Strain Relief	1
10	00-825105-00077	Clip - Thermostat Bulb	1
11	00-825100-00040	Nut	1
12	00-825100-00030	Nipple - Chase	1
13	00-826121	Insulation - Side	1
14	00-826120	Insulation - Bottom	1
15	00-825105-00010	Feet	4
16	00-825105-00074	Thermostat (680' F)	1
17	00-825128	Knob - Timer	1
18	00-825127-00090	Timer 15 Min.	1
19	00-825105-00092	Panel - Control W/Overlay	1
20	00-825105-00085	Overlay - Panel Control	1
21	00-844529	Spring - Extension	2
22	00-844538	Cover - Hinge Spring (RH)	1
23	00-419764-00002	End Cap R.H.	1
24	00-419765-00003	Handle - Door	1
25	00-419766-000G3	Logo - Door Handle	1
26	00-844530	Bushing - Flange	2
27	00-844539	Cover - Hinge Spring (LH)	1
28	00-826119	Insulation - Top	1
29	00-419764-00001	End Cap L.H.	1
30	00-844536	Spacer - Handle Insulating	2
31	00-825105-00071	Plate-Transide Deck	2
32	00-825105-00075	Door Assy. W/Handle	1
33	00-826121	Insulation - Side	1
34	00-844537	Plug - Snap Hole	2
35	00-825105-00079	Heater - Sheathed (120 V.)	1
36	00-825105-00082	Heater - Sheathed (208/240/220 V.)	1
37	00-825105-00073	Knob - Thermostat	2
38	00-825105-00072	Indicator - Lamp (250 V.)	1
39	00-825105-00078	Deck Heater Assy. (120 V.)	2
40	00-825105-00081	Deck Heater Assy. (208/240/220 V.)	2
41	SC-041-30	Cap Screw 3/8-16 x 1 Hex Hd. SST	2
	00-825105-00076	Door Seal - Replacement	1

NOTES