

OPERATING and MAINTENANCE INSTRUCTIONS

Models: 120-PH and 121-PH Series Proof/Hot Cabinets

Model No.	Volts	Watts	Amps	Hertz	Phase	NEMA
120-PH-1836 121-PH1816	120	2025	16.8	60	1	5-20P
120-PH1836 240 121-PH-1816 240	240	1925	8	60	1	5-15P

All are designed for AC service.

HOW TO INSTALL UNIT:

1. Place cabinet near warm ovens. Do *NOT* put in drafty areas or near ventilating systems.
2. Plug power cord into proper wall outlet.
3. Fill water pan (following steps a-c).



Use of treated or soft water may be required for proper operation and to maintain warranty.

- a. Lift off cover.
- b. Fill with 3.5 qts. (3.3 liters) of water. Replace cover.
- c. Adjust vents on cover to half open.

HOW TO PROOF:

1. Push switch to "HUMIDITY". Yellow power light will come on.
2. Turn "RESERVOIR THERMOSTAT" to #10. Red heater light will come on.
3. Preheat cabinet for 30 minutes.
4. Put fresh or *fully thawed* dough into cabinet.

NOTE: The cabinet temperature will drop temperature inside cabinet if cold dough is added.

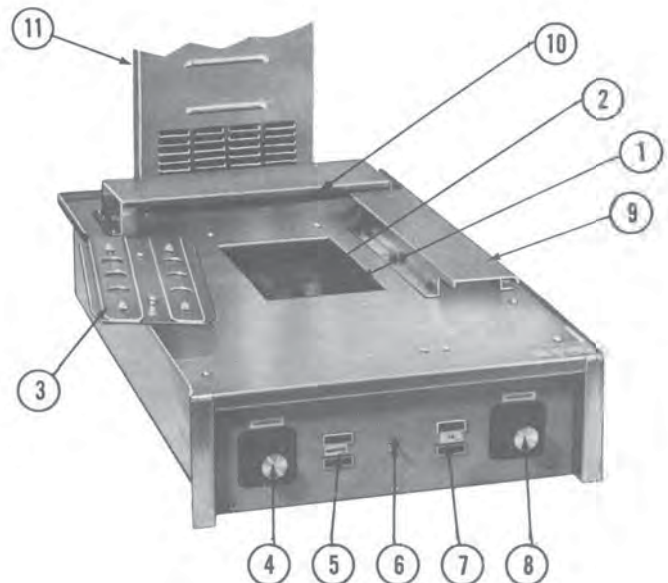
Do NOT put frozen dough into cabinet

HOW TO PROOF, continued:

5. Turn "RESERVOIR THERMOSTAT" to #9 and close the door.

NOTE: No. 9 setting will give you an approximately 90-95% humidity at 95°F (35°C). Experiment with different settings to get the exact temperature and humidity you need.

Thermometer shows the temperature inside the cabinet.



PARTS IDENTIFICATION

- | | |
|--|--|
| 1. Water Pan (Reservoir) | 6. Switch: ON/OFF |
| 2. Reservoir Heater & Probe | 7. Yellow POWER light; Red HEATER light for <u>Air</u> |
| 3. Water Pan Cover | 8. Air Thermostat |
| 4. Reservoir Thermostat | 9. Air Probe |
| 5. Yellow POWER light; Red HEATER light for <u>Reservoir</u> | 10. Air Heater |
| | 11. Tunnel Heater |

Proof/Hot Cabinets	FL-0604
Rev. 20 (3/10)	Page 2 of 4

OPERATING and MAINTENANCE INSTRUCTIONS

Models: 120-PH and 121-PH Series Proof/Hot Cabinets

NOTE: Check water level in water pan if you are proofing longer than 90 minutes. Fill with clean, hot water.

DRY PROOFING:

Turn air thermostat to #3 for 100°F (38°C) or higher.

HOW TO HEAT CABINET:

1. Push switch to “AIR”. The *Red* indicator will light.
2. Turn “AIR THERMOSTAT” to temperature needed.

NOTE: No. 8 is approx. 175°F (79°C).
 No. 6 is approx. 145°F (63°C).
 No. 4 is approx. 115°F (46°C).

Proper food holding temperature is 140°F (60°C) or higher.

3. Preheat cabinet for 30 minutes.
4. Put food into cabinet.

FOR HUMIDITY:

1. Add water to water pan
2. Push switch to “HUMIDITY” for a few minutes.

TO TURN UNIT OFF: Push switch OFF.

HOW TO CLEAN THE UNIT:

	Soil	Cleaner	Method
DOOR (Laminated Vinyl)	DIRT	Mild *detergent and water.	1. Wipe with soft, damp cloth. 2. Rinse well.
	GREASE and OIL	Weak, alcohol-type cleaner.	1. Wipe with soft, damp cloth. 2. Rinse well.
CABINET (Aluminum) Inside and Outside	DIRT	Mild *detergent and hot water, or mild abrasive cleaner.	1. Use soft, damp cloth. 2. Rinse with hot water. 3. Wipe dry
		Steam (no strong alkaline additive)	1. Rinse after steam cleaning. 2. Wipe dry.
	FINGERPRINTS, GREASE and OIL	Chemical oven cleaner for aluminum	Follow oven cleaner manufacturer's directions.
		Mild abrasive cleaner; oily or waxy cleaner.	Apply with soft, clean cloth.
WATER SPOTS	Mild abrasive cleaner	1. Apply with damp cloth. 2. Rinse and dry.	

**Mild detergents include soaps and non-abrasive cleaners.*

MAINTENANCE

HOT UNIT REMOVAL INSTRUCTIONS:

1. Unplug power cord from wall outlet.
2. Remove two (2) screws from back of cabinet, one (1) above the receptacle and one (1) higher up, holding the top of the tunnel.
3. Slide the entire unit out front of the cabinet, tilting it to clear the tie rod.

! WARNING BEFORE cleaning the cabinet:

1. Allow cabinet to cool.
2. Remove Hot unit from cabinet.
3. Do NOT use abrasives or harsh chemicals.

Cleaning hints:

1. Wipe up spills as soon as possible.
2. Clean cabinet regularly to avoid heavy dirt build-up.
3. Make a test spot with cleaner.
4. Follow manufacturer's directions on cleaner.
5. Do not mix cleaners.
6. Avoid drips and splashes.

OPERATING and MAINTENANCE INSTRUCTIONS

Models: 120-PH and 121-PH Series Proof/Hot Cabinets

⚠ CAUTION DELIME OR DESCALE RESERVOIR PARTS AS REQUIRED TO PREVENT DAMAGING BUILD-UP.

WARRANTY COVERAGE MAY BE AFFECTED WITHOUT PROPER CLEANING.

TROUBLE-SHOOTING CHART:

FAILURE	POSSIBLE CAUSE
1. Yellow light does NOT light.	1a. Circuit breaker/fuse to wall outlet is blown. 1b. Cord is unplugged from wall outlet or cabinet. 1c. Switch is "OFF".
2. Red light does NOT light.	2a. Thermostat turned "OFF". 2b. Thermostat set too low (light comes on when heater is on).
3. Unit does not get hot.	3a. Thermostat set too low or is "OFF". 3b. Water in pan may be low. 3c. Switch is "OFF".
4. Unit gets too hot or won't shut off.	4a. Defective electrical parts. UNPLUG UNIT FROM WALL OUTLET.
5. Humidity is low	5a. Water in pan may be low 5b. Thermostat set too low

*If cause is none of the above, refer to our list of Authorized Service Centers, FL-1400.
Instructions for replacing parts are included with the replacement parts kits.*

REPLACEMENT PARTS:

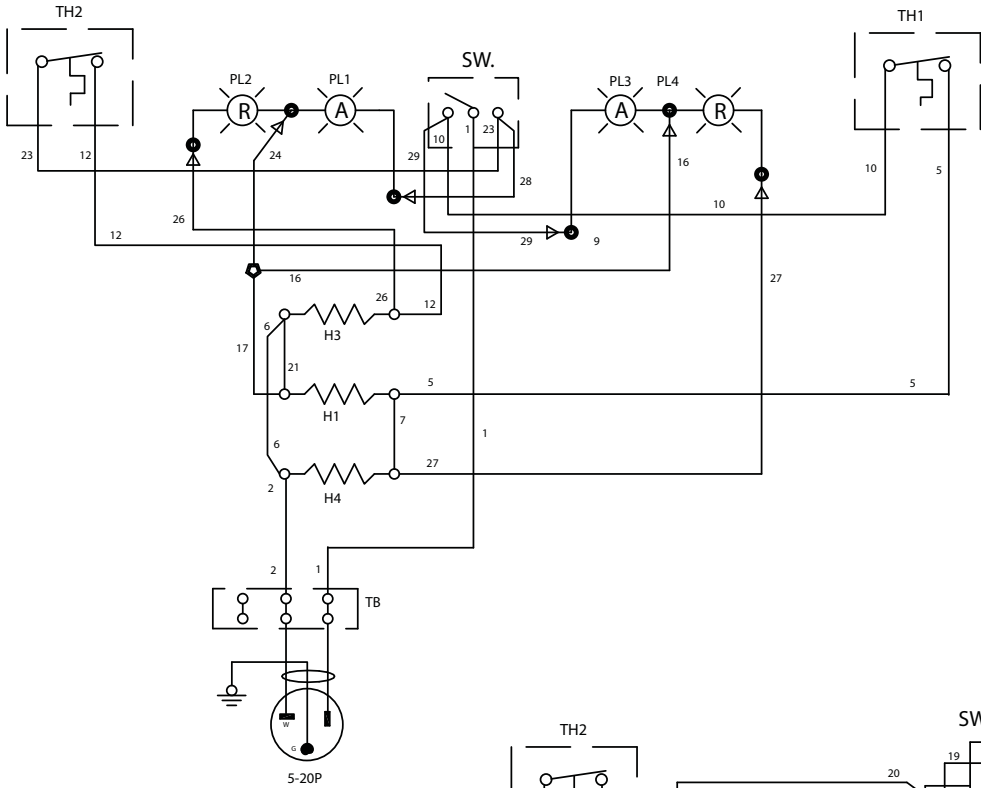
Description	120 Volt	240 Volt
Proof/Hot Unit.....	PHU-18-747-18	PHU-18-747-19
Water Pan w/Heater.....	0756-014.....	0756-015
Water Pan Cover.....	1245-001	1245-001
Heater (Water Pan) 1000W.....	0811-005-K	
Heater (Water Pan) 900W.....		0811-015K
Heater (Tunnel).....	0811-075	0811-078
Latch, Door.....	1136-K	1136-K
Power Cord Kit.....	0810-093	0810-039
Power Light (Yellow)	0766-048.....	0766-045
Power Light (Red)	0766-047.....	0766-046
Relay.....	0857-097	0857-098
Switch Kit.....	0808-082.....	0808-010
Strain Relief Collar.....	5459-004-03.....	5459-004-1
Terminal Block	0978-007-K.....	0978-007-K
Thermostat Kit.....	0848-062-K.....	0848-062-K
Thermometer Kit	5238-018-K.....	5238-018-K

Proof/Hot Cabinets	FL-0604
Rev. 20 (3/10)	Page 4 of 4

OPERATING and MAINTENANCE INSTRUCTIONS

Models: 120-PH and 121-PH Series Proof/Hot Cabinets

WIRING DIAGRAMS



LEGEND

- H4 HEATER-TUNNEL
- H1 HEATERS-AIR
- H3 HEATER-RESERVOIR
- PL1 PILOT LIGHT, RESERVOIR-AMBER
- PL2 PILOT LIGHT, RESERVOIR-RED
- PL3 PILOT LIGHT, AIR-AMBER
- PL4 PILOT LIGHT-AIR-RED
- SW SWITCH
- TB TERMINAL BLOCK
- TH1 THERMOSTAT-AIR
- TH2 THERMOSTAT-RESERVOIR
- 5-20P FLANGED INLET 120V, 20A
- SLEEVING
- WIRENUT

ELECTRICAL SPECS.

MODEL #0747-018
110/120V, 2025 W, 1Ph, 50/60Hz, AC Service

LEGEND

- H4 HEATER-TUNNEL
- H1 HEATERS-AIR
- H3 HEATER-RESERVOIR
- PL1 PILOT LIGHT, RESERVOIR-AMBER
- PL2 PILOT LIGHT, RESERVOIR-RED
- PL3 PILOT LIGHT, AIR-AMBER
- PL4 PILOT LIGHT-AIR-RED
- SW SWITCH
- TB TERMINAL BLOCK
- TH1 THERMOSTAT-AIR
- TH2 THERMOSTAT-RESERVOIR
- 5-20P FLANGED INLET 120V, 20A
- SLEEVING
- WIRENUT

ELECTRICAL SPECS.

MODEL #0747-019
220/240V, 1925 W, 1Ph, 50/60Hz, AC Service

