

OPERATING and MAINTENANCE INSTRUCTIONS
Models: H138NPSCLCMC5QRL Merchandising Hot Cabinets



Cabinet model number: _____

Cabinet serial number: _____

Authorized Service Agency: _____

Ph: _____ Fax: _____

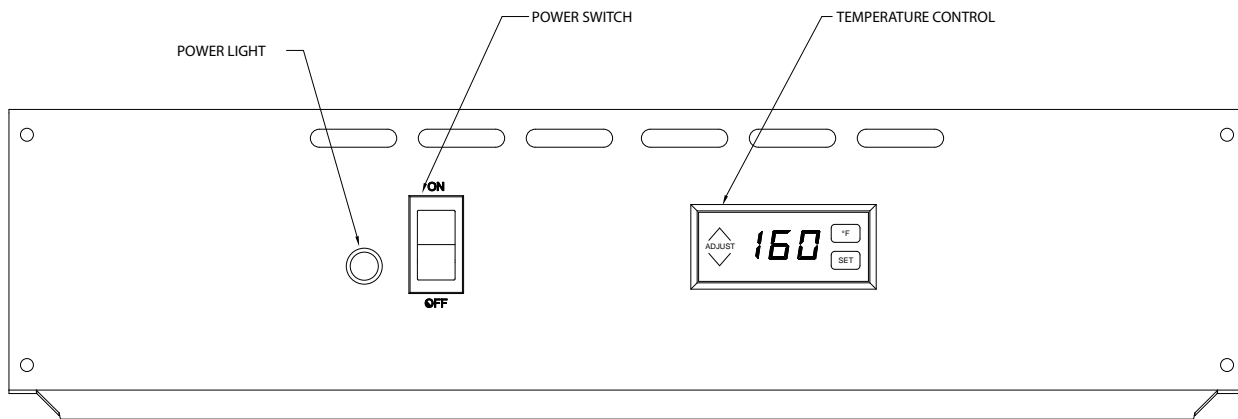
Keep this manual for future reference.

Holding Cabinet	FL-2371-LC
Rev. 3 (5/14)	Page 2 of 9

INSTALLATION & OPERATION INSTRUCTIONS

ELECTRICAL SPECIFICATIONS:

Model No.	Volts	Watts	Amps	Hertz	Phase	NEMA
H138NPSCLCMC5QRL	120	2000	16.6	60	1	L5-20P



INSTALLATION:

1. Remove all paper and packing material from inside of cabinet.
2. Remove protective paper and vinyl material from outside surfaces of cabinet.
3. For shelf installation, see page 8.
4. Place the cabinet in a well-ventilated area.
5. Place cabinet on level floor.
6. Plug cord end into proper wall outlet.
7. See page 4 to reverse the door openings.

FIRST TIME START-UP:

1. Push the POWER switch to “ON”, and run the unit for one hour.

NOTE: DO NOT PUT FOOD INTO CABINET!

This step is to burn off manufacturing oils and excess adhesive.

2. Let the cabinet cool and wipe inside clean with detergent and hot water before first use.

HOW TO HOLD:

1. Push POWER switch to “ON.” POWER LIGHT will come on.
2. The control is preset to maintain an average temperature of 160°F. Displayed temperatures will change during loading and unloading of product.
3. Preheat cabinet for 45 minutes.
4. Put product into cabinet.

NOTE: Proper food holding temperature is 140°F/60°C or higher.

WARNING Air is VERY HOT when door is opened.

WARNING
Blower inlet guard must be in place before operating cabinet.

MAINTENANCE INSTRUCTIONS

WARNING

BEFORE cleaning the cabinet:

1. Unplug the cabinet from the wall.
2. Allow cabinet to cool.

CAUTION

1. Do **NOT** use abrasives (steel wool) or harsh chemicals (chlorine, bromine, iodine or ammonia).
2. Do **NOT** use a water sprayer (pressure sprayer) to clean the cabinet.

CLEANING HINTS:

1. Wipe up spills as soon as possible.
2. Clean cabinet daily to avoid heavy dirt build-up.
3. Make a test spot with cleaner:
 - a) Follow manufacturer's directions on cleaner.
 - b) Do not mix cleaners.
 - c) Avoid drips and splashes.

HOW TO CLEAN WIRE RACKS:


1. Remove all items from shelves.
2. Place towels under the area you will be cleaning.
3. Spray shelves with a degreasing cleaner and wait two minutes.
4. Scrub the shelves with a brush. Use a toothbrush to get between the wires.
5. Wipe off with a damp sponge and warm water. Dry with towels.

HOW TO CLEAN THE UNIT:

	Soil	Cleaner	Method
CABINET Inside and Outside (Stainless Steel)	DAILY CLEANING	Mild detergent and hot water.	1. Sponge on with cloth. 2. Rinse with water. 3. Wipe dry.
	STUBBORN SPOTS AND STAINS	Mild abrasive made for stainless steel.	1. Apply with damp sponge or cloth. 2. Rub lightly. 3. Rinse with water and wipe dry.
	BURNT-ON FOODS OR GREASE	Chemical oven cleaner for stainless steel.	Follow oven cleaner manufacturer's directions.
	HARD WATER SPOTS and SCALE	Vinegar	1. Swab or wipe with cloth. 2. Rinse and dry.


**Mild detergents include soaps and non-abrasive cleaners.*

Note: Gaskets are removable for cleaning.



WARNING

RISK OF FIRE OR ELECTRIC SHOCK
DO NOT OPEN



WARNING: TO REDUCE THE RISK OF FIRE OR ELECTRIC SHOCK,

DO NOT REMOVE COVER (OR BACK)

NO USER-SERVICEABLE PARTS INSIDE

REPAIR SHOULD BE DONE BY AUTHORIZED SERVICE PERSONNEL ONLY

Holding Cabinet	FL-2371-LC
Rev. 3 (5/14)	Page 4 of 9

MAINTENANCE INSTRUCTIONS

HOW TO REVERSE THE DOOR OPENING:

1. Open the door 180°, lift it up and off. Lay it down with the outside up.
2. Pop off the hinge covers with a regular screwdriver.
3. Unscrew the hinges and pull handle and remount them to the opposite sides of the door (make sure the hinge pin is down).
4. Remove the cabinet hinges with door stop brackets. Remove the screws plugging the mating hinge holes on the opposite side of the cabinet.
5. Lift out and turn the plastic cam in each cabinet hinge 180°. Use a screwdriver to pop them out, if necessary (see Figure 1). Mount the hinges and door stop brackets onto the opposite side of cabinet (see Figure 2).
6. Put the door back onto the cabinet and adjust/tighten the hinges as shown on page 5.



Figure 1
Right Hand Hinge (as shipped)



Note the position of curved dwell on the cam after turning it 180°

Figure 2
Left Hand Hinge

Holding Cabinet	FL-2371-LC
Rev. 3 (5/14)	Page 5 of 9



5925 Heisley Road • Mentor, OH 44060-1833

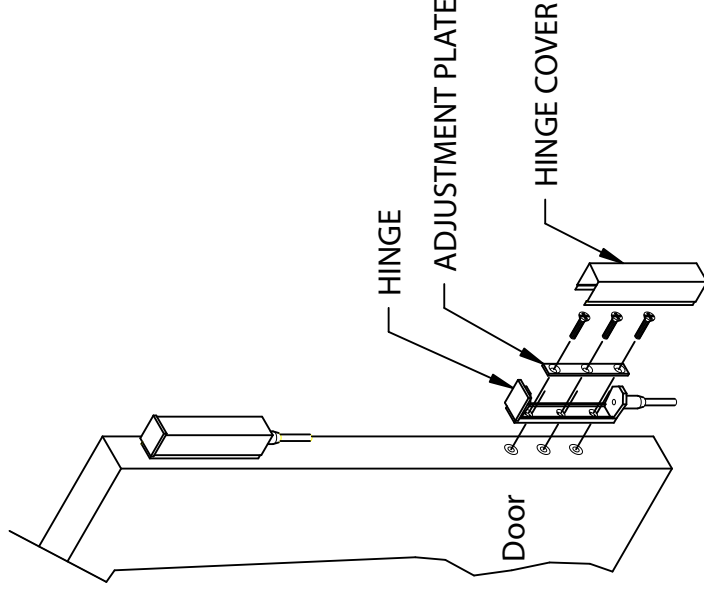
MAINTENANCE INSTRUCTIONS TROUBLE-SHOOTING GUIDE

How to adjust/tighten the double door hinges:

1. Open the door 180°, lift it up and off. Lay it down with the outside up.
2. Pop off hinge covers with a screwdriver.
3. Loosen the screws that hold hinges to the door. Those holes are slotted for adjustment.
 - a) Push the hinge back for the door to close easier; or
 - b) Pull the hinge forward to close the gap between the door and the cabinet.
4. Tighten the screws and then test the door.

How to adjust /tighten the full door hinges:

1. Loosen the screws holding the hinge to the door.
2. Push or pull the hinge per instructions above.



FAILURE

1. POWER LIGHT (*Yellow*) does NOT light.
2. Unit does not heat.
3. Unit gets too hot or won't shut off.
4. Blower does not work or makes noise.
5. GFCI device trips.

POSSIBLE CAUSE

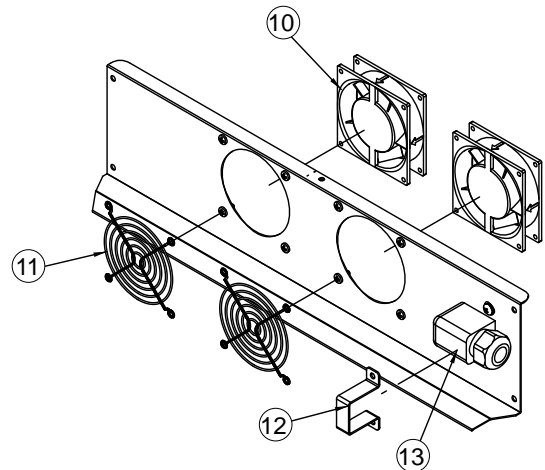
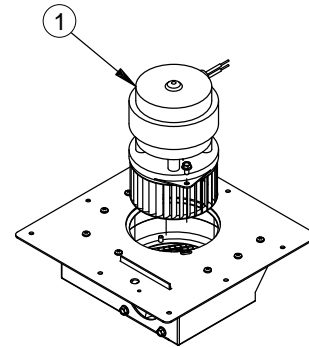
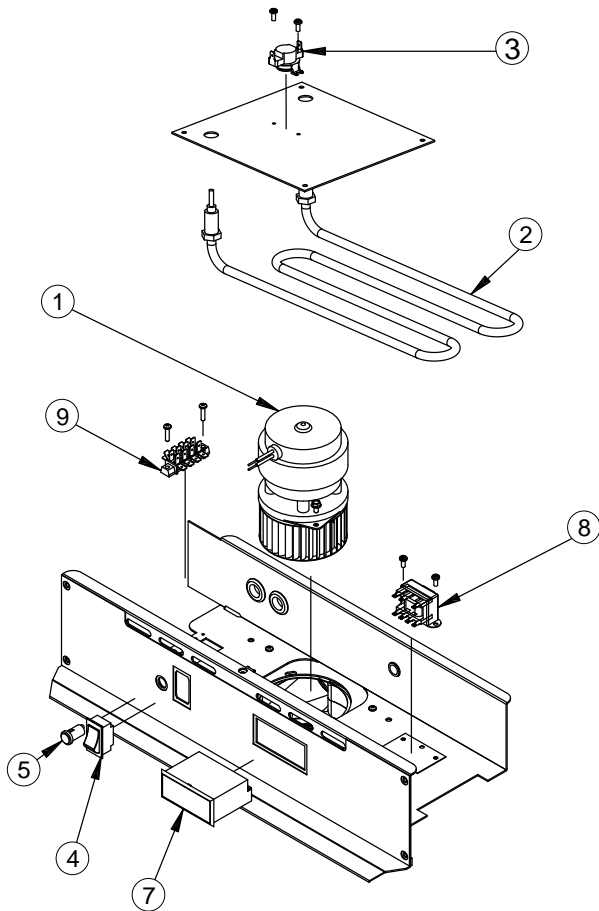
- 1a. Switch is "OFF".
- 1b. Cord unplugged from wall outlet.
- 1c. Circuit breaker/fuse to wall outlet tripped/blown.
- 2a. Temperature control is set too low.
- 2b. Switch is "OFF".
- 3a. Defective electrical parts.
UNPLUG UNIT FROM WALL OUTLET.
- 4a. Defective blower.
- 5a. The insulation inside the heating element may have absorbed some moisture. This may have occurred if the cabinet has not been used for a long period of time or during shipping and storage of the cabinet. Plug the cabinet into a non-GFCI outlet and set the temperature control to its maximum. Let the cabinet run for about 1 hour to dry out the heating element from any moisture may have been absorbed. If the circuit breaker trips, call the factory Authorized service agent. After drying the heating element, plug cabinet into the GFCI receptacle; the cabinet should run properly. If the GFCI device continues to trip, call the factory Authorized service agent.

GFCI (ground-fault circuit interrupter): A GFCI receptacle is a device that de-energizes a circuit when it detects an unsafe flow of current to ground. The intention of a GFCI device is to minimize the potential for an electrical shock.

If cause is none of the above, refer to our list of Authorized Service Centers, FL-1400

REPLACEMENT PARTS

Include all information on nameplate when ordering parts



ITEM DESCRIPTION

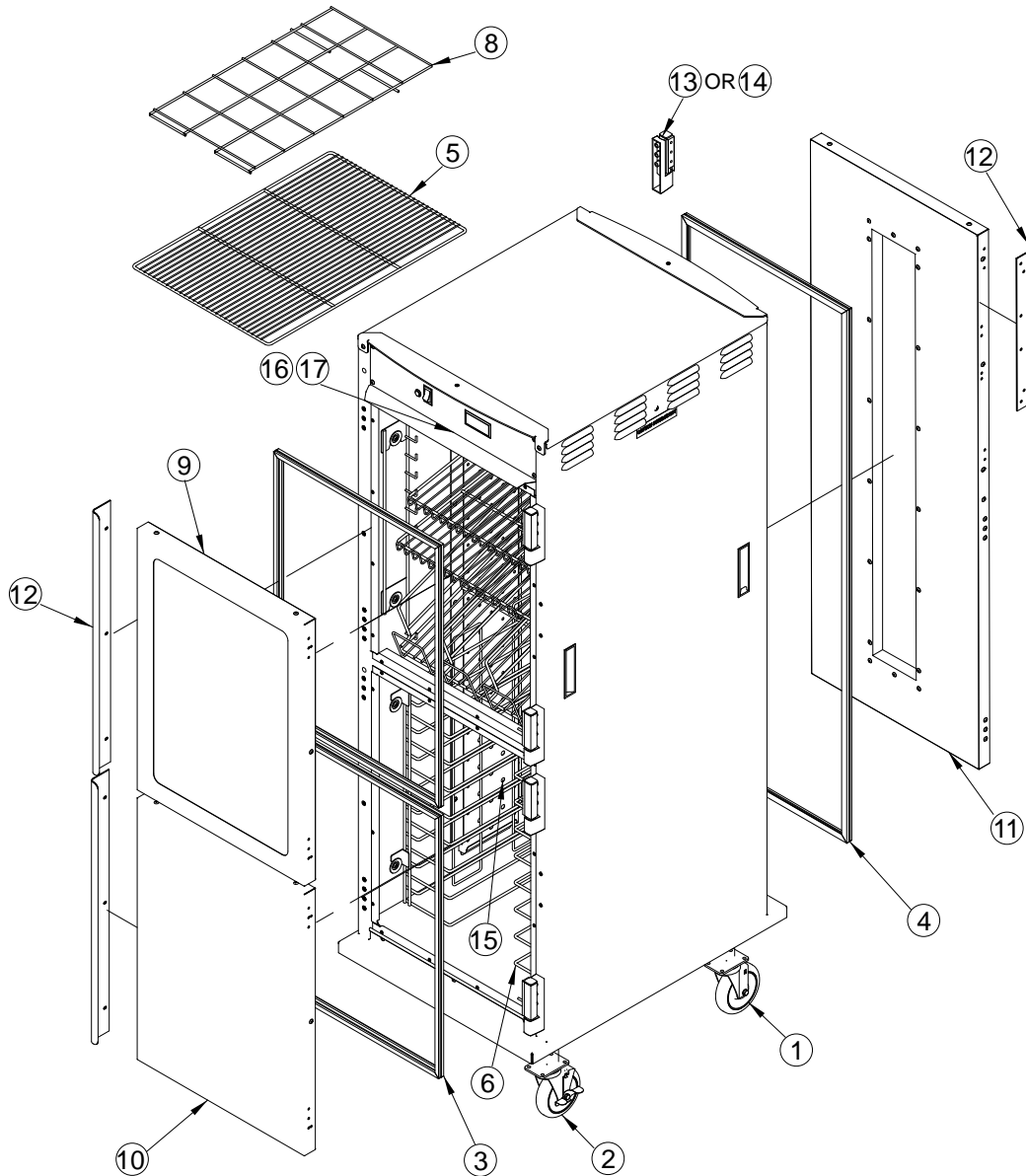
- 1 Blower Kit
- 2 Heater Kit, Air
- 3 High Limit
- 4 Power Switch
- 5 Power Light
- Relay - Solid State (*not shown*)
- 7 Temperature controller
- 8 Transformer (*used with Temp controller*)
- 9 Terminal Block (4 pole)
- Terminal Block (2 pole)
- 10 Vent Fan
- Power Cord (*not shown*)
- 11 Fan Guard
- 12 Cord Bracket
- 13 Strain Relief 90°

- 120V**
- 0769-180-K-LC
 - 1850 Watt 0811-022-K
 - 0848-060
 - 0808-116-K
 - 0766-094
 - 0857-134
 - 0848-075-LCK
 - 0769-159
 - 0852-093
 - 0852-091
 - 0769-165
 - 20 Amp 0810-065-14-LK
 - 0769-167
 - 0553-757
 - 0818-095

Holding Cabinet	FL-2371-LC
Rev. 3 (5/14)	Page 7 of 9

REPLACEMENT PARTS

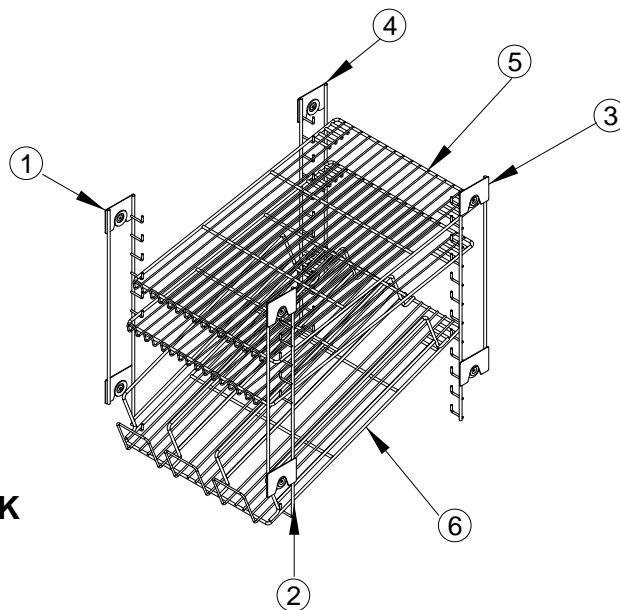
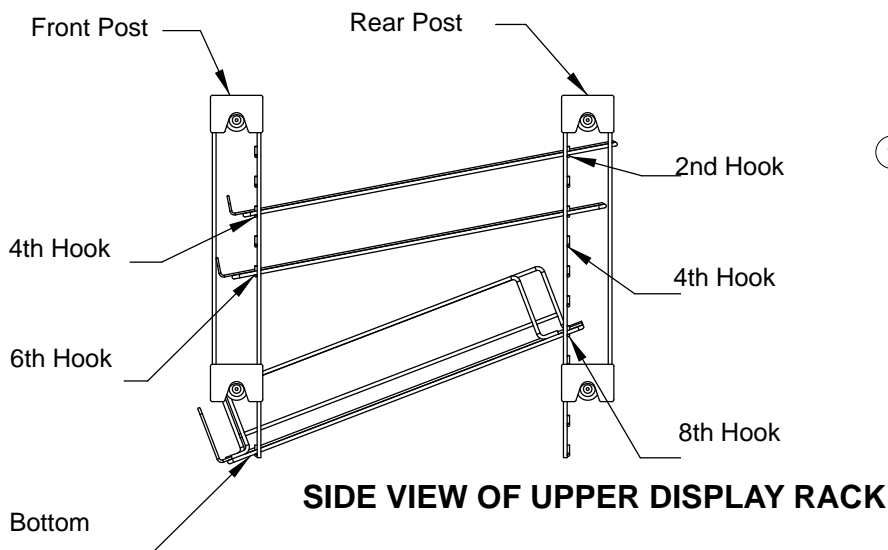
Include all information on nameplate when ordering parts



CABINET REPLACEMENT PARTS:

Item	Description	Part No.	Item	Description	Part No.
1	Caster	0569-306-K	10	Door, front, solid	1221-534-LCK
2	Caster with brake	0569-306-BK	11	Door, back, window	1221-629-LCK
3	Gasket, front doors	0861-245-K	12	Handle, door	0911-115-LCK
4	Gasket, back door	0861-246-K	13	Hinge Kit, lift off, set of 2	0519-114-LCK
5	Wire shelf	1170-005	14	Hinge, butt type	0519-089-K
	Display Rack (upper)	See Page 8	15	Air tunnel	0546-120
6	Rack insert (lower)	1170-213-LCK	16	Light Display, Complete	0820-058
8	Wire blower inlet guard	1170-211	17	Light Bulb Kit, set of 5	0820-059-01
9	Door, front, window	1221-616-LCK			

DISPLAY RACK INSTALLATION (Recommended)



HALOGEN BULB REPLACEMENT INSTRUCTIONS:

1. Turn PWR switch OFF, UNPLUG unit from wall outlet and allow unit to COOL to prevent SHOCK or BURN.
2. Insert small screwdriver between lens and mounting screw at a 45 degree angle and apply pressure while pulling down the lens. DO NOT DROP GLASS LENS!
3. Pull bulb STRAIGHT out. If necessary, gently pry at the base of bulb using a wiggling motion.

NOTE: For longest bulb life, do NOT handle a new bulb with bare hands. Use clean glove or cloth to install.

DISPLAY RACK REPLACEMENT PARTS

Item	Description	Part No.
1	Post, Left	1170-239
2	Post, Right	1170-240
3	Post, Right Rear	1170-237
4	Post, Left Rear	1170-238
5	Wire Shelf	1170-223
6	Wire Shelf	1170-236

Holding Cabinet	FL-2371-LC
Rev. 3 (5/14)	Page 9 of 9

WIRING DIAGRAM

