



**LIST OF SPARE PARTS  
LISTA DE REPUESTOS  
LISTA DEI RICAMBI  
LISTE DES PIÈCES DE RECHANGE  
ERSATZTEIL-LISTE**



## V-AIR

C/Tramuntana, 10  
46716 Rafelcofer (Valencia-Spain)

☎ +34 96 280 11 12

✉ info@v-air.es

🌐 www.v-air.es

### V-AIR

All rights reserved

Neither the whole of this document nor any individual portion thereof may be reproduced, stored on an electronic filing system or transmitted to third parties in any form thereof by any means, without the prior written consent of V-AIR.

The technical data contained in this document is indicative and not binding, insofar as V-AIR reserves the right to make modifications and improvements to its products at any time in order to enhance the quality thereof.

### V-AIR

Todos los derechos reservados

Ninguna parte de esta publicación puede ser reproducida, almacenada o transmitida de ninguna forma, no por ningún medio, sin la previa autorización escrita por parte de V-AIR.

Los datos técnicos contenidos en este documento son indicativos y no constituyen compromiso, ya que V-AIR se reserva el derecho de realizar en cualquier momento modificaciones y mejoras en sus productos con el objeto de incrementar constantemente su calidad.

### V-AIR

Tutti i diritti riservati

Nessuna parte di questo manuale può essere riprodotta, memorizzata in un sistema di archiviazione o trasmessa a terzi in qualsiasi forma o con qualsiasi mezzo, senza una preventiva autorizzazione scritta di V-AIR.

V-AIR si riserva il diritto di apportare in qualsiasi momento e senza preavviso, modifiche e miglioramenti ai suoi prodotti allo scopo di elevarne costantemente la qualità, pertanto anche questa pubblicazione può essere soggetta a modifiche.

### V-AIR

Tous droits réservés

Il est interdit de procéder à la reproduction intégrale ou partielle de ce document, à sa mise en mémoire dans un système d'archives ou à sa transmission à des tiers sous quelque forme que ce soit sans l'autorisation écrite préalable de V-AIR.

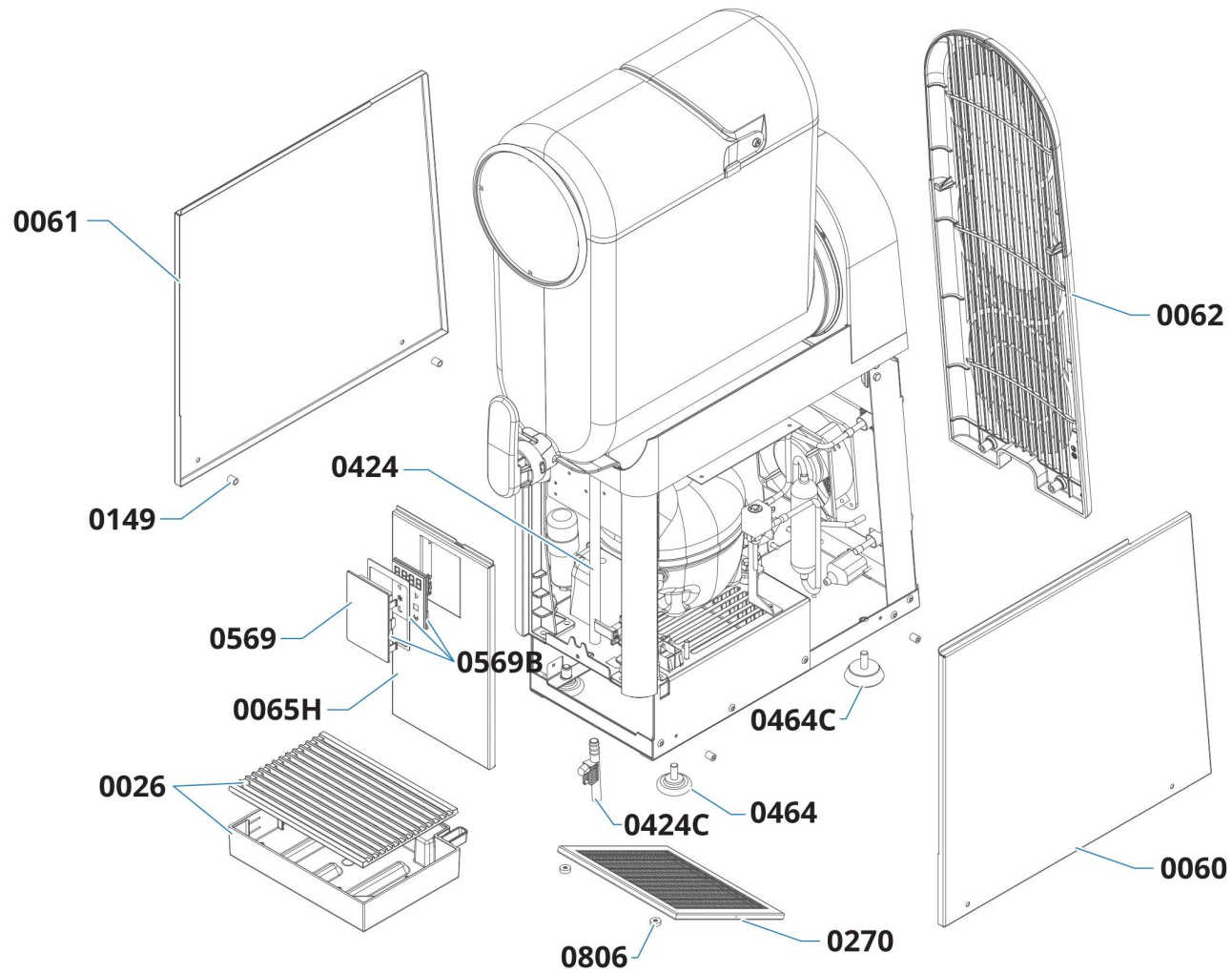
Les données techniques contenues dans ce document sont fournies à titre indicatif et non contraignant, dans la mesure où V-AIR se réserve le droit d'apporter à tout moment des modifications et des améliorations à ses produits pour en élever constamment la qualité.

### V-AIR

Alle Rechte vorbehalten

Das vorliegende Handbuch bzw. Teile davon dürfen nicht ohne vorherige schriftliche Genehmigung der Fa. V-AIR nachgedruckt, in Speichersystemen abgelegt oder in beliebiger Form und mit beliebigen Mitteln an Dritte weitergegeben werden.

Die Fa. V-AIR behält sich das Recht vor, in Sinne der laufenden Steigerung der Qualität jederzeit und ohne Ankündigung Änderungen und Verbesserungen an ihren Produkten vorzunehmen. Daher kann auch die vorliegende Veröffentlichung Änderungen unterliegen.

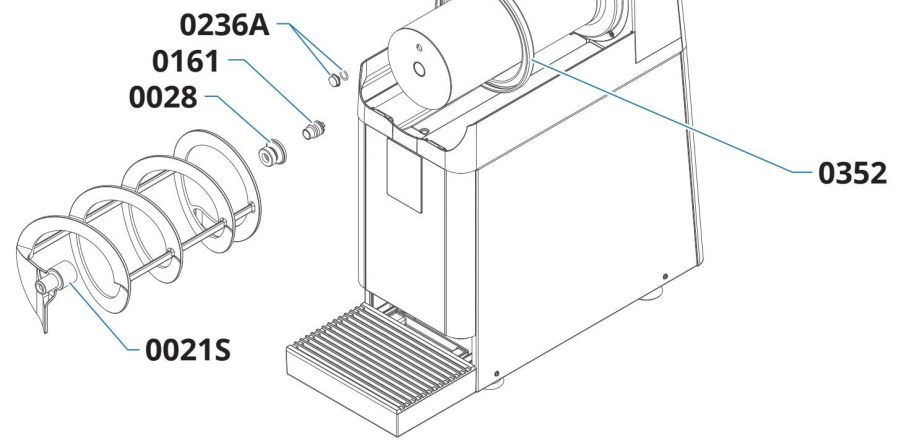
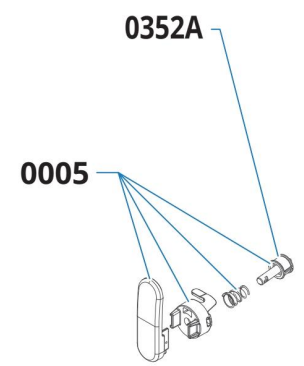
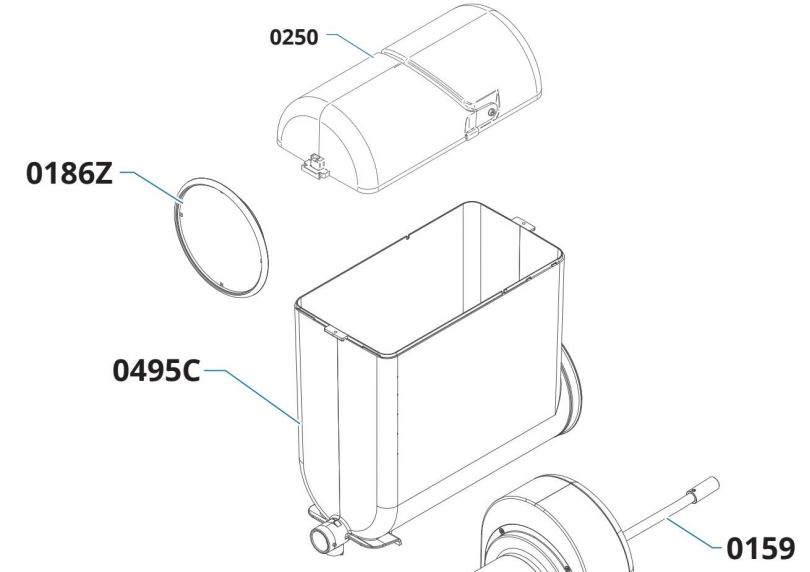
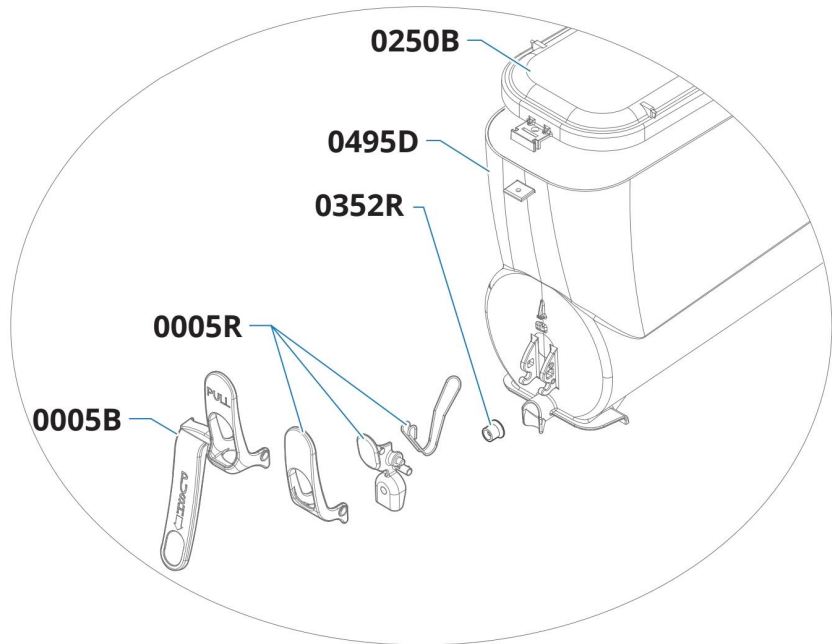


THE PICTURES ARE INDICATIVE



SL9S6161F01B - SMART + 1 115/60 UL - 01\_BODYWORK

Pos.	Code	Description
00026	SL310R00439	TANK+DRIP TRAY SMART BLK V22
00060	SL102-021455	RIGHT SLIDE PANEL SMART 2x8
00061	SL102-021456	LEFT SLIDE PANEL SMART 2x8
00062	SL158-023952	REAR GRID SMART V22
00149	SL310R00425	KIT- SPACER LOCKED SL515-003687 10PC
00270	SL193-023897	AIR FILTER SMART 1
00424	SL320000704	TUBE DI8xDe12 IN SILICONE ALIM. L. 540mm
00464	SL310R00363	PIEDE ANTISCIVOLO
00569	SL107-024373	DISPLAY SUPPORT SMART V22
0065H	SL102-023327	FRONT PANEL SMART 1
00806	SL570-003667	NEODYMIUM MAGNET $\diamond$ 12x4mm
0424C	<a href="#">SL588-002867</a>	DRAIN T $\diamond$ 12mm
0464C	SL310R00363	PIEDE ANTISCIVOLO
0569B	SL310R00424	DISPLAY CARD + SMART SUPPORT



THE PICTURES ARE INDICATIVE

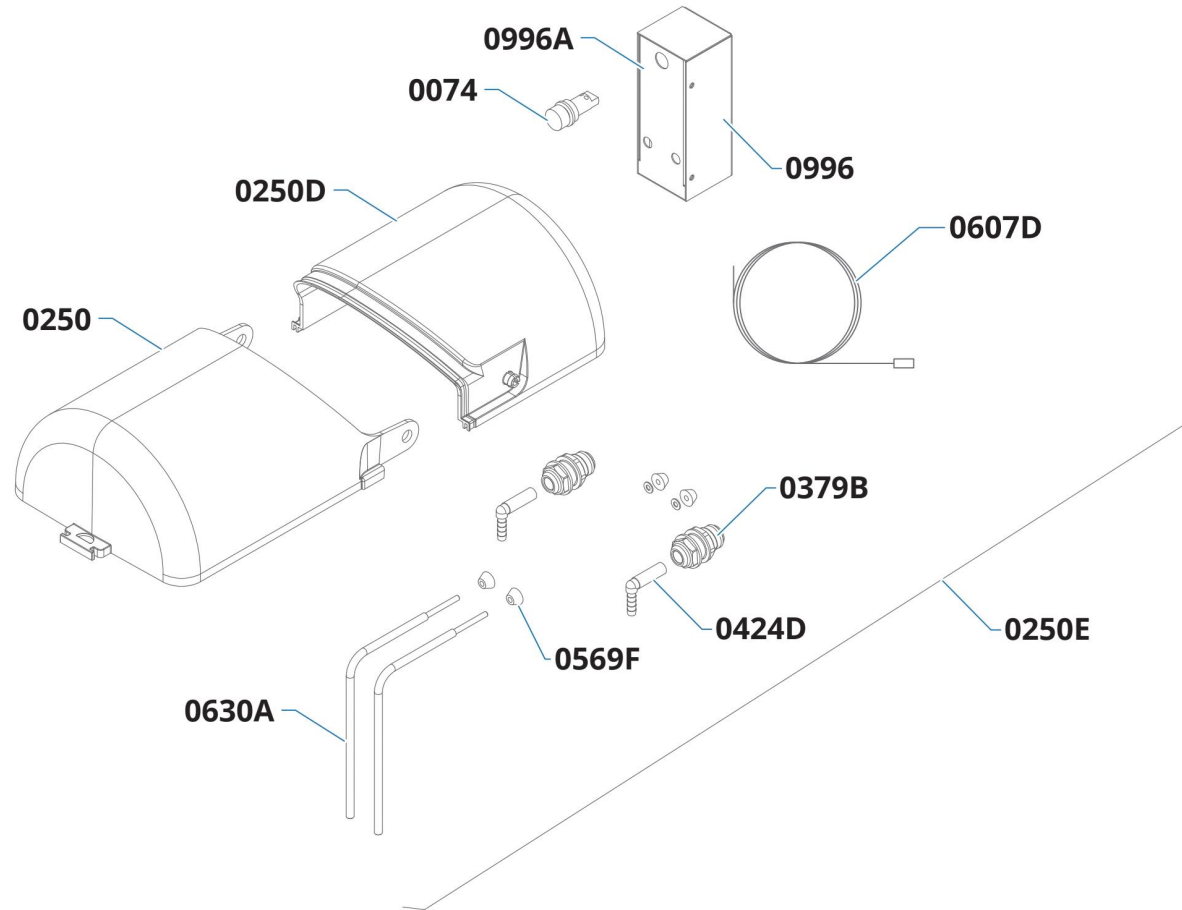


SL9S6161F01B - SMART + 1 115/60 UL - 02\_BOWL

Pos.	Code	Description
00005	SL310R00485	TAP SET SMART V23
00028	SL158-009541	SHAFT WATERTIG.SEAL GHZ 2M6 HTV-R-401/55
00159	SL310R00429	BEATER DRIVE SHAFT SMART+WASHER
00161	SL340001646	WATERTIGHT+ O-RINGS
0021S	SL142-013965	SPIRAL SHOVEL GNW BLACK
00250	SL102-028803	FULL COVER SMART UL
00352	SL158-019751	TANK JOINT GNW HTV-R-401/55 V21
0186Z	SL310R00451	BOWL COVER AD SUPPORT SMART+STICKER
0236A	SL310R00491	KIT EV.S.FRONT.SMART/CLASSIC
0352A	SL158-027645	PIN+GASKET SMART V23
0495C	SL112-029137	BOWL SMART (.R)



SL9S6161F01B - SMART + 1 115/60 UL - 03\_AF BOWL COVER (OPTIONAL)



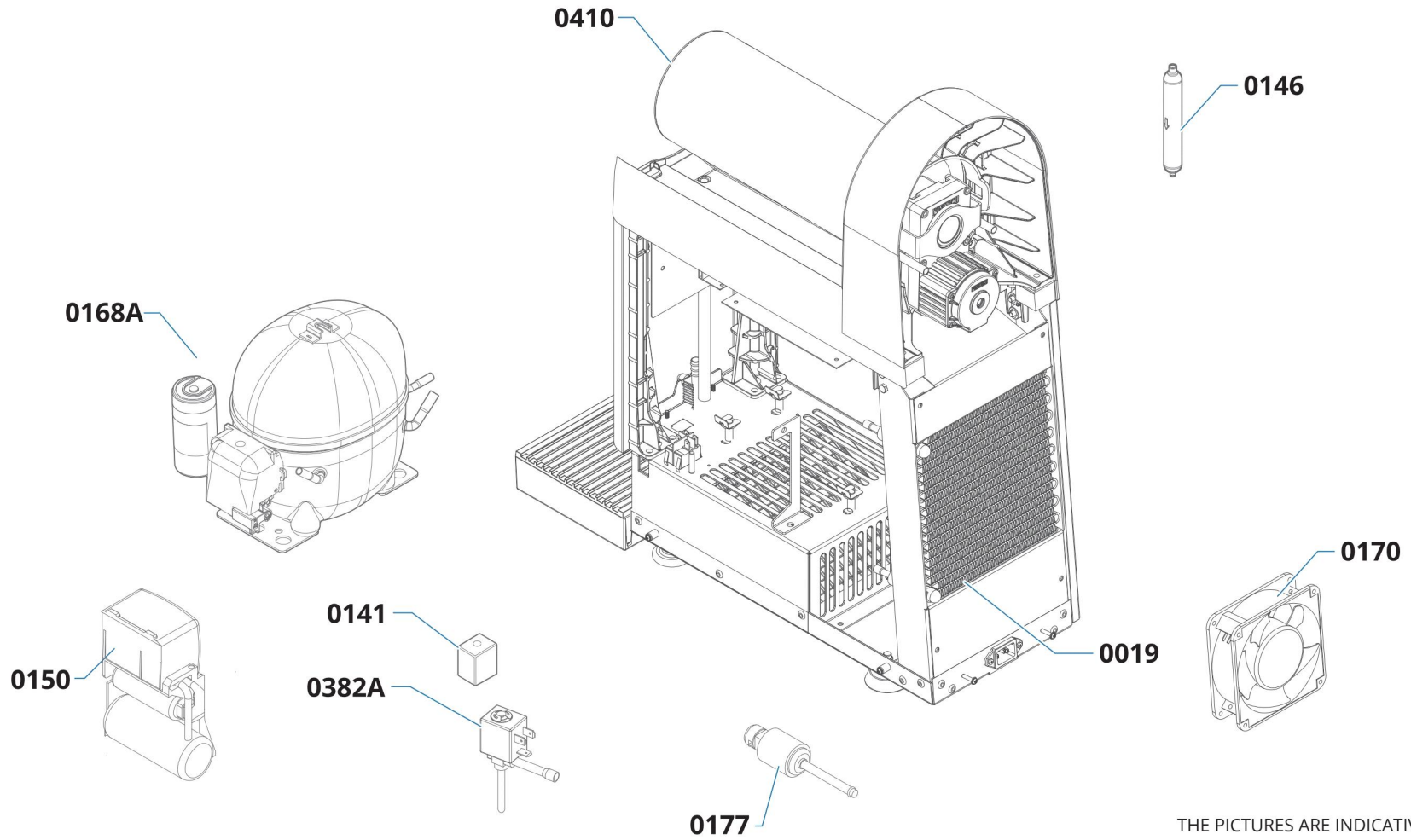
THE PICTURES ARE INDICATIVE



SL9S6161F01B - SMART + 1 115/60 UL - 03\_AF BOWL COVER (OPTIONAL)

Pos.	Code	Description
00250	SL102-028803	FULL COVER SMART UL

SL9S6161F01B - SMART + 1 115/60 UL - 04\_REFRIGERATING SYSTEM

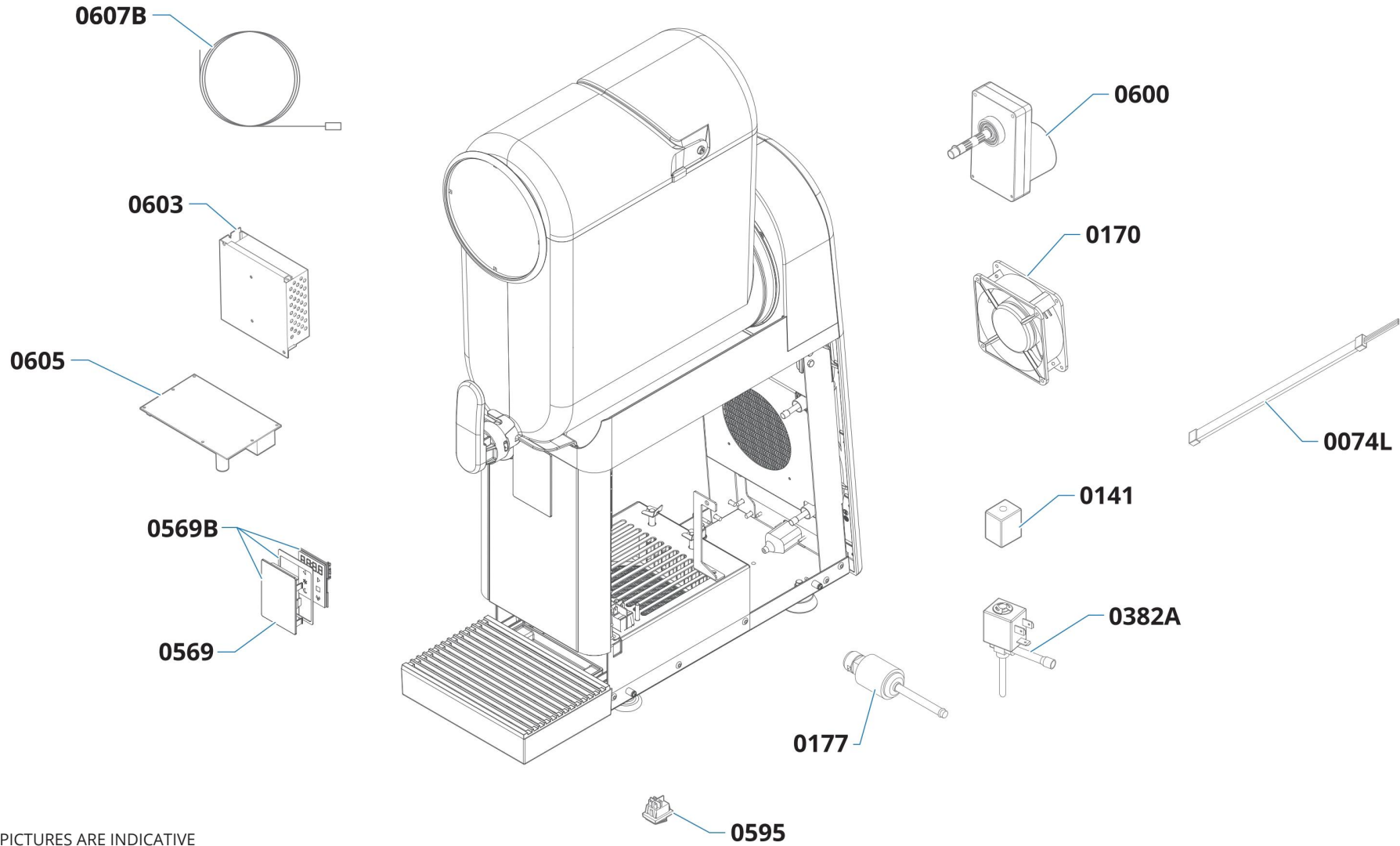


THE PICTURES ARE INDICATIVE



SL9S6161F01B - SMART + 1 115/60 UL - 04\_REFRIGERATING SYSTEM

Pos.	Code	Description
00019	SL584-003726	CONDENSER SANHUA X002-JD306
00141	SL38EAD18GL	EV COIL CEME 115/60
00146	SL193-023896	FILTER-BOILER DRYER 30g 1/4 1/4 SP0,9
00150	SL310R00509	COMPRESSOR ELECTR.BOX EMC3125U 115/60 RS
00170	SL552-002655	FAN EC 120x120
00177	SL583-004722	PRESSURE TRANSDUCER $\diamond$ 1/4" 0-13 BAR
00410	SL115-022237	FULL EVAPORATOR 5/16 SMART
0168A	SL310R00328	COMPRESSOR + FILTER V-DRINK 115-60 UL
0382A	SL330000420	FULL SINGLE ELECTROVALVE CEME-1.5 115/60



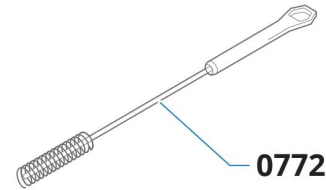
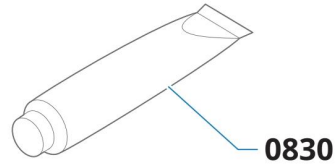
THE PICTURES ARE INDICATIVE



SL9S6161F01B - SMART + 1 115/60 UL - 05\_ELECTRICAL BOX

Pos.	Code	Description
00141	SL38EAD18GL	EV COIL CEME 115/60
00170	SL552-002655	FAN EC 120X120
00177	SL583-004722	PRESSURE TRANSDUCER $\diamond$ 1/4" 0-13 BAR
00569	SL107-024373	DISPLAY SUPPORT SMART V22
00595	SL578-003171	GENERAL SWITCH
00600	SL558-003620	GEAR MOTOR IPC BRS GMF4D37D12M1 24V
00603	SL578-004638	POWER SUPPLY CHINFA AMR4-24 60W
00605	SL573-004251	ELECTRONIC CONTROL UNIT HORECA BASIC 2
0074L	SL310R00454	LED SMART
0382A	SL330000420	FULL SINGLE ELECTROVALVE CEME-1,5 115/60
0569B	SL310R00424	DISPLAY CARD + SMART SUPPORT

SERVICE KIT - KIT DE SERVICIO - KIT DI SERVIZIO - KIT DE SERVICES - SERVICE-KIT

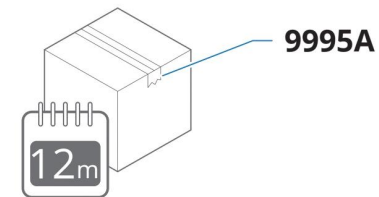
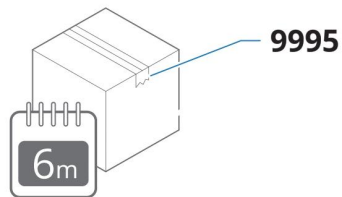


PREVENTIVE MAINTENANCE - MANTENIMIENTO PREVENTIVO - MANUTENZIONE PREVENTIVA  
MAINTENANCE PRÉVENTIVE - VORBEUGENDE INSTANDHALTUNG

This parts must reapiaced every 6 months.  
Estas piezas deben ser reemplazadas cada 6 meses.  
Queste parti devono essere sostituite ogni 6 mesi.  
Ces pièces doivent être remplacées tous les 6 mois.  
Diese Teile müssen alle 6 Monate erneuert werden.

This parts must reapiaced every 12 months.  
Estas piezas deben ser reemplazadas cada 12 meses.  
Queste parti devono essere sostituite ogni 12 mesi.  
Ces pièces doivent être remplacées tous les 12 mois.  
Diese Teile müssen alle 12 Monate erneuert werden.

THE PICTURE ARE INDICATIVE.





**SL9S6161F01B - SMART + 1 115/60 UL - 06\_KIT & ACCESSORIES**

Pos.	Code	Description
00772	IC599-004714	BRUSH FINE IPPA DIA. 8x 90x250
00830	IC743000115	TUBE-LUBRI-FILM PLUS HAYNES g.28
09995	SL310R6VSB0	SERVICE KIT 6M SMART BLISTER
9995A	SL310R1VSB0	SERVICE KIT 1Y SMART XL BLISTER