



**LIST OF SPARE PARTS  
LISTA DE REPUESTOS  
LISTA DEI RICAMBI  
LISTE DES PIÈCES DE RECHANGE  
ERSATZTEIL-LISTE**



**CARPIGIANI HORECA**  
C/Tramuntana, 10  
46716 Rafelcofer (Valencia-Spain)  
☎ +34 96 280 11 12  
✉ info@carpigianihoreca.com  
🌐 www.carpigianihoreca.com

#### **CARPIGIANI HORECA**

All rights reserved

Neither the whole of this document nor any individual portion thereof may be reproduced, stored on an electronic filing system or transmitted to third parties in any form thereof any means, without the prior written consent of CARPIGIANI HORECA.

The technical data contained in this document is indicative and not binding, insofar as CARPIGIANI HORECA reserves the right to make modifications and improvements to its products at any time in order to enhance the quality thereof.

#### **CARPIGIANI HORECA**

Todos los derechos reservados

Ninguna parte de esta publicación puede ser reproducida, almacenada o transmitida de ninguna forma, no por ningún medio, sin la previa autorización escrita por parte de CARPIGIANI HORECA.

Los datos técnicos contenidos en este documento son indicativos y no constituyen compromiso, ya que CARPIGIANI HORECA se reserva el derecho de realizar en cualquier momento modificaciones y mejoras en sus productos con el objeto de incrementar constantemente su calidad.

#### **CARPIGIANI HORECA**

Tutti i diritti riservati

Nessuna parte di questo manuale può essere riprodotta, memorizzata in un sistema di archiviazione o trasmessa a terzi in qualsiasi forma o con qualsiasi mezzo, senza una preventiva autorizzazione scritta di CARPIGIANI HORECA.

CARPIGIANI HORECA si riserva il diritto di apportare in qualsiasi momento e senza preavviso, modifiche e miglioramenti ai suoi prodotti allo scopo di elevarne costantemente la qualità, pertanto anche questa pubblicazione può essere soggetta a modifiche.

#### **CARPIGIANI HORECA**

Tous droits réservés

Il est interdit de procéder à la reproduction intégrale ou partielle de ce document, à sa mise en mémoire dans un système d'archives ou à sa transmission à des tiers sous quelque forme que ce soit sans l'autorisation écrite préalable de CARPIGIANI HORECA.

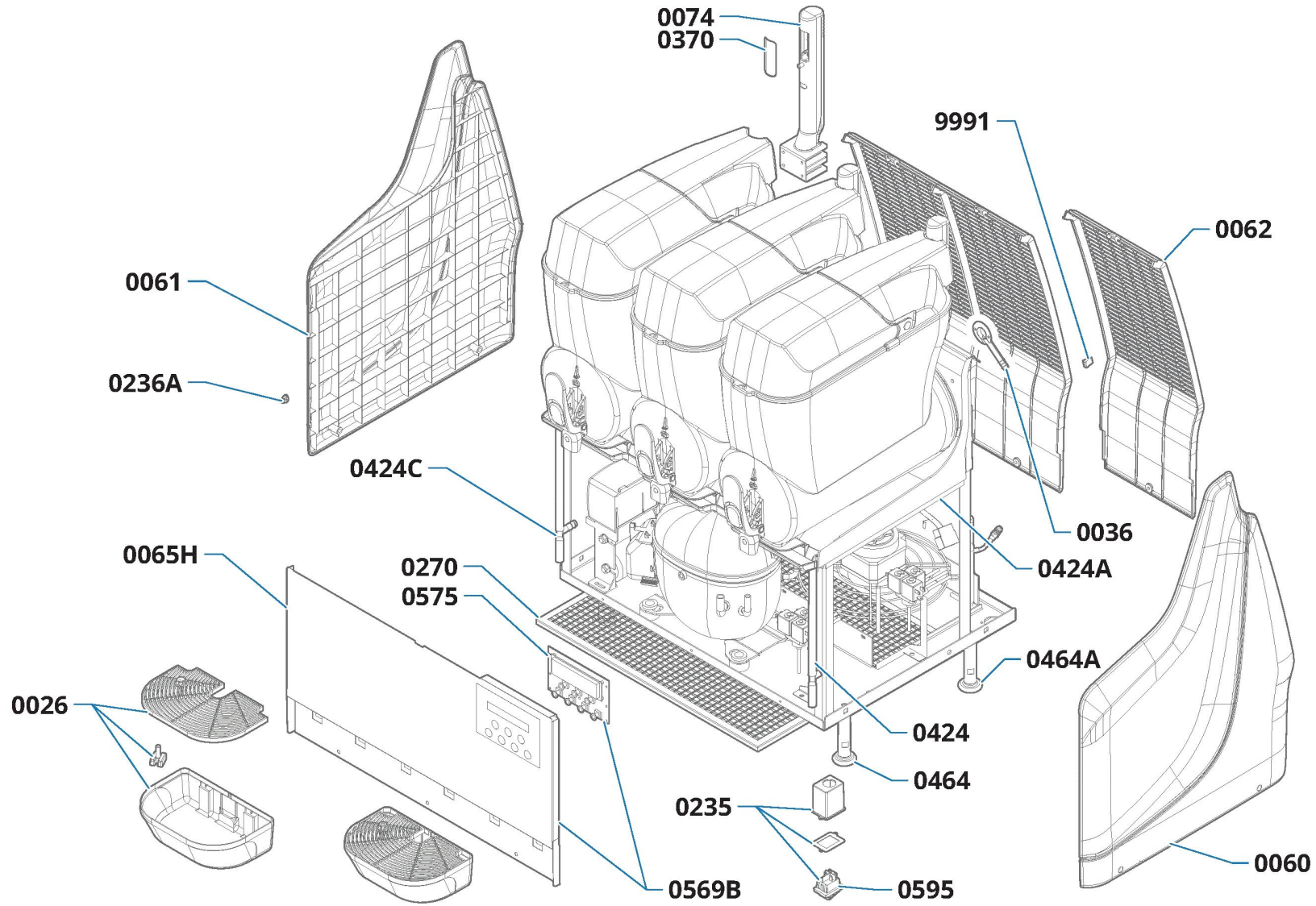
Les données techniques contenues dans ce document sont fournies à titre indicatif et non contraignant, dans la mesure où CARPIGIANI HORECA se réserve le droit d'apporter à tout moment des modifications et des améliorations à ses produits pour en élever constamment la qualité.

#### **CARPIGIANI HORECA**

Alle Rechte vorbehalten

Das vorliegende Handbuch bzw. Teile davon dürfen nicht ohne vorherige schriftliche Genehmigung der Fa. CARPIGIANI HORECA nachgedruckt, in Speichersystemen abgelegt oder in beliebiger Form und mit beliebigen Mitteln an Dritte weitergegeben werden.

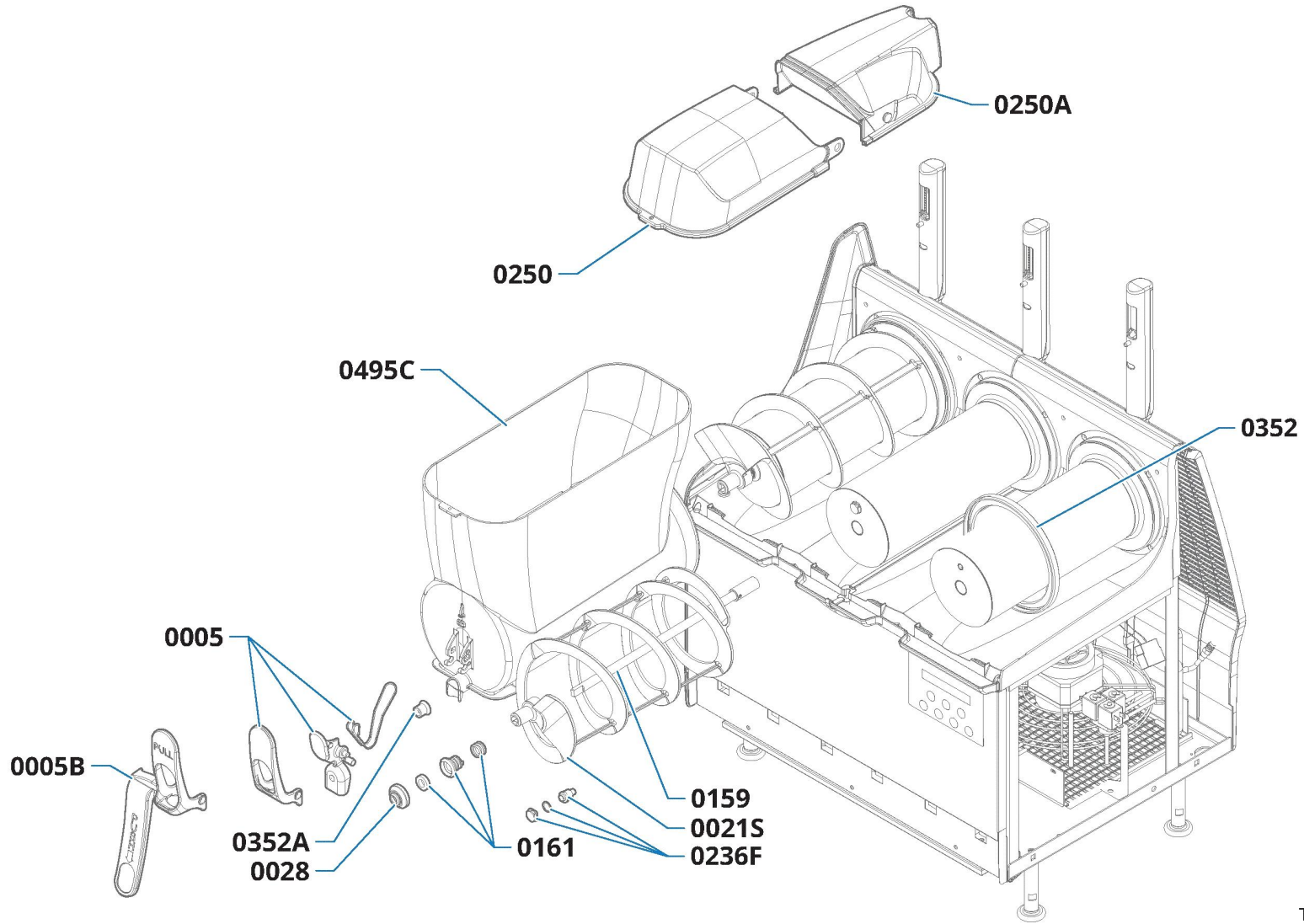
Die Fa. CARPIGIANI HORECA behält sich das Recht vor, in Sinne der laufenden Steigerung der Qualität jederzeit und ohne Ankündigung Änderungen und Verbesserungen an ihren Produkten vorzunehmen. Daher kann auch die vorliegende Veröffentlichung Änderungen unterliegen.



Pos.	Code	Description
00026	<a href="#">SL340000536</a>	DRIPPING TRAY + GRATING GT BLACK + G Ty05
00036	<a href="#">SL171-005976</a>	CONDENSATION DISCHARGE V-AIR
00060	<a href="#">SL102-005517</a>	RIGHT SIDE PANEL
00061	<a href="#">SL102-005518</a>	LEFT SIDE PANEL
00062	<a href="#">SL102-005119</a>	REAR PANEL
00074	<a href="#">SL163-008186</a>	LIGHT TUBE
00270	<a href="#">SL193-017241</a>	AIR FILTER V-AIR 3 ECO
00370	<a href="#">SL158-006276</a>	LIGHT TUBE SCREEN
00424	<a href="#">SL157-019527</a>	DRAIN EXIT 210mm
00464	<a href="#">SL310R00137</a>	FRONT NON-SLIP FOOT
00575	<a href="#">SL310R00202</a>	DISPLAY V-AIR 3
00595	<a href="#">SL578-003171</a>	GENERAL SWITCH
0065H	<a href="#">SL310R00194</a>	FRONT PANEL V-AIR 3
0236A	<a href="#">SL310R00146</a>	SIDE PANEL CAP
0424A	<a href="#">SL310R00348</a>	DRAIN EXIT 480mm
0424C	<a href="#">SL588-002861</a>	DRAIN Y $\diamond$ 12mm
0464A	<a href="#">SL310R00221</a>	REAR SLIDING FOOT
0569B	<a href="#">SL310R00200</a>	FRONT PANEL + DISPLAY V-AIR 3
09991	<a href="#">SL310R00195</a>	REAR PANEL STAPLES



SL8GE123930 - V-AIR 3 115/60 ECO UL - 02\_BOWL

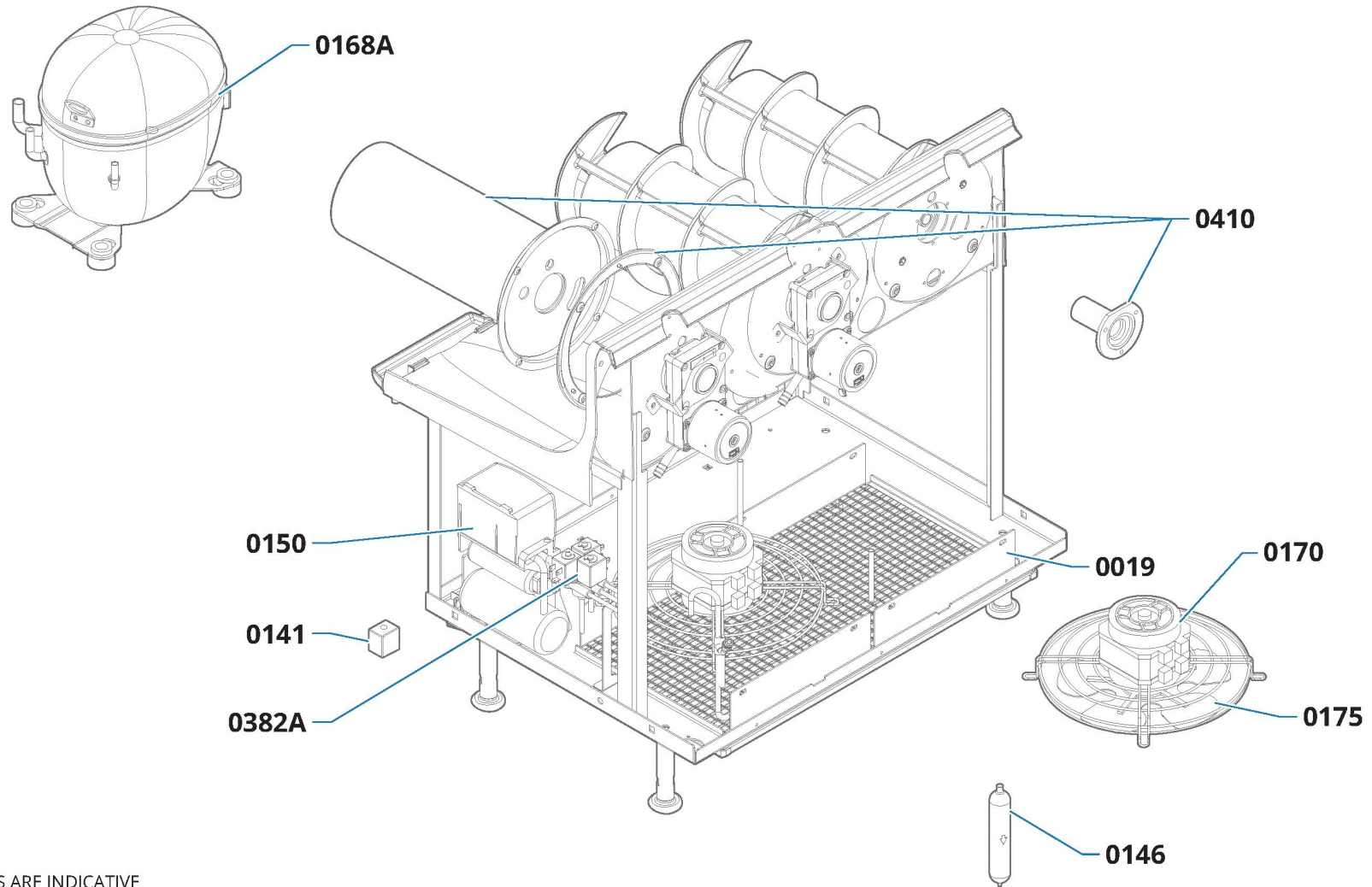


THE PICTURES ARE INDICATIVE

Pos.	Code	Description
00005	<a href="#">SL310005733</a>	TAP SET P&P
00028	<a href="#">SL158-011673</a>	SHAFT WATERTIGHT SEAL
0005B	<a href="#">SL118-003172</a>	TAP SET P&P LONG
00159	<a href="#">SL155-010836</a>	BEATER DRIVE SHAFT V-AIR
00161	<a href="#">SL158-011833</a>	FULL WATERTIGHT+ O-RINGS
0021S	<a href="#">SL142-007247</a>	SPIRAL SHOVEL V-AIR
00250	<a href="#">SL102-011952</a>	MOBILE COVER V-AIR
00352	<a href="#">SL158-019751</a>	TANK JOINT GNW HTV-R-401/55 V21
0236F	<a href="#">SL310005967</a>	FRONT PROBE CAP KIT
0250A	<a href="#">SL310R00144</a>	COVER FIXED V-AIR
0352A	<a href="#">SL310003783</a>	GASKET SPIGOT GNW RED
0495C	<a href="#">SL112-006271</a>	BOWL V-AIR



SL8GE123930 - V-AIR 3 115/60 ECO UL - 03\_REFRIGERATING SYSTEM

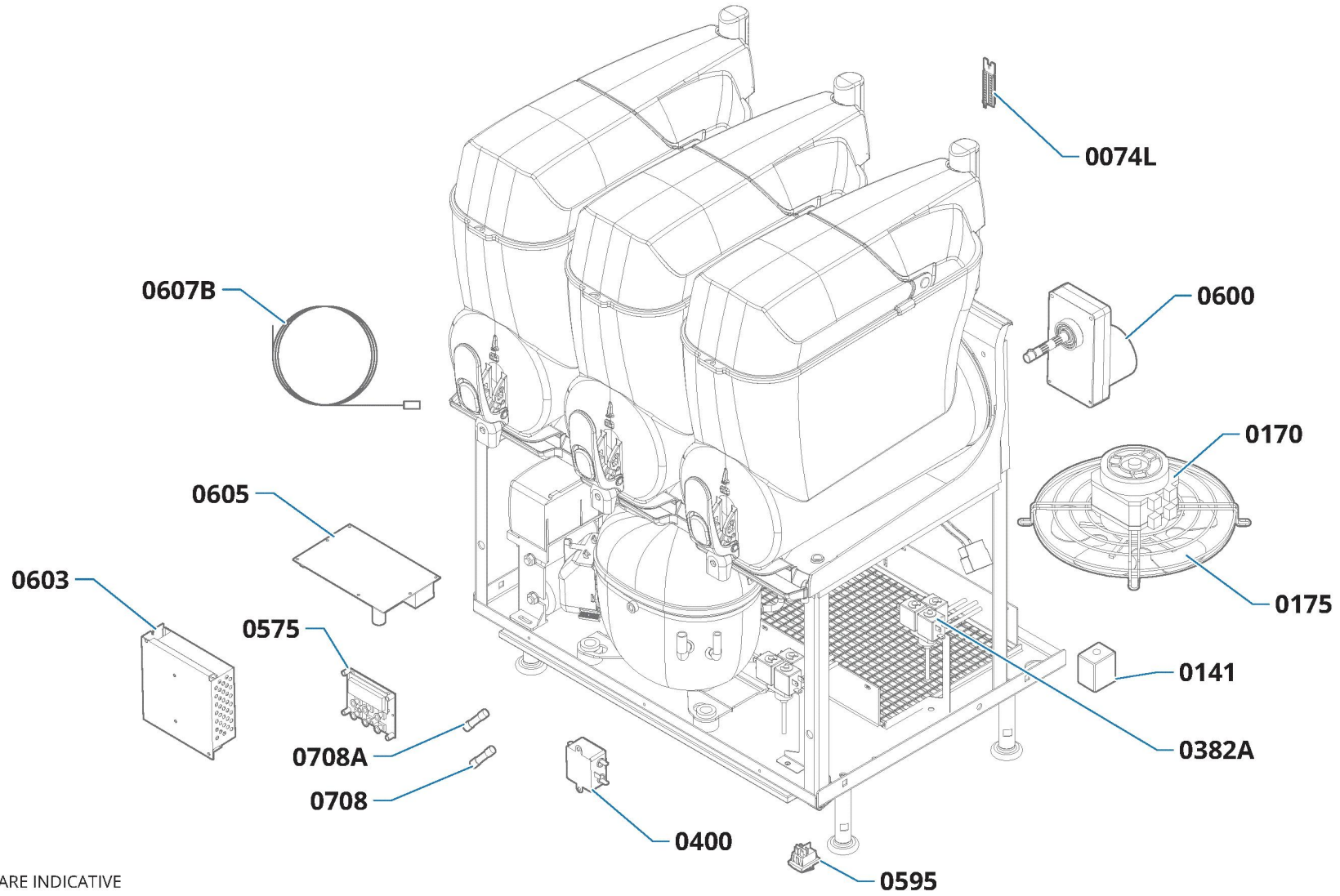


THE PICTURES ARE INDICATIVE

Pos.	Code	Description
00019	<a href="#">IC584-001471</a>	CONDENSER-AIR SANHUA HXL12599CARP001
00141	<a href="#">SL38EAD18GL</a>	EV COIL CEME 115/60
00146	<a href="#">SL320001719</a>	FILTER DRYER 1/4 CAP
00150	<a href="#">SL570-003154</a>	COMPRESSOR ELECTR.BOX NT6222UV CSR 115-60
00170	<a href="#">SL552-002932</a>	FULL MOTOVFAN 115/60 UL
00175	<a href="#">SL587-002775</a>	FAN BLADE
00410	<a href="#">SL310R00196</a>	EVAPORATOR V-AIR ECO
0168A	<a href="#">SL310R00277</a>	COMPRESSOR GT3 115/60 ECO
0382A	SL3GS36711B	FULL TRIPLE ELETTRON.CEME 230/50-60



SL8GE123930 - V-AIR 3 115/60 ECO UL - 04\_ELECTRICAL BOX



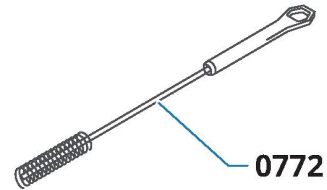
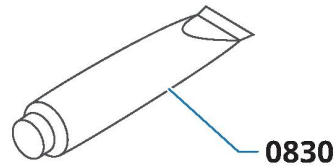
THE PICTURES ARE INDICATIVE

Pos.	Code	Description
00141	<a href="#">SL38EAD18GL</a>	EV COIL CEME 115/60
00170	<a href="#">SL552-002932</a>	FULL MOTOVFAN 115/60 UL
00175	<a href="#">SL587-002775</a>	FAN BLADE
00400	<a href="#">SL577-001708</a>	ANTI-JAMMING FILTER
00575	<a href="#">SL310R00202</a>	DISPLAY V-AIR 3
00595	<a href="#">SL578-003171</a>	GENERAL SWITCH
00600	<a href="#">SL310R00204</a>	MOTOR 24V BRS
00603	<a href="#">SL574-003319</a>	POWER SUPPLY 24DC
00605	SL578-002701	ELECTRONIC BOARD
00708	<a href="#">SL310005937</a>	SLOW BLOW FUSE 5X20 T1,6 A 250V
0074L	<a href="#">SL310R00105</a>	LED 12V
0382A	SL3GS36711B	FULL TRIPLE ELETTRIC CEME 230/50-60
0607B	<a href="#">SL310007282</a>	TEMPERATURE PROBE
0708A	<a href="#">SL576-001469</a>	FUSE 5x20 F3,15 A 250V FAST



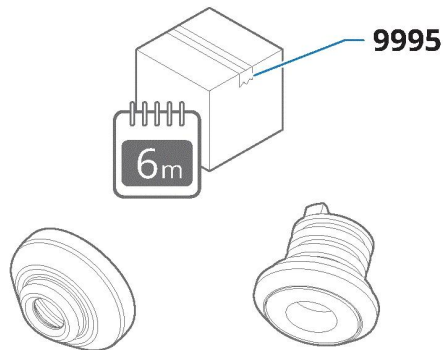
SL8GE123930 - V-AIR 3 115/60 ECO UL - 05\_KIT & ACCESSORIES

SERVICE KIT - KIT DE SERVICIO - KIT DI SERVIZIO - KIT DE SERVICES - SERVICE-KIT

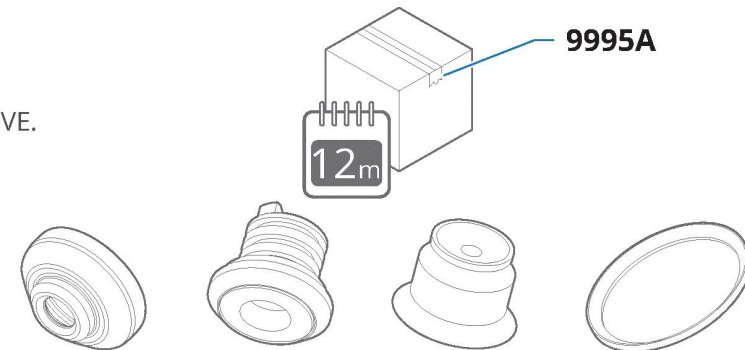


PREVENTIVE MAINTENANCE - MANTENIMIENTO PREVENTIVO - MANUTENZIONE PREVENTIVA  
 MAINTENANCE PRÉVENTIVE - VORBEUGENDE INSTANDHALTUNG

This parts must reapiaced every 6 months.  
 Estas piezas deben ser reemplazadas cada 6 meses.  
 Queste parti devono essere sostituite ogni 6 mesi.  
 Ces pièces doivent être remplacées tous les 6 mois.  
 Diese Teile müssen alle 6 Monate erneuert werden.



This parts must reapiaced every 12 months.  
 Estas piezas deben ser reemplazadas cada 12 meses.  
 Queste parti devono essere sostituite ogni 12 mesi.  
 Ces pièces doivent être remplacées tous les 12 mois.  
 Diese Teile müssen alle 12 Monate erneuert werden.



THE PICTURE ARE INDICATIVE.

Pos.	Code	Description
00772	<a href="#">IC599100108</a>	BRUSH FINE DIA.8X250
00830	<a href="#">SL310010577</a>	VASELINE TUBE
09995	<a href="#">SL310R06M01</a>	SERVICE KIT 6M V-AIR 1 BLISTER
9995A	<a href="#">SL310R1GE01</a>	SERVICE KIT 1YEAR V-AIR 1 BLISTER