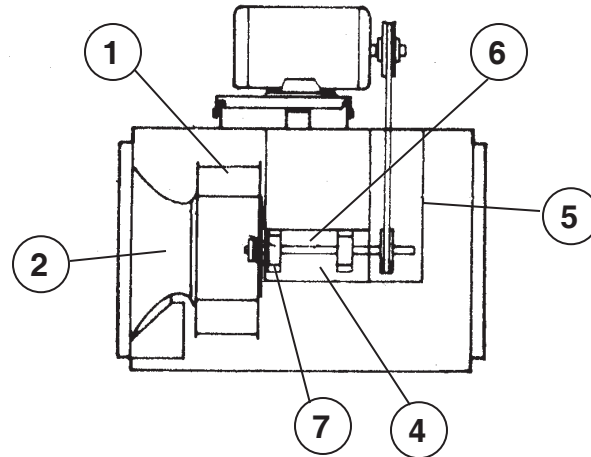
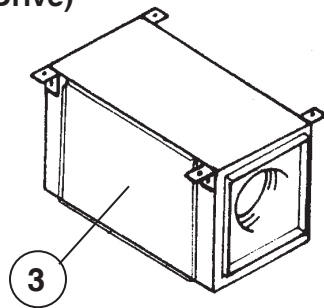


Model VIBK — Sizes 06 - 42 (Belt Drive)



STANDARD CONSTRUCTION - COATED STEEL

Model VIBK Size	1 Wheel	2 Inlet Venturi	3 Access Panel (2)	4 Bearing Shroud Assembly
06	V384-0544*	V384-8021	V384-8202	V384-8365
08	V384-0548*	V384-8021	V384-8202	V384-8365
10	V384-0552*	V384-8022	V384-8204	V384-8366
12	V384-0555*	V384-8022	V384-8204	V384-8366
15	V384-0559*	V384-8023	V384-8205	V384-8366
18	V384-0563*	V384-8034#	V384-8206	V384-8366
21	V384-0565	V384-8035#	V384-8207	V384-8367
24	V384-0566	V384-8036#	V384-8208	V384-8367
30	V384-0536	V384-8037#	V384-8209	V384-8368
36	V384-0637	V384-8038#	V384-8210	V384-8369
42	V384-0638	V384-8039#	V384-8210	V384-8369

* - Includes set screw

- Aluminum standard construction

STANDARD CONSTRUCTION - COATED STEEL (Continued)

Model VIBK Size	5 Vent Tube Cover	6 Fan Shaft	7 Pillowblock Bearings (2 Required)
06	V384-8291	V998-5433	V999-8606
08	V384-8291	V998-5433	V999-8606
10	V384-8292	V998-5434	V999-8606
12	V384-8292	V998-5433	V999-8606
15	V384-8293	V998-5433	V999-8606
18	V384-8294	V998-5433	V999-8606
21	V384-8295	V998-5423	V999-8637
24	V384-8296	V998-5423	V999-8637
30	V384-8297	V998-5435	V999-8632
36	V384-8298	V998-5428*	V999-8633
42	V384-8298	V998-5429	V999-8634

* Units shipped before 4/30/2000, shaft is V998-5436

ALUMINUM CONSTRUCTION

Model VIBK Size	1 Spark Resistant Wheel	2 Inlet Venturi	3 Access Panel (2)
06	STANDARD*	V384-8031	V384-8182
08	STANDARD*	V384-8031	V384-8182
10	STANDARD*	V384-8032	V384-8184
12	STANDARD*	V384-8032	V384-8184
15	STANDARD*	V384-8033	V384-8185
18	STANDARD*	V384-8034	V384-8186
21	STANDARD	V384-8035	V384-8187
24	STANDARD	V384-8036	V384-8188
30	V384-0631	V384-8037	V384-8189
36	V384-0632	V384-8038	V384-8190
42	V384-0633	V384-8039	V384-8190

* - Includes set screw

ALUMINUM CONSTRUCTION *(Continued)*

Model VIBK Size	4 Bearing Shroud Assembly	5 Vent Tube Cover
06	V384-8361	V384-8281
08	V384-8361	V384-8281
10	V384-8362	V384-8282
12	V384-8362	V384-8282
15	V384-8362	V384-8283
18	V384-8362	V384-8284
21	V384-8363	V384-8285
24	V384-8363	V384-8286
30	V384-8364	V384-8287
36	V384-8370	V384-8288
42	V384-8370	V384-8288