

4427NP Series Refrigerators®

4427NP-6, 4427NP-8, 4427NP-9M, 4427NP-12M -
R290

Current

Original Parts List

This list may contain older part numbers that may be used to cross reference with new part numbers.

Part	Part Number	Full Description	Notes	Model specific Parts
ADAPTOR BAR			See Drawing Below	
CAP TUBE	000-BHJ-0031-S	ASSY,HEAT EXCHANGE,R290,SM with cap-tube assembly		
CASTER 3" W/OUT BRAKE	3237559	CASTER,3,PLT,SWVL,SFT	Verify size with customer - 250 lb load - swivel	
CASTER 3" W/OUT BRAKE	3239634	CASTER,3",RIGID	Verify size with customer - 250 lb load - rigid	
CASTER 3" WITH BRAKE	MCP00175	CASTER,3,PLT,SWVL,BRK,	Verify size with customer - 300 lb load - swivel with brake	
CASTER 5" W/OUT BRAKE	3239633	CASTER,5",RIGID,POLYEFLN	Verify size with customer	
CASTER 5" WITH BRAKE	3234161	CASTER,5,PLT,SWVL,BRK,POLYOLEFIN	Verify size with customer	
COMPRESSOR	3527195	COMP,R290,0.30HP,115V TCW410U-D56B,115/60/1	Comes with start components	
COMPRESSOR OVERLOAD	3527205	OVERLOAD,COMP,3527198 TECUMSEH 830-10087	Comes with compressor	
COMPRESSOR RELAY	3527207	RELAY,COMP,3527198 TECUMSEH 820-10082	Comes with compressor	
COMPRESSOR START CAP	3527206	START CAP,COMP, 3527198 TECUMSEH 855-10097	Comes with compressor	
CONDENSATE LOOP	3516486	TUBE,COND LOOP,PREP		
CONDENSATE PAN	1708896	PAN,COND,4400 LARGE,14.5X9.7,GRAY		
CONDENSER COIL	3516483	COIL,COND,R290,PREP		
CONDENSER FAN BLADE	3516457	BLADE,FAN,7.25 DIA,30 DEG,CW		
CONDENSER FAN MOTOR	2162666	MOTOR,FAN,6 W		
CORD/PLUG ASSY	2187272	CORD,LEAD,18/3 W/NEMA 5-15P	Cord and plug	
COVER - HINGED	000-B59-0031-S	ASSY,CVR,HINGE,6S		(D)4427NP-6,ST4427NP-6
COVER - LIFT OFF	000-B59-004U-S	ASSY,CVR,LIFT OFF,6PAN		(D)4427NP-6,ST4427NP-6
COVER - LIFT OFF	000-B59-004W-S	ASSY,CVR,LIFT OFF,9M		(D)4427NP-9M
COVER - LIFT OFF	000-B59-004Y-S	ASSY,CVR,LIFT OFF,27-8		(D)4427NP-8,ST(D)4427NP-8
COVER - LIFT OFF	000-B59-004Z-S	ASSY,CVR,LIFT OFF,27-12		(D)4427NP-12M
COVER - SLIDEBACK	000-B59-004R-S	ASSY,SLIDE,9M		(D)4427NP-9M
COVER - SLIDEBACK	000-B59-C00M-S	ASSY,COVER,SLIDING,27-12M		(D)4427NP-12M
COVER - SLIDEBACK	000-B59-C045-S	ASSY,TLSCP,27-8S		(D)4427NP-8,ST(D)4427NP-8
COVER - TELESCOPING	000-B59-005G-S	ASSY,TLSCP,27-12M		(D)4427NP-12M
COVER - TELESCOPING	000-B59-005H-S	ASSY,TLSCP,27-8S		(D)4427NP-8,ST(D)4427NP-8
COVER - TELESCOPING	000-B59-005J	ASSY,TLSCP,6S		(D)4427NP-6,ST4427NP-6
COVER - TELESCOPING	000-B59-005M-S	ASSY,TLSCP,9M		(D)4427NP-9M
CUTTING BOARD	Consult factory		Consult factory	
DOOR - S/S	000-B4X-003D-S	ASSY,DR,RH,PREP,27	Comes with gasket & hinges	
DOOR - S/S	000-B4X-003G-S	ASSY,DR,LH,PREP,27	Comes with gasket & hinges	
DOOR GASKET - S/S	1702474	GASKET,DR,27,4400		
DOOR HINGE KIT	RF000066-S	KIT,HINGE,DR	Includes spring cartridge	
DOOR HINGE SPRING CARTRIDGE	3230010	HINGE,CARTRIDGE,25INLBS	Spring cartridge. Included in hinge kit RF000066-S	
DRAWER ASSY - COMPLETE DOUBLE	000-B4Y-004A-S	ASSY,DRW,PREP,27	Includes complete top and bottom drawer with slides and stationary cage that sets in the unit.	
DRAWER BOX	000-333-004H-S	ASSY,BOX,DRW,PREP,27		
DRAWER FRONT	000-C16-003P-S	ASSY,DRW FRT,PREP,27	Comes with gasket	
DRAWER GASKET	1702524	GASKET,DRW,4427N,2 HIGH		
DRAWER SLIDE LEFT	3234941	INTERM PROFILE,LH,DRW SLIDE, 4400		
DRAWER SLIDE RIGHT	3234942	INTERM PROFILE,RH,DRW SLIDE, 4400		
EVAPORATOR COIL	3516484	COIL,EVAP,3ROW,16		
EVAPORATOR DRAIN PAN	000-BYM-0030-S	ASSY,WELD,PAN,PREP,SM		

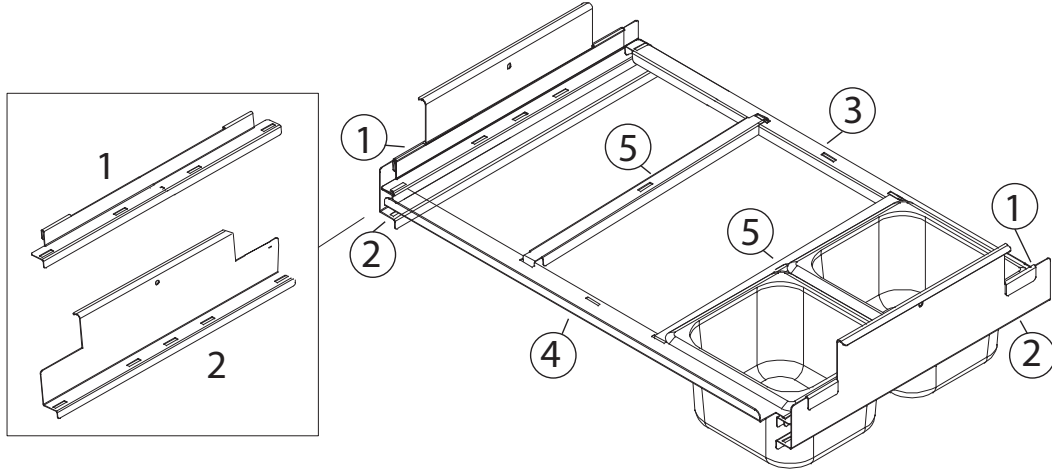
Part	Part Number	Full Description	Notes	Model specific Parts
EVAPORATOR FAN MOTOR	2160023	FAN,AXIEL,MECHATRONICS 120V	Comes with blade	
FILTER DRIER	3516352	FILTER-DRYER,(2) INLET		
PROBE - AIR/CABINET	2194836	PROBE,AIR SENSING		
PROBE - COIL/DEFROST	2194835	PROBE,DEFROST,DANFOSS		
SHELF	3978274	SHELF,27,4400,SLVR,FRZ		
TEMP CONTROL COLD	000-C20-0273-5	ASSY,CTRL,PREP		

(D)4427NP-6 & ST4427NP-6

Adapter Bar Parts

For units produced 2018 and after

# in Drawing	Location	Part Number	Description	Qty Per Opening
1	Side bar upper	409-CBW-003H-S	BRACKET 6/8 PAN STANDARD LOCKING	2
2	Side bar lower	409-CBW-003D-S	PAN RAIL INSERT 6M AND 8M TO DROP PANS 1"	2
3	Back bar	409-CBV-003A-S	ADAPTER BAR 20.54 LOCKING	1
4	Front bar	409-CD2-0037-S	ADAPTER BAR 6 PAN FRONT	1
5	Center bar	409-CBV-0039-S	ADAPTER BAR 12" LOCKING	2

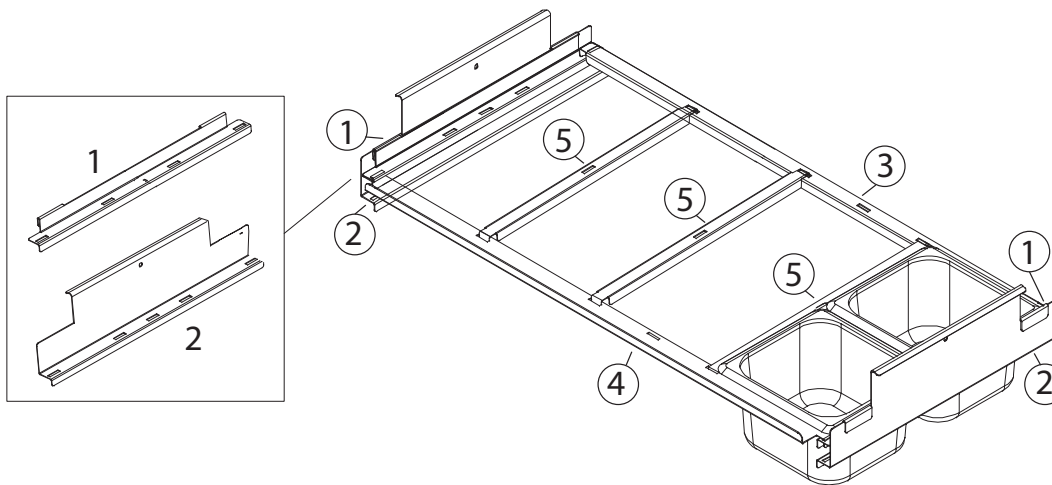


(D)4427NP-8 & ST(D)4427NP-8

Adapter Bar Parts

For units produced 2018 and after

# in Drawing	Location	Part Number	Description	Qty Per Opening
1	Side bar upper	409-CBW-003H-S	BRACKET 6/8 PAN STANDARD LOCKING	2
2	Side bar lower	409-CBW-003D-S	PAN RAIL INSERT 6M AND 8M TO DROP PANS 1"	2
3	Back bar	409-CBV-0038-S	DIVIDER BAR 8 PAN	1
4	Front bar	409-CD2-0035-S	ADAPTER BAR FRONT 27.54 SCREWED ON	1
5	Center bar	409-CBV-0039-S	ADAPTER BAR 12" LOCKING	3

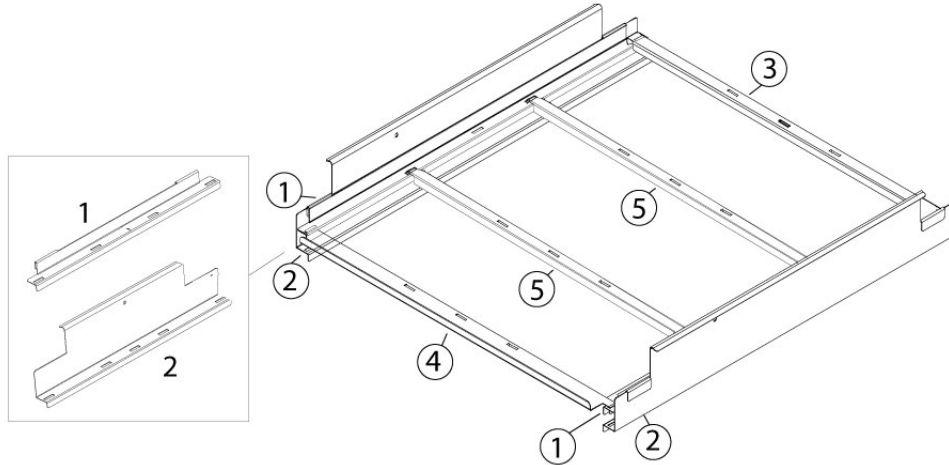


(D)4427NP-9M

Adapter Bar Parts

For units produced 2018 and after

# in Drawing	Location	Part Number	Description	Qty Per Opening
1	Side bar upper	409-CBW-003B-S	BRKT,PANS,9M,ADJ	2
2	Side bar lower	409-CBW-003G-S	RAIL PAN INSERT 9 PAN	2
3	Back bar	409-CBV-003A-S	ADAPTER BAR 20.54 LOCKING	1
4	Front bar	409-CD2-0037-S	DIVIDER,BAR,FRONT,6&9PAN	1
5	Center bar	409-CBV-003A-S	ADAPTER BAR 20.54 LOCKING	2



(D)4427NP-12M

Adapter Bar Parts

For units produced 2018 and after

# in Drawing	Location	Part Number	Description	Qty Per Opening
1	Side bar	409-CBV-003A-S	RAIL PAN 6M/9M/12M	2
2	Back bar	380-CBV-003B-S	ADAPTER BAR 12 PAN INSERT 25.17 X .45	1
3	Front bar	380-CD2-0038-S	DIVIDER BAR FRONT 12M PAN 25.17 long	1
4	Center bar	409-CBV-003A-S	ADAPTER BAR 20.54 LOCKING	3

