

4464NP Series Refrigerators®

4464NP-8, 4464NP-12, 4464NP-12M, 4464NP-16,
4464NP-18M, 4464NP-24M - R290

Current

Original Parts List

This list may contain older part numbers that may be used to cross reference with new part numbers.

4464NP Series® Current

Parts List

Part	Part Number	Full Description	Notes	Model specific Parts
ADAPTOR BAR			See Drawing Below	
CAP TUBE	000-BHJ-0032-S	ASSY,HEAT EXCHANGE,R290,LG with captube assembly		
CASTER 3" W/OUT BRAKE	MCP00201	CASTER,3DIA,SWIVEL,PLATE	Verify size with customer - 250 lb load - swivel	
CASTER 3" W/OUT BRAKE	3239634	CASTER,3",RIGID	Verify size with customer - 250 lb load - rigid	
CASTER 3" WITH BRAKE	MCP00175	CASTER,3,PLT,SWVL,BRK,	Verify size with customer - 300 lb load - swivel with brake	
CASTER 5" W/OUT BRAKE	3234160	CASTER,5",RIGID,POLYEFLN	Verify size with customer	
CASTER 5" WITH BRAKE	3234161	CASTER,5,PLT,SWVL,BRK,POLYOLEFIN	Verify size with customer	
COMPRESSOR	3527193	COMP.R290,TECUMSEH,TCX415U-DS1B	2019-01/11/2026 - Comes with start components	
COMPRESSOR OVERLOAD	3520015	OVERLOAD,COMP,3527193 TECUMSEH PN 830-10	2019-01/11/2026 - For compressor #3527193	
COMPRESSOR RELAY	3520013	START RELAY,COMP 3527193 TECUMSEH# 9660C	2019-01/11/2026 - For compressor #3527193	
COMPRESSOR START CAP	3520014	START CAP, COMP,3527193 TECUMSEH PN 855-	2019-01/11/2026 - For compressor #3527193	
COMPRESSOR	3520021	COMP W/ELEC,FOR 3527234 EMBRACO	01/12/2026-Current - Comes with start components.	
COMPRESSOR OVERLOAD	2190174	OLP OVERLOAD,FOR 3527234 EMBRACO	01/12/2026-Current - For compressor #3520021	
COMPRESSOR RUN CAP	3510159	RUN CAPACITR,FOR 3527234 EMBRACO	01/12/2026-Current - For compressor #3520021	
COMPRESSOR START CAP	2190171	PTC START,FOR 3527231 EMBRACO	01/12/2026-Current - For compressor #3520021	
CONDENSATE LOOP	3516486	TUBE,COND LOOP,PREP	2019-1/11/2026	
CONDENSATE LOOP	3510160	LOOP,HOT GAS,FOR 3527234 EMBRACO	01/12/2026-Current	
CONDENSATE PAN	1708896	PAN,COND,4400 LARGE,14.5X9.7,GRAY	2019-05/2024	
CONDENSATE PAN	000-AMR-0035-S	ASSY,COND,ELEC,4400,RECT	06/2024-1/11/2026	
CONDENSATE PAN	3510161	PAN,COND EVAP,3527234 EMBRACO	01/12/2026-Current	
CONDENSER COIL	3516483	COIL,COND,R290,PREP	2019-01/11/2026	
CONDENSER COIL	3510156	COIL,COND3527233/3527234 EMBRACO	01/12/2026-Current	
CONDENSER FAN BLADE	3516432	BLADE,FAN,25DEG,8.75"	2019-1/11/2026	
CONDENSER FAN MOTOR	2162717	MOTOR,FAN,9W,115V,CW	2019-1/11/2026	
CONDENSER FAN MOTOR	2160050	FAN,COND,FOR 3527231 EMBRACO	01/12/2026-Current - Includes blade.	
CORD/PLUG ASSY	2187272	CORD,LEAD,18/3 W/NEMA 5-15P	Cord and plug	
COVER - HINGED	000-B59-005R-S	ASSY,CVR,HINGE,8S,LF	Left hinged cover	(D)4464NP-16
COVER - HINGED	000-B59-005S-S	ASSY,CVR,HINGE,8S,RT	Right hinged cover	(D)4464NP-16
COVER - HINGED	000-B59-005T-S	ASSY,CVR,HINGE,6S,LF,64	Left hinged cover	(D)4464NP-12,ST(D)4464NP-12
COVER - HINGED	000-B59-005U-S	ASSY,CVR,HINGE,6S,RT,64	Right hinged cover	(D)4464NP-12,ST(D)4464NP-12
COVER - LIFT OFF	000-B59-004U-S	ASSY,CVR,LIFT OFF,6PAN		"(D)4464NP-12,ST(D)4464NP-12 (D)4464NP-12M,ST(D)4464NP-12M (D)4464NP-18M,ST(D)4464NP-18M (D)4464NP-24M"
COVER - LIFT OFF	000-B59-004V-S	ASSY,CVR,LIFT OFF,8PAN		"(D)4464NP-8,ST(D)4464NP-8 (D)4464NP-16"
COVER - SLIDEBACK	000-B59-004N-S	ASSY,SLIDE,6M,LF	Left slideback cover	"(D)4464NP-18M,ST(D)4464NP-18M (D)4464NP-24M"
COVER - SLIDEBACK	000-B59-004P-S	ASSY,SLIDE,6M,RT	Right slideback cover	"(D)4464NP-18M,ST(D)4464NP-18M (D)4464NP-24M"
COVER - SLIDEBACK	000-B59-004Q-S	ASSY,SLIDE,6M,CTR	Center slideback cover	"(D)4464NP-18M,ST(D)4464NP-18M (D)4464NP-24M"
COVER - SLIDEBACK	000-B59-C01K-S	ASSY,SLDBCKCVR,12M,TM		(D)4464NP-12M,ST(D)4464NP-12M
COVER - TELESOPING	000-B59-005J-S	ASSY,TLSCP,6S		(D)4464NP-12,ST(D)4464NP-12
COVER - TELESOPING	000-B59-005K-S	ASSY,TLSCP,8S		"(D)4464NP-8,ST(D)4464NP-8 (D)4464NP-16"

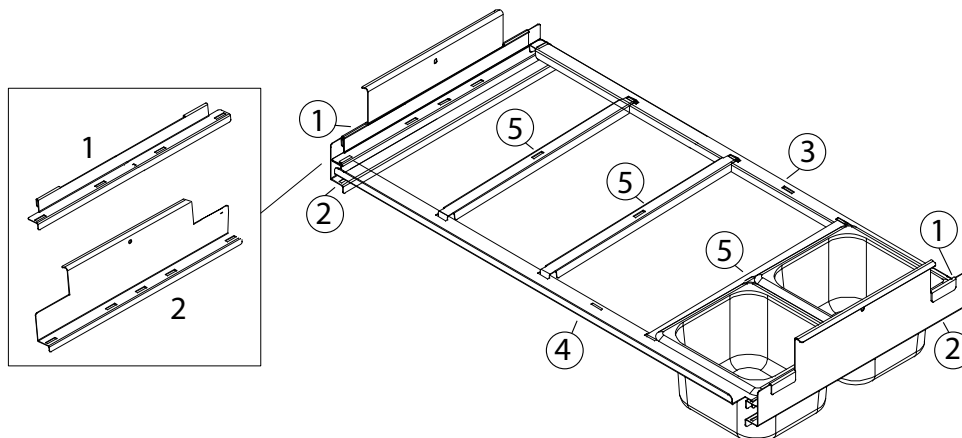
Part	Part Number	Full Description	Notes	Model specific Parts
COVER - TELESOPING	000-B59-005N-S	ASSY,TLSCP,12M,DBL		"(D)4464NP-12M,ST(D)4464NP-12M (D)4464NP-24M"
COVER - TELESOPING	000-B59-005Q-S	ASSY,TLSCP,18M		(D)4464NP-18M,ST(D)4464NP-18M
CUTTING BOARD	Consult factory		Consult factory	
DOOR - S/S	000-B4X-003S-S	ASSY,DR,RH,PREP,32	Comes with gasket & hinges	
DOOR - S/S	000-B4X-004Q-S	ASSY,DR,LH,PREP,32	Comes with gasket & hinges	
DOOR GASKET - S/S	1702475	GASKET,DR,32,4400		
DOOR HINGE KIT	RF000066-S	KIT,HINGE,DR	Includes spring cartridge.	
DOOR HINGE SPRING CARTRIDGE	3230010	HINGE,CARTRIDGE,25INLBS	Spring cartridge. Included in hinge kit RF000066-S	
DRAWER ASSY - COMPLETE DOUBLE	000-B4Y-004D-S	ASSY,DRW,PREP,32	Includes complete top and bottom drawer with slides and stationary cage that sets in the unit.	
DRAWER BOX	000-333-004K-S	ASSY,BOX,DRW,PREP,32		
DRAWER FRONT	000-C16-003V-S	ASSY,DRW FRT,PREP,32	Comes with gasket	
DRAWER GASKET	1702522	GASKET,DRW,4432N,2 HIGH		
DRAWER SLIDE LEFT	3234941	INTERM PROFILE,LH,DRW SLIDE, 4400		
DRAWER SLIDE RIGHT	3234942	INTERM PROFILE,RH,DRW SLIDE, 4400		
EVAPORATOR COIL	3516485	COIL,EVAP,3ROW,33		
EVAPORATOR DRAIN PAN	000-BYM-0031-S	ASSY,WELD,PAN,PREP,LG		
EVAPORATOR FAN MOTOR	2160023	FAN,AXIEL,MECHATRONICS 120V	Comes with fan blade	
FILTER DRIER	3516352	FILTER-DRYER,(2) INLET		
PROBE - AIR/CABINET	2194756	PROBE,AIR SENSING	No Stripes	
PROBE - COIL/DEFROST	2194755	PROBE, DEFROST,CONTROL	2 Blue Stripes	
SHELF	3978276	SHELF,32,PREP		
TEMP CONTROL COLD	000-CZ0-0273-S	ASSY,CTRL,PREP		

(D)4464NP-8 & ST(D)4464NP-8

Adapter Bar Parts

For units produced 2018 and after

# in Drawing	Location	Part Number	Description	Qty Per Opening
1	Side bar upper	409-CBW-003H-S	BRACKET 6/8 PAN STANDARD LOCKING	2
2	Side bar lower	409-CBW-003D-S	PAN RAIL INSERT 6M AND 8M TO DROP PANS 1"	2
3	Back bar	409-CBV-0038-S	DIVIDER BAR 8 PAN	1
4	Front bar	409-CD2-0035-S	ADAPTER BAR FRONT 27.54 SCREWED ON	1
5	Center bar	409-CBV-0039-S	ADAPTER BAR 12" LOCKING	3

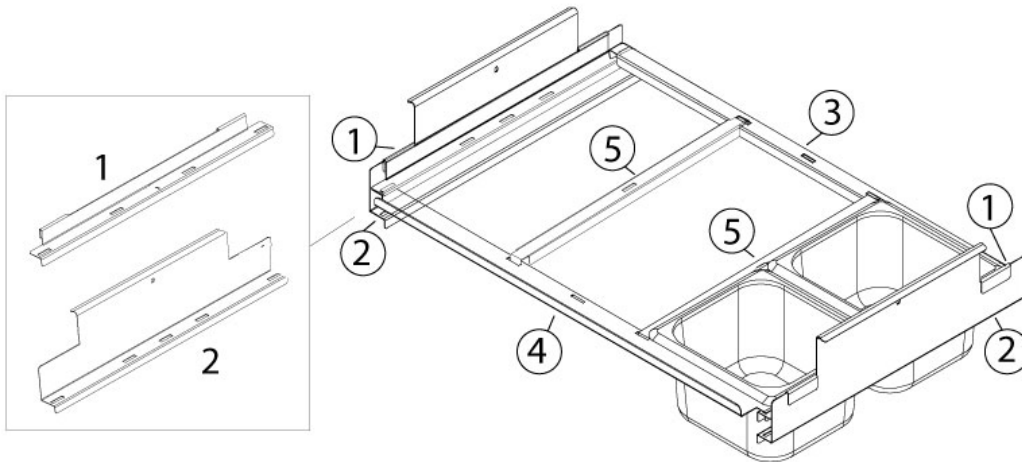


(D)4464NP-12 & ST(D)4464NP-12

Adapter Bar Parts

For units produced 2018 and after

# in Drawing	Location	Part Number	Description	Qty Per Opening
1	Side bar upper	409-CBW-003H-S	BRACKET 6/8 PAN STANDARD LOCKING	2
2	Side bar lower	409-CBW-003D-S	PAN RAIL INSERT 6M AND 8M TO DROP PANS 1"	2
3	Back bar	409-CBV-003A-S	ADAPTER BAR 20.54 LOCKING	1
4	Front bar	409-CD2-0037-S	ADAPTER BAR 6 PAN FRONT	1
5	Center bar	409-CBV-0039-S	ADAPTER BAR 12" LOCKING	2

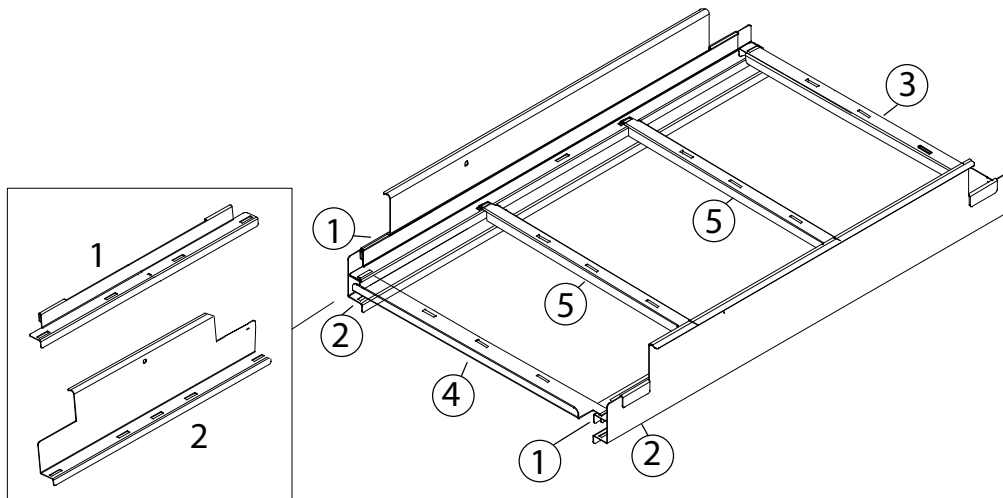


(D)4464NP-12M & ST(D)4464NP-12M

Adapter Bar Parts

For units produced 2018 and after

# in Drawing	Location	Part Number	Description	Qty Per Opening
1	Side bar upper	409-CBW-003F-S	BRKT,PANS,MEGA,ADJ	2
2	Side bar lower	409-CBW-003B-S	RAIL PAN 6M/9M/12M	2
3	Back bar	409-CBV-0039-S	ADAPTER BAR 12" LOCKING	1
4	Front bar	409-CD2-0036-S	DIVIDER BAR FRONT 6M PAN	1
5	Center bar	409-CBV-0039-S	ADAPTER BAR 12" LOCKING	2

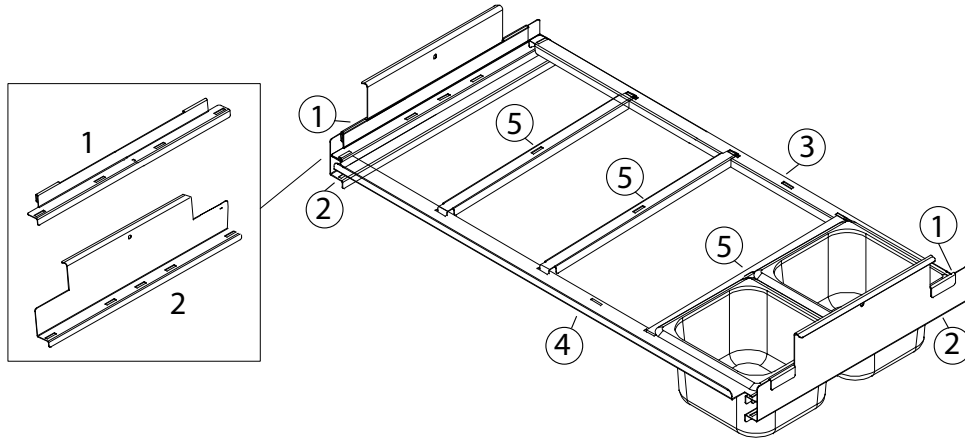


(D)4464NP-16

Adapter Bar Parts

For units produced 2018 and after

# in Drawing	Location	Part Number	Description	Qty Per Opening
1	Side bar upper	409-CBW-003H-S	BRACKET 6/8 PAN STANDARD LOCKING	2
2	Side bar lower	409-CBW-003D-S	PAN RAIL INSERT 6M AND 8M TO DROP PANS 1"	2
3	Back bar	409-CBV-0038-S	DIVIDER BAR 8 PAN	1
4	Front bar	409-CD2-0035-S	ADAPTER BAR FRONT 27.54 SCREWED ON	1
5	Center bar	409-CBV-0039-S	ADAPTER BAR 12" LOCKING	3

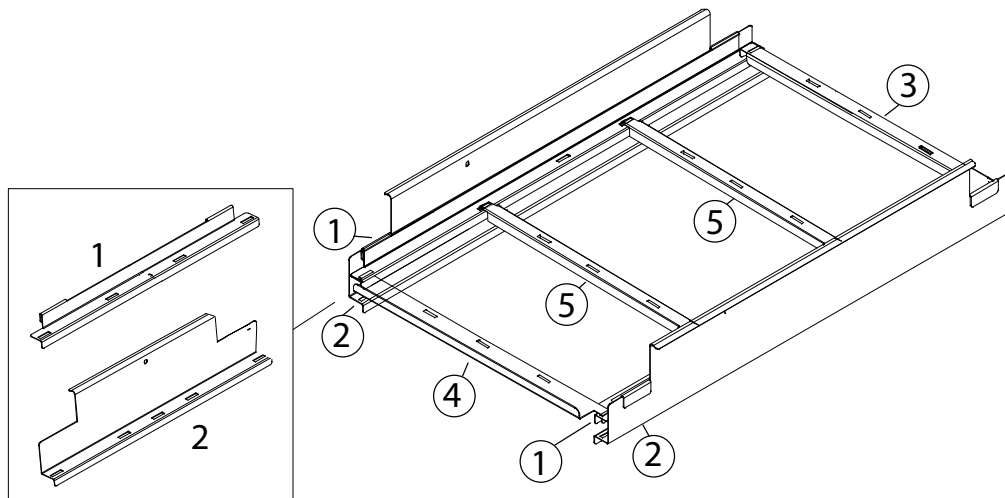


(D)4464N-18M & ST(D)4464N-18M

Adapter Bar Parts

For units produced 2018 and after

# in Drawing	Location	Part Number	Description	Qty Per Opening
1	Side bar upper	409-CBW-003F-S	BRKT,PANS,MEGA,ADJ	2
2	Side bar lower	409-CBW-003B-S	RAIL PAN 6M/9M/12M	2
3	Back bar	409-CBV-0039-S	ADAPTER BAR 12" LOCKING	1
4	Front bar	409-CD2-0036-S	DIVIDER BAR FRONT 6M PAN	1
5	Center bar	409-CBV-0039-S	ADAPTER BAR 12" LOCKING	2



(D)4464NP-24M Adapter Bar Parts

For units produced 2018 and after

# in Drawing	Location	Part Number	Description	Qty Per Opening
1	Side bar upper	409-CBW-003F-S	BRKT,PANS,MEGA,ADJ	2
2	Side bar lower	409-CBW-003B-S	RAIL PAN 6M/9M/12M	2
3	Back bar	409-CBV-0039-S	ADAPTER BAR 12" LOCKING	1
4	Front bar	409-CD2-0036-S	DIVIDER BAR FRONT 6M PAN	1
5	Center bar	409-CBV-0039-S	ADAPTER BAR 12" LOCKING	2

