

# Shelleyglas® /Shelleysteel® Mobile Serving Counters

## Parts List

Contents	
Carving Counters - Common Components .....	2
Frost Top Serving Counters - Common Components .....	2
Heated Serving Counters - Common Components.....	3
Heated and Ice Cooled Combo Counters - Common Components.....	4
Heated and Refrigerated Combo Counters - Common Components.....	4
Heated Trimline L-shaped Serving Counter - Common Components .....	4
Ice Cream Counters - Common Components.....	5
Milk Counters - Common Components .....	5
Milk And Ice Cream Counters - Common Components .....	5
Refrigerated Cold Pans - Common Components.....	6
Refrigerated w/ LiquiTec Cold Pans - Common Components.....	6
Refrigerated Cold Pans - Optional Components.....	6
Part Prints .....	7
Heated Door Assembly .....	7
Condensing Unit Assembly 1/4 H.P. R404a Low.....	8
Condensing Unit Assembly 1/3 H.P. R404a, Low.....	9
Food Well Assembly With Thermostat Control .....	10
500W Food Well .....	11

## Carving Counters - Common Components

Key	Description	Part Number
	Bulb, Heatlamp, 250W, 120V	2193947
	Caster, Swivel, Break	3234783
	Control, Infinite, 120V/15A	2194107KT-S
	Cord, Lead, 14/3 w/Nema 5-15 Plug	2183348
	Door Assembly, 18X16, Right	000-187-0062-S
	Heatlamp Assembly, Carving	000-BE5-0030-S
	Knob, Control, Infinite	3234557
	Lamp Assembly, Hatco LW-lr	2195283
	Light, Pilot, 125V, Red	2194190
	Meat Holder Assembly	000-BE9-0000-S
	Meat Holder Bar	043-B8X-0001-S
	Pan, Full Size, 2-1/2DP	3234117
	Switch, Rocker, 20A/125V,	2190154
	Switch, SPST, 15 AMP	2194099
	Well, Hot Food, w/o Drain	0160015-S

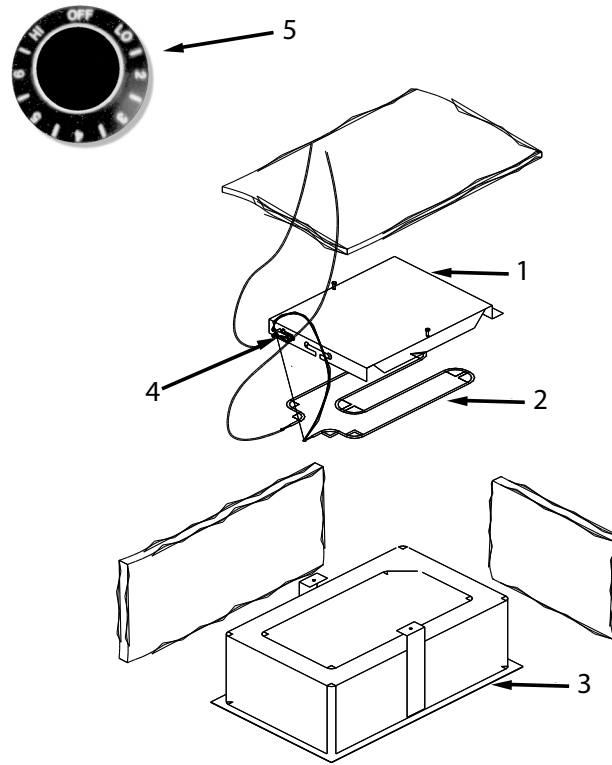
## Frost Top Serving Counters - Common Components

Description	Part Number	Note
Assy, 1/4 Hp Cond Unit	000-BN5-0030-S	[A]
Caster, 5, Plt, Swvl, Brk,	3234783	
Drain, Plastic, 1ips, 2.87	3234242	
Expansion Valve, 1/4, low	3516225	
Interlock Assy, Sq	3234669	
Panel, Shy Lvr, End	356-411-0001-S	[B]
Panel, Shy Lvr, Frt/rear	356-411-0000-S	[B]
Switch, Rocker, 20a/125v	2190154	

**NOTE:** [A] Exploded view on page 8.

**NOTE:** [B] Part drawing on page 7.

## Heated Serving Counters - Common Components



Key	Description	Part Number	KH/SH-2	KH/SH-3	KH/SH-4	KH/SH-5	KH/SH-6	KH/SH-2-NU	KH/SH-3-NU	KH/SH-4-NU	KH/SH-5-NU	KH/SH-6-NU	Note
	Food Warmer, 208V, w/o Drain	0160195-S	X	X	X	X	X	X	X	X	X	X	
1	Deflector Plate	026-061-0001-S	X	X	X	X	X	X	X	X	X	X	
2	Heating Element 208V	2194007	X	X	X	X	X	X	X	X	X	X	
	Heating Element	6190215	X	X	X	X	X						
3	Hot Food Well, 12 x 20	0160015-S	X	X	X	X	X	X	X	X	X	X	
4	Thermostat (Heated Insert)	2194460	X	X	X	X	X						
5	Control Knob	3234557	X	X	X	X	X	X	X	X	X	X	
	Heated Door Assembly	000-442-0031-S		X	X	X	X						[D]
	Heated Door Assembly	000-442-0030-S	X										[D]
	Hi-Limt Safety Switch	2194335	X	X	X	X	X	X	X	X	X	X	
	Infinite Control 208V	2194110KT-S	X	X	X	X	X	X	X	X	X	X	
	On/Off Switch	2194212	X	X	X	X	X	X	X	X	X	X	
	Pilot Light	2194095	X	X	X	X	X	X	X	X	X	X	

**NOTE:** [D] Assembly drawing on page 7.

## Heated and Ice Cooled Combo Counters - Common Components

Description	Part Number	Note
Access Panel	272-412-0000-S	[B]
Bottom, Perforated	265-102-0030-S	[B]
Caster, 5", with brake	3234783	
Control Knob	3234557	
Drain	3234242	
Food Warmer, 208V, w/o Drain	0160195-S	[C]
Heating Element	2194007	
Infinite Control 208V	2194110KT-S	
On/Off Switch	2194212	
Pilot Light	2194095	
Thermostat, Non Adjust (High Limit)	2194335	

**NOTE:** [B] Part drawing on page 7.

**NOTE:** [C] Exploded view on page 3.

## Heated and Refrigerated Combo Counters - Common Components

Description	Part Number	Note
Caster, 5", with brake	3234783	
Circuit Breaker	2194327	
Condensing Unit, 1/4HP	000-BN5-0030-S	[A]
Control Knob	3234557	
Drain	3234242	
Expansion Valve	3516225	
Food Warmer Assembly, 208V, w/o Drain	0160195-S	[C]
Heating Element	2194007	
Infinite Control 208V	2194110KT-S	
Louver Panel, End	356-411-0001-S	[B]
Louver Panel, Front/Rear	356-411-0000-S	[B]
Low Pressure Control	2193927	
On/Off Switch	2194212	
Pilot Light	2194095	
Rocker Switch	2190154	
Thermostat, Non Adjust (High Limit)	2194335	

**NOTE:** [A] Exploded view on page 8.

**NOTE:** [B] Part drawing on page 7.

**NOTE:** [C] Exploded view on page 3.

## Heated Trimline L-shaped Serving Counter - Common Components

Description	Part Number
Control, Infinite, 240V/15A	2194110KT-S
Cord, 10/3, 10.5 FT	2183390
Element, Heating, 208/230V	2194007
Hot Food Well Assembly w/o Drain	0160015-S
Insulation, Blanket	3434664
Knob, Control, Infinite	3234557
Leg, 6, S/S, w/Flanged Foot	3234452
Light, Pilot, 250V, Amber	2194095
Plate, Deflector	026-061-0001-S
Switch, 30A, Double Pole	2194212
Thermostat, Non Adjust	2194335

## Obsolete Ice Cream Counters - Common Components

Replacement parts only. Units are no longer in production as of 3-30-17.

Description	Part Number	Note
Assy, 1/4 Hp Cond Unit	000-BN5-0030-S	[A]
Caster, 5, Plt, Swvl, Brk,	3234783	
Drain, Plastic, 1ips, 2.87	3234242	
Expansion Valve, 1/4, low	3516225	
Interlock Assy, Sg,	3234669	
Lid, Large, Ice Cream,	3234188	
Low Pressure Control	2193927	
Panel, Shy Lvr, End	359-411-0001-S	[B]
Panel, Shy Lvr, Frt/rear	359-411-0000-S	[B]
Spring, Extension,	6150201	
Switch, Rocker, 20a/125v,	2190154	

**NOTE:** [A] Exploded view on page 8.

**NOTE:** [B] Part drawing on page 7.

## Obsolete Milk Counters - Common Components

Replacement parts only. Units are no longer in production as of 3-30-17.

Description	Part Number	Note
Caster, 5, Plt, Swvl, Brk,	3234783	
Cond Unit, 1/4hp, Hi, R134a	3526674	
Drain, Plastic, 1ips, 2.87	3234242	
Drier, Filter, 1/4odf	3516101	
Expansion Valve, R134A	3516062	
Interlock Assy, Sg	3234669	
Lid, Large, Ice Cream,	3234188	
Low Pressure Control	2193927	
Panel, Shy Lvr, End	359-411-0001-S	[B]
Panel, Shy Lvr, Frt/rear	359-411-0000-S	[B]
Spring, Extension,	6150201	
Switch, Rocker, 20a/125v	2190154	

**NOTE:** [B] Part drawing on page 7.

## Obsolete Milk And Ice Cream Counters - Common Components

Replacement parts only. Units are no longer in production as of 3-30-17.

Description	Part Number	Note
Assy, 1/4 Hp Cond Unit	000-BN5-0030-S	[A]
Caster, 5, Plt, Swvl, Brk	3234783	
Drain, Plastic, 1ips, 2.87	3234242	
Expansion Valve, 1/4, hi	3516273	
Expansion Valve, 1/4, low	3516225	
Interlock Assy, Sg	3234669	
Lid, Large, Ice Cream	3234188	
Low Pressure Control	2193927	
Panel, Shy Lvr, End	359-411-0001-S	[B]
Panel, Shy Lvr, Frt/rear	359-411-0000-S	[B]
Spring, Extension,	6150201	
Switch, Rocker, 20a/125v,	2190154	
Temperature Control	5090025	

**NOTE:** [A] Exploded view on page 8.

**NOTE:** [B] Part drawing on page 7.

## Refrigerated Cold Pans - Common Components

Description	Part Number	Note
Caster, 5", with brake	3234783	
Condensing Unit, 1/4HP	000-BN5-0030-S	[A]
Drain	3234242	
Expansion Valve	3516225	
Louver Panel, End	356-411-0001-S	[B]
Louver Panel, Front/Rear	356-411-0000-S	[B]
Low Pressure Control	2193927	
Rocker Switch	2190154	
Solenoid Valve with Coil	3516074	

**NOTE:** [A] Exploded view on page 8.

**NOTE:** [B] Part drawing on page 7.

## Refrigerated w/ LiquiTec Cold Pans - Common Components

Description	Production Note	Part Number	Note
Caster, 5", with brake		3234783	
Condensing Unit, 1/4HP		000-BN5-0030-S	[A]
Expansion Valve		3516225	
Louver Panel, End		359-411-0001-S	[B]
Louver Panel, Front/Rear		359-411-0000-S	[B]
Low Pressure Control	Dual hookup only	2193927	
Rocker Switch		2190154	
Temperature Control, Ranco	Built before 12-1-17	2194231	
Control Assembly, LT, MK7	Built after 12-1-17	000-CZ0-0058KT-S	

**NOTE:** [A] Exploded view on page 8.

**NOTE:** [B] Part drawing on page 7.

## Refrigerated Cold Pans - Optional Components

Description	Part Number	Note
Condensing Unit Assembly, 115V, 1/4 H.P. R404a Low, N8630, N8643, N8656, N8669	000-BN5-0030-S	[A]
Condensing Unit Assembly, 220V/50Hz, 1/4 H.P. R404a Low, N8630, N8643, N8656, N8669	000-BN5-003J-S	[A]
Condensing Unit Assembly, 115V, 1/3 H.P. R404a, Low, N8681	000-BN5-003G-S	[E]
Condensing Unit Assembly, 220V/50Hz, 1/3 H.P. R404a, Low, N8681	000-BN5-003M-S	[E]
8600 Food Well Assembly With Thermostat Control		[F]
N8700-DESP Parts		[G]

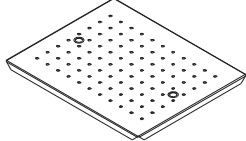
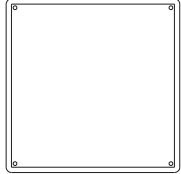
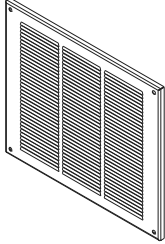
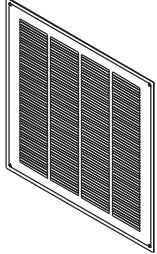
**NOTE:** [A] Exploded view on page 8.

**NOTE:** [E] Exploded view on page 9.

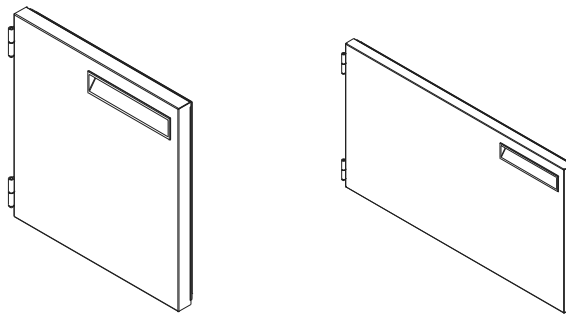
**NOTE:** [F] Exploded view on page 10.

**NOTE:** [G] Exploded view on page 11.

## Part Prints

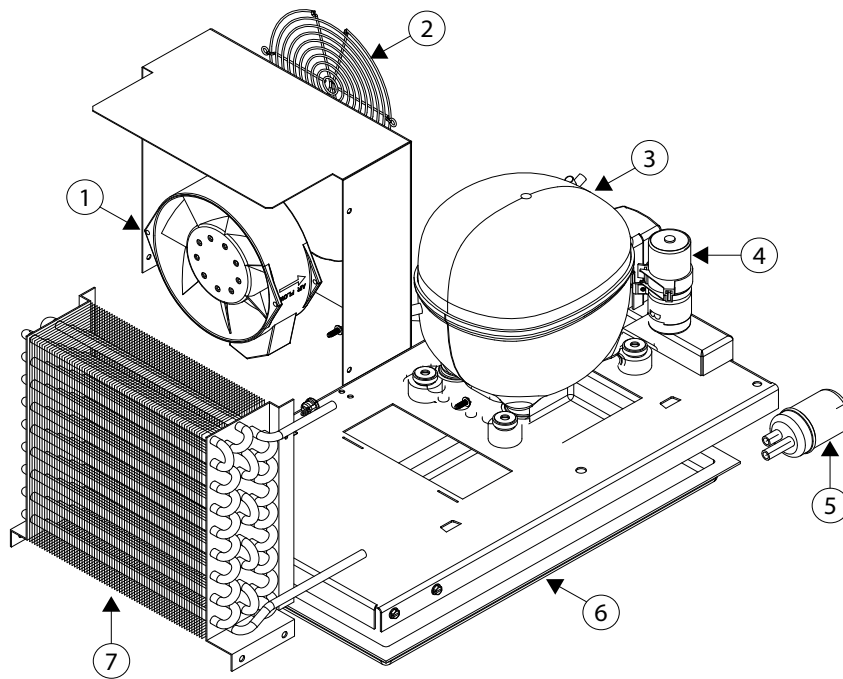
Description	Part Number	Print
Bottom, Perforated	265-102-0030-S	
Access Panel	272-412-0000-S	
Louver Panel, Front/Rear, SS 201	356-411-0000-S	
Louver Panel, Front/Rear, SS 430	359-411-0000-S	
Louver Panel, End, SS 201	356-411-0001-S	
Louver Panel, End, SS 430	359-411-0001-S	

## Heated Door Assembly



Description	Part Number
Heated Door Assembly	000-442-0030-S
Door Gasket	1701249
Flag Hinge	3234067
Heated Door Assembly	000-442-0031-S
Door Gasket	1701244
Flag Hinge	3234067

## Condensing Unit Assembly 1/4 H.P. R404a Low



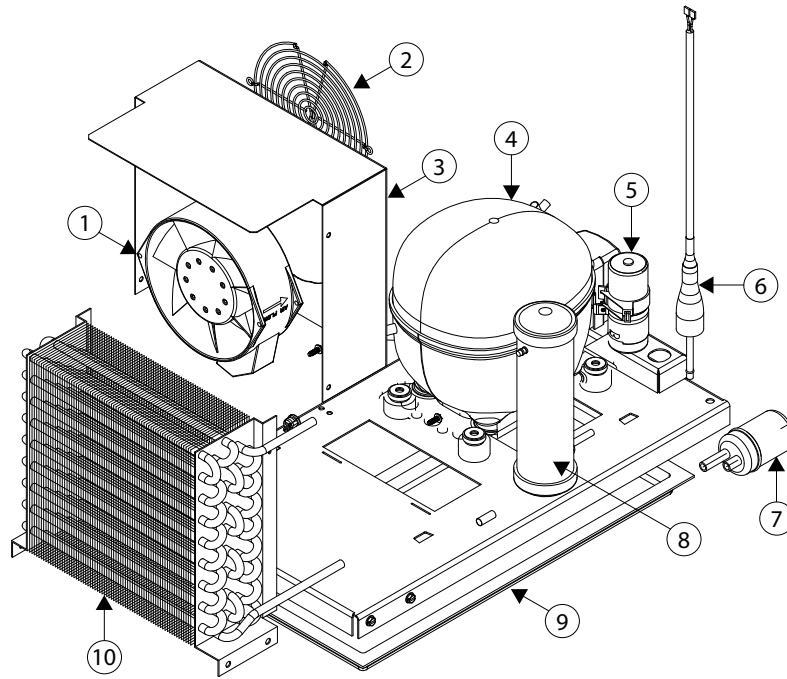
Key	Description	Part Number
	Condensing Unit Assembly, 115V	000-BN5-0030-S
	Condensing Unit Assembly, 220V/50Hz	000-BN5-003J-S
1	Fan, Axial, 5.5" 120V	2160028
	Fan, Axial, 5.5", 230V	2160029
2	Fan Guard, 6.0"	2160030
3	Shroud, Condenser Coil	026-C58-0037-S
4	Compressor, NF5.5CLX, 115V/60Hz	3526999
	Compressor 220/50Hz	3527013
5	Capacitor, Start 280MFD	2194787
	Compressor relay and overload, NF5.5CLX	3516444
6	Filter-dryer, (2) inlet .25"	3516322
7	Pan, condensate	039-231-0030-S
8	Condenser Coil	3516454

### Miscellaneous Parts Not Included in Condensing Unit

Description	Part Number
15 Amp switch, 120V	2194099
15 Amp switch, 220V	2194400
Cord/plug assembly	2183348
Expansion valve	3516225



## Condensing Unit Assembly 1/3 H.P. R404a, Low



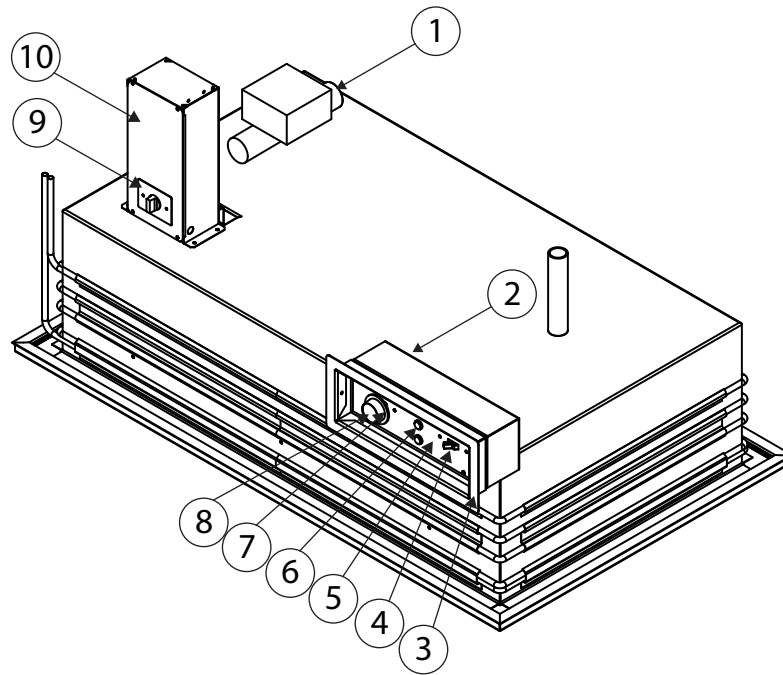
Key	Description	Part Number	Note
	Condensing Unit Assembly, 115V	000-BN5-003G-S	
	Condensing Unit Assembly, 220V/50Hz	000-BN5-003M-S	
1	Fan, Axial, 5.5", 115V	2160028	
	Fan, Axial, 5.5", 230V	2160029	
2	Guard, Fan, 6.0"	2160030	
3	Shroud, Condenser Coil	026-C58-0037-S	
4	Compressor, NF7.0. 115V/60Hz	3527000	
	Compressor, 220V/50Hz	3527012	
5	Capacitor, Start 320MFD	2194788	
	Compressor relay and overload, NF7CLX	3516438	
6	High pressure switch	3516324	
7	Filter-dryer, (2) inlet .25"	3516322	
8	Receiver tank	3516658	[H]
9	Pan, condensate	075-231-0030-S	
10	Condenser Coil	3516454	

**NOTE:** [H] Re-piping may be required for installation.

### Miscellaneous Parts Not Included in Condensing Unit

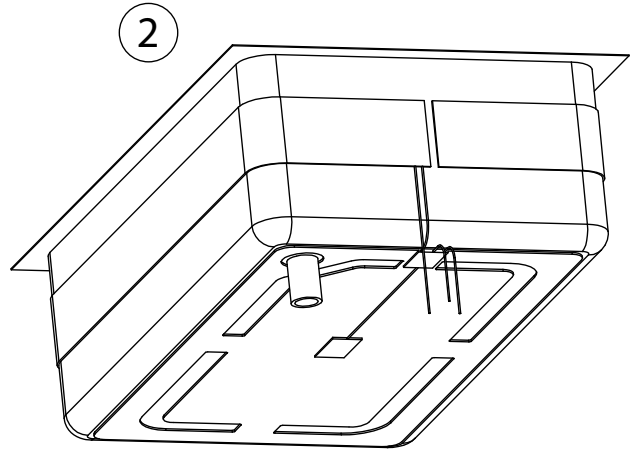
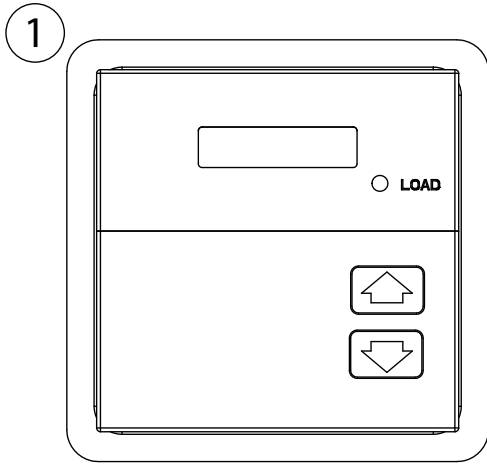
Description	Part Number
15 Amp switch, 120V	2194099
15 Amp switch, 220V	2194400
Cord/plug assembly	2183348
Expansion valve	3516225

## Food Well Assembly With Thermostat Control



Key	Description	Part Number
1	Immersion heater 120V, 1Ph	2194075
	Immersion heater 240V 1Ph 5KW	2193974
2	Box, control, galv, 8600 series	026-AO6-0041-S
3	Front, collar, mounting, 8600	372-ANQ-003D-S
4	Switch, 3 position, 30Amp	2193979
5	Cover, control box, 8700 series	372-ANS-0001-S
6	Light, pilot, 125V, red	2194190
7	Thermostat, electric (heated)	2194202
8	Knob, thermostat control (heated)	3234556-S
9	Contact, 2 Pole, 120V	2194974
10	Temperature control (cold)	3516054

## 500W Food Well



Key	Description	Part Number
1	Control, 500W Food Well	2195319
2	Food Well/Heatpad, 208V-500W	3234798
	Food Well/Heatpad, 240V-500W	3234950
	Food Well/Heatpad, 208V-500W, Without Drain	3234951

**NOTE:** When replacing the well not to apply pressure directly to the pad.

**WELBILT®**  
*Bringing innovation to the table***WWW.WELBILT.COM**

Welbilt provides the world's top chefs, and premier chain operators or growing independents with industry leading equipment and solutions. Our cutting-edge designs and lean manufacturing tactics are powered by deep knowledge, operator insights, and culinary expertise. All of our products are backed by KitchenCare® – our aftermarket, repair, and parts service.

▶ CLEVELAND

▶ CONVOTHERM®

▶ DELFIELD®

▶ FITKITCHEN™

▶ FRYMASTER®

▶ GARLAND

▶ KOLPAK®

▶ LINCOLN

▶ MANITOWOC®

▶ MERCO®

▶ MERRYCHEF®

▶ MULTIPLEX®