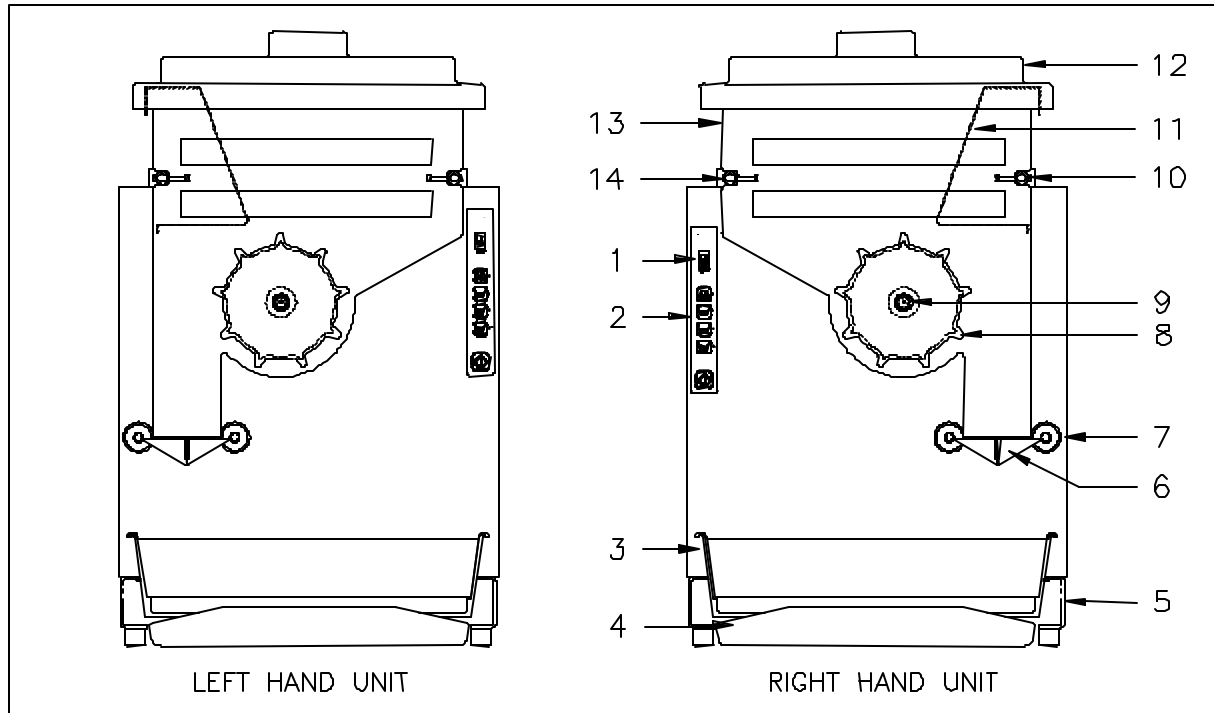


DF22 Parts List

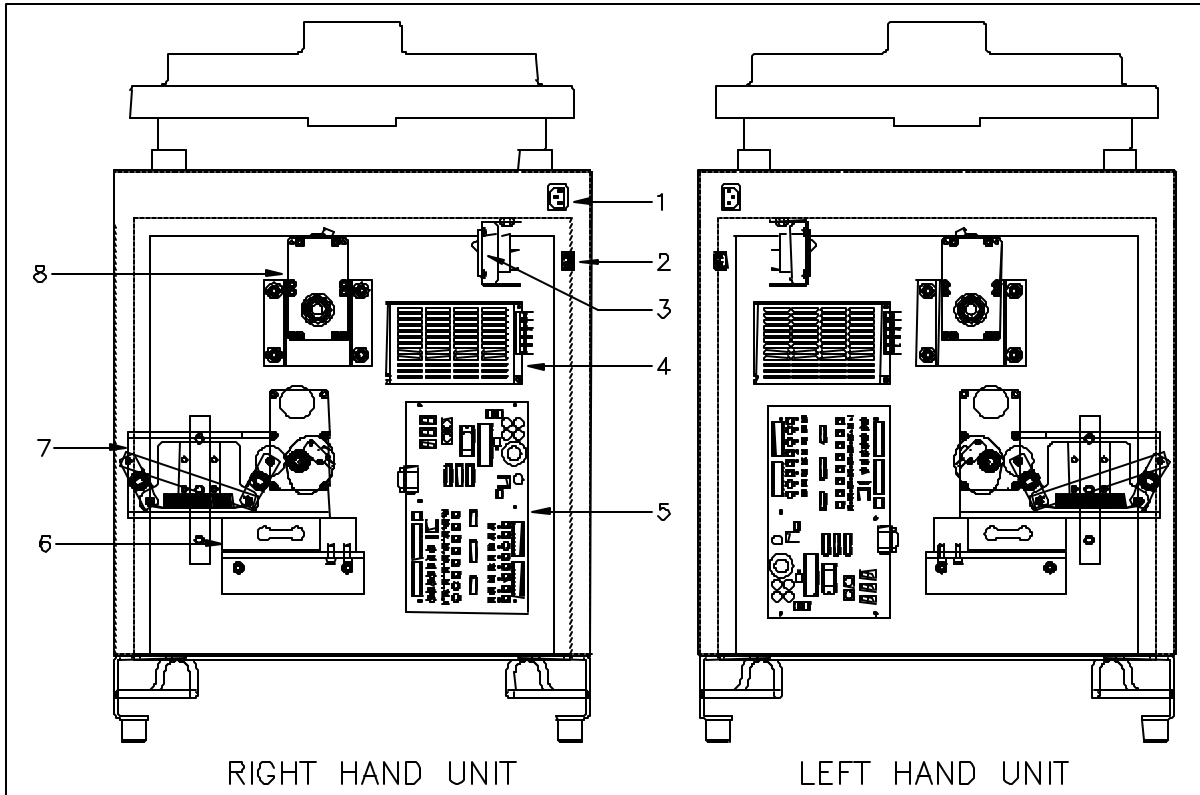
Component Identification

Front View



ITEM	P/N	DESCRIPTION	NO.	DETAILS
1	290055	Main Power On/Off Switch (Note: Original red On/Off Switch: must replace control panel assembly if switch fails. Page 5)	1	Disconnects main A.C. power.
2	203276	Control Panel	1	Controls Dispenser Functions
3	203214	Fry Basket Pan	1	Holds Fry baskets.
4	203357	Drip Tray	1	Collects waste from basket cycles.
5	203237 203209 203204	Cabinet Base Leg (left) Cabinet Base Leg (right) Cabinet Base Feet	1 1 4	Cabinet base. Cabinet base. Base Feet.
6	203253 203254	Accumulator Door, Right Accumulator Door, Left	1 1	Weighs and dispenses fries.
7	203256	Accumulator Door Shaft Collar	2	Protects inner cabinet from contamination.
8	202366	Hopper Drum	1	Turns to dispense fries from the Hopper.
9	203380 203240	Drum Shaft Drum Shaft Collar	1 1	Connects Drum to Drum Motor assembly. Protects inner cabinet from contamination.
10	202885	Hopper Support Bar, Right	1	Secures and positions the Hopper to the Dispenser.
11	203267	Fry Diverter	1	Aids in controlling Fry dispensing.
12,13	203298 203414	Hopper and Lid (right side dispense) Hopper and Lid (left side dispense)	1	Holds frozen fries for dispensing.
14	202884	Hopper Support Bar, Left	1	Secures and positions the Hopper to the Dispenser.
OPT.	291050	Fry Basket (Blue Handle)		

DF22 Parts List

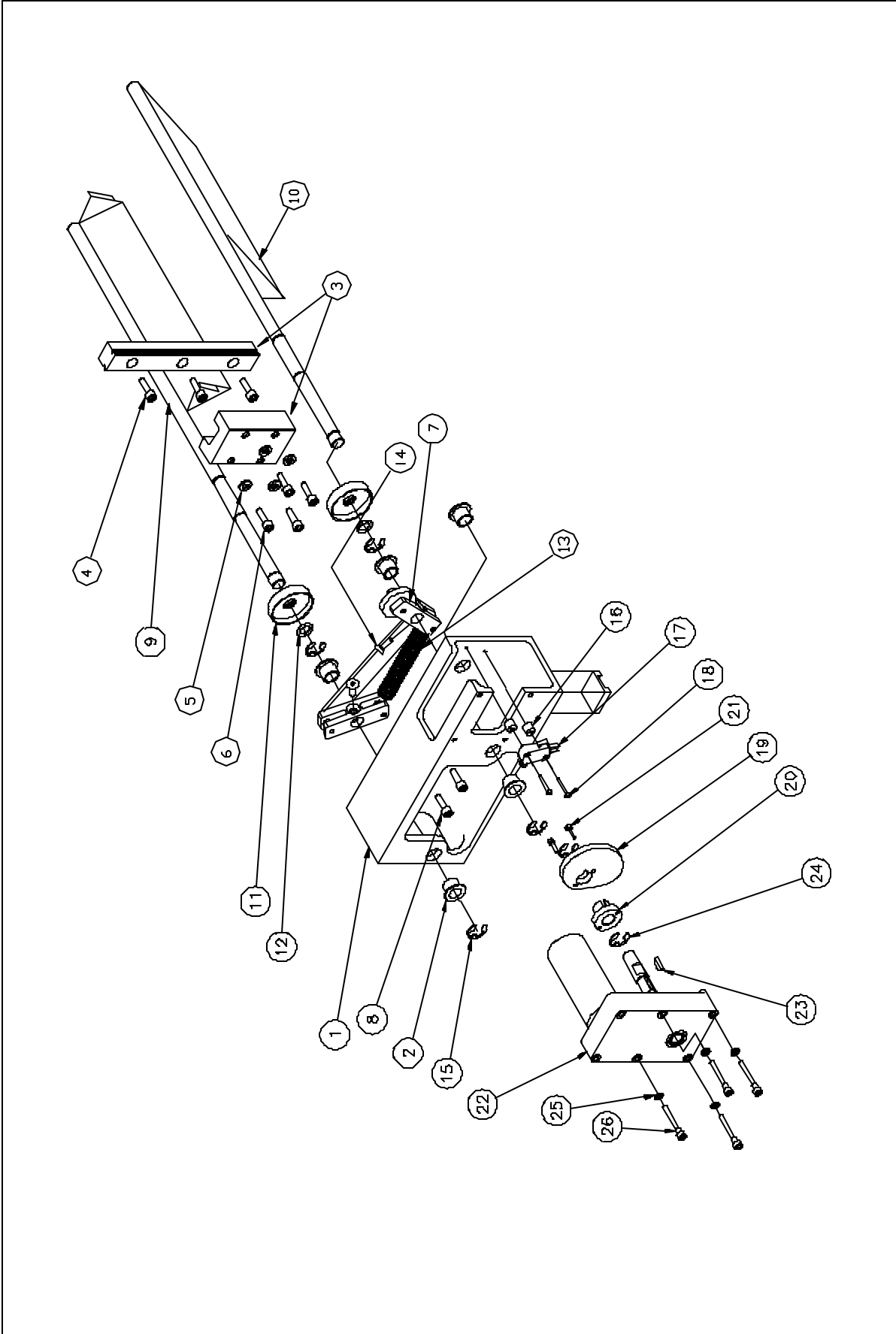


Rear View

ITEM	P/N	DESCRIPTION	QTY.	DETAILS
1	202881	Power Cord Inlet	1	Chassis connector for the power cord. Main power from wall outlet.
	203425	Power Cord - Domestic	1	
	203434	Power Cord - Australia	1	
	203431	Power Cord - Britain	1	
	203432	Power Cord - Europe	1	
	203280	Cord Clamp	1	
	213129	Cord Clamp Screws	2	
2	290055	Front Panel On/Off Switch (Black) (Note: Original red On/Off Switch: must replace control panel assembly if switch fails. Page 5)	1	Disconnects main A.C. power.
3	203265	Main Circuit Breaker	1	Main A.C. circuit breaker.
4	202793	Power Supply, Universal Input, 24VDC Out	1	Provides 24VDC for Dispenser operations.
5	290626	Controller Board (supersedes 202032 & 290322)	1	Controls Dispenser functions.
	203244	E-Prom	1	Programs the Controller Board.
6	290685	Load Cell (typical) (supersedes 290284)	1	Detects the fry weight in the Accumulator Doors.
	202908	Load Cell Mounting Plate	1	Mounts Load Cell to chassis.
7		Accumulator Doors Assembly	1	Receives fries from Hopper, dispenses to baskets.
	203249	Micro Switch	1	Senses when Accumulator Doors are closed.
	290641	Accumulator Motor (supersedes 203246)	1	Electric Motor drive for Accumulator Doors.
	203260	Return Spring	1	Closes the Accumulator Doors
8		Drum Motor Assembly	1	Dispenses fries to the Accumulator Doors assembly.
	290692	Drum Motor (supersedes 213933)	1	Electric Motor to turn the Hopper Drum.
	202797	Drum Motor Mounting Bracket	1	Mounts the Motor assembly to the chassis.

DF22 Parts List

ACCUMULATOR ASSEMBLY

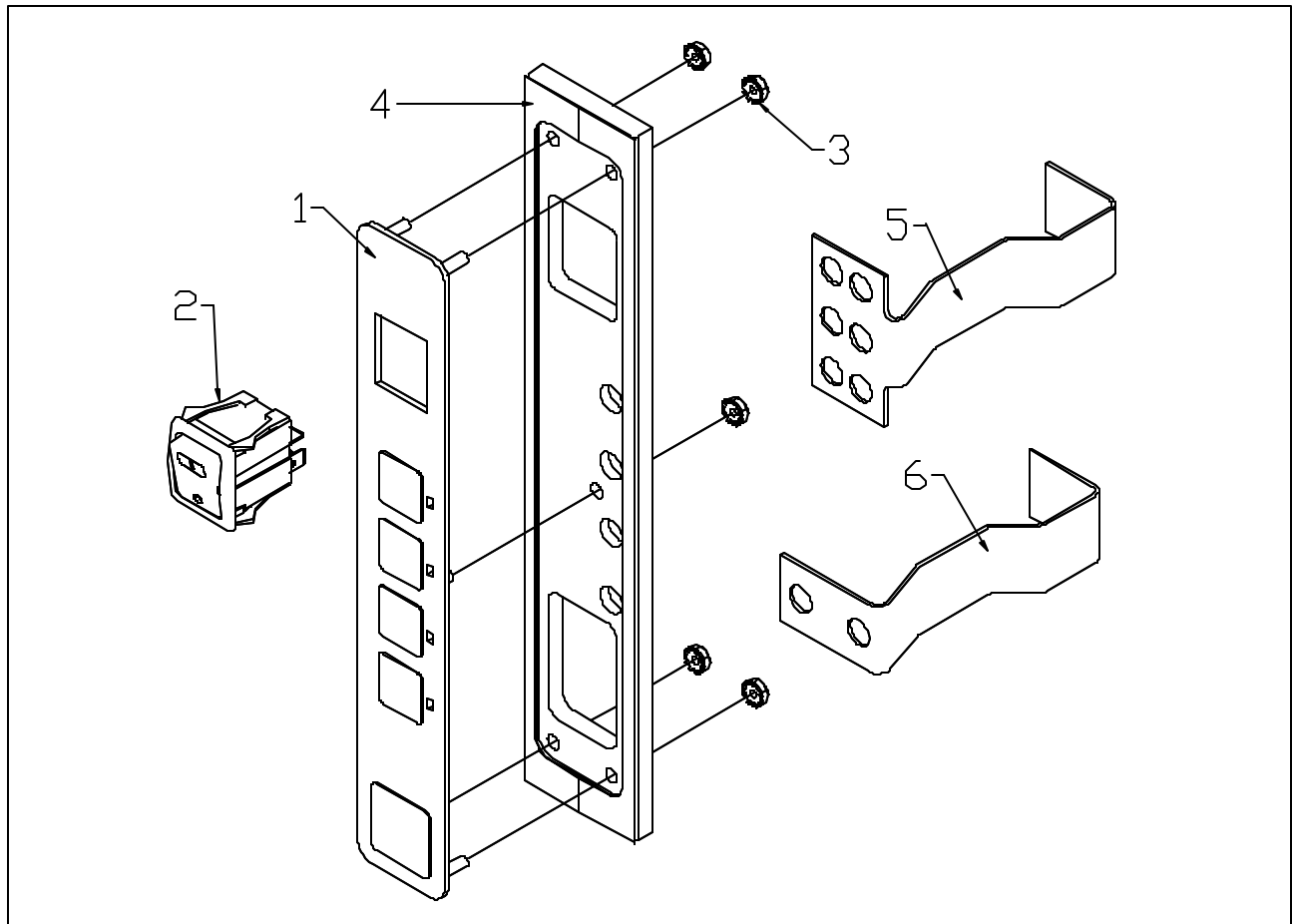


DF22 Parts List

ITEM	QTY	PART NUMBER	DESCRIPTION
1	1	203245	Extrusion, Accumulator Housing
2	5	202974	Bearing, Flange, 1/2 In. I.D. x 5/8 In. O.D.
3	1	202068	Assembly, Linear Bearing
4	3	202073	Screw, Socket Head Cap, 1/4-20 x 3/4:
5	4	213142	Washer, Lock, 1/4"
6	4	203097	Screw, Socket Head Cap, M6 x 16mm
7	1	203374	Assembly, Linkage, Accumulator
	2	203219	Link, Accumulator Doors
	1	203220	Rod, Connecting
	1	203221	Wheel, Cam Follower
	4	203258	Screw, Shoulder, Socket Head Cap 1/4"x3/4"
	4	203259	Bearing, Plastic, 1/4" I.D. x 5/16" O.D. x 1/4"
	1	203260	Spring, Ext., .650" x 3.271
8	1	202073	Screw, Socket Head Cap, 1/4-20 UNC x 3/4 In., Zinc Plated
9	1	203253	Accumulator Door, Right
10	1	203254	Accumulator Door, Left
11	2	203256	Shaft Collar, 1/2 In. I.D.
12	2	203257	Gasket, O-Ring, 11/16 In. O.D. x 1/2 In. I.D. x 3/32 In. Thick
13	1	203260	Spring
14	2	213549	Screw, Flat head Cap, 1/4-20 UNC x 5/8 In., Zinc Plated
15	4	213356	Retaining Ring, E-Clip, 1/2 In.
16	2	203250	Stand-off, 3/8 O.D. x 0.140 I.D. x 5/16 long, Nylon
17	1	203249	Switch, Microswitch with roller
18	2	213500	Screw, Pan Head Machine, 4-40 UNC x 7/8 In., Phillips, Zinc Plated
19	1	203222	Cam, Accumulator
20	1	203248	Hub, Cam, Accumulator
21	2	213144	Screw, Socket Head Cap, 6-32 UNC x 1/2 In., Zinc Plated
22	1	290641	Motor, DC Drive, Accumulator Doors
23	1	203251	Key, Woodruff, #405
24	2	213356	Retaining Ring, E-Clip, 1/2 In.
25	4	213140	Washer, Lock, #10
26	4	213518	Screw, Socket Head Cap, 10-32 UNF x 1 1/2 In., Zinc Plated
Not Shown	1	290354	Wiring Harness, Accumulator Motor

DF22 Parts List

Control Panel Mounting



Operator Assembly 290576

ITEM	PART NO.	Quantity	Description	Function
1	203276	1	Switch Panel, Membrane	Membrane Switches for Dispenser operation and control
2	290055	1	Front Panel On/Off Switch (Black) (Note: Original red On/Off Switch: must replace control panel assembly if switch fails)	Disconnects main A.C. power.
3	202874	5	Nut, Hex, 6 - 32 UNC, Zinc Plated, with External Lockwasher	Secures the Switch Panel (<i>item 1</i>) to the Mounting Plate (<i>item 3</i>)
4	291258	1	Plate, Operator Panel Backing with Adhesive	Adhesive mounted mounting plate for the Switch Panel (<i>item 1</i>)
5	290664	1	Operator Panel Clip (Center)	Holds the Operator Panel in place
6	290772	1	Operator Panel Clip (Lower)	Holds the Operator Panel in place
1, 2, 3, 4, 5, 6	290576	1	Control Panel Assembly	Complete Control Panel Assembly