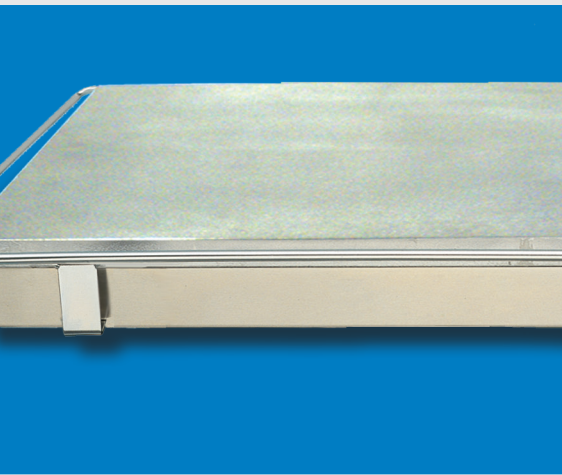


# Operations Manual

Model: TW2023TBEB - TW2540TBEB  
Tortilla Warming Flat Grill



**TACO BELL**®



**PROGRILL**™



**PROLUXE**™

formerly DOUGHPRO. New Name. Same Quality. Superior Service.

[proluxe.com](http://proluxe.com)

## **CLEANING**

Use only cleaners which are safe for **ALUMINUM**. **DO NOT** use caustic cleaners, ice or cold water to clean the grill. Turn grill down or OFF during idle periods to prevent carbon buildup.

1. Turn power off and unplug, allow grill to cool.
2. Remove particles by using a spatula with rounded corners.
3. Wipe down all surfaces using a warm damp cloth and mild detergent.

## **CARBON CLEANING**

When carbon buildup occurs, use a carbon removal agent which is safe for aluminum, follow the instructions provided with the product. When this process is complete, you must re-season your grill.

## **INITIAL START UP**

Before using the unit for the first time, wipe down the exterior and platen area with a damp cloth.

Heat for approximately 30 minutes. The warmer may emit a small amount of smoke as the cooking surface reaches its operating temperature. This is normal, as the smoke is caused by oils associated with the manufacturing process and will stop when the burn off is complete. Brush off any debris from the warming surface.

## **SEASONING THE TORTILLA GRILL HEATING SURFACE**

### **FIRST TIME SEASONING**

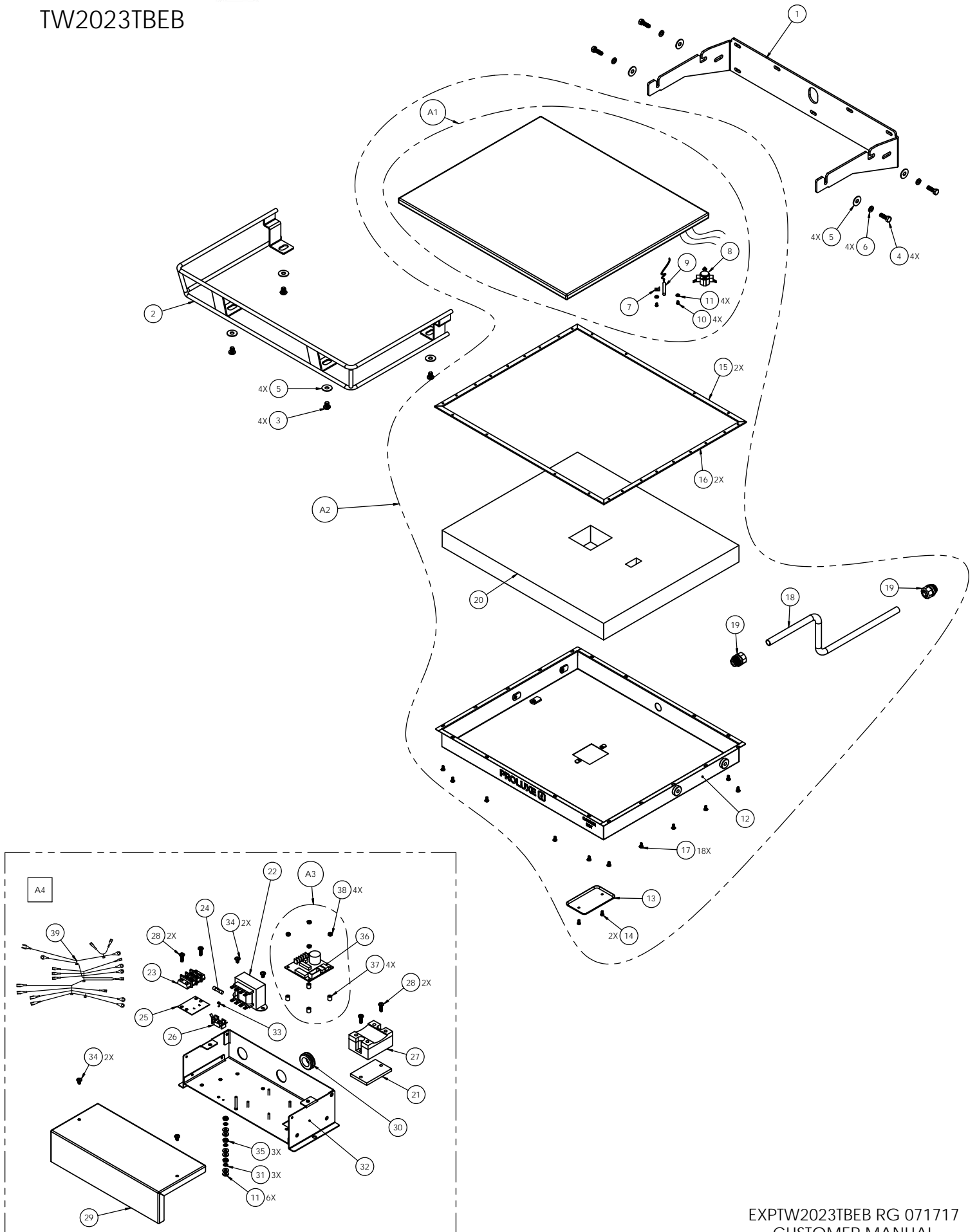
Follow your company/corporate guidelines for seasoning cooking surfaces or perform the following:

1. Bring the grill to 300°F (148°C) and leave it on while performing the next three steps.
2. Brush the cooking surfaces with a release agent. If using an aerosol agent, first apply into a cup and then brush onto cooking surface.
3. Let sit for 20 minutes.
4. Wipe the cooking surface clean, using a warm damp cloth.

**!Caution! — To reduce the risk of fire, the appliance is to be installed in non-combustible surroundings only with no combustible material within 18 inches of the sides, front, or rear of the appliance or within 40 inches above the appliance. The appliance is to be mounted on floors of noncombustible construction with noncombustible flooring and surface finish and with no combustible material against the underside, or on noncombustible slabs or arches have no combustible material against the underside. Such construction shall in all cases extend not less than 12 inches beyond the equipment on all sides.**

### **\*Warning\***

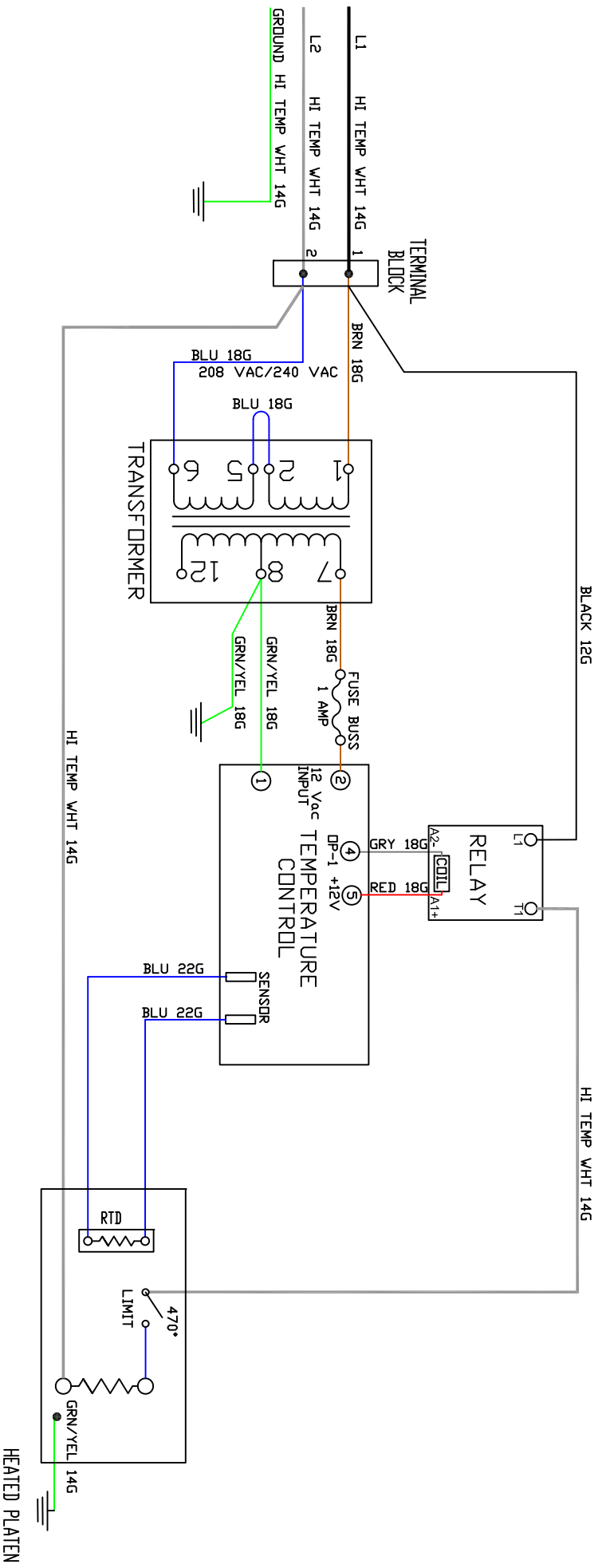
**DO NOT SUBMERGE IN WATER OR ALLOW WATER TO SPILL INTO THE ELECTRICAL HOUSING. AS THIS WILL VOID WARRANTY AND DAMAGE THE UNIT.**



## PARTS LIST FOR MODEL TW2023TBEB

ITEM NO.	DESCRIPTION	PART NUMBER	QTY.
1	SINGLE LINE UNIVERSAL BRACKET	110108671	1
2	2023 BURN GUARD ASSEMBLY	110108642	1
3	SCREW, BUTTON HD 3/8-16 X 1/2 SST	SB381612S	4
4	BOLT, HEX 5/16-18 X1	BH516181	4
5	WASHER, CUT 5/16"	WC516	8
6	WASHER, 5/16" SPLIT LOCK	WL516	4
7	HOLDER, SENSOR	110108881	1
8	LIMITER, HI TEMP SWITCH 470 F	110812046	1
9	SENSOR, RTD 2000 OHMS	11018002101	1
10	SCREW, PAN HEAD PHILLIPS 6-32 X 1/4	SP63214	4
11	WASHER SAE # 6	WSAE6	10
12	SHROUD ASSEMBLY	110115101	1
13	ACCESS PANEL COVER	110108651	1
14	SCREW, PAN HEAD PHILLIPS 8-32 X 3/8 STAINLESS STEEL	SP83238S	2
15	INSULATION STRIP FLEX WRAP 23-1/2"	1101086256	2
16	INSULATION STRIP FLEX WRAP 20"	1101086257	2
17	SCREW, PAN HEAD PHILLIPS 10-24 X 3/8 STAINLESS STEEL	SP102438S	18
18	CONDUIT 3/8" LIQ-TITE	TP12128	6FT
19	CONDUIT, CONNECTOR LIQ-TITE 3/8" STRAIGHT	TP12126	2
20	TW2023 INSULATION 2" THICK	1101086258	1
21	HEAT SINK, ALUMINUM PAD	11057322	1
22	TRANSFORMER	11096975	1
23	TERMINAL BLOCK # 2, DOUBLE	6012	1
24	FUSE BUSS 1 AMP	MPPF701R	1
25	MARKER STRIP # 2	MS6012	1
26	FUSE HOLDER 1 AMP	MPPF708	1
27	RELAY, SOLID STATE	MPR90217	1
28	SCREW, PAN HEAD PHILLIPS 8-32 X 1/2	SP83212	4
29	COVER, ELECTRICAL HOUSING	11016938813	1
30	GROMMET PUSH IN FLEXIBLE RUBBER 5/8 ' I.D.	110026953	1
31	WASHER, INTERNAL TOOTH LOCK #6	WLIT6	3
32	BRACKET, ELECTRICAL MOUNTING	11016938810	1
33	SCREW, PHILLIPS PAN HEAD 2-56 X 1/4	SP25614	1
34	SCREW, PAN HEAD PHILLIPS 8-32 X 1/4	SP83214	4
35	NUT, HEX 6-32	NH632	3
36	PCB CONTROLLER	16988052	1
37	NYLON SPACER, 1/4 X .141 X 9/32 LONG	110969111	4
38	HEX NUT, 4-40	NH440	4
39	WIRE HARNESS	1101151050	1
40	MANUAL, TW2023 TACO BELL	MTW2023TB	1
A1	PLATEN WIRING ONLY	11010862532K	1
A2	PLATEN SHROUD ASSEMBLY	11010862532AK	1
A3	PCB CONTROL ASSEMBLY	110169388052K	1
A4	ELECTRICAL HOUSING ASSEMBLY	110169388052AK	1

VAC: 208/240  
 AMPS: 6.73/7.76  
 WATTS: 1400/1863

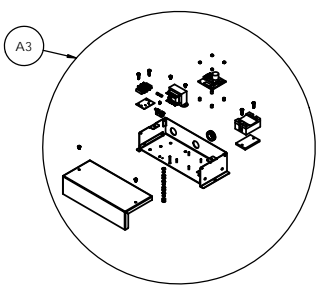
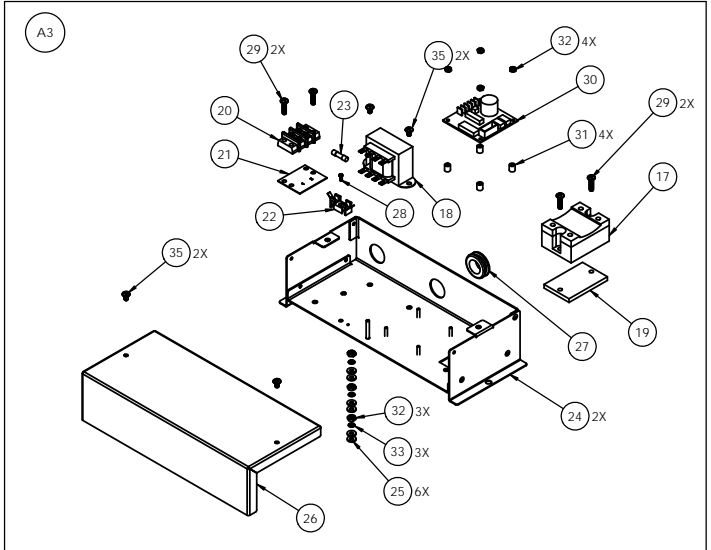
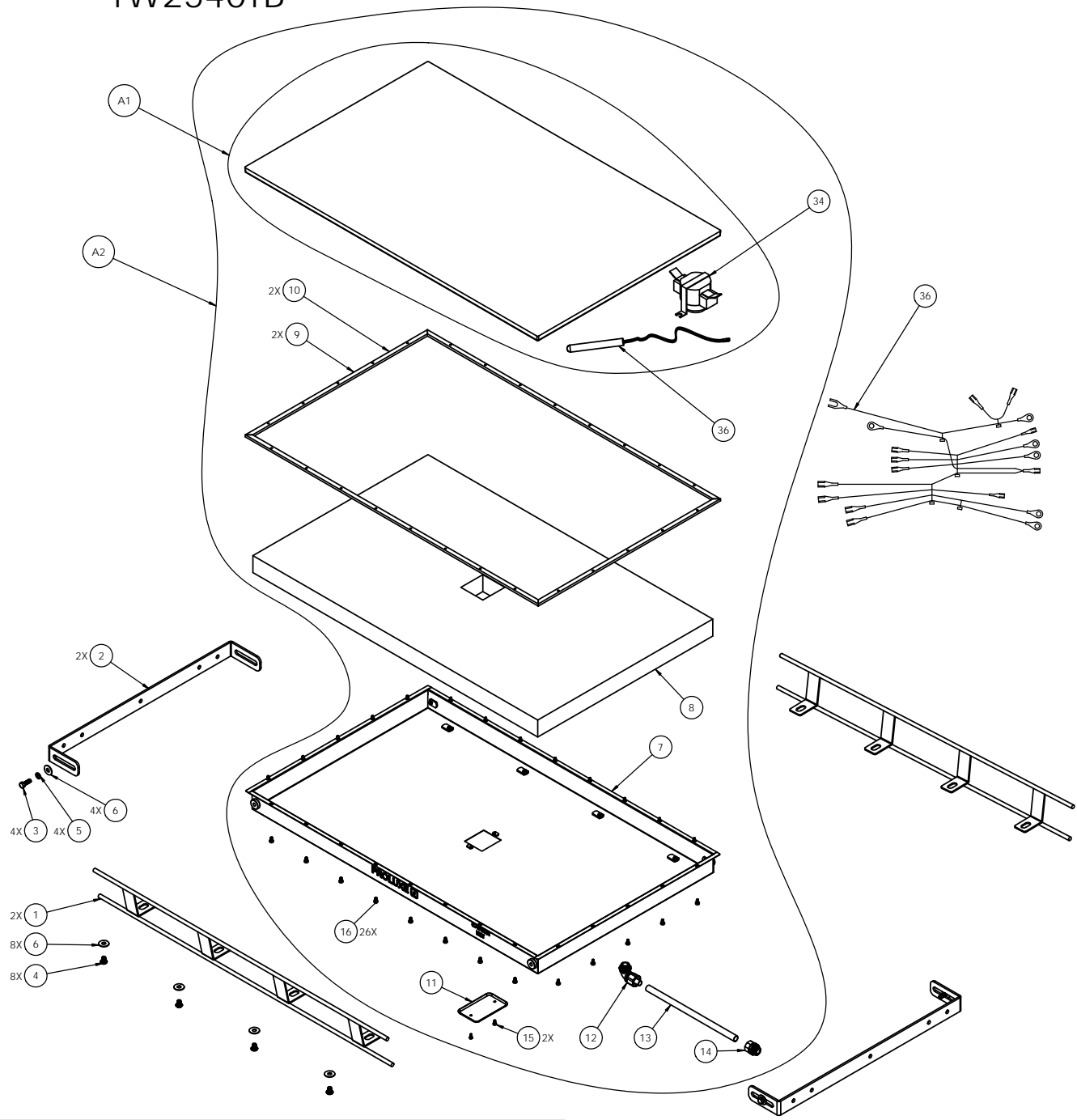


**MASTER COPY**  
 Date 07-17-17

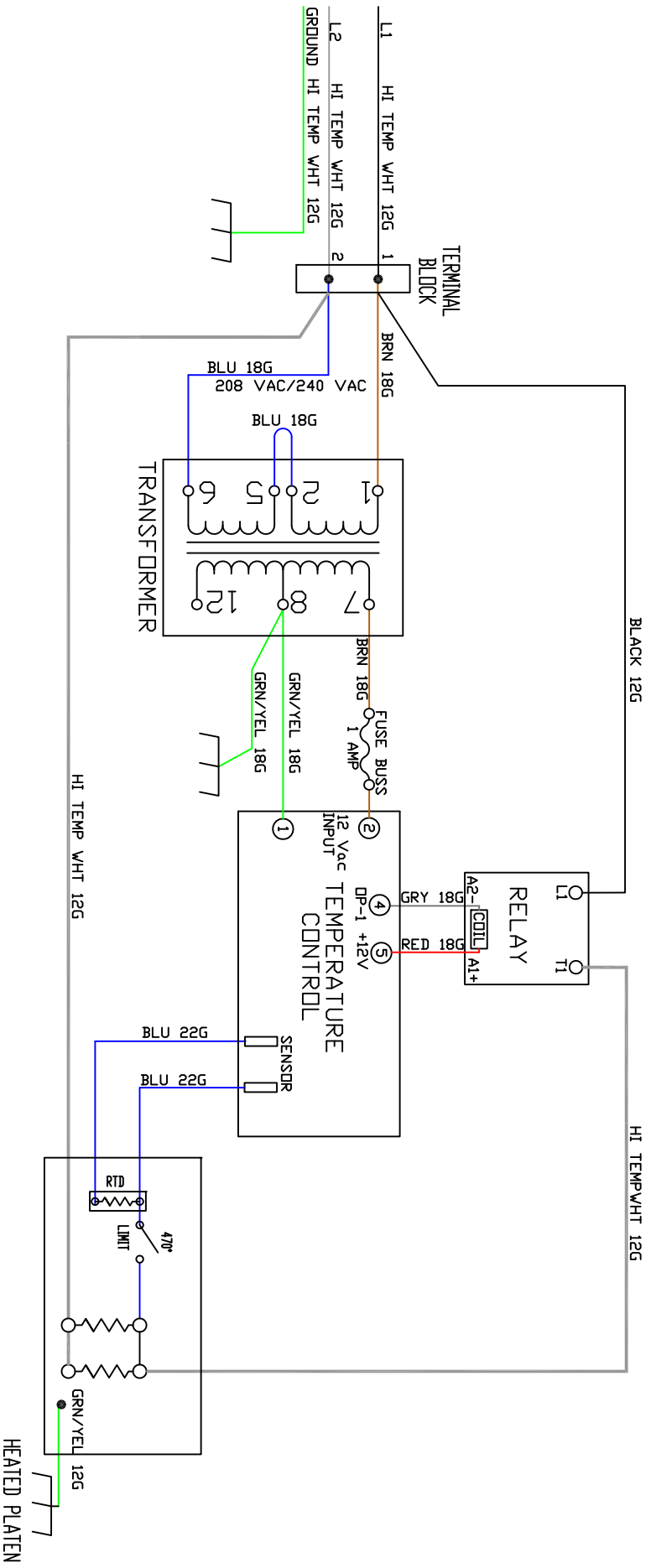
WDTW2023TBEB RG 071717

# PROLUXE™

TW2540TB



VAC: 208/240  
 AMPS: 13.46/15.54  
 WATTS: 2800/3726



**MASTER COPY**  
 Date 03/08/17

WDTW2540TB RF 030817

## PARTS LIST FOR MODEL TW2540TB

	DESCRIPTION	PART NUMBER	QTY.
1	BURN GUARD ASSEMBLY	110108690	2
2	UNIVERSAL MOUNTING BRACKET	110108672	2
3	BOLT, HEX 5/16-18 X1	BH516181	12
4	SCREW, BUTTON HEAD 3/8-16 X 1/2 STAINLESS STEEL	SB381612S	8
5	WASHER, 5/16" SPLIT LOCK	WL516	4
6	WASHER, CUT 5/16	WC516	12
7	TW2540 SHROUD	110108654	1
8	INSULATION (#8 SUPER WOOL)	11016938806	1
9	INSULATION STRIP FLEX WRAP 25"	1101086252	2
10	INSULATION STRIP FLEX WRAP 40"	1101086251	2
11	ACCESS PANEL COVER	110108651	1
12	CONNECTOR LIQ-TITE 3/8" 90 DEGREES	TP12124	1
13	CONDUIT 3/8" LIQ-TITE	TP12128	6.0 ft.
14	CONNECTOR LIQ-TITE 3/8" STRAIGHT	TP12126	1
15	SCREW, PAN HEAD PHILLIPS 8-32X 3/8 S.S.	SP83238S	2
16	SCREW, PAN HEAD PHILLIPS 10-24X3/8 S.S.	SP102438S	26
17	RELAY, SOLID STATE	MPR90217	1
18	TRANSFORMER	11096975	1
19	SINK, HEAT, ALUMINUM (SSR)	11057322	1
20	TERMINAL BLOCK 2 STAGE DOUBLE	6012	1
21	MARKER STRIP # 4 DOUBLE	MS6012	1
22	FUSE HOLDER 1 AMP	MPPF708	1
23	FUSE BUSS 1 AMP	MPPF701R	1
24	HOUSING, ELECTRICAL	11016938810	1
25	WASHER SAE #6	WSAE6	6
26	COVER, ELECTRICAL HOUSING	11016938813	1
27	GROMMET PUSH IN FLEXIBLE RUBBER 5/8" I.D.	110026953	1
28	SCREW, PHILLIPS PAN 2-56x1/4	SP25614	1
29	SCREW, PAN HEAD PHILLIPS 8-32 X 5/8	SP83258	4
30	PCB CONTROLLER ASSEMBLY	16988052	1
31	NYLON SPACER, 1/4 X .141 X 9/32 LONG	110969111	4
32	NUT, HEX 6-32	NH632	4
33	WASHER, INTERNAL TOOTH LOCK #6	WLIT6	3
34	LIMITER, HI-TEMP. 470 F	110812046	1
35	SCREW, PHILLIPS PAN HEAD 8-32 X 1/4	SP83214	4
36	WIRE HARNESS TW2540TB	1101151050	1
37	MANUAL TW2540TB TACO BELL	MTW2540TB	1
A1	PLATEN WIRING ONLY	11016938832K	1
A2	PLATEN SHROUD ASSEMBLY	11016938832AK	1
A3	ELECTRICAL HOUSING ASSEMBLY	110169388052AK	1

## Warranty & Return Policy

**Proluxe** warrants all products manufactured by it against defects in workmanship or materials from the date of purchase for a period of (1) year on parts and **labor**. **This warranty applies to only equipment purchased and used in the United States.** Warranty period shall begin when equipment ships. Warranty travel shall only be covered for 60 miles. Limited lifetime warranty on heating elements.

**ALL WARRANTY SERVICE CALLS MUST BE APPROVED BY PROLUXE. IF THIS PROCEDURE IS NOT FOLLOWED, WARRANTY SERVICE WILL NOT BE COVERED. WARRANTY SERVICE WILL BE PAID ON STRAIGHT TIME, OVERTIME WILL NOT BE COVERED.**

### **Exclusions:**

- 1. WOOD / GAS FIRED OVENS:** PROLUXE warranty applies to the main body of the oven being steel / refractory and insulation shall be free from defects in materials and workmanship for a period of four years from the date of purchase. The gas equipment shall be free from defects in materials and workmanship for a period of one (1) year from the date of purchase. Lifetime warranty against cracks on oven floor.
- 2. Air compressors are excluded from this warranty,** but PROLUXE may act as a warranty expeditor in certain instances regarding these compressors. The air compressor manufacturer provides a limited warranty and a copy of this warranty is furnished with all compressors sold by PROLUXE. For prompt handling of compressor warranty claims the instructions of the compressor manufacturer must be adhered to.
- 3. Equipment built to special order as well as accessories** cannot be canceled and are not returnable unless defective within the terms of this warranty.
- 4. In no event shall PROLUXE be liable for consequential damages arising out of the failure of any of its products if operated improperly or caused by normal wear or damage by operator abuse.**
- 5. BC2325 pedestal warranty disclaimer:** Pedestals shall only be covered under warranty if they have been cleaned using the factory approved cleaning method. cracked or damaged pedestals must be inspected by the factory before warranty is authorized.
- 6. Limited lifetime warranty on heating elements:** If replacement is needed, Proluxe will send the new part at no charge but **labor** will not be covered unless the unit is still under the 1 year manufacture warranty.

### **Returned Merchandise Policy:**

Should it become necessary to return any of the company's products, the following instructions must be adhered to: First, contact our customer service department for approval and a return authorization number. *Please have the serial number of your item available at that time.* All merchandise must be shipped *freight prepaid* by customer or service agency. Subject to the inspection of the product by the company, a restocking charge of 20% of the Net purchased price paid to PROLUXE will be assessed. Merchandise may not be returned for credit without *prior written approval* of PROLUXE. Collect shipments *will not* be accepted. No returns after 60 days of original shipment date on machines. Purchased parts may not be returned after 30 days.

If upon inspection by PROLUXE or its authorized agent it is determined the equipment has not been used in an appropriate manner, has been modified, or has not been properly maintained, or has been subject to misuse, misapplication, neglect, abuse, accident, unauthorized modification, damage during transit, delivery, fire, flood, act or war, riot or act of God, then this warranty shall be deemed null and void.

### **Terms & Conditions:**

1. Prices indicated in the PRICE LIST are suggested retail prices and are shown in U.S. DOLLARS.
2. Terms of Payment: 1% 10 days, NET 30 days.
3. **NEW ACCOUNTS:** Satisfactory credit information must be provided before open account status can be extended. Unless agreed otherwise, all shipments will be made C.O.D., CASH IN ADVANCE.
4. **PRICING:** Prices, specifications, model numbers, capacities and accessories are subject to change without notice.
5. **FREIGHT / ROUTING:** Method of shipment will be determined by PROLUXE unless otherwise advised by PURCHASER.
6. **DAMAGED CLAIMS:** All merchandise shipped at purchaser's risk. Inspection must be made by purchaser at time goods are received. If goods are damaged, the PURCHASER shall request that the agent of the transportation company make a written notation on the proper shipping documents immediately and then file a claim for damage. **GOODS DAMAGED IN SHIPMENT ARE NOT RETURNABLE.**
7. **RETURNS:** Machines may not be returned after 60 days. Purchased parts may not be returned after 30 days. A restocking fee of 20% will be assessed on non-warranty returns.
8. **TAXES:** Prices indicated herein DO NOT include State, Federal, Local or foreign taxes or duties, nor do they include fees, permits, insurance or other levies, all of which are the responsibility of the purchaser.
9. All orders are subject to acceptance by PROLUXE.
10. Possession of this price list shall not be considered an offer to sell.