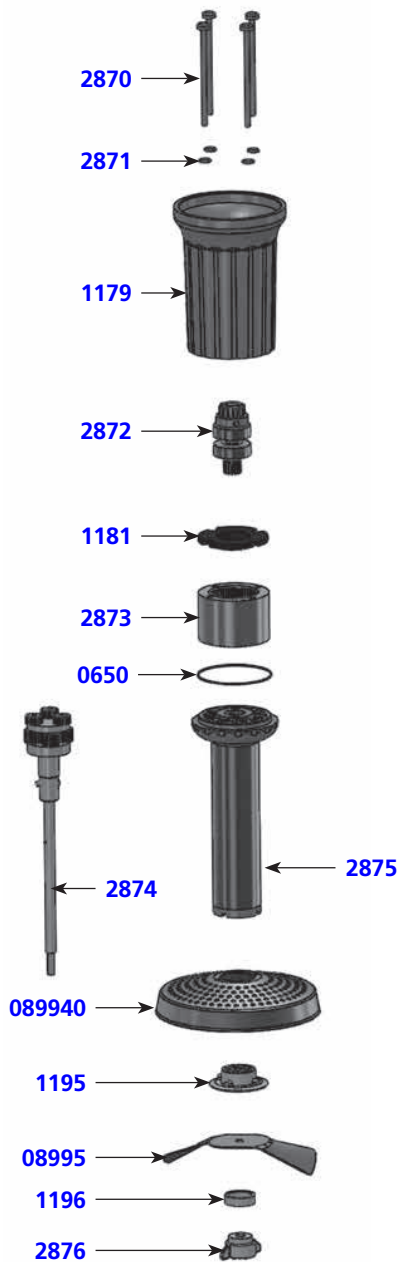


Parts list Code List \$ Price

Potato Ricer assembly

Handle screws (4)	2870	8.03
O. ring (x4)	2871	6.57
Ricer inferior carter	1179	41.87
Equipped upper shaft	2872	90.08
Secured washer	1181	9.24
Interior geared crown	2873	99.83
Equipped output shaft	2874	175.27
Equipped spacer for potato ricer	2875	53.55
Nut holder + nut	2876	17.27
Potato grid	089940	75.46
Grid holder	1195	5.37
Potato blade	08995	45.02
Compression washer	1196	4.39
O. ring	0650	7.55

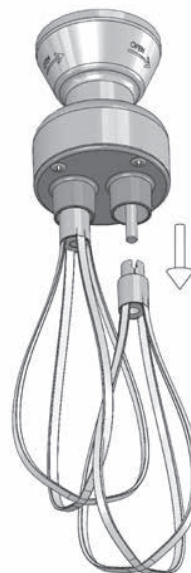
Potato Ricer assembly



Ricer grid assembly



Whisk tool dismantling



Parts list Code List \$ Price

Whisk assembly

Lower motor whisk housing	2890	132.68
Equipped output axle w/ 2 gears+pins	2891	88.86
Holder assembly w/ 3 self-lubricating rings	2892	50.14
Whisk tool (2)	2893	92.51
Reduction gear assembly (without whisk)	2894	199.61
Equipped upper shaft	4020	90.44
Equipped plate with rings	4021	53.63
Holder assembly screws	4022	5.80
Middle gear & axle	9420	118.21

Whisk assembly

