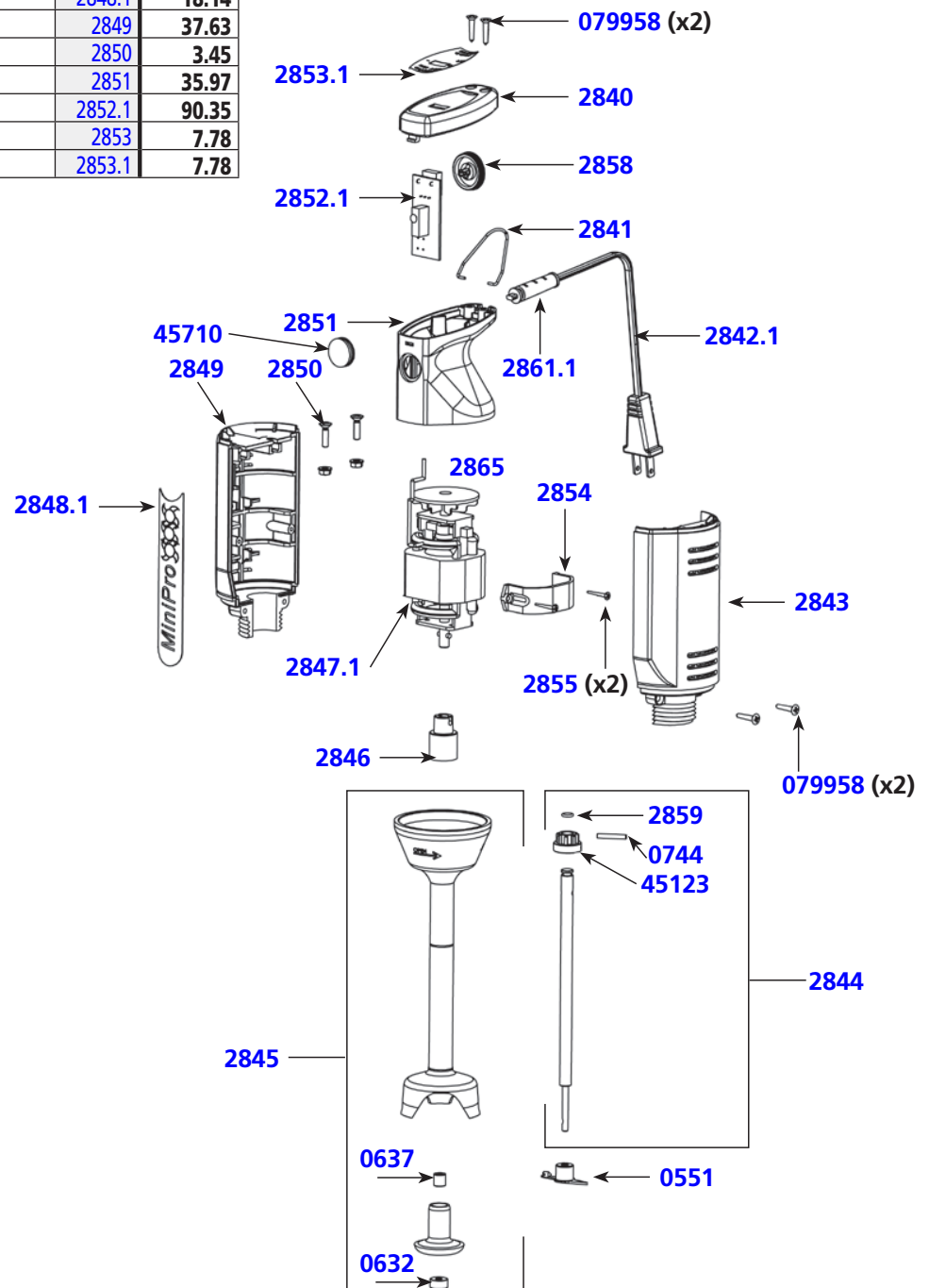


# Mixer MINIPRO

| Parts list                             | Code   | List \$ Price |
|--|--------|---------------|
| Regular blade                          | 0551   | 11.86         |
| Double lip waterproof seal             | 0632   | 11.86         |
| Self-lubricating ring                  | 0637   | 2.65          |
| Pins 3 x 20                            | 0744   | 3.05          |
| Handle screws (2)                      | 079958 | 0.63          |
| Cover                                  | 2840   | 21.03         |
| Hook                                   | 2841   | 11.36         |
| Power cord 115V                        | 2842.1 | 29.37         |
| Right handle                           | 2843   | 37.63         |
| Shaft and sprocket                     | 2844   | 31.65         |
| Minipro foot assembly + bushing + seal | 2845   | 139.99        |
| Coupling                               | 2846   | 19.54         |
| Motor 230 V                            | 2847   | 139.25        |
| Motor 115 V                            | 2847.1 | 139.25        |
| Minipro label                          | 2848.1 | 18.14         |
| Left handle                            | 2849   | 37.63         |
| Screws + washers + handle nuts (2)     | 2850   | 3.45          |
| Handle                                 | 2851   | 35.97         |
| Circuit board                          | 2852.1 | 90.35         |
| ID label (230V)                        | 2853   | 7.78          |
| ID label (115V)                        | 2853.1 | 7.78          |

| Parts list                            | Code   | List \$ Price |
|---------------------------------------|--------|---------------|
| Motor bracket                         | 2854   | 22.99         |
| Screws for motor bracket (2)          | 2855   | 2.97          |
| Dynashake foot assembly + ring + seal | 2856   | 167.50        |
| Shaft and bearing (Dynashake)         | 2857   | 45.41         |
| Variator knob                         | 2858   | 8.00          |
| Driving shaft joint                   | 2859   | 1.75          |
| Strain relief 115 V                   | 2861.1 | 3.76          |
| Fan                                   | 2865   | 23.60         |
| Coupling hub                          | 45123  | 31.02         |
| Rubber button cap                     | 45710  | 4.26          |



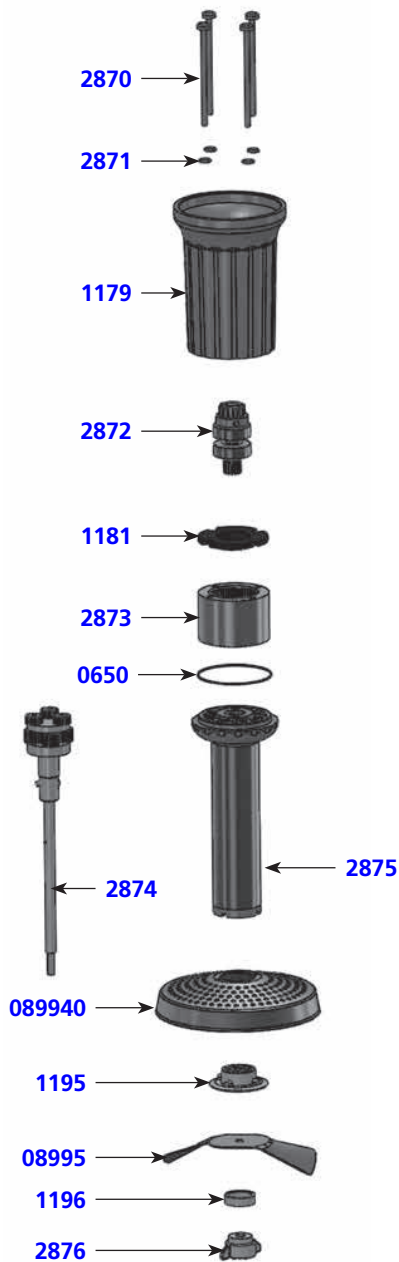
**IMPORTANT :** Each spare part order must include the type and the number of the product which appears on the identification plate.

## Parts list Code List \$ Price

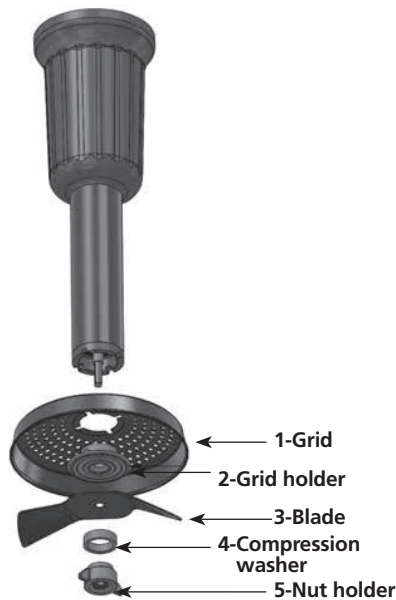
### Potato Ricer assembly

|                                  |        |        |
|----------------------------------|--------|--------|
| Handle screws (4)                | 2870   | 8.03   |
| O. ring (x4)                     | 2871   | 6.57   |
| Ricer inferior carter            | 1179   | 41.87  |
| Equipped upper shaft             | 2872   | 90.08  |
| Secured washer                   | 1181   | 9.24   |
| Interior geared crown            | 2873   | 99.83  |
| Equipped output shaft            | 2874   | 175.27 |
| Equipped spacer for potato ricer | 2875   | 53.55  |
| Nut holder + nut                 | 2876   | 17.27  |
| Potato grid                      | 089940 | 75.46  |
| Grid holder                      | 1195   | 5.37   |
| Potato blade                     | 08995  | 45.02  |
| Compression washer               | 1196   | 4.39   |
| O. ring                          | 0650   | 7.55   |

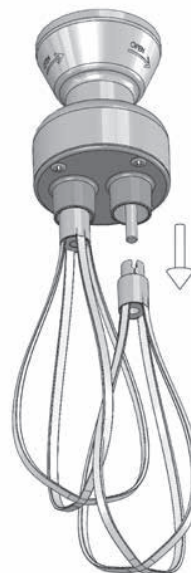
### Potato Ricer assembly



### Ricer grid assembly



### Whisk tool dismantling



## Parts list Code List \$ Price

### Whisk assembly

|   |      |        |
|---|------|--------|
| Lower motor whisk housing                   | 2890 | 132.68 |
| Equipped output axle w/ 2 gears+pins        | 2891 | 88.86  |
| Holder assembly w/ 3 self-lubricating rings | 2892 | 50.14  |
| Whisk tool (2)                              | 2893 | 92.51  |
| Reduction gear assembly (without whisk)     | 2894 | 199.61 |
| Equipped upper shaft                        | 4020 | 90.44  |
| Equipped plate with rings                   | 4021 | 53.63  |
| Holder assembly screws                      | 4022 | 5.80   |
| Middle gear & axle                          | 9420 | 118.21 |

### Whisk assembly

