



PARTS LISTS FOR:

Powerbase Models:
MK, MKH, MKS & MKV

Filler Unit Models:
F & FHP

Stainless Steel Pump Models:
FS & RP

For Ordering or Technical Assistance Please Contact:

**Edhard Corp.
279 Blau Road
Hackettstown, NJ 07840
Tel: (in USA) 1.888.edhard.1 -or- 1.908.850.8444
Fax: 1.908.850.8445**

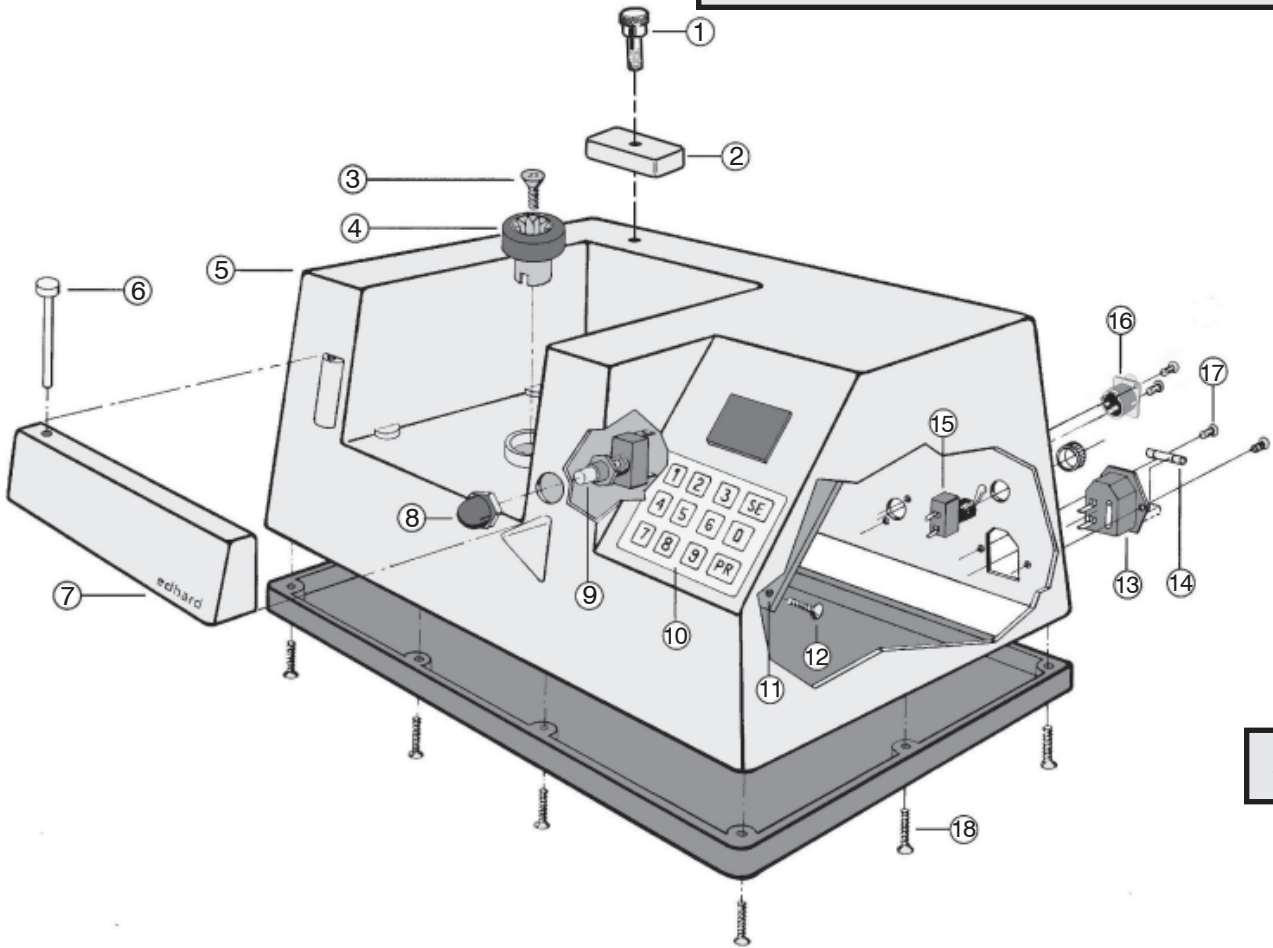
**Domestic Sales: kris@edhard.com
Export Sales: nancy@edhard.com
Technical Questions: meter@edhard.com**

Visit us online at: www.edhard.com

Power Base Housing Assembly Models MK, MKH, MKS	Page 3
Base Assembly Model MK	Page 4
Base Assembly Model MKH	Page 5
Base Assembly Model MKS	Page 6
Power Base Housing Assembly Model MKV	Page 7
Base Assembly Model MKV	Page 8
F-Series Filler Unit Assembly Double Outlet	Page 9
F-Series Filler Unit Assembly Single Outlet	Page 10
FHP-Series Filler Unit Assembly Single Outlet	Page 11
FS-Series Filler Unit Assembly Gear-Type Pump	Page 12
RP-Series Filler Unit Assembly Lobe-Type Pump	Page 14

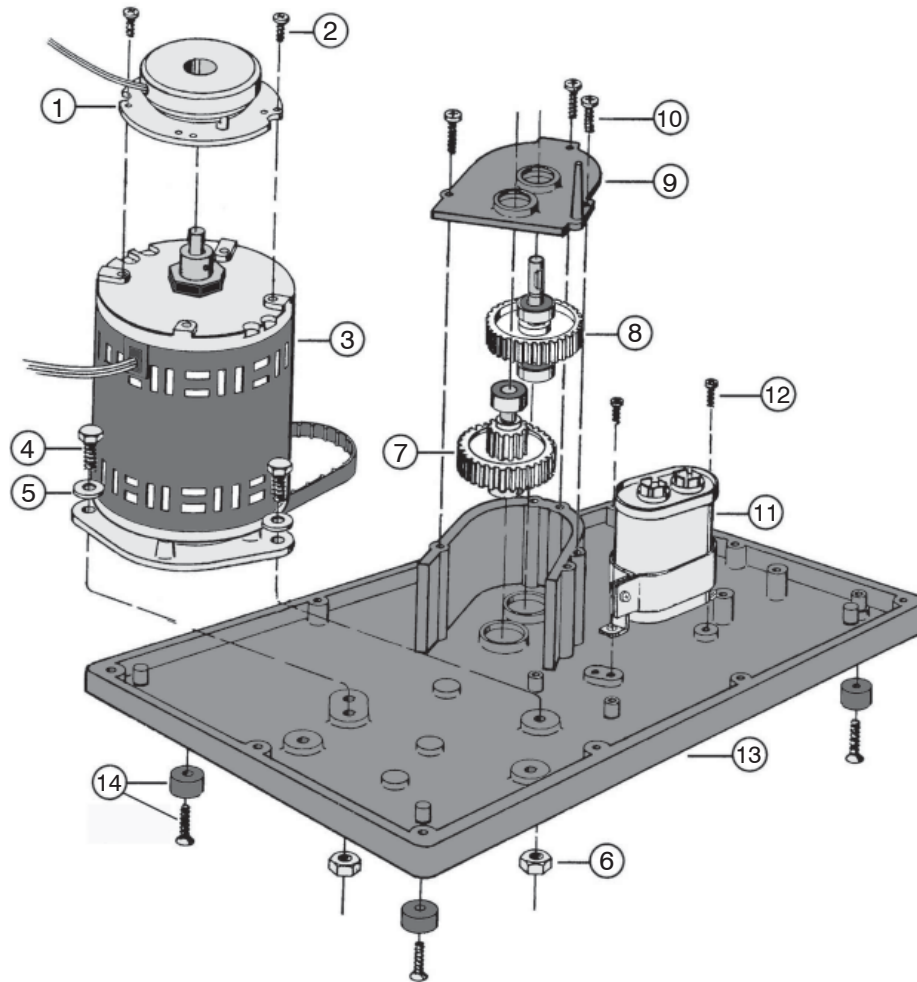
contents

Power Base Housing Assembly
Model MK, MKH, MKS



Ref. No.	Description	Qty.	Part Number for Model:		
			MK	MKH	MKS
1	Thumb Screw	1	PS-2512	PS-2512	PS-2512
2	Safety Clamp	1	PS-2511	PS-2511	PS-2511
3	Screw	1	P-2118	P-2118	P-2118
4	Pump Driver Assembly	1	P-3029	P-3054	PS-3146
5	Power Base Housing	1	P-3028	P-3028	PS-3170
6	Trip Pin	1	P-2046	P-2046	P-2046
7	Trip Arm Assembly	1	P-3030	P-3030	P-3030
8	Boot	1	P-2072	P-2072	P-2072
9	Trigger Switch	1	P-2141	P-2141	P-2141
10	Keypad	1	P-2085	P-2085	P-2085
11	Timer Board 120V	1	P-3700	P-3710	PS-3708
	Timer Board 220V	1	N/A	P-3711	PS-3709
12	Screw	5	P-2116	P-2116	P-2116
13	Receptacle (Power Cord)	1	P-2628	P-2628	P-2628
14	Fuse	2	P-2601	P-2601	P-2616
15	On/Off Switch	1	P-2142	P-2142	P-2142
16	Receptacle (Footswitch/Hose) Assy.	1	P-3333	P-3333	P-3333
17	Screw	4	P-2186	P-2186	P-2186
18	Screw	10	P-2115	P-2115	P-2115

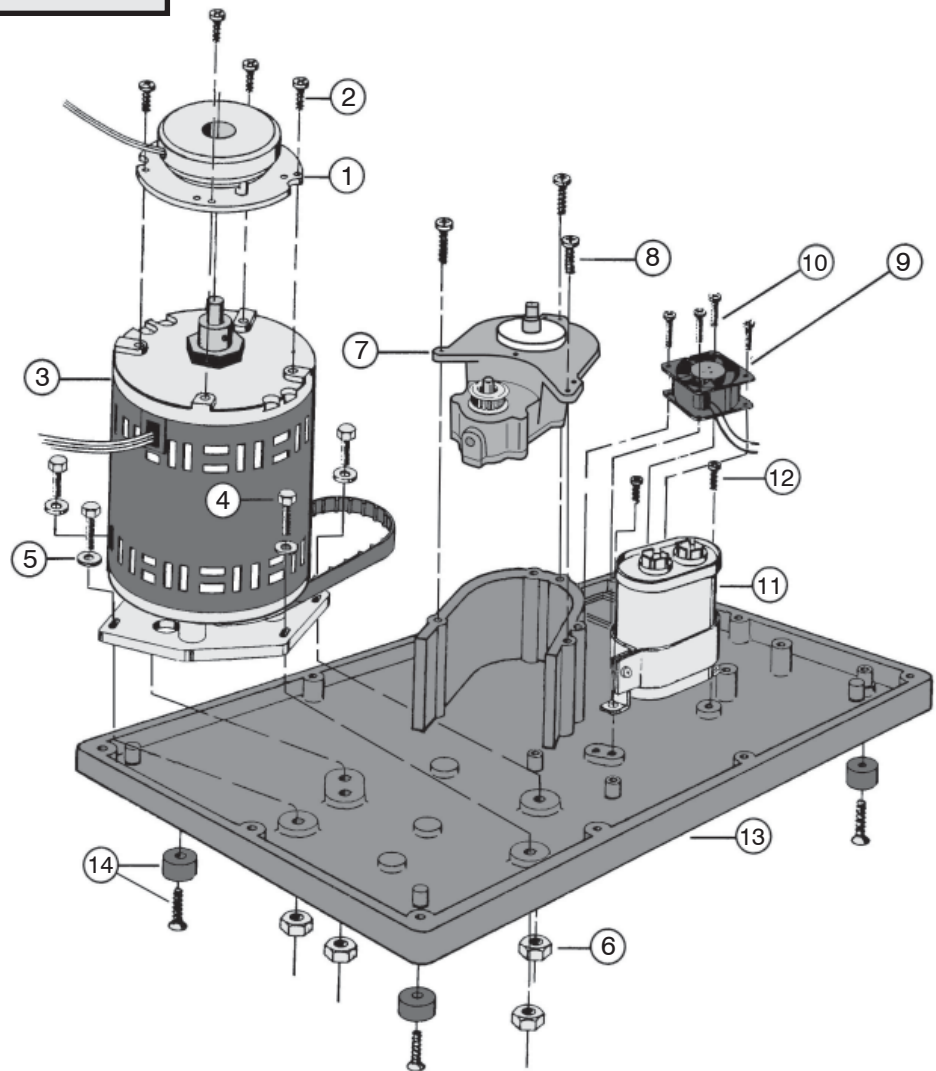
Base Assembly Model MKH



5

Ref. No.	Description	Qty.	Part Number for Model MKH	
			120V/60Hz	220V/50Hz
1	Brake Assembly	1	P-3062	P-3083
2	Screw	2	P-2187	P-2187
3	Motor Assembly	1	P-3020	P-3082
4	Motor Bolt	2	P-2121	P-2121
5	Washer	2	P-2124	P-2124
6	Nut	2	P-2122	P-2122
7	Gear & Idler Assembly	1	P-3051	P-3079
8	Output Gear Assembly	1	P-3052	P-3078
9	Gearbox Cover	1	P-2035	P-2035
10	Screw	3	P-2120	P-2120
11	Capacitor Assembly	1	P-3027	P-3033
12	Screw	2	P-2116	P-2116
13	Base	1	P-2037	P-2037
14	Rubber Foot Assembly	4	P-3423	P-3423

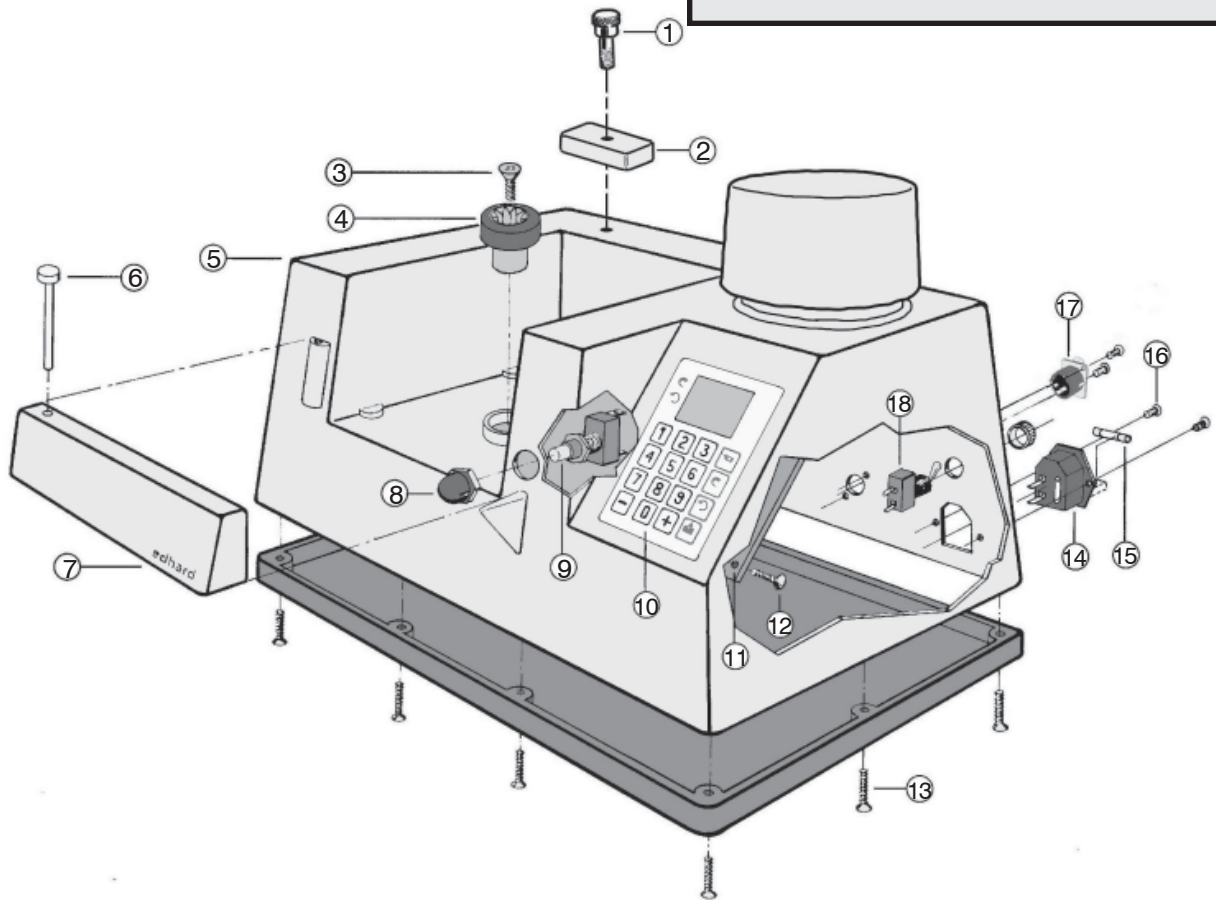
Base Assembly Model MKS



6

Ref. No.	Description	Qty.	Part Number for Model MKS	
			120V - 60Hz	220V - 50Hz
1	Brake Assembly	1	PS-3205	PS-3206
2	Screw	4	P-2187	P-2187
3	Motor Assembly	1	PS-3163	PS-3165
4	Motor Bolt	4	P-2121	P-2121
5	Washer	4	P-2124	P-2124
6	Nut	4	P-2122	P-2122
7	Gearbox Assembly	1	PS-3162	PS-3162
8	Screw	3	P-2120	P-2120
9	Fan Assembly	1	PS-2402	PS-2401
10	Screw	4	P-2116	P-2116
11	Capacitor Assembly	1	PS-3177	PS-3176
12	Screw	2	P-2116	P-2116
13	Base	1	P-2037	P-2037
14	Rubber Foot Assembly	4	P-3423	P-3423

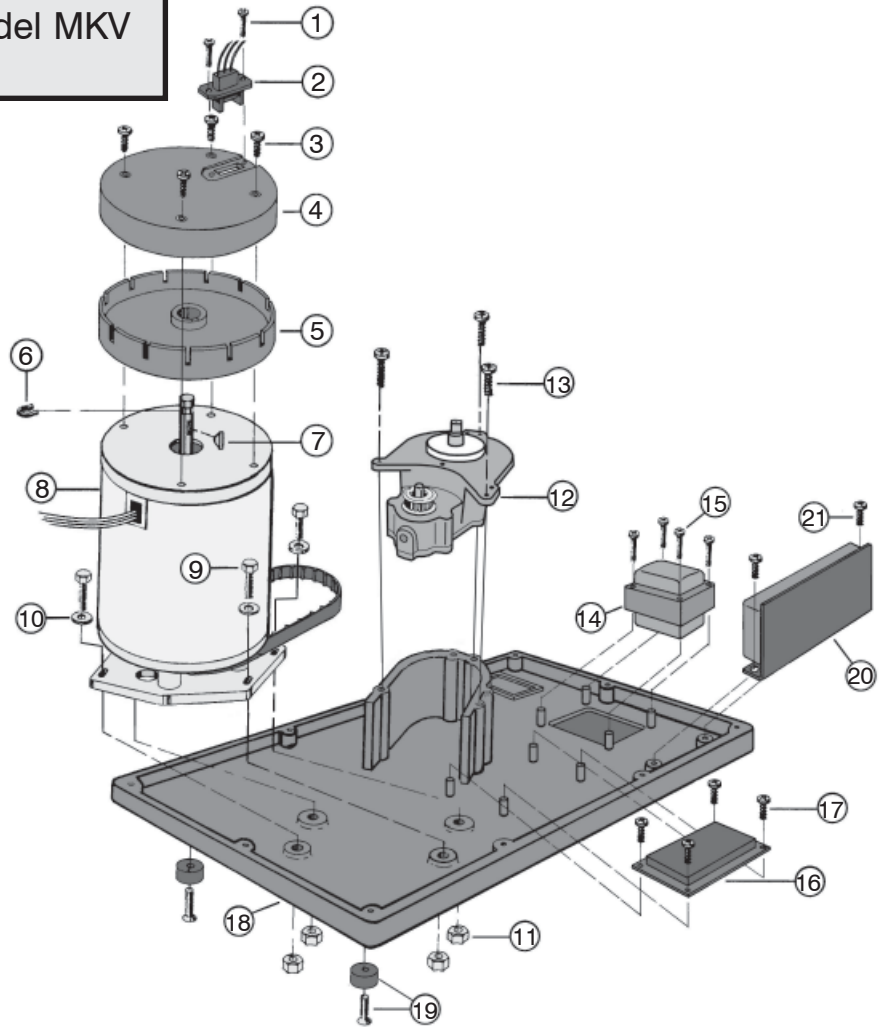
Power Base Housing Assembly Model MKV



7

Ref. No.	Description	Qty.	Part Number for Model MKV	
1	Screw	1	PS-2512	
2	Safety Clamp	1	PS-2511	
3	Screw	1	P-2118	
4	Pump Driver Assembly	1	P-3029	
5	Power Base Housing	1	P-3028	
6	Trip Pin	1	P-2046	
7	Trip Arm Assembly	1	P-3030	
8	Boot	1	P-2072	
9	Trigger Switch	1	P-2141	
10	Keypad	1	P-2085	
Timer Board Assembly			120V	220V
11	Timer Board (Old Version)	1	PV-3716	PV-3717
	-OR-			
	Timer Board (New Version)	1	PV-20572	PV-20687
	Motor Control (New Version)	1	PV-20573	PV-20573
12	Screw	5	P-2116	
13	Screw	10	P-2115	
14	Receptacle (Power Cord)	1	P-2628	
15	Fuse	2	P-2601	
16	Screw	4	P-2186	
17	Receptacle (Footswitch/Hose) Assy.	1	P-3333	
18	On/Off Switch	1	P-2142	

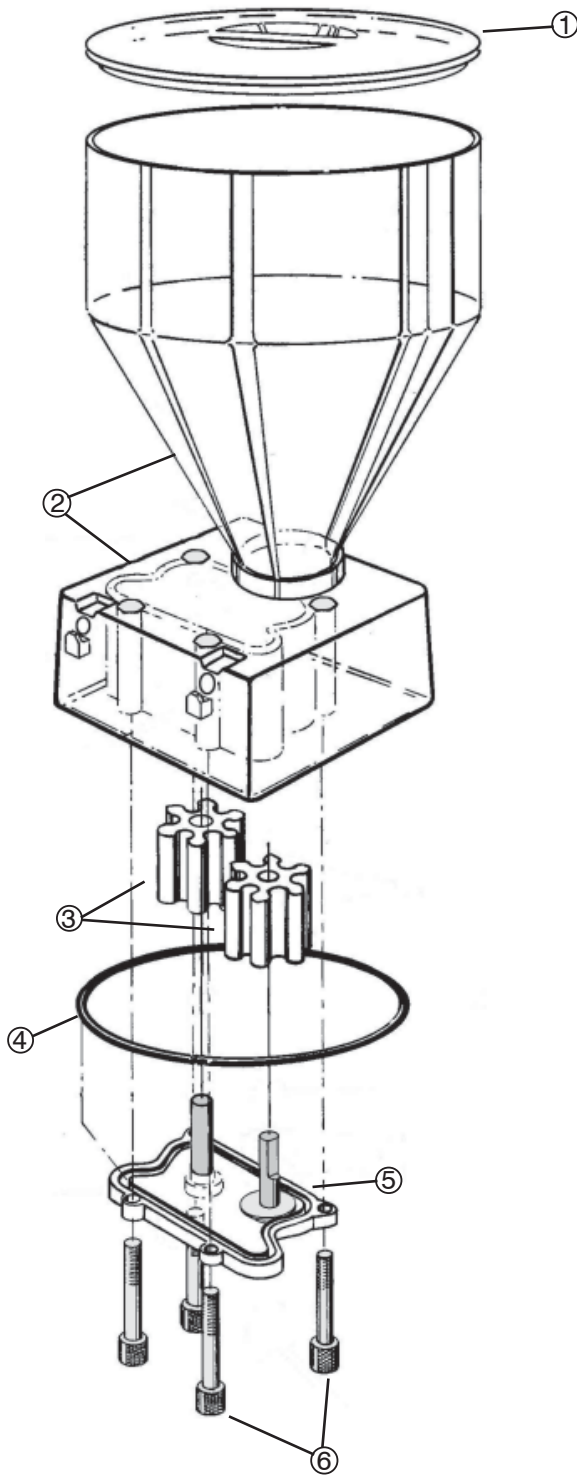
Base Assembly Model MKV



8

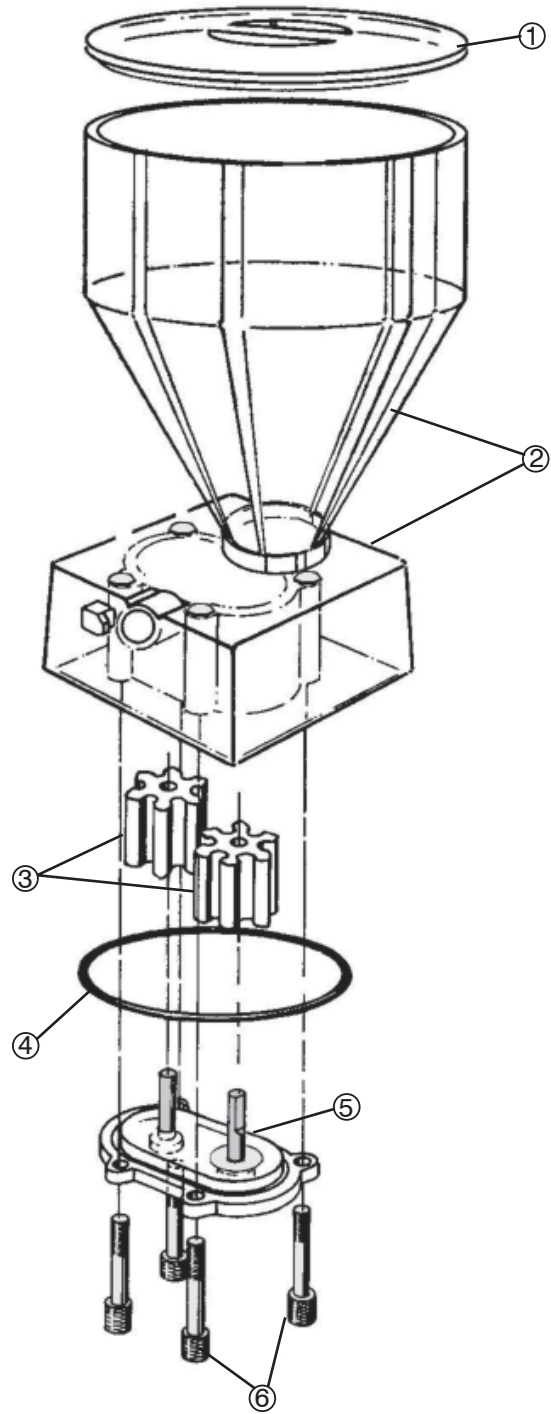
Ref. No.	Description	Qty.	Part Number for Model MKV	
			Old Version	New Version
1	Screw	2	CD-2552	
2	Sensor	1	PV-2755	
3	Screw	4	PS-2494	
4	Encoder Cover	1	PV-2761	
5	Encoder	1	PV-2410	PV-20571
6	Retaining Ring	1	PS-2382	
7	Key	1	P-2084	
8	Motor Assembly	1	PV-3284	PV-3376
9	Motor Bolt	4	PS-2386	
10	Washer	4	P-2124	
11	Nut	4	P-2122	
12	Gearbox Assembly	1	PV-3178	
13	Screw	3	P-2120	
14	Transformer	1	PV-2756	
15	Screw	4	PV-2764	
16	Power Supply (120V 50/60Hz)	1	PV-3723	PV-3468
	Power Supply (220V 50/60Hz)		PV-3724	PV-3469
17	Screw	4	P-2116	
18	Base	1	PS-2385	
19	Rubber Foot Assembly	4	P-3423	
20	Amplifier	1	PV-2757	
21	Screw	2	T-2130	

F-Series Filler Unit
Double Outlet Assembly



Ref. No.	Description	Qty.	Part Number for:	
			6 Qt./5.5L	18Qt./17L
1	Lid	1	F-2152	F-2261
2	Bowl & Housing Assembly	1	F-3006	F-3058
3	Impeller Set	1	F-3002	
4	Cover Seal (O-Ring)	1	F-2076	
5	Pump Cover Assembly	1	F-3001	
6	Thumb Screw	4	F-2034	

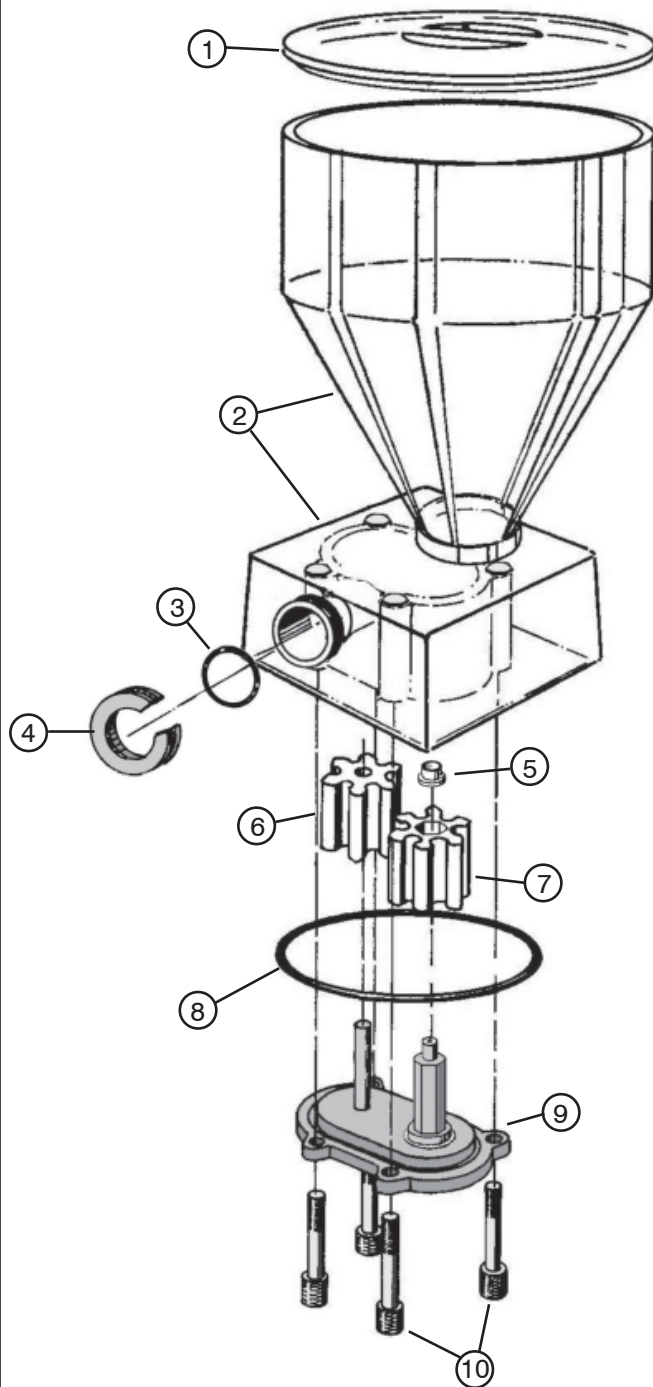
F-Series Filler Unit
Single Outlet Assembly



10

Ref. No.	Description	Qty.	Part Number for:	
			6 Qt./5.5L	18Qt./17L
1	Lid	1	F-2152	F-2261
2	Bowl & Housing Assembly	1	F-3007	F-3060
3	Impeller Set	1	F-3002	
4	Cover Seal (O-Ring)	1	F-2179	
5	Pump Cover Assembly	1	F-3010	
6	Thumb Screw	4	F-2034	

FHP-Series Filler Unit Single Outlet Assembly



11

Ref. No.	Description	Qty.	Part Number	
1	Lid	1	F-2152	F-2261
2	Bowl & Housing Assembly	1	FHP-3442	FHP-3404
			6 Qt./5.5L	18Qt./17L
3	Spout Seal (O/Ring)	1	RP-2371	
4	Spout Retaining Nut	1	FS-2344	
5	Nylon Bearing	1	FS-2306	
6	Impeller-Idler	1	FHP-2928	
7	Impeller-Drive	1	FHP-2929	
8	Cover Seal (O-Ring)	1	F-2179	
9	Pump Cover Assembly	1	F-3010	
10	Thumb Screw	4	F-2034	

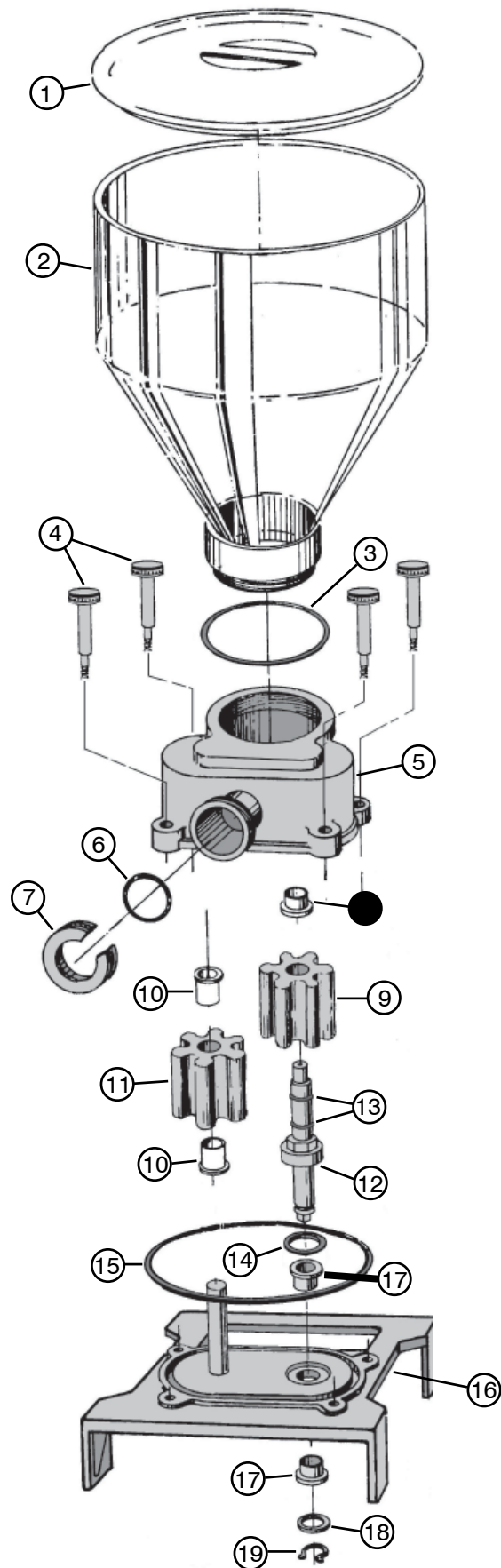
FS-Series Filler Unit Gear-Type Pump Assembly

Ref. No.	Description	Qty.	Part Number				
1	Lid	1	F-2152	F-2261	F-2261	F-2261	FS-3200
2	Hopper	1	FS-3155 6 Qt./5.5L Lexan	FS-3150 18Qt./17L Lexan	FS-2342 10 Qt./9.5L SS	FS-2313 / FS-2447 18 Qt./17L SS	FS-2748 36 Qt./34L SS
	FS-Series Pump Assembly	1	FS-3153 Stainless (SS)	FS-3414 Low Viscosity (LV)			
3	Hopper Seal FS-2311	1	★	★			
	Hopper Seal (EPMD) FS-20617		○	○			
5	Thumb Screw	4	FS-2879	FS-2879			
4	Pump Housing Assembly	1	FS-3152	FS-3152			
6	Spout Seal (O-Ring)	1	RP-2371	RP-2371			
7	Spout Retaining Nut	1	FS-2344	FS-2344			
8	Nylon Bearing	1	FS-2303	FS-2303			
9	Drive Impeller (SS) FS-3183	1	★	N/A			
	Drive Impeller (LV) FS-3492		N/A	★			
10	Nylon Bearing	2	FS-2407	FS-2407			
11	Idler Impeller (SS) FS-2415	1	★	N/A			
	Idler Impeller (Delrin) FS-2315		○	N/A			
	Idler Impeller (LV) FS-20560		N/A	★			
	FS-Series Pump Cover Assembly	1	FS-3151	FS-3151			
12	Drive Shaft	1	FS-2297	FS-2297			
13	Shaft Seal O/Ring FS-2801	2	★	★			
	Shaft Seal O/Ring (Viton) FS-20305		○	○			
14	Shaft Seal FS-2302	1	★	★			
	Shaft Seal (Viton) FS-2430		○	○			
	Shaft Seal (EPMD) FS-20615		○	○			
15	O-Ring Cover FS-2310	1	★	★			
	O-Ring Cover (Viton) FS-2903		○	○			
	O-Ring Cover (EPMD) FS-20616		○	○			
16	Pump Cover	1	FS-2296	FS-2296			
17	Bearing	2	FS-2303	FS-2303			
18	Spacer	1	FS-2301	FS-2301			
19	Retaining Ring	1	FS-2305	FS-2305			

Legend
★ = Standard Equipment
○ = Optional Equipment
N/A = Not Available

12

FS-Series Filler Unit
Gear-Type Pump Assembly



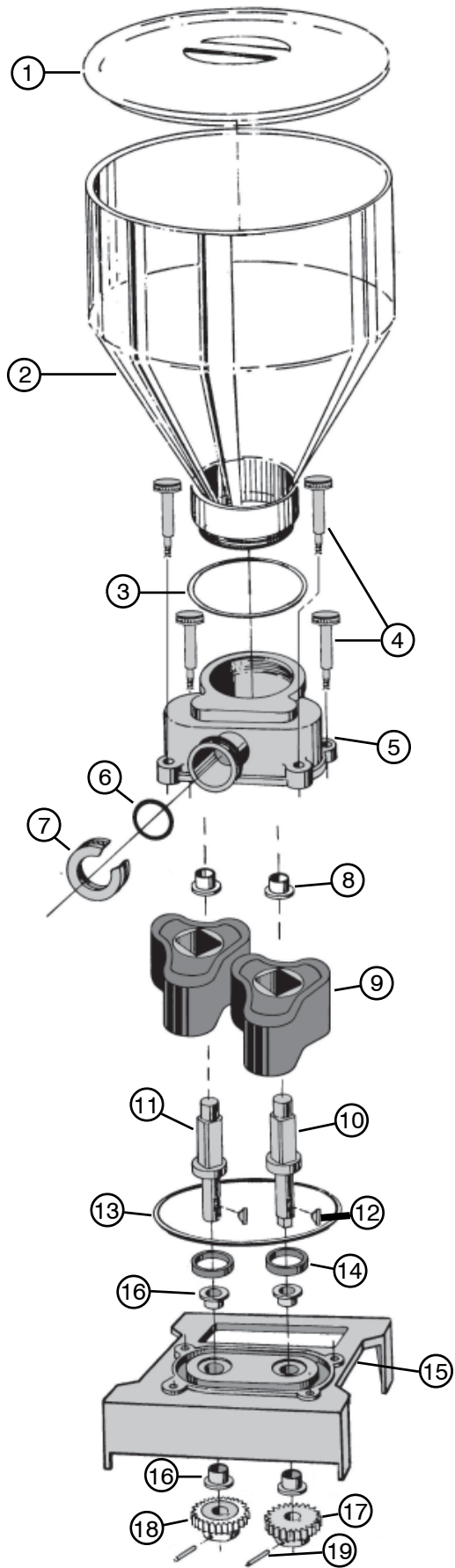
RP-Series Filler Unit Lobe-Type Pump Assembly

14

Ref. No.	Description	Qty.	Part Number					
			F-2152	F-2261	F-2261	F-2261	FS-3200	
1	Lid	1	FS-3155	FS-3150	FS-2342	FS-2313 / FS-2447	FS-2748	
2	Hopper	1	6 Qt./5.5L Lexan	18Qt./17L Lexan	10 Qt./9.5L SS	18 Qt./17L SS	36 Qt./34L SS	
RP-Series Pump Assembly		1	RP-3160 Viton	RP-3527 PEEK	RP-3514 Hi-Temp (SS)	RP-3521 Sanitary Outlet	RP-3529 Liquid (Gear-Type)	
3	Hopper Seal (O-Ring)	1	FS-2311	FS-2311	FS-2311	FS-2311	FS-2311	
	Hopper Seal (EPMD)		o	o	o	o	o	
5	Thumb Screw	4	FS-2879	FS-2879	FS-2879	FS-2879	FS-2879	
4	Pump Housing Assy.	1	RP-3159	RP-3159	RP-3159	RP-3159		
6	Spout Seal (O-Ring)	1	RP-2371	RP-2371	RP-2371	RP-2371	RP-2371	
7	Spout Retaining Nut	1	FS-2344	FS-2344	FS-2344	FS-2344	FS-2344	
8	Nylon Bearing	2	RP-2369	RP-2369	RP-2369	RP-2369	RP-2369	
9	3-Lobe Impeller (Viton)	RP-2873	2	★	o	o	★	N/A
	3-Lobe Impeller (SS)	RP-2926	2	o	o	★	o	N/A
	3-Lobe Impeller (PEEK)	RP-20666	2	o	★	o	o	N/A
	2-Lobe Impeller (Viton)	RP-2769	2	o	o	o	o	N/A
	2-Lobe Impeller (SS)	RP-2343	2	o	o	o	o	N/A
	Gear-Type Impeller (Liquids)	RP-20688	2	N/A	N/A	N/A	N/A	★
RP-Series Pump Cover Assembly		1	RP-3158	RP-3158	RP-3513	RP-3158	RP-3530	
10	Drive Shaft	1	RP-2340	RP-2340	RP-2340	RP-2340		
11	Idler Shaft	1	RP-2341	RP-2341	RP-2341	RP-2341		
12	Key	2	RP-20616	RP-20616	RP-20616	RP-20616	N/A	
13	Cover Seal (O-Ring)	1	RP-2023	RP-2023		RP-2023	RP-2023	
14	Shaft Seal (Nitrile)	FS-2302	2	★	★	o	★	★
	Shaft Seal (Hi-Temp)	FS-2430	2	o	o	★	o	o
	Shaft Seal (EPMD)	FS-20615	2	o	o	o	o	o
15	Pump Cover	1	RP-2318	RP-2318	RP-2318	RP-2318	RP-2318	
16	Bearing	4	FS-2303	FS-2303	FS-2303	FS-2303	FS-2303	
17	Timing Gear (Left)	1	RP-2367	RP-2367	RP-2367	RP-2367	N/A	
18	Timing Gear (Right)	1	RP-2366	RP-2366	RP-2366	RP-2366	N/A	
19	Pin	2	RP-2370	RP-2370	RP-2370	RP-2370	N/A	
NOT SHOWN	Spacer-Shaft	2	N/A	N/A	N/A	N/A	FS-2301	
NOT SHOWN	Retaining Ring	2	N/A	N/A	N/A	N/A	FS-2305	

Legend	
★	= Standard Equipment
o	= Optional Equipment
N/A	= Not Available

RP-Series Filler Unit
Lobe-Type Pump Assembly





edhard

Edhard Corp.
279 Blau Road
Hackettstown, NJ 07840 • USA
Tel: 908.850.8444 • Fax: 908.850.8445
Toll Free (in USA): 888.edhard.1
www.edhard.com