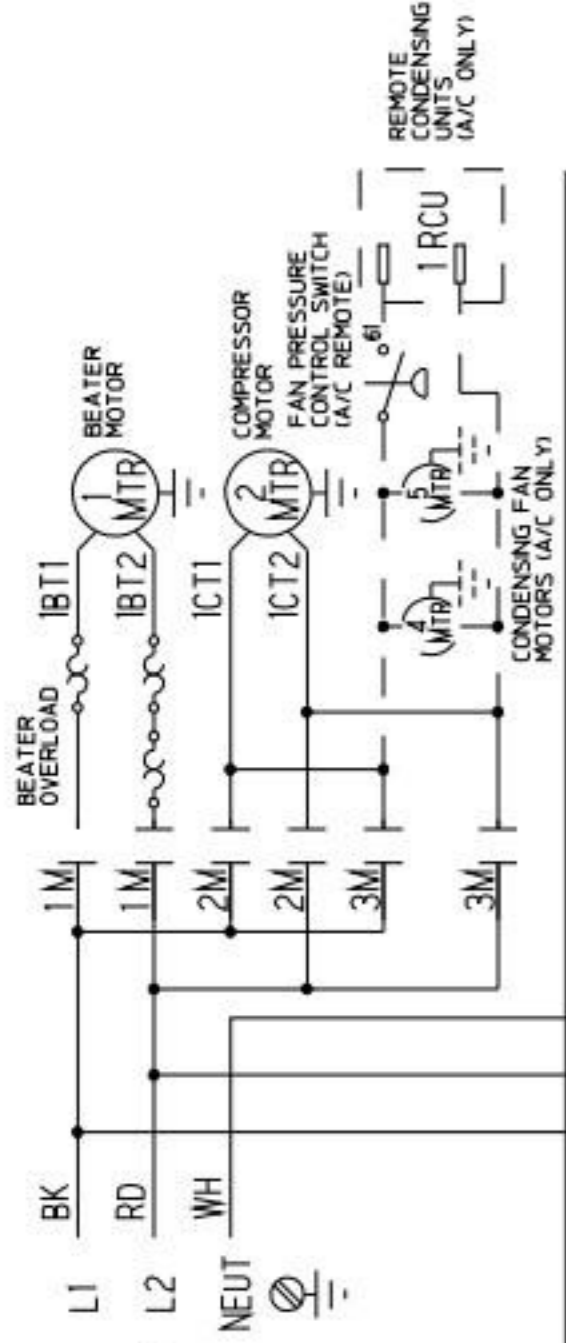
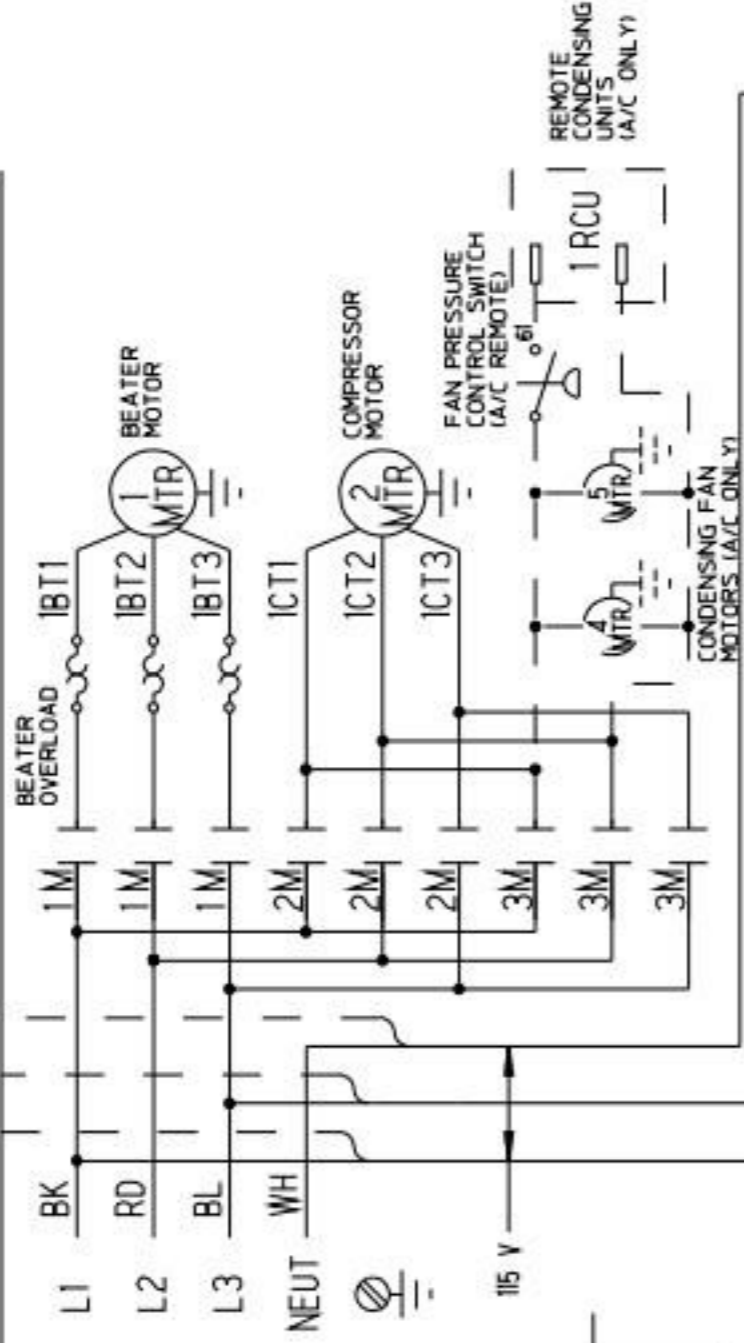


CUSTOMER'S CONNECTION
208-230V/1PH/60HZ
3-WIRE UNITS
(SEE NOTES)



CUSTOMER'S CONNECTION
208-230V/3PH/60HZ
200-240V/3PH/50HZ
4-WIRE UNITS
(SEE NOTES)



78RMT

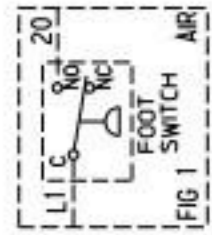
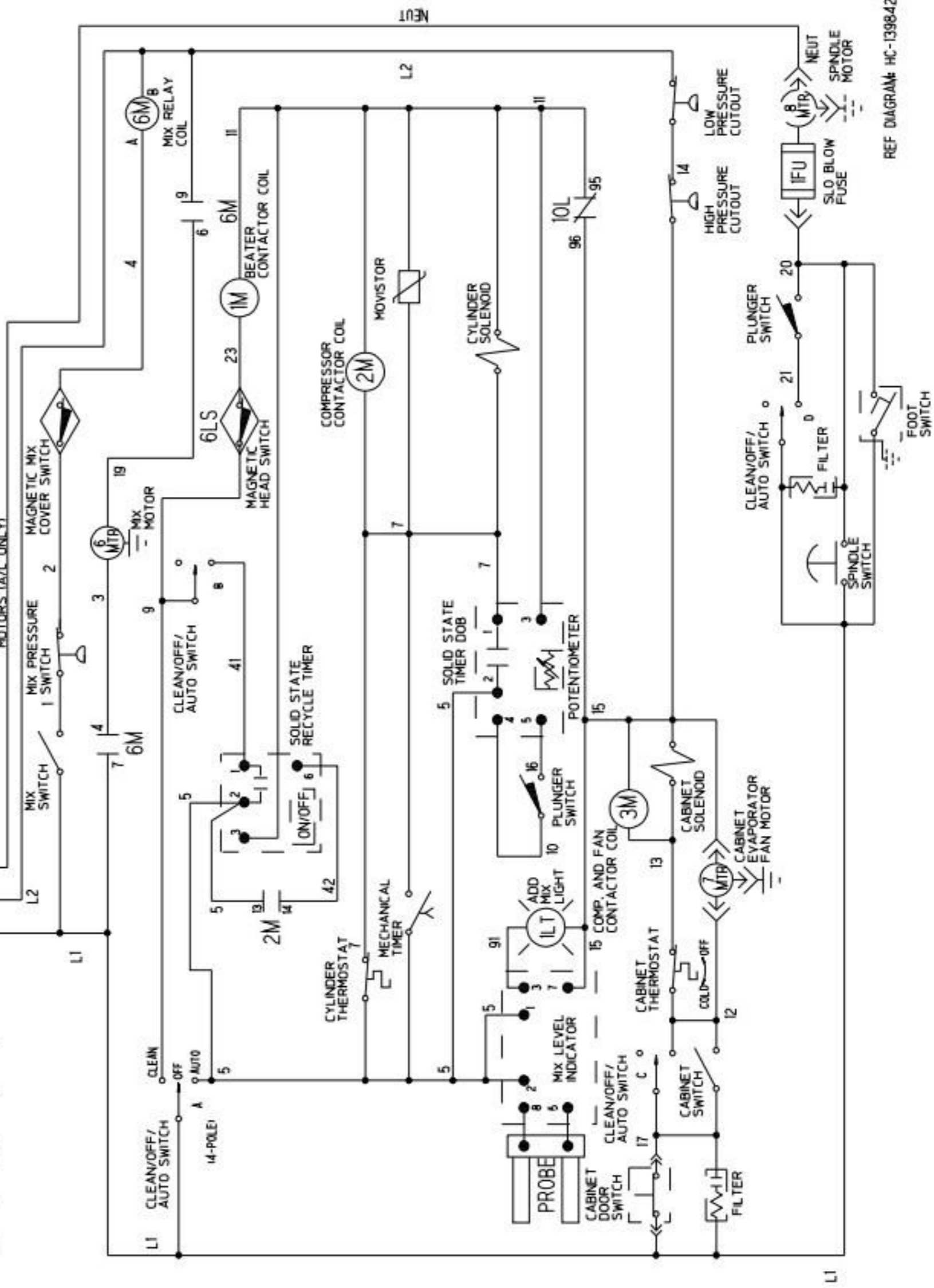


FIG 1