

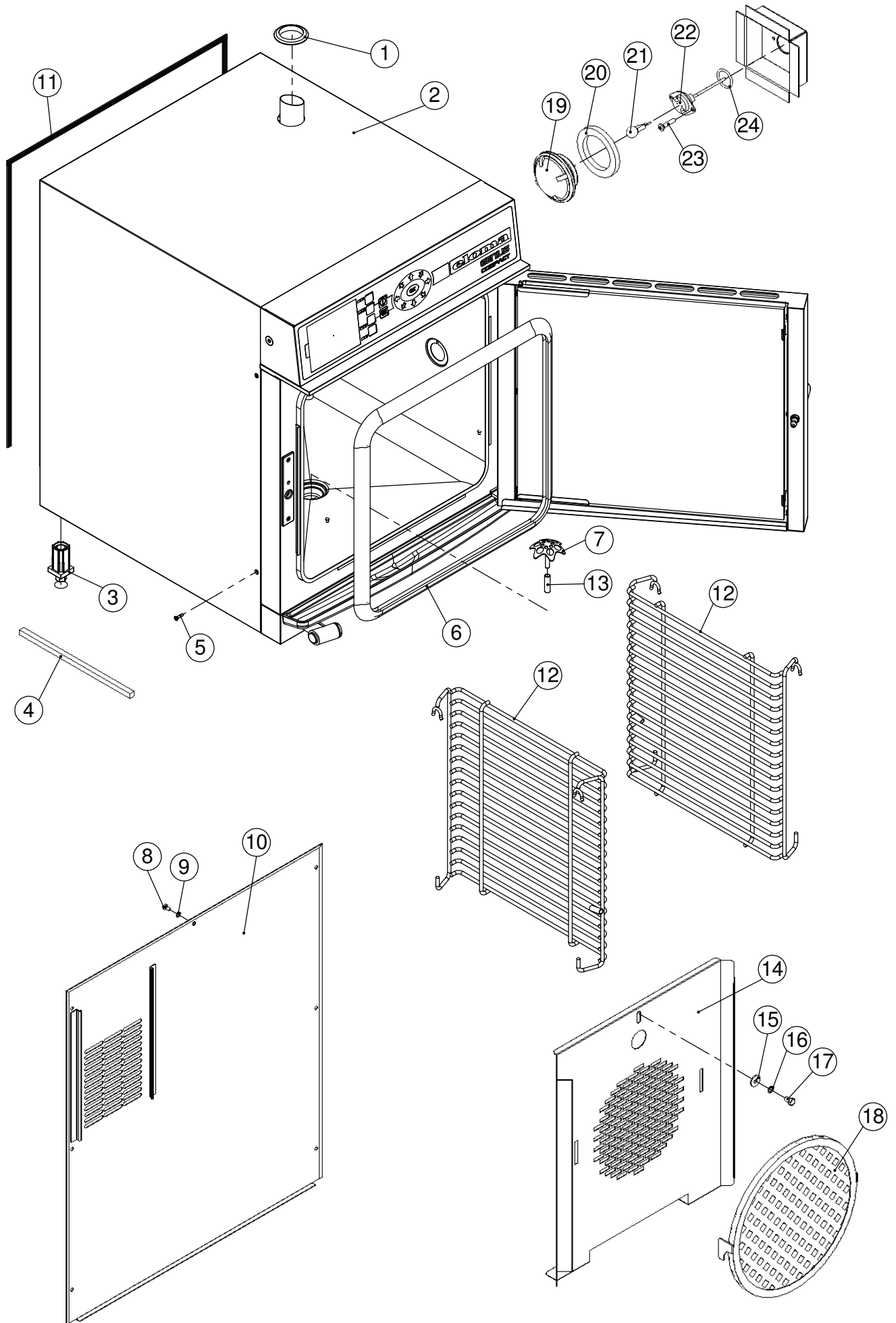
**Spare part list  
Combi Steamer  
623 07  
GENIUS COMPACT**





Assembly mounting parts	<b>2</b>
Assembly door	<b>4</b>
Assembly control unit	<b>6</b>
Assembly motor heating	<b>8</b>
Assembly electric sheets	<b>10</b>
Assembly outlet air, electric	<b>12</b>
Assembly water	<b>14</b>
Assembly autoclean	<b>16</b>

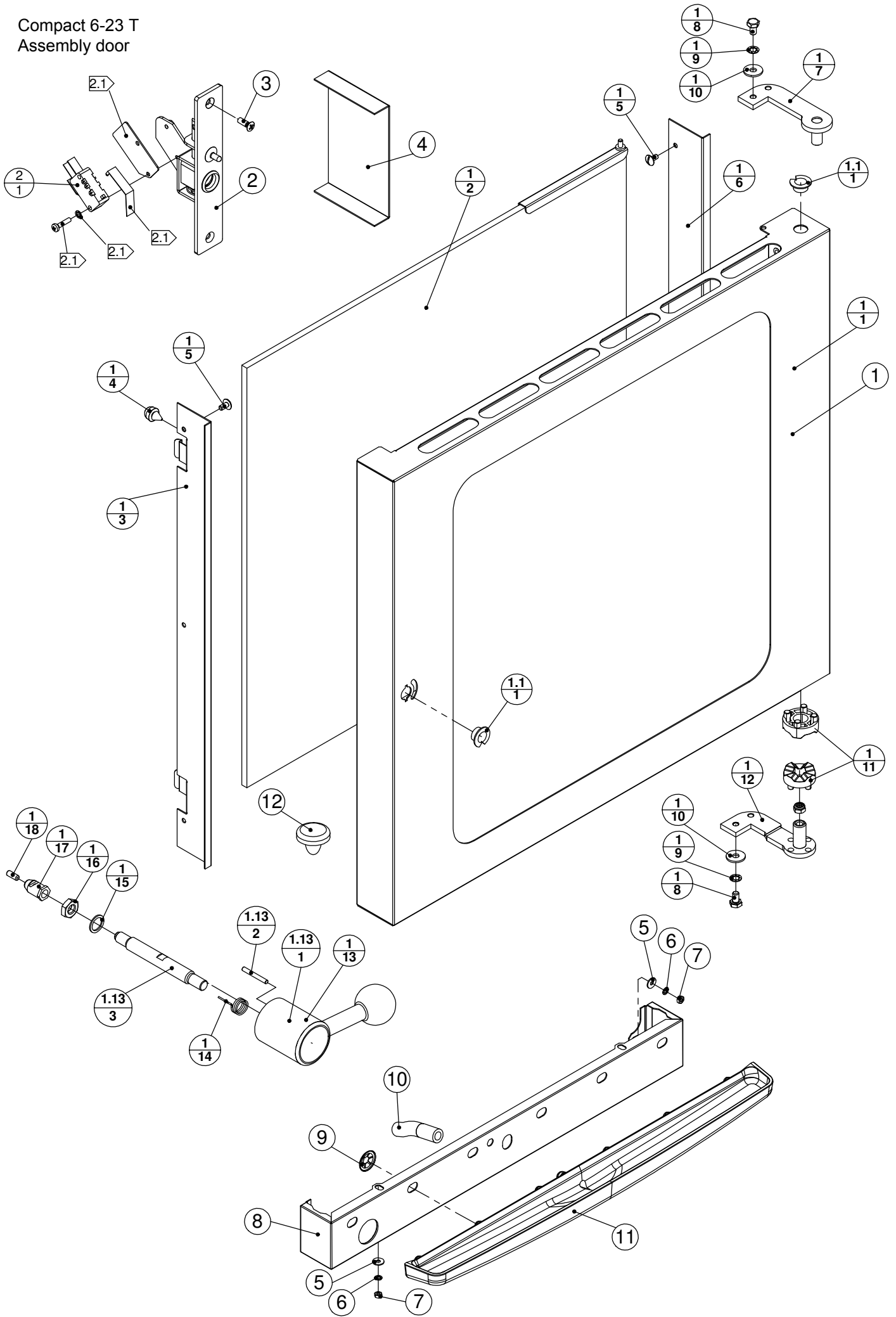
Compact 6-23 T  
Assembly mounting parts



## Compact 6-23

1	EL0584096	Gasket drain
2	EL0501594	Casing 07 623
3	EL0503099	Glider 30x30 plastic
4	EL0786896	Sealing strip 10x10x260 d2k 623 03
5	EL0000310	Rounded countersunk head screw DIN 966 M4x16 V2A
6	EL0693219	Door sealing d2k 623
7	EL0781703	Filter cap 623
8	EL0001015	Lens head screw DIN 7985 M4x8 V2A
9	EL0050849	Lock washer DIN 6797 J4,3 V2A
10	EL0501245	Back wall 07 623
11	EL0587265	Sealing profile 9x3,5 mm
12	EL0501459	Hang-in-rack 623
13	EL0500519	Pipe
14	EL0501152	Air conducting sheet 07 623
15	EL0000582	Washer DIN 9021 6,4 V2A
16	EL0892912	Lock washer DIN 6797 J6,4 V2A
17	EL0251836	Hexagon head screw DIN 933 M6X10 V2A
18	EL0776041	Fat filter 623 03
19	EL0092339	Glass lamp
20	EL0693421	Sealing glass
21	EL0570478	Halogen lamp 12V 20W
22	EL0577294	Halogen lamp holder
23	EL0162469	Lens head screw DIN 7985 M3X16 VA2
24	EL0577642	O-Ring 1,5x17 silicone

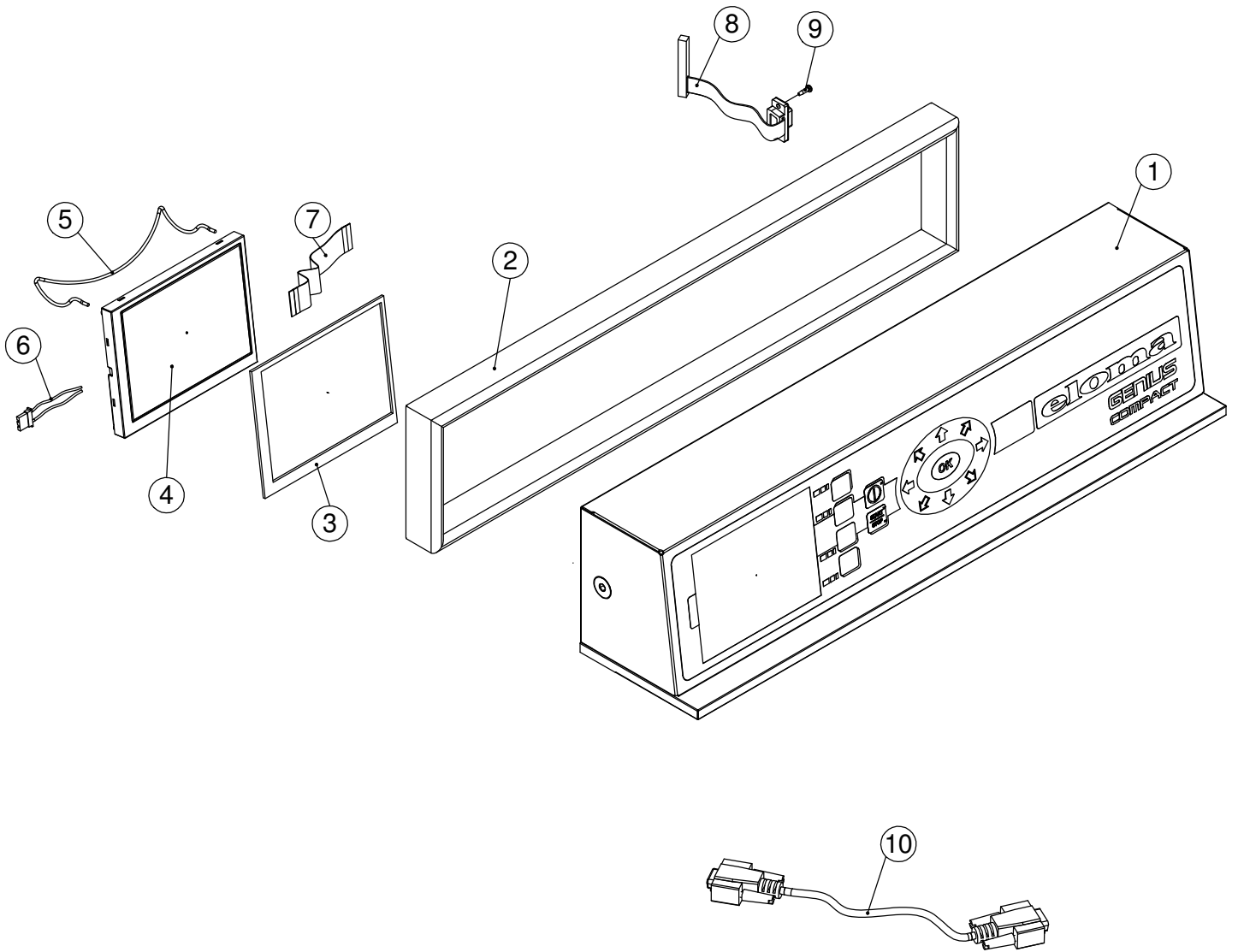
Compact 6-23 T  
Assembly door



Compact 6-23

1	EL0501828	Door mounted 07 623 RA sapphire with door handle
1	EL0501981	Door mounted 07 623 LA sapphire with door handle
1.1	EL0501829	Exterior door cpl. RA 07 623
1.1	EL0501982	Exterior door cpl. LA 07 623
1.1.1	EL0782432	Collar bush
1.2	EL0501938	Internal door cpl. 611 07
1.3	EL0501839	Cover panel side interlocking RA 07 623
1.3	EL0501984	Cover panel side interlocking LA 07 623
1.4	EL0596728	Rubber
1.5	EL0525316	Cup screw M 4x8 VA
1.6	EL0501838	Cover panel hinge RA 07 623
1.6	EL0502222	Cover panel hinge LA 07 623
1.7	EL0501951	Strape hinge above RA 07 623
1.7	EL0501986	Strape hinge above LA 07 623
1.8	EL0251836	Hexagon head srew DIN 933 M6X10 V2A
1.9	EL0892912	Lock washer DIN 6797 J6,4 V2A
1.10	EL0000582	Washer DIN 9021 6,4 V2A
1.11	<a href="#">EL0504697</a>	Rest disk (2x)
1.12	EL0501944	Strape hinge back RA 07 623
1.12	EL0501983	Strape hinge back LA 07 623
1.13	EL0502109	Door handle 07 623 RA blue
1.13	EL0502112	Door handle 07 623 LA blue
1.13.1	EL0782459	Handle door lock 623 RAL 5003 blue
1.13.2	EL0878758	Cylinder bolt DIN 7 3x24 V2A
1.13.3	EL0501953	Shaft door handle 07 623
1.14	EL0783390	Torsion spring RA 623 03
1.14	EL0783382	Torsion spring LA 623 03
1.15	EL0593923	Washer DU-B D=14 d=10 t=1
1.16	EL0012157	Hexagon nut low DIN 439 M8 V2A
1.17	EL0588458	Bolt locking d2k 623
1.18	EL0588512	Threaded pin DIN 914 M4x10
2	EL0980080	Locking unit d2k 623 mounted
2.1	EL0504701	Microswitch (ET)
3	EL0039411	Rounded countersunk head screw DIN 966 M4x12 V2A
4	<a href="#">EL0782408</a>	Cover sheet
5	<a href="#">EL0026999</a>	Washer DIN 9021 4,3 V2A
6	EL0050849	Lock washer DIN 6797 J4,3 V2A
7	EL0003905	Hexagon nut DIN 934 M4 V2A
8	EL0782742	Holding plate gutter 623 03
9	<a href="#">EL0781649</a>	Connection plate
10	EL0593303	Silicon hose D9X3 transparent
11	EL0786144	Drain trench d2k 623 blue
12	EL0504756	Puffer

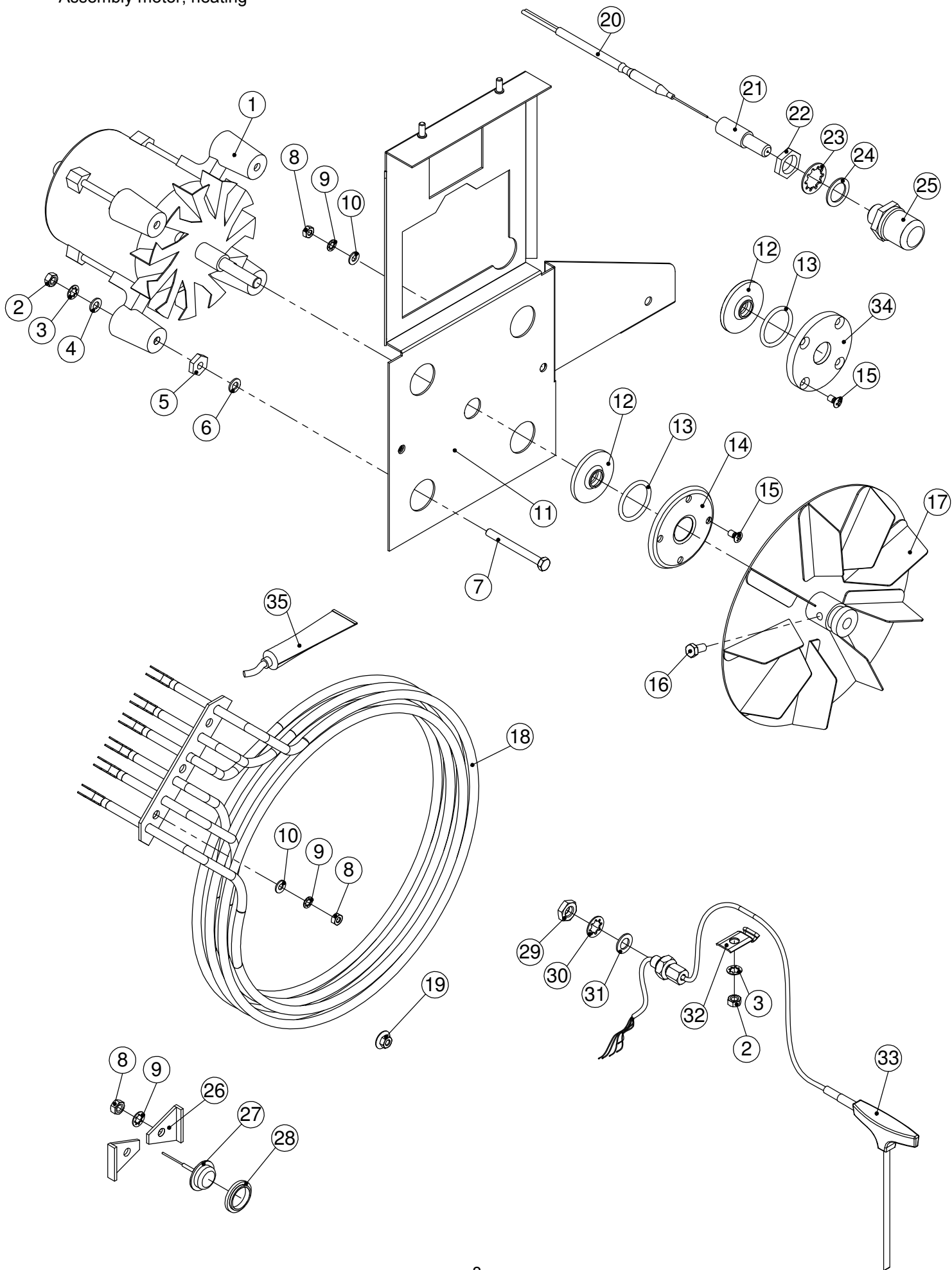
Compact 6-23 T  
Assembly control unit



Compact 6-23

1	EL0507474	Operating panel 07 623 compact blue
2	EL0785997	Gasket control unit d2k 623 03
3	EL0500534	Dust seal Display
4	EL0500642	Display 5,7"
5	EL0501639	Spring
6	EL0501007	Cable lighting display
7	EL0501008	Flat calbe 40 pôle display
8	EL0976512	Cable connection HACCP RSFBK 9-pol 1100mm
9	EL0786055	Screw 2.5x10 mm
10	EL0776696	Data line PC HACCP 2m
10	EL0898511	Data line PC HACCP 5m

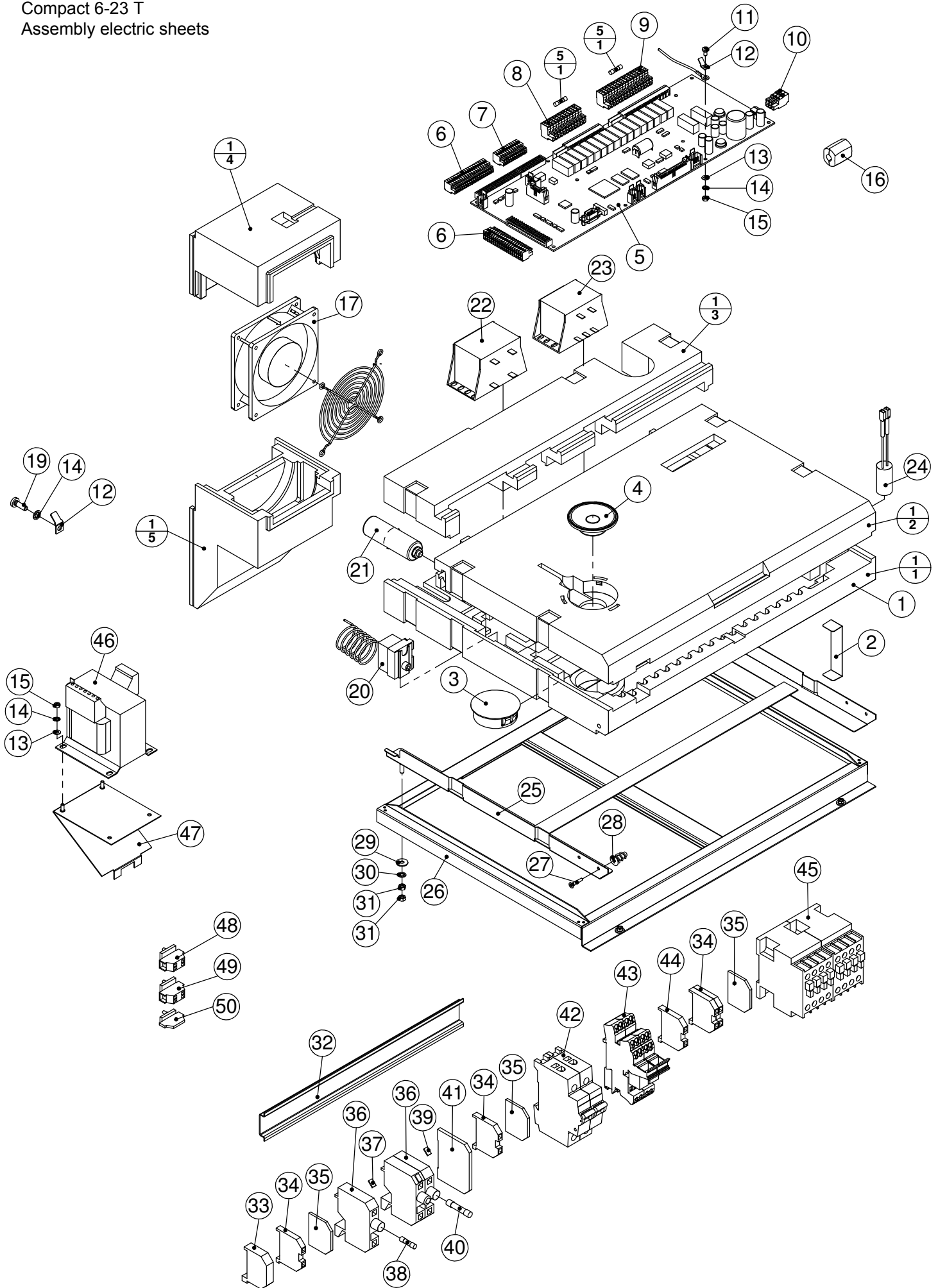
Compact 6-23 T  
 Assembly motor, heating



Compact 6-23

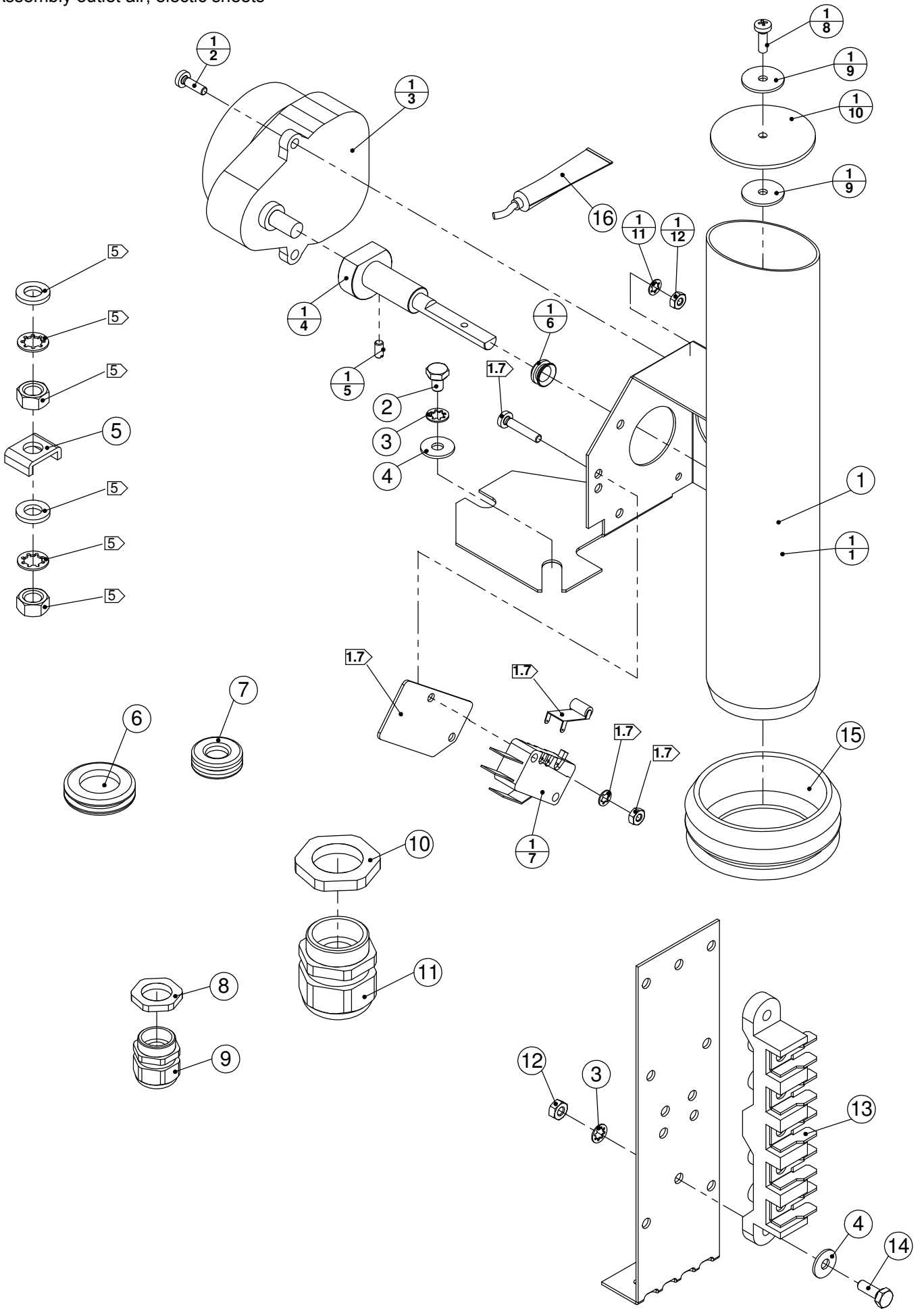
1	EL0693286	Motor
2	EL0252867	Hexagon nut DIN 934 M5 V2A
3	EL0304816	Lock washer DIN 6797 J5,3 V2A
4	EL0003980	Washer DIN 125 A5,3 V2A
5	EL0585874	Motor spacer EB 30 d2k 623
6	EL0693367	Washer DIN 125 A5,3 CU
7	EL0693359	Hexagon head srew DIN 933 M5X50 V2A
8	EL0003905	Hexagon nut DIN 934 M4 V2A
9	EL0050849	Lock washer DIN 6797 J4,3 V2A
10	EL0001007	Washer DIN 125 A4,3 V2A
11	EL0501203	Motor isolating sheet 623
12	EL0897914	Shaft sealing ring
13	EL0505056	O-Ring 26,64x2,62
14	EL0503672	Seal retainer EB 30
15	<a href="#">EL0014249</a>	Rounded countersunk head screw DIN 966 M4x8 V2A
16	EL0003743	Hexagon head srew DIN 933 M5X10 V2A
17	<a href="#">EL0693375</a>	Fan wheel
18	EL0503402	Heatingelement 3x208V EB 30 d2k 623
19	EL0553395	Disk nut M4 V2A
20	EL0570621	NiCrNi sensor
21	EL0336211	Inset teflon
22	EL0035637	Hexagon nut R 1/4 SW 19X6
23	EL0758574	Lock washer DIN 6797 A12,5 V2A
24	EL0582247	Gasket 13x19x1 DIN 7603 CU
25	EL0336394	Protection grid NiCrNi
26	EL0287695	Support STB
27	EL0504602	Safety temperature limiter
28	EL0373079	Centric bush
29	EL0001317	Hexagon nut low DIN 439 M8X1 V2A
30	EL0892920	Lock washer DIN 6797 J8,4 V2A
31	<a href="#">EL0570826</a>	Gasket 8x14x1
32	<a href="#">EL0787825</a>	Cable clamp core temperature sensor
33	<a href="#">EL0747017</a>	Core temperature sensor 06
34	EL0693324	Shaft sealing support EB 30 d2k 623
35	EL0872849	Silicon adhesives Novasil S25 cartridge 80ml

Compact 6-23 T  
 Assembly electric sheets



1	EL0500993	E-worktop cpl 07 623
1.1	EL0500994	E-worktop bottom part 07 623
1.2	EL0500995	E-worktop top part front 07 623
1.3	EL0500996	E-worktop top part back 07 623
1.4	EL0500997	E-worktop fan top 07 623
1.5	EL0500998	E-worktop fan bottom 07 623
2	EL0500999	Mounting clip E-worktop
3	EL0501017	Cape D=57
4	EL0749877	Speaker
5	EL0502001	Main bord 07 Joker T
5	EL0502026	Main bord 07 Joker B
5.1	EL0779601	Fine fuse 8 A slow
6	EL0749869	Plug 20-poles
7	EL0749850	Plug 12-poles
8	EL0501002	Plug 12-poles angulate upturn
9	EL0501003	Plug 16-poles angulate upturn
10	<a href="#">EL0898821</a>	Plug 3-poles
11	EL0001015	Lens head screw DIN 7985 M4x8 V2A
12	EL0501022	Contact pin with fane for earthing
13	EL0001007	Washer DIN 125 A4,3 V2A
14	EL0050849	Lock washer DIN 6797 J4,3 V2A
15	EL0003905	Hexagon nut DIN 934 M4 V2A
16	EL0785040	Ferrite case
17	EL0693456	Axial fan 119x119x38 230V
18	EL0501998	Fan grid
19	EL0010537	Lens head screw DIN 7985 M4x12
20	EL0504602	Safety temperature limiter
21	EL0693480	Capacitor 3m $\mu$ F
22	EL0572217	Transformer 230V/2x11,5V
23	EL0761346	Transformator 2X13.5V UL
24	EL0338419	Anti-interference capacitor
25	EL0501821	Base fram E-worktop 07 623
26	EL0501206	Support sheet E-worktop kpl 07 623
27	EL0501275	Screws 3,5x20
28	EL0501032	Dowel
29	EL0082155	Washer DIN 9021 5,3 V2A
30	EL0304816	Lock washer DIN 6797 J5,3 V2A
31	EL0252867	Hexagon nut DIN 934 M5 V2A
32	EL0501011	Top hat rail 07 623
33	EL0337676	End clamp 10mm
34	EL0572055	Clamp 4 qmm GY
35	EL0570966	End plate 4 qmm
36	<a href="#">EL0326941</a>	Fuse holder
37	EL0765406	Label 4 A
38	EL0765368	Fine fuse 4 A slow
39	EL0568155	Label 10 A
40	<a href="#">EL0578975</a>	Fine fuse 10 A slow
41	EL0327514	End plate grey
42	EL0501308	Automatic cutout 10A
43	EL0501204	Auxiliary relay
44	EL0571067	Clamp 4 qmm BU
45	EL0523909	Contactora A 9-30-10
46	<a href="#">EL0761311</a>	Transformer 200/230 V
47	EL0501461	Support transformer 07 623
48	<a href="#">EL0571075</a>	Clamp 4 conductors GY
49	EL0513997	Clamp 4 conductors BU
50	<a href="#">EL0570907</a>	End plate

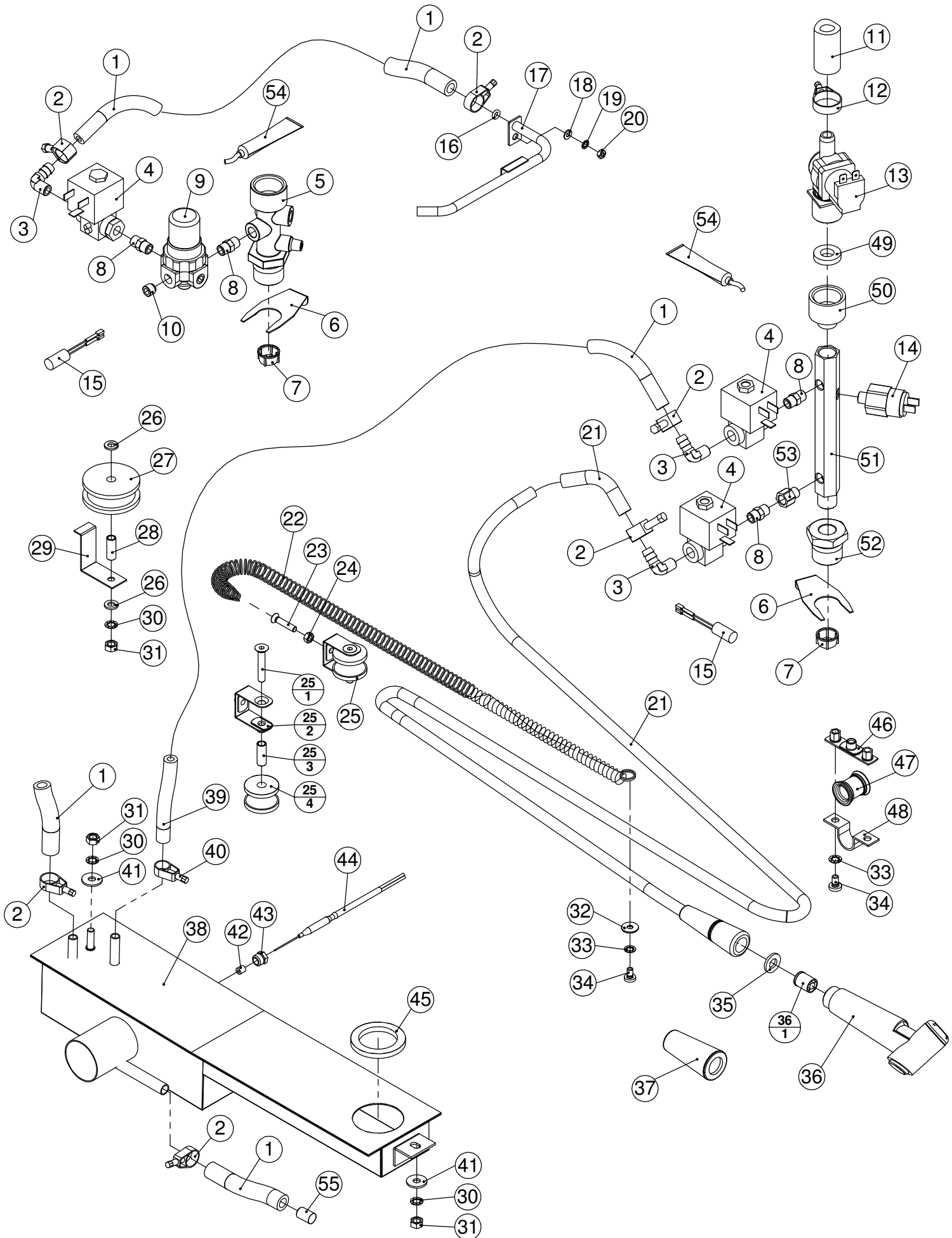
Compact 6-23 T  
 Assembly outlet air, electric sheets



## Compact 6-23

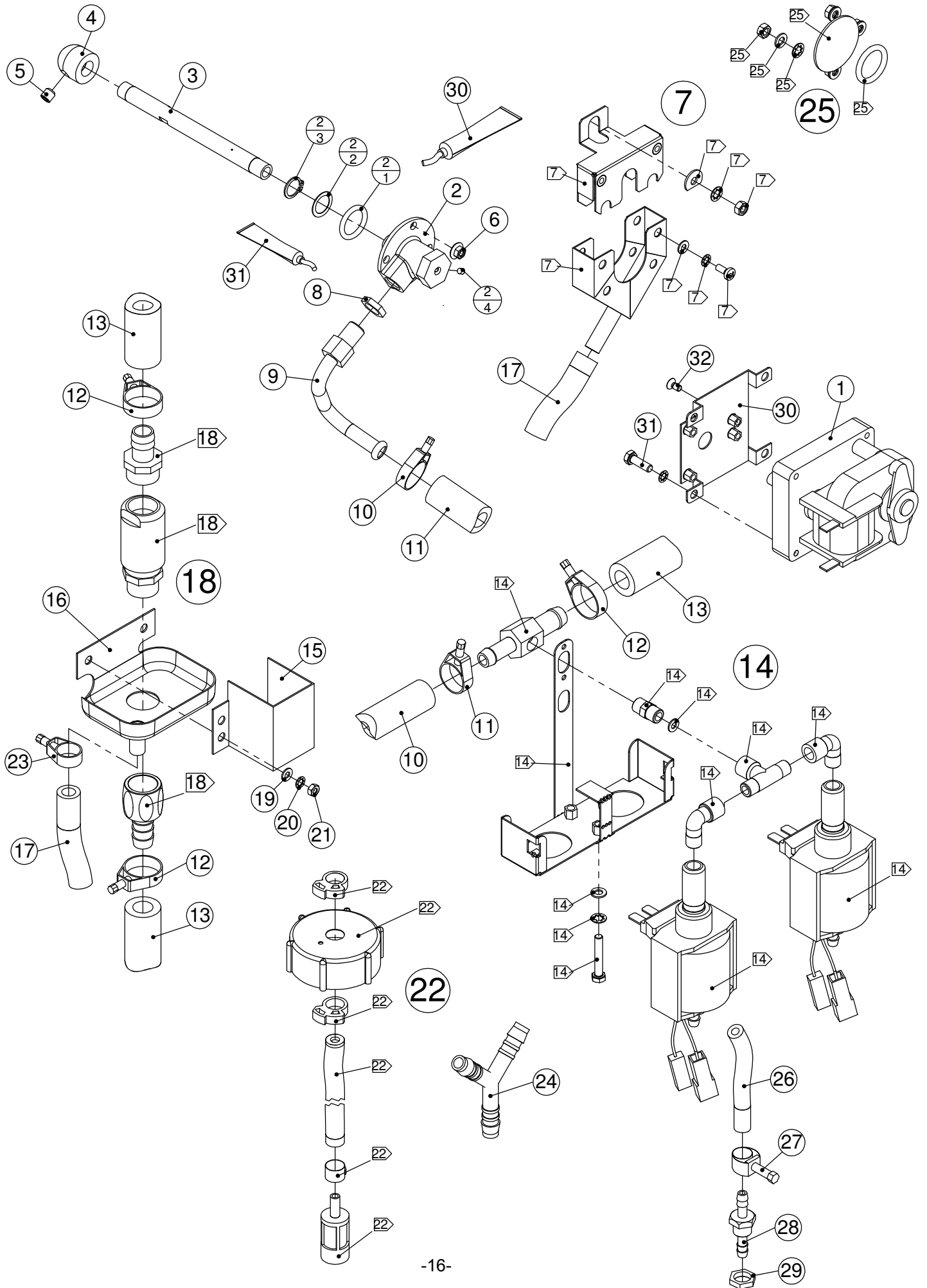
<b>1</b>	EL0876070	Exhaust air pipe mounted d2k 623
<b>1.1</b>	EL0876089	Exhaust air pipe EB 30 d2k 623
<b>1.2</b>	EL0014028	Lens head screw DIN 7985 M3x10 V2A
<b>1.3</b>	EL0781894	Gear motor 230 V
<b>1.4</b>	EL0876100	Shaft air flap EB 30 d2k 623
<b>1.5</b>	EL0530948	Threaded pin DIN 551 M3X6 V2A
<b>1.6</b>	EL0781851	Gasket ring d=6
<b>1.7</b>	EL0504701	Microswitch (ET)
<b>1.8</b>	EL0010383	Lens head screw DIN 7985 M3X8 V2A
<b>1.9</b>	EL0876127	Exhaust air flap EB 30 EB 30 XL 623
<b>1.10</b>	EL0876119	Gasket drain EB 30 d2k 623
<b>1.11</b>	EL0050822	Lock washer DIN 6797 J3,2 V2A
<b>1.12</b>	EL0000396	Hexagon nut DIN 934 M3 V2A
<b>2</b>	EL0570923	Hexagon head srew DIN 933 M4X6 V2A
<b>3</b>	EL0050849	Lock washer DIN 6797 J4,3 V2A
<b>4</b>	<a href="#">EL0026999</a>	Washer DIN 9021 4,3 V2A
<b>5</b>	EL0527661	Support bridge M6 (ET)
<b>6</b>	EL0232963	Spout DG 16
<b>7</b>	EL0553441	Rubber bushing, DG 9
<b>8</b>	EL0501021	Lock nut M12X1.5 UL
<b>9</b>	EL0501019	Connection M12x1,5 brass
<b>10</b>	EL0501323	Lock nut M25x1.5 UL
<b>11</b>	EL0501322	Connection M25x1,5 brass
<b>12</b>	EL0003905	Hexagon nut DIN 934 M4 V2A
<b>13</b>	EL0553298	Connection terminal
<b>14</b>	<a href="#">EL0873470</a>	Hexagon head srew DIN 933 M4X12 V2A
<b>15</b>	EL0155349	Gasket DN 40
<b>16</b>	EL0593567	Loctite 511 sealing material

Compact 6-23 T  
 Assembly water



1	EL0593303	Silicon hose D9X3 transparent
2	EL0276634	Hose clip 14-19
3	EL0292605	Hose connector
4	EL0954535	Solenoid valve 208V-240V
5	EL0502733	Valve support (ET)
6	EL0889520	Spring clip
7	EL0249688	Filter
8	EL0754447	Double nipple
9	EL0871419	Pressure-reducing valve (ET)
10	EL0399280	Locking screw 1/8"
11	EL0753661	Tube 13x5 blue
12	<a href="#">EL0756040</a>	Hose clamp 25
13	EL0761397	Solenoid valve UL 1-fold
14	EL0784028	Pressure switch
15	EL0501088	Anti-interference capacitor completemit with contact pin
16	EL0580627	O-Ring 6,75x1,78 viton
17	EL0693391	Water pipe EB 30 d2k 623
18	EL0001007	Washer DIN 125 A4,3 V2A
19	EL0889490	Washer 5,2x13,5 t=1
20	EL0003905	Hexagon nut DIN 934 M4 V2A
21	EL0782599	Tube sprinkler d2k 623 03
22	EL0782769	Tension spring 623 03
23	EL0565482	Countersunk screw DIN 965 M5X25 V2A
24	EL0252867	Hexagon nut DIN 934 M5 V2A
25	EL0782637	Cable roll with bracket 623 03
25.1	EL0782629	Countersunk screw DIN 7991 M6X35 V2A
25.2	EL0782602	Bracket d2k 623 03
25.3	EL0782580	Bush for cable roll d2k 623 03
25.4	EL0782645	Guide roller D=30 d2k 623 03
26	EL0004014	Washer DIN 125 A6,4 V2A
27	EL0782572	Guide roller D=50 d2k 623 03
28	EL0782580	Bush for cable roll d2k 623 03
29	EL0784583	Locking plate 623 03
30	EL0892912	Lock washer DIN 6797 J6,4 V2A
31	EL0251887	Hexagon nut DIN 934 M6 V2A
32	EL0082155	Washer DIN 9021 5,3 V2A
33	EL0304816	Lock washer DIN 6797 J5,3 V2A
34	EL0189405	Lens head screw DIN 7985 M5x10 V2A
35	EL0895563	Gasket shower head
36	EL0783404	Handle piece with check valve
36.1	EL0893102	Rebound valve
37	EL0787205	Buffer
38	EL0501224	Siphon 07 623
39	EL0593311	Silicon hose D6X3 transparent
40	<a href="#">EL0277665</a>	Hose clip 9-14
41	EL0000582	Washer DIN 9021 6,4 V2A
42	EL0268666	Gasket - thermostat probe 3x1,5x6
43	EL0759864	Fitting
44	EL0570621	NiCrNi sensor
45	EL0693421	Sealing
46	EL0782734	Turntable 623 03
47	EL0785113	Bend protection D12x20,5
48	EL0873322	Fastening clamp
49	<a href="#">EL0501738</a>	Gasket 24x12x5
50	<a href="#">EL0754943</a>	Reducer
51	<a href="#">EL0506335</a>	Valve support 07 0623
52	EL0769975	Valve support 06
53	<a href="#">EL0506846</a>	Reducing nipple
54	<a href="#">EL0786675</a>	Loctite 5331 sealing material
55	EL0504424	Plug

Compact 6-23 T  
 Assembly autoclean



## Compact 6-23

1	EL0774588	Gear motor Autoclean 230V
2	EL0775177	VBG axle hub Autoclean
2.1	EL0753742	O-Ring 23,4x3,53 viton
2.2	EL0584339	Shim ring DIN 988 14x20x0,5 V2A
2.3	EL0581011	Retaining ring DIN 471 14X1 V2A
2.4	EL0588512	Threaded pin DIN 914 M4x10
3	EL0501217	Nozzle pipe 07 623
4	EL0502027	Nozzle autoclean 2/3
5	EL0753785	Threaded pin DIN 913 M8x8 V2A
6	EL0752746	Disk nut M5 V2A
7	EL0507451	Case AC (ET)
8	EL0035637	Hexagon nut R 1/4 SW 19X6
9	EL0501148	Water pipe Autoclean 07 623
10	<a href="#">EL0756040</a>	Hose clamp 25
11	EL0753661	Tube 13x5 blue
12	<a href="#">EL0572160</a>	Hose clip NS 22
13	EL0753734	Tube 10x5 blue
14	EL0501407	Assembly swinging piston pump ul
15	EL0753440	Splash guard Autoclean
16	EL0753424	Collecting pan Autoclean
17	EL0593303	Silicon hose D9X3 transparent
18	EL0504724	Tube-aerator with reflux R1/2"1/2" (ET)
19	EL0001007	Washer DIN 125 A4,3 V2A
20	EL0050849	Lock washer DIN 6797 J4,3 V2A
21	<a href="#">EL0010502</a>	Lens head screw DIN 7985 M4x10 V2A
22	EL0756296	Accessoires canister red + blue
23	EL0276634	Hose clip 14-19
24	EL0756024	Y-shaped tube connecting 10mm
25	EL0504714	Autoclean blindly (ET)
26	<a href="#">EL0175781</a>	Hose D6X3mm PVC
27	<a href="#">EL0277665</a>	Hose clip 9-14
28	EL0501244	Fitting Autoclean
29	EL0570583	Hexagon nut 1/8"
30	EL0371327	Loctite 542 sealing material
31	EL0872849	Silicone Novasil S 25 80 ml
32	EL0043621	Countersunk screw DIN 965 M4X8 V2A



99	EL0501487	Connection cable 07 623 UL
99	EL0501023	Cable harness controls 07 623 Joker-T
99	EL0526789	Cable lighting
99	EL0567132	Cable door contact EB 30 d2k 623
99	EL0976512	Cable connection HACCP RSFBK 9-pol 1100mm
99	EL0501008	Cable 40 pole Display
99	EL0501007	Cabel Display lighting
99	EL0501146	Insulation 07 623
99	EL0593567	Loctite 511 sealing material
99	EL0371327	Loctite 542 sealing material
99	<a href="#">EL0786675</a>	Loctite 5331 sealing material
99	EL0872849	Silicon adhesives Novasil S25 cartridge 80ml
99	ELE910207	Connection diagram Joker 07 623





501305  
Vers. 1.1

29.02.2008  
31.05.10

pl  
Technische Änderungen vorbehalten !