

# ROLL IN 1600 LT

## Refrigerator

<i>Code</i>	<i>Avv</i>	<i>Model and Type</i>	<i>Ref.</i>	<i>Brand</i>	<i>Page</i>
726496	11	RI16R1F	ROLL-IN DIGIT.REFRIGER. 1 DOOR 1600L +2°	a	To brand 2-4
726374	12/out	RI016RE1F	ROLL-IN AOS SMART 1DOOR 1600L+2/+10°C	b	To brand 2-4
726378	11	RI17RE1FU	ROLL-IN AOS SMART 1DOOR 1725L 0/+10°C-US	c	To brand 2-4
726869	12	RI16R1G	ROLL-IN REFRIGER 1 GLASS DOOR 1600 LT+2°	d	To brand 2-4
726498	13	RI16R2FGT	ROLL-THRU REFRIG.1+1GLASS DOOR 1600LT+2°	e	To brand 3-4
726497	14	RI16R2FT	ROLL-THRU REFRIGERATOR 2 DOORS 1600 L+2°	f	To brand 3-4
726375	09/out	RI16RE1FR	ROLL-IN AOS SMART 1DOOR 1600L+2/+10° REM	g	To brand 2-5
727028	11	RI17RE1FPU	ROLL-THRU AOS SMART 1DR 1725L 0/+10°-US	h	To brand 2-4
727026	06	RI17RE1FRU	ROLL-IN AOS SMART 1D 1725L 0/+10°-REM-US	i	To brand 2-5
727027	10	RI17R1FRPU	ROLL-THRU AOS 1DOOR 1725L 0/+10°-REM-US	l	To brand 3-5
727028	11	RI17RE1FPU	ROLL-THRU AOS SMART 1DR 1725L 0/+10°-US	m	To brand 3-4
726065	01	RI16R1FR	ROLL-IN DIGIT.REFRIGER. 1 DOOR 1600L +2° REM	n	To brand 2-5

**NOTE****Pag./Page Indice**

2,3,4,5

Esploso

6,7,8

Lista ricambi

**Index**

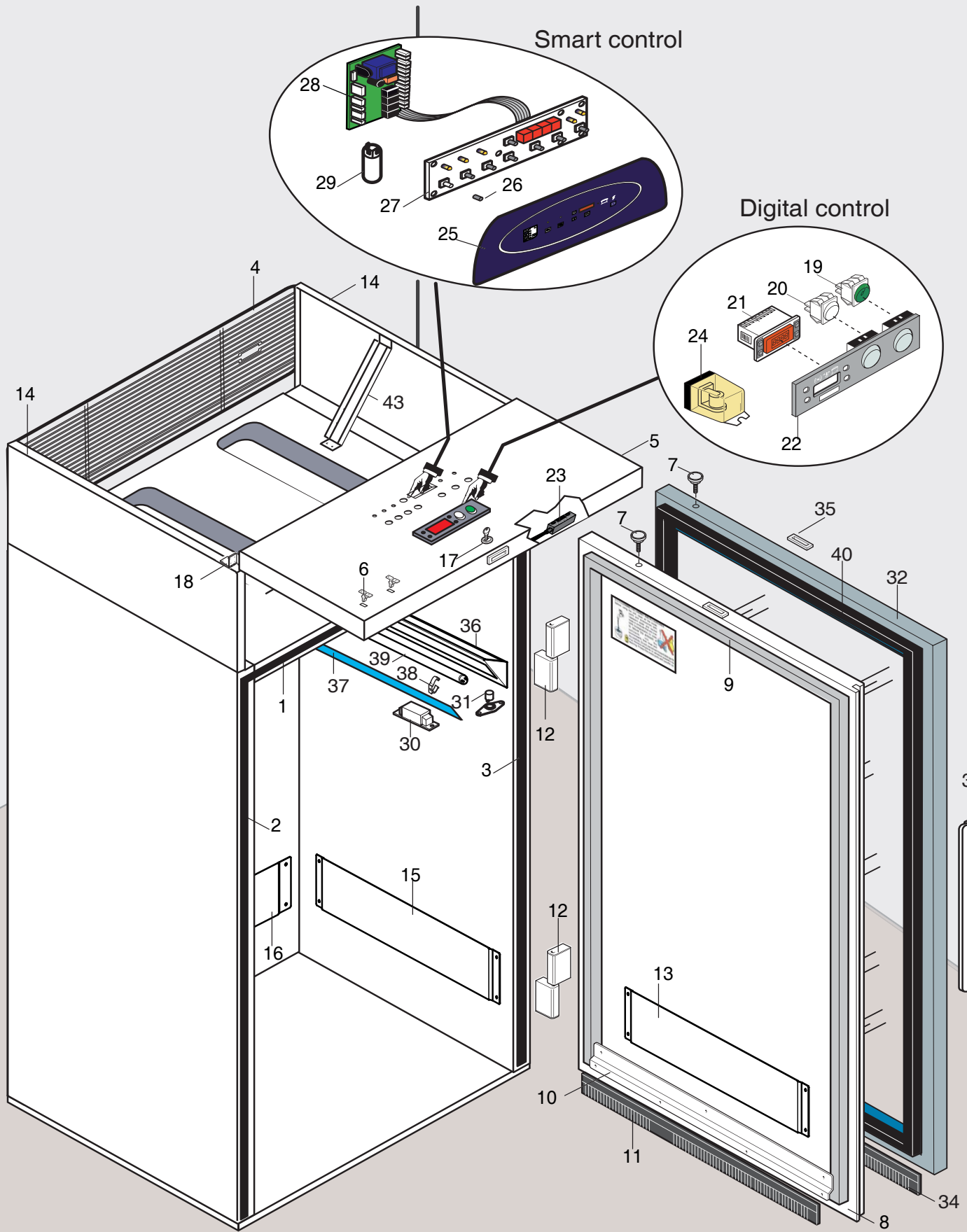
Exploded view

Spare parts list

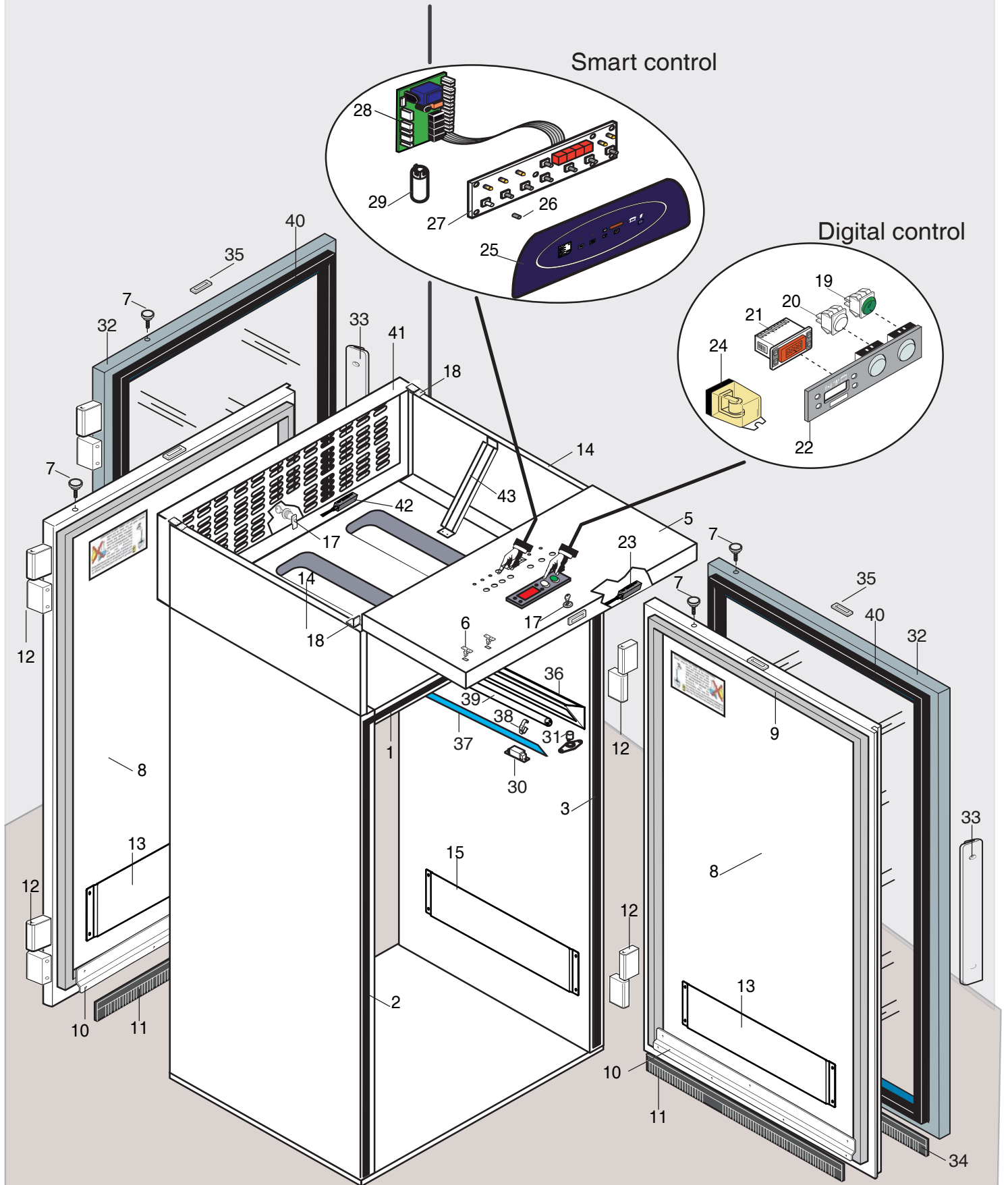
Marchio / Brand: **Electrolux**

Paese / Country: Tutti / All

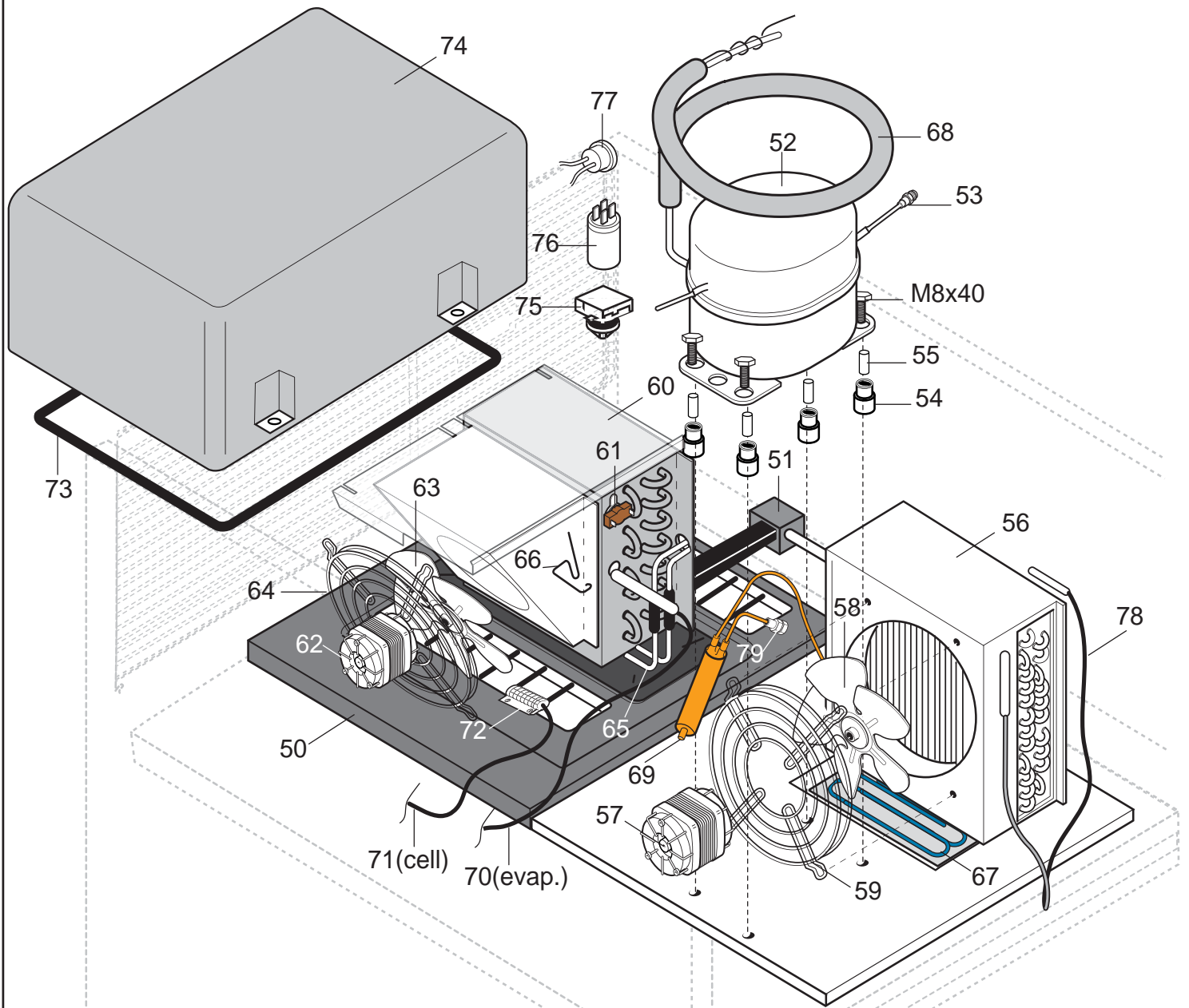
# ONE DOOR



# ROLL-THRU



# REFRIGERANT UNIT





PNC	REF	PNC	REF	PNC	REF	PNC	REF	PNC	REF	PNC	REF	PNC	REF
726496	a	727028	h										
726374	b	727026	i										
726378	c	727027	l										
726869	d	727028	m										
726498	e												
726497	f												
726375	g												

Pos	Code	Descrizione	Description	Ref. / Notes
		<b>PAGINA 2-3-4-5</b>	<b>PAGE 2-3-4-5</b>	
1	091439	Riscontro orizzontale	Horizontal frame	
2	091440	Riscontro verticale sx	Left vertical frame	
3	091441	Riscontro verticale dx	Right Vertical frame	
4	091442	Griglia posteriore gruppo	Back panel on cooling unit	a,b,c,d,f,g,h,i,n
5	091492	Cruscotto senza componenti	Comand panel without component	a,d,e,f <i>until ser.N°91000.. (id974)</i>
5	<b>805775802</b>	Cruscotto senza componenti	Comand panel without component	a,d,e,f,n <i>from ser.N°91100.. (IR33)</i>
5	091493	Cruscotto senza componenti	Comand panel without component	b,c,g,h,i,m
6	053342	Molla arresto marchio	Brand retaining spring	
7	087829	Magnete porta	Door magnet	
*	091446	Porta completa di componenti	Door with component	a,b,c,e,f,g,h,i,l,m,n (delivery with compon.)
8	091447	Porta senza componenti	Door without component	
9	091043	Guarnizione magnetica porta	Magnet door gasket	
10	091448	Supporto guarnizione	Low Gasket support	
11	084891	Guarnizione inferiore	Low Gasket	
12	0A9531	Cerniera Mod.466/Ve DX	Hinge mod 466/ve Right	
13	091449	Paracolpi per porta	Door bumper	
14	091450	Fianchetto superiore per gruppo	Upper side to cooling unit	
15	091451	Paracolpi per fianchi cella	Side bumper cell	
16	091452	Paracolpi per schienale cella	Back side bumper cell	
17	081694	Serratura con chiavi	Lock with key	
18	099853	Cerniera cruscotto	Comand panel hinge	
19	099274	Interuttore luminoso verde	Switch with green light	a,d,e,f,n
20	099275	Deviatore luminoso bianco	Switch with white light	a,f,n
20	099387	Deviatore luminoso giallo	Switch with yellow light	d,e
21	091304	Termoregolatore ID974	Thermoregulator ID974	a,d,e,f <i>(to be setted) until ser.N°91000..</i>
21	092235	Termoregolatore carel IR33	Thermoregulator carel IR33	a,d,e,f,n <i>(to be setted) from ser.N°91100</i>
22	091494	Mascherina senza tasti	Cover without switch	a,d,e,f <i>until ser.N°91000.. (id974)</i>
22	092834	Mascherina senza tasti	Cover without switch	a,d,e,f,n <i>from ser.N°91100.. (IR33)</i>
*	091453	Mascherina comandi completa	Cover comand complete	a,f <i>until ser.N°91000..(id974)</i>
*	<b>855R07701</b>	Mascherina comandi completa	Cover comand complete	a,f,n <i>from ser.N°91100.. (IR33)</i>
*	091506	Mascherina comandi completa	Cover comand complete	d,e <i>until ser.N°91000..(id974)</i>
*	<b>855R07901</b>	Mascherina comandi completa	Cover comand complete	d,e <i>from ser.N°91100.. (IR33)</i>
23	083881	Micro magnetico porta	Magnetic swithch door	a,b,e,f,n
23	049621	Micro magnetico porta	Magnetic swithch door	c,g,h,i,l,m
24	0A9596	Relè sharack RM 205.730 16 A	Relay sharack RM 205.730 16 A	
25	091454	Mascherina adesiva	Stiker control	b,g
25	090200	Mascherina adesiva	Stiker control	c,h,i,l,m
26	099578	Distanziale scheda	Main spacer	b,c,g,h,i,l,m
27	087481	Scheda pulsanti	User board	b,c,g,h,i,l,m
28	<b>092562</b>	Sheda principale 230V	Main board 230V	b,g <i>(to be setted)</i>
28	<b>092540</b>	Sheda principale 120V	Main board	c,h,i,l,m <i>(to be setted)</i>
29	048726	Filtro antidisturbo	Electric protection filter	b,e,d,g
30	082977	Reattore 20W 230V	Ballast 20W 230V 120V	d,e
31	031523	Starter 4-65W	Starter 4-65W	d,e
32	091474	Ass, porta vetro dx	Glass door assembly right	d
33	087834	Maniglia per porta vetro	Glass door handle	d,e
34	091475	Guarnizione inferiore porta vetro	Lower gasket for glass door	d,e
35	083702	Particolare per serratura	Lock support	d,e,g,h,i,l,m
36	091476	Kit completo illuminazione	Light kit complete	d,e
37	091477	Schermo lampada	Screen light	d,e
38	084384	Molle per neon	Neon spring	d,e
39	0A9537	Neon 18 W	Neon 18w	d,e
40	091472	Guarnizione magnetic. (cisa plast)	Door gasket by (cisa plast)	d,e (910x1861 black)

PNC	REF	PNC	REF	PNC	REF	PNC	REF	PNC	REF	PNC	REF	PNC	REF
726496	a	727028	h										
726374	b	727026	i										
726378	c	727027	l										
726869	d	727028	m										
726498	e	726065	n										
726497	f												
726375	g												

Pos	Code	Descrizione	Description	Ref. / Notes
41	091478	Falso cruscotto posteriore	Back panel	e,f
41	091489	Falso cruscotto posteriore	Back panel	h,l,m
42	083862	Micro porta posteriore	Back door swicth	e,f
42	049621	Micro porta posteriore	Back door swicth	h,l,m
43	091487	Traversa fianchetti	Upper side support	
50	099763	Supporto evaporatore	Evaporator support	
51	091455	Tubo per scarico condensa	Discharge water condenser pipe	
52	083728	Compressore GP14TB61	Compressor GP14TB61	a,b,d,e,f
52	091456	Compressore GP14TE 60hz	Compressor GP14TE 60 hz	c,h,m
53	0A8171	Valvola di ricarica per compr.	Discharge/charge valve to compr.	a,b,c,d,e,f,h,m
54	099872	Ammortizzatore per compressore	Compressor rubber support	a,b,c,d,e,f,h,m
55	099868	Boccola per supp.compressore	Compressor bush support	a,b,c,d,e,f,h,m
56	0A9669	Condensatore	Condenser	a,b,c,d,e,f,h,m
57	0A8419	Ventilatore condensatore	Condenser motor ventilator	a,b,d,e,f
57	099873	Ventilatore condensatore	Condenser motor ventilator	c,h,m
58	089697	Ventola per ventilatore condensat.	Condenser fan	a,b,c,d,e,f,h,m
59	083157	Protezione ventola	Fan protection	a,b,d,e,f
59	089755	Protezione ventola	Fan protection	c,h,m
60	0A9672	Evaporatore	Evaporator	
61	087856	Termostato di sicurezza	Safety thermostat 40°+30°	a,b,d,e,f,g,n
61	090105	Termostato di sicurezza	Safety thermostat	c,h,i,l,m
62	087709	Ventilatore evaporatore	Evaporator ventilator	a,b,d,e,f,g,n
62	099873	Ventilatore evaporatore	Evaporator ventilator	c,h,i,l,m
63	089697	Ventola evaporatore	Evaporator fan	
64	089755	Protezione ventola evaporatore	Evaporator protection fan	
65	<b>091457</b>	Resistenza di sbrinamento	Defrost heating element 1000W	a,b,d,e,f,g,n (220 V)
65	091458	Resistenza di sbrinamento	Defrost heating element 1000W	c,h,i,l,m (120V)
66	092690	Molla per fissaggio resistenza	Heating element retainig spring	
66	089771	Molla per fissaggio resistenza	Heating element retainig spring	g,i,l,n
67	091209	Serpentina di evaporaz. condensa	Evaporation pipe water condenser	
68	091459	Scambiatore piegato con capillare	Heating exchanger with capillary	a,b,c,d,e,f,h,m
69	084078	Filtro deidratore	Dehidrator filter	a,b,d,e,f
69	083854	Filtro deidratore	Dehidrator filter	c,h,m
70	<b>092179</b>	Sonda evaporatore verde dig,	Evaporator probe dig, green	a,d,e,f,n
70	<b>092186</b>	Sonda evaporatore smart verde	Evaporator probe smart green	g,i,l,b,c,h,m
71	<b>092174</b>	Sonda cella dig,blu	Cell probe dig,blue	a,d,e,f
71	<b>092177</b>	Sonda cella blu smart	Cell probe blue smart	b,c,i,h,l,m
72	088602	Gabbietta per sonda	Probe container	
73	0KX010	Guarnizione campana	Cover gasket	
74	099227	Campana evaporatore	Evaporator cover	
75	081873	Relè per compressore GP14TB61	Compressor relay GP14TB61	a,b,d,e,f
75	084700	Relè per compressore GP14TE	Compressor relay GP14TE	c,h,m mod. 9660A184
76	083166	Condensatore per comp.GP14TB61	Capacitor GP14TB61	a,b,d,e,f
76	082640	Condensatore per comp.GP14TE	Capacitor GP14TE	c,h,m Mod. micfarad/V 170/130
77	083165	Protettore per comp.GP14TB61	Thermic protection GP14TB61	a,b,d,e,f
77	*	Protettore per comp.GP14TE	Thermic protection GP14TE	c,h,m mod . MRT00AHN
78	<b>092188</b>	Sonda condensatore ambiente	Condenser/ambient room probe	b,c,h,m
79	099869	Tappo fusibile filtro	Safety fuse to high pressure	c,h,m
90	091483	Protezione fondo x bacinella	Basin bottom protection	g,i,l,n
91	091488	Griglia protezione resistenza	Heating elemrent protection	g,i,l,n
92	087426	Resistenza evaporazi.160W 230V	Heating element H20 160W 230V	g,n
92	<b>617R01700</b>	Resistenza evaporazi.160W 120V	Heating element H20 160W 120V	i,l
93	087335	Evaporatore	Evapoartor	g,i,l,n
94	087333	Valvola temostatica TUB -40/+10	Thermostatic valve TUB -40/+10	g,i,l,n
95	089614	Isolante per valvola termostatica	Thermostatic valve insulation	g,i,l,n
96	090230	Elettrovalvola	Body valve	g,n

\* Componenti disponibili a richiesta

\* Component available upon request

PNC	REF	PNC	REF	PNC	REF	PNC	REF	PNC	REF	PNC	REF	PNC	REF
726496	a	727028	h										
726374	b	727026	i										
726378	c	727027	l										
726869	d	727028	m										
726498	e	726065	n										
726497	f												
726375	g												

Pos	Code	Descrizione	Description	Ref. / Notes
97	083386	Bobina	Coil	g,n