

4 FUOCHI SU FORNO GAS
4 GAS BURNERS ON GAS OVEN

PNC	Model	Ref.	Page	Note
162301	BCF/G2	-	1...5	4 GAS BURNERS ON GAS OVEN

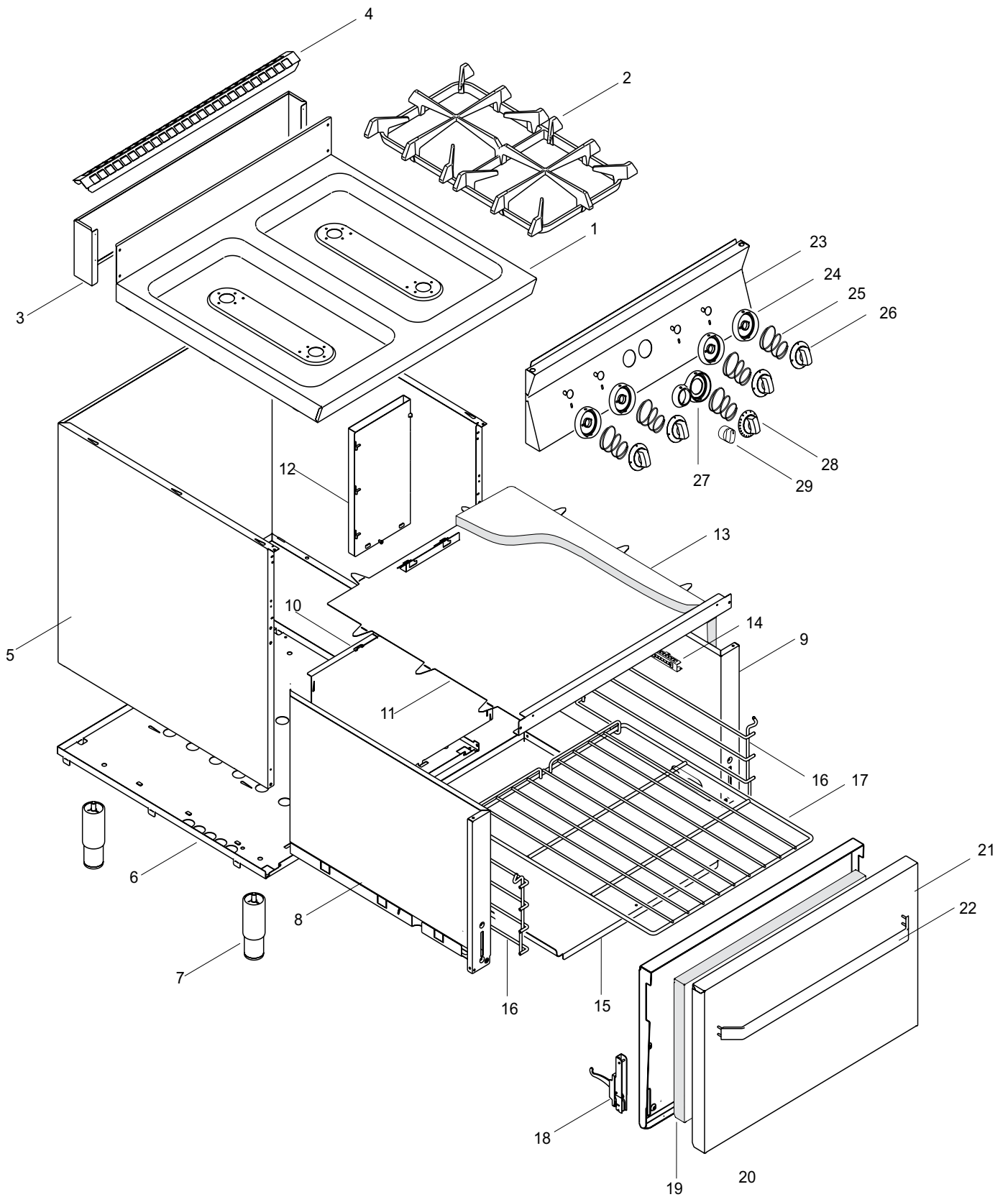
Pag. 1
2
3-5

Indice

Mobile e componenti
Impianto gas
Lista ricambi

Index

Structure and components
Gas components
Spare parts list



4 FUOCHI SU FORNO GAS
4 GAS BURNERS ON GAS OVEN

Da Ser. Nr. / From ser. nr.: 917.....

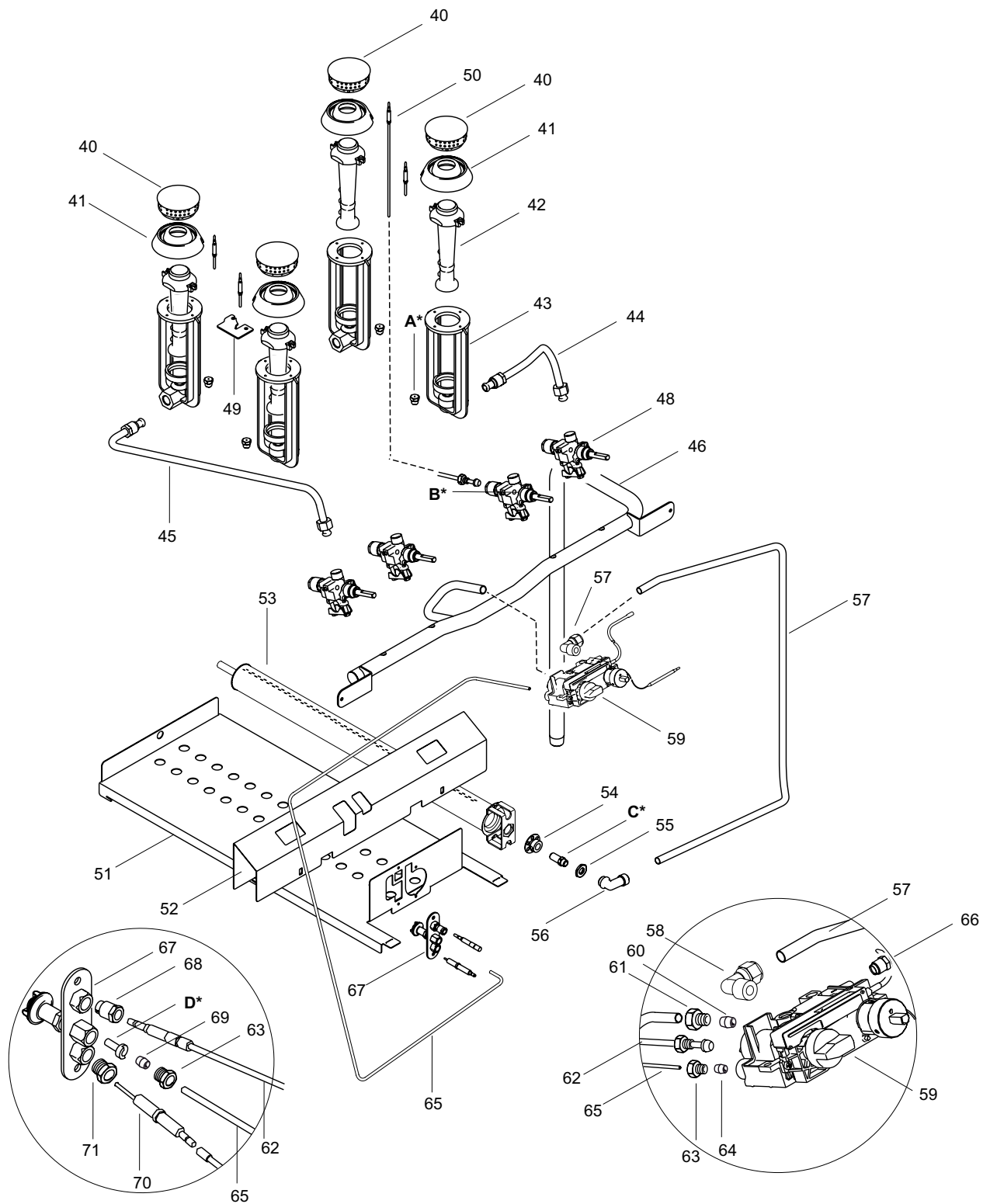
Page: 2

Ed.2015 11

Doc. Nr.:

597851900

(2- 06005)



4 FUOCHI SU FORNO GAS
4 GAS BURNERS ON GAS OVEN

Da Ser. Nr. / From ser. nr.: 917....

Page: 3

Ed.2015 11

Doc. Nr.:

597851900

(2- 06005)

A - Ugello bruciatore / Burner nozzle ø60			
6DGT Code	Ref. / Notes		
0C2809	ø1.85	2H/2E+	G20 20mbar
0C2808	ø1.75	2H	G20 25mbar
0C2806	ø1.85/2.10	2ELL	G25 20mbar
0C2805	ø1.75/2.10	2L	G25 25mbar
059314	ø1.15	3+3B/P	G30 30mbar
0A2076	ø1.10	3B/P	G30 36mbar
0C2807	ø1.10	3B/P	G30 50mbar
0C2805	ø1.75/2.10	2S	G25.1 25mbar
0A2102	ø2	No CE	G20 10mbar
0C5475	ø3.50	1a	G110
0C3658	ø3.30	1b	G120

B - Vite di minimo / Min screw ø60			
6DGT Code	Ref./ Notes		
056743	n°80	2H/2E+	G20 20mbar
056743	n°80	2H	G20 25mbar
056743	n°80	2ELL	G25 20mbar
056743	n°80	2L	G25 25mbar
004260	n°55	3+3B/P	G30 30mbar
004260	n°55	3B/P	G30 36mbar
0335243200	n°50	3B/P	G30 50mbar
056743	n°80	2S	G25.1 25mbar
056743	n°80	No CE	G20 10mbar
-	adj	1a	G110
-	adj	1b	G120

C- Ugello bruciatore forno / Burner nozzle oven			
6DGT Code	Ref. / Notes		
0C0509	ø1.85	2H/2E+	G20 20mbar
003723	ø1.75	2H	G20 25mbar
056147	ø2.10	2ELL	G25 20mbar
0C2811	ø2	2L	G25 25mbar
059804	ø1.25	3+3B/P	G30 30mbar
0C2810	ø1.20	3B/P	G30 37mbar
054082	ø1.10	3B/P	G30 50mbar
0C2811	ø2	2S	G25.1 25mbar
056147	ø2.10	AU	G20 10mbar
055133	ø3.80	1a	G110 8mbar
054128	ø3.40	1b	G120 8mbar

D - Ugello pilota forno / Pilot nozzle oven			
6DGT Code	Ref./ Notes		
053670	n°41	2H/2E+	G20 20mbar
053670	n°41	2H	G20 25mbar
053670	n°41	2ELL	G25 20mbar
053670	n°41	2L	G25 25mbar
054593	n°25	3+3B/P	G30 30mbar
054593	n°25	3B/P	G30 36mbar
054593	n°25	3B/P	G30 50mbar
053670	n°41	2S	G25.1 25mbar
053670	n°41	No CE	G20 10mbar
053669	n°75	1a	G110 8mbar
053669	n°75	1b	G120 8mbar

**4 FUOCHI SU FORNO GAS
4 GAS BURNERS ON GAS OVEN**

PNC	Model	Ref.	Note
162301	BCF/G2	-	4 GAS BURNERS ON GAS OVEN

Pos	Factory Code	6 Dgt Code	Descrizione	Description	Ref. / Notes
			Pagina 2	Page 2	
1	0509804901	0C5910	RIPIANO	WORKTOP	
2	0510827800	0C5914	GRIGLIA BIFUOCO	CAST IRON PAN SUPPORT	
3	0530891200	0C5959	SCHIENALE	BACK PANEL	
4	0532885500	0C5922	GRIGLIA CAMINO	CHIMNEY GRID	
5	0530894700	*	RIVESTIMENTO LATERALE	EXTERNAL PANEL	
6	0532886100	*	FONDO	BOTTOM	
7	0835875200	0C5877	PIEDINO	FOOT	
8	0538853300	*	FIANCO SINISTRO CELLA FORNO	LEFT SIDE PANEL, OVEN CELL	
9	0538853500	*	FIANCO DESTRO CELLA FORNO	RIGHT SIDE PANEL, OVEN CELL	
10	0538853200	*	SCHIENALE FORNO	BACK SIDE PANEL, OVEN CELL	
11	0533895400	*	CIELO FORNO	TOP PANEL, OVEN CELL	
12	0532889100	*	CAMINO FORNO	OVEN CHIMNEY	
13	0569807401	*	ISOLAMENTO FORNO	INSULATION, OVEN	
14	0538831100	*	SUPPORTO PROTEZIONE BULBO	PROTECTION PROBE GRID	
15	0831856200	0C6104	SUOLA FORNO	SOLE PLATE	
16	0831856300	0C5391	GUIDA TEGLIE	RUNNER FOR PAN	
17	0330260842	025020	GRIGLIA FORNO	GRATE, OVEN	
18	0835826301	059227	CERNIERA	DOOR HINGE	
19	0538831300	0C5924	CONTROPORTA FORNO	INNER DOOR	
20	0560857000	*	ISOLAMENTO PORTA FORNO	INSULATION OVEN DOOR	
21	0532886200	0C5923	PORTA FORNO	OVEN DOOR	
22	0512824000	0C5915	MANIGLIA FORNO	HANDLE, OVEN	
23	0530892501	0C5918	CRUSCOTTO	CONTROL PANEL	
24	0548873800	0C5868	GHIERA	KNOB RING, GAS TAP	
25	0511831300	0C5856	MOLLA PER MANOPOLA	KNOB SPRING	
26	0548875100	0C5926	MANOPOLA RUBINETTO GAS	KNOB, GAS TAP	
27	0548873700	0C5890	GHIERA MERTIK	KNOB RING, GAS VALVE OVEN	
28	0548875600	0C5927	MANOPOLA FORNO GAS	KNOB, GAS VALVE THERMOSTAT	
29	0548874300	0C5869	MANOPOLA ACCENDITORE VALVOLA	KNOB, GAS VALVE IGNITER	
			Pagina 3	Page 3	
40	0510819501	0C0129	SPARTIFIAMMA FUOCHI	FLAME SPREADER	

**4 FUOCHI SU FORNO GAS
4 GAS BURNERS ON GAS OVEN**

PNC	Model	Ref.	Note
162301	BCF/G2	-	4 GAS BURNERS ON GAS OVEN

Pos	Factory Code	6 Dgt Code	Descrizione	Description	Ref. / Notes
41	0510827600	0C5474	CORPO BRUCIATORE	BURNER	
42	0510819103	0C0125	VENTURI	VENTURI, BURNER	
43	0510819004	0C0124	SUPPORTO VENTURI	HOLDER FOR VENTURI	
44	0835868100	0C2799	CONDUTTURA ANTERIORE	FRONTAL BURNER PIPE	
45	0835868200	0C2800	CONDUTTURA POSTERIORE	REAR BURNER PIPE	
46	0856833700	0C5933	RIBALTA	MANIFOLD	
47	0246519800	0C2356	TAPPO PER RIBALTA 1/2'	STOPPER FOR MANIFOLD	
48	0835871400	0C5480	RUBINETTO	GAS TAP	
49	0538827700	0C5492	PIASTRINA FISSAGGIO TERMOCOPPIA	THERMOCOUPLE SUPPORT	
50	0830852802	058332	TERMOCOPPIA	THERMOCOUPLE	
51	0533893800	*	SUPPORTO BRUCIATORE	BURNER SUPPORT	
52	0538831200	*	CARTER BRUCIATORE FORNO	CASE, OVEN BURNER	
53	0831823400	0C3584	BRUCIATORE FORNO	OVEN BURNER	
54	0830827102	054085	AREATORE	AREATOR	
55	0214105101	020997	CONTRODADO PORTAUGELLO	LOCK NUT	
56	0511805401	059250	PORTAUGELLO	INJECTOR HOLDER	
57	0513808800	0C5916	CONDUTTURA BRUCIATORE	GAS PIPE OVEN BURNER	
58	0A05173300	0A2136	RACCORDO D'ESTREMITA	CONNECTION	
59	0835859301	0C5247	VALVOLA GAS	GAS VALVE	
60	0215170716	050682	OGIVA DA 12	DOUBLECONE	
61	0514862501	051950	RACCORDO 3/8 PER VALVOLA	CONNECTION 3/8 FOR GAS VALVE	
62	0830852501	020094	TERMOCOPPIA FORNO	THERMOCOUPLE, OVEN	
63	0214164400	052125	RACCORDO	CONNECTION	
64	0215199700	052127	BICONO SPEC.DA 4	DOUBLECONE	
65	0835875100	0C5931	CONDUTTURA PILOTA FORNO	PILOT PIPE, OVEN	
66	0516865800	0C0625	TAPPO 3/8' PER VALVOLA	PLUG 3/8' FOR GAS VALVE	
67	0830897501	0C0744	BRUCIATORE PILOTA	PILOT BURNER	
68	0214162000	0C0121	RACCORDO FISSAGGIO TERMOCOPPIA	CONNECTION FOR THERMOCOUPLE	
69	0517808700	059161	BICONO DIA.4	DOUBLECONE	
70	0830863300	059380	ELETTRODO DI ACCENSIONE	IGNITER	
71	0214164101	057960	RACCORDO FISSAGGIO CANDELA	CONNECTION FOR IGNITER	