

FETCO® TBS-2121

Iced Tea Brewing System

With Sweetener Delivery

Complete Commercial Parts Listing

For FETCO® TBS-2121 and FETCO® TBS-2121-s Model Range

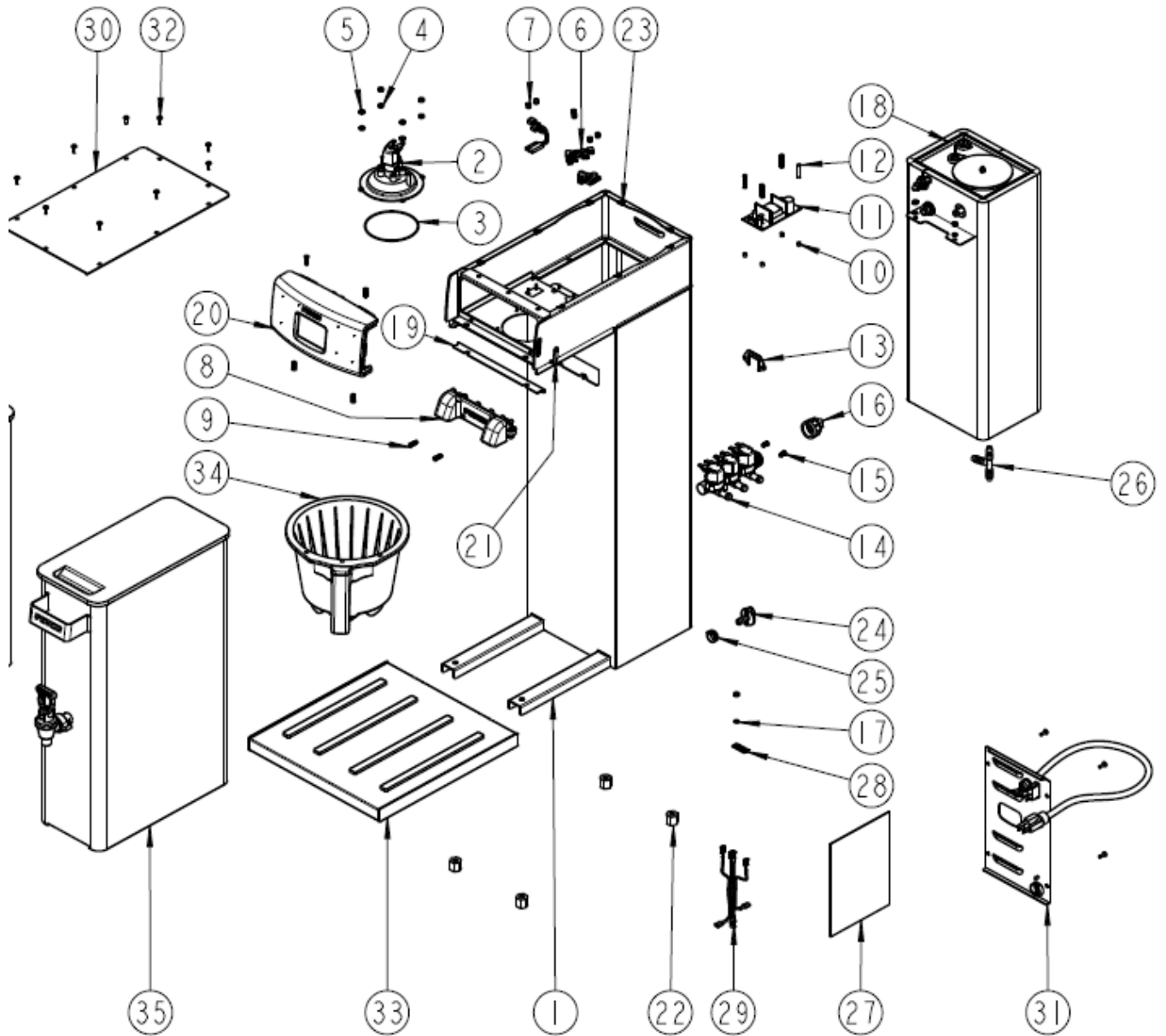
NEW June 2013

Please see our website-www.fetco.com for the most up to date listings and additional parts and service information

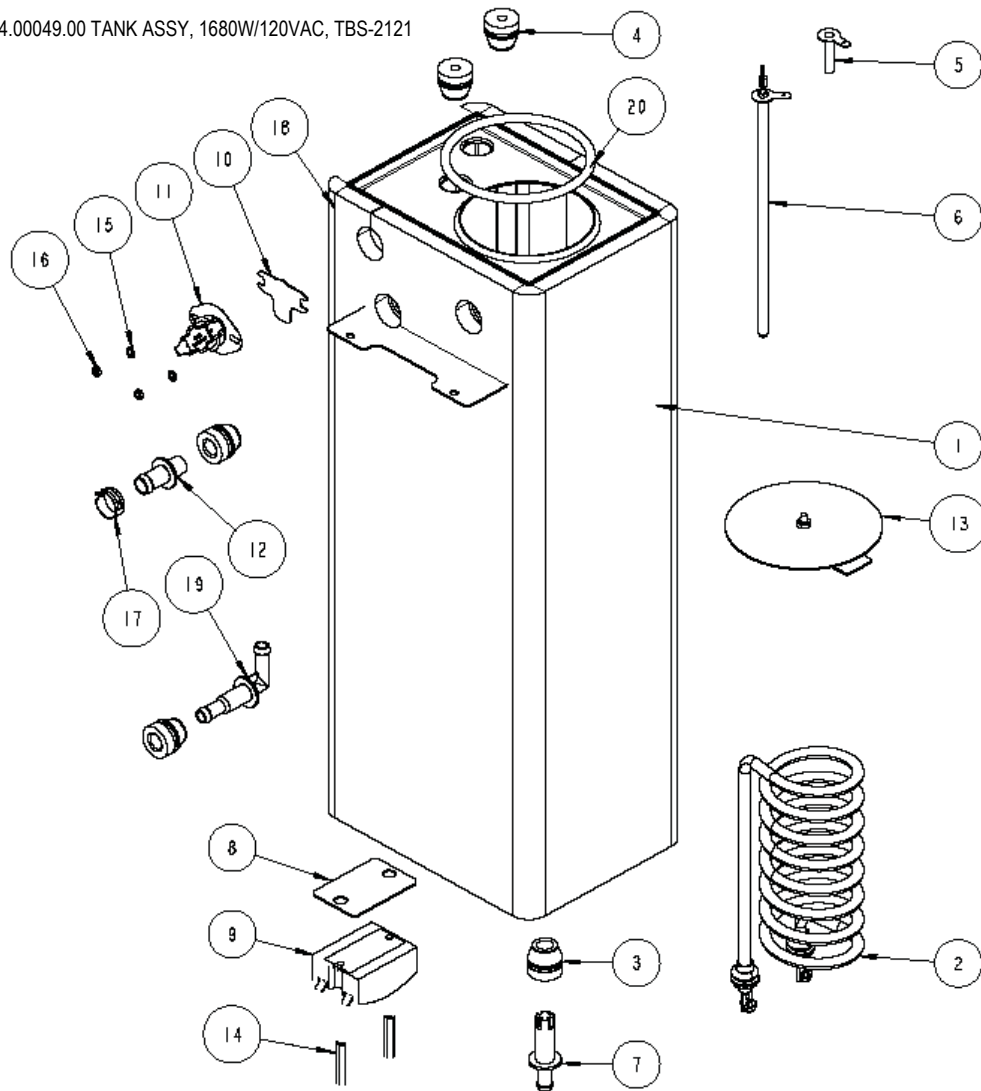
Designs, materials, specifications, physical dimensions, firmware and software protocol for equipment or replacement parts are subject to change without notice.

Parts diagrams, bill of materials lists

Drawing 1101.00142.00 TBS-2121 Assembly-No Sweetener



Drawing 1101.00142.00 TBS-2121 ASSEMBLY, NO SWEETENER, 1680 kW/120VAC			
Ref#	Qty	Part number	Description
1	1	1111.00033.00	WELDMENT, BODY TBS-2121
2	1	1102.00203.00	ASSEMBLY, SPRAY HOUSING, TBS-2121
3	1	1024.00017.00	O'RING, 3.739" ID X 0.070" CS, 70 DURO, BUNA
4	4	1083.00010.00	WASHER, #10 SCREW W/NEOPRENE-BONDED SEAL
5	7	1084.00006.00	NUT, 8-32 18-8 HEX MACHINE SCREW
6	3	1102.00113.00	SWITCH, REED, ASSEMBLY
7	6	1029.00006.00	#4-40 NYLON FINGER NUT
8	1	1102.00196.00	Faucet Dilution Assembly, TBS-2121
9	6	1082.00058.00	SCREW, # 8-32 X 5/8, FLAT HD, PH, 18-8 SS
10	4	1081.00006.00	SPACER, 6MM OD x 3.2MM ID x 5MM LG, Z/P
11	1	1052.00001.00	POWER SUPPLY, 90-264VAC/24VDC, 1.8A
12	4	1029.00012.00	SPACER, .25" HEX X 1" LG, FEM #4-40 THREAD
13	1	1074.00004.00	BRACKET FOR RPE VAVLE #1057.00048.00
14	1	1057.00048.00	VALVE, TRIPLE, RPE
15	2	1082.00010.00	SCREW, M4x10 ZINC PLATED PAN PHILLIPS MACHINE
16	1	1102.00164.00	ADAPTER ASSY, 3/4" BSP X 1/4 SAE FLARE
17	3	1083.00011.00	WASHER, #8 SCREW SIZE, INTERNAL TOOTH LOCK
18	1	1104.00049.00	TANK ASSEMBLY, 1680W/120VAC, TBS-2121
19	1	1024.00059.00	GASKET_FRONT_4A
20	1	1102.00201.00	ASSEMBLY, FRONT PANEL, TBS-2121
21	1	1024.00040.00	CARD PLUG, HWD-2100
22	4	1021.00018.00	LEG, TBS 2121
23	2	1084.00024.00	NUT, CLIP ON (J-NUT), #6-32, 18 -16 GA., BLACK-
24	1	1023.00147.00	PLUG, TANK SERVICE DRAIN FOR 18GA AND UP BODY
25	1	1086.00003.00	UNICLAMP, 15.9 HOSE OD CLAMP
26	1	1029.00002.00	FITTING, HOSE BARB TEE, SIZE 3/8" , NYLON
27	1	1401.00047.00	WIRING, TBS-2121, L1, N+GND, 1 HEATER
28	1	1044.00003.00	LABEL, GROUND
29	1	1402.00036.00	ELECTRICAL HARNESS, TBS-2121
30	1	1001.00103.00	TOP COVER, TBS-2121
31	1	1102.00199.00	ASSEMBLY, BACK COVER TBS-2121
32	13	1082.00017.00	SCREW, # 6-32 X 1/2" TRUSS HD PHIL., MACHINE
33	1	1102.00197.00	ASSEMBLY, BASE DISPENSER, TBS-2121
34	1	B013000B2	BREW BASKET ASSEMBLY, TBS-2121, BLUE HANDLE
35	2	1102.00193.00	ASSEMBLY, TEA DISPENSER 3.5 GAL
	1	1025.00071.00	TUBE, 9/16"OD X 5/16"ID X 16.75"LG
	1	1025.00070.00	TUBE, 9/16"OD X 5/16"ID X 8.25"LG
	2	1025.00068.00	TUBE, 9/16"OD X 5/16"ID X 21.75"LG
	2	1025.00067.00	TUBE, 9/16"OD X 5/16"ID X 1.25"LG
	1	1025.00061.00	TUBE, 9/16"OD X 5/16"ID X 2.75"LG
	1	1025.00051.00	TUBE, 5/8"OD X 3/8"ID X 6.44"LG
	1	1025.00006.00	TUBE, VENT SUPPORT, 5/16"OD X 3/16"X 0.5"LG
		1000.00090.00	KIT, LIQUID SWEETENER INFUSION PUMP, TBS-2121

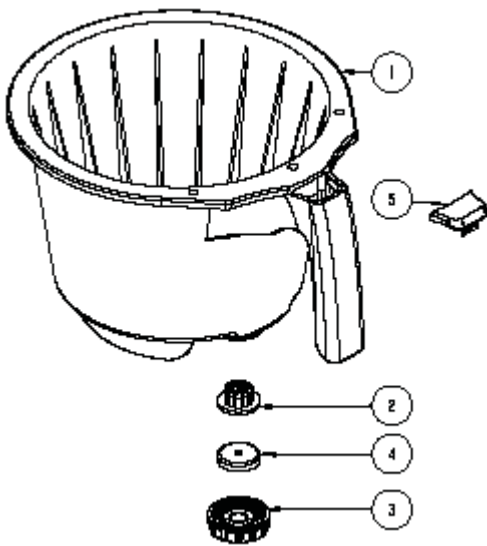


Drawing 1104.00049.00 TANK ASSY, 1680W/120VAC, TBS-2121			
Ref#	QTY	PART NO	DESCRIPTION
1	1	1114.00079.00	WELDMENT, TANK, TBS-2121
2	1	1107.00023.00	HEATER ASSY, IMMERSION, 1680W/120VAC
3	3	1024.00050.00	GROMMET, SILICONE, 11.4mm ID
4	2	1024.00062.00	GROMMET, SHORT, SILICONE, LEVEL AND TEMP PROBE
5	1	1112.00202.00	PROBE WELDMENT, WATER LEVEL 1.188" LONG
6	1	1102.00161.00	PROBE ASSEMBLY, TEMP. AND LLC, HWD-2100
7	1	1023.00166.00	FITTING, COLD WATER INLET, GROMMET DESIGN
8	1	1003.00140.00	ALUMINUM BRACKET FOR SSR
9	1	1052.00014.00	ASSEMBLY RELAY, SOLID STATE, 25A/230V
10	1	1003.00005.00	BRACKET, ONE SHOT THERMOSTAT
11	1	1053.00004.00	THERMOSTAT, SINGLE SHOT, 25A
12	1	1023.00167.00	FITTING, BREW, GROMMET DESIGN
13	1	1102.00007.00	TANK COVER ASSEMBLY
14	2	1081.00042.00	STANDOFF, 6-32 x1.25 LG., 1/4 HEX WIDTH
15	2	1083.00009.00	WASHER, #6 SCREW , INTL TOOTH LOCKWASHER
16	2	1084.00010.00	NUT, HEX, #6-32, UNDERSIZED, ZINC PLATED
17	1	1086.00003.00	UNICLAMP, 15.9 HOSE OD CLAMP
18	1	1022.00060.00	TANK INSULATION, TBS-2121
19	1	1023.00188.00	FITTING, VENT, TBS-2121
20	1	1 1024.00007.00	RING, DASH #344, TANK COVER

1102.00203.00 Spray Housing Assembly, TBS-2121

Ref.	QTY	PART NO	DESCRIPTION
1	1	1102.00020.00	SPRAY HOUSING ASSY CSD DESIGN
2	1	1024.00002.00	ORING, AS568A-019, BUNA-N
3	1	1102.00019.00	ASSEMBLY, CASCADE SPRAY DOME
4	1	1023.00189.00	ADAPTER, SPRAY HSG, DSV11 VALVE
5	2	1082.00068.00	SCREW, M3.9x13, CHEESE PH., T/FORM, Z/P
6	1	1057.00038.00	DIAPHRAGM, VALVE DSV-11
7	1	1057.00050.00	SPACER PLATE DSV11, -1 OPTION
8	1	1057.00040.00	PLUNGER, DISPENSE VALVE 24VDC
9	1	1057.00051.00	SPRING, DISPENSE VALVE 24VDC
10	1	1057.00022.00	DSV11 COIL AND FRAME ASSEMBLY, 24VDC
11	4	1082.00076.00	SCREW, #6-20 X 1/2", THRD FORM, P/H PHIL

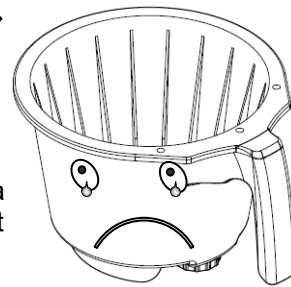
B013000B2 TBS-2121 Iced Tea Brew Basket Assembly, 16" X 6" (Three position)



Ref	Qty	Part #	DESCRIPTION
1	1	1023.00182.00	BREW BASKET, TBS-2121
2	1	1024.00060.00	SILICONE STRAINER
3	1	1023.00179.00	NUT, BREW BASKET ORIFICE HOLDER
4*	1	1023.00185.00	ORIFICE, SET OF 7, BREW BASKET TBS-2121*
5	1	1023.00180.00	BLUE, BREW BASKET HANDLE PLUG TBS-2121
5	1	1023.00190.00	RED, BREW BASKET HANDLE PLUG TBS-2121
5	1	1023.00191.00	GREEN, BREW BASKET HANDLE PLUG TBS-2121
5	1	1023.00192.00	ORANGE BREWBASKET HANDLE PLUG TBS-2121
		B013000b2	Complete TBS-2121 Brew Basket



Never strike or hit a brewbasket against any hard surface



* #4 orifice set Size	Drain time for 1 gallon hot water	
0.094	12:30	DEFAULT: Attached to brewbasket
0.062	24:30	On optional orifice selector (included)
0.078	17:30	On optional orifice selector (included)
0.086	15:30	On optional orifice selector (included)
0.104	10:30	On optional orifice selector (included)
0.125	8:10	On optional orifice selector (included)
0.28	1:20	On optional orifice selector (included)

Wiring diagrams

