

---

SPARE PARTS MANUAL

---

**Lavavasos  
Lave-verres  
Glass-washer  
Glaspülmaschinen  
Lavabicchieri  
Lavacopos**

**Models:**

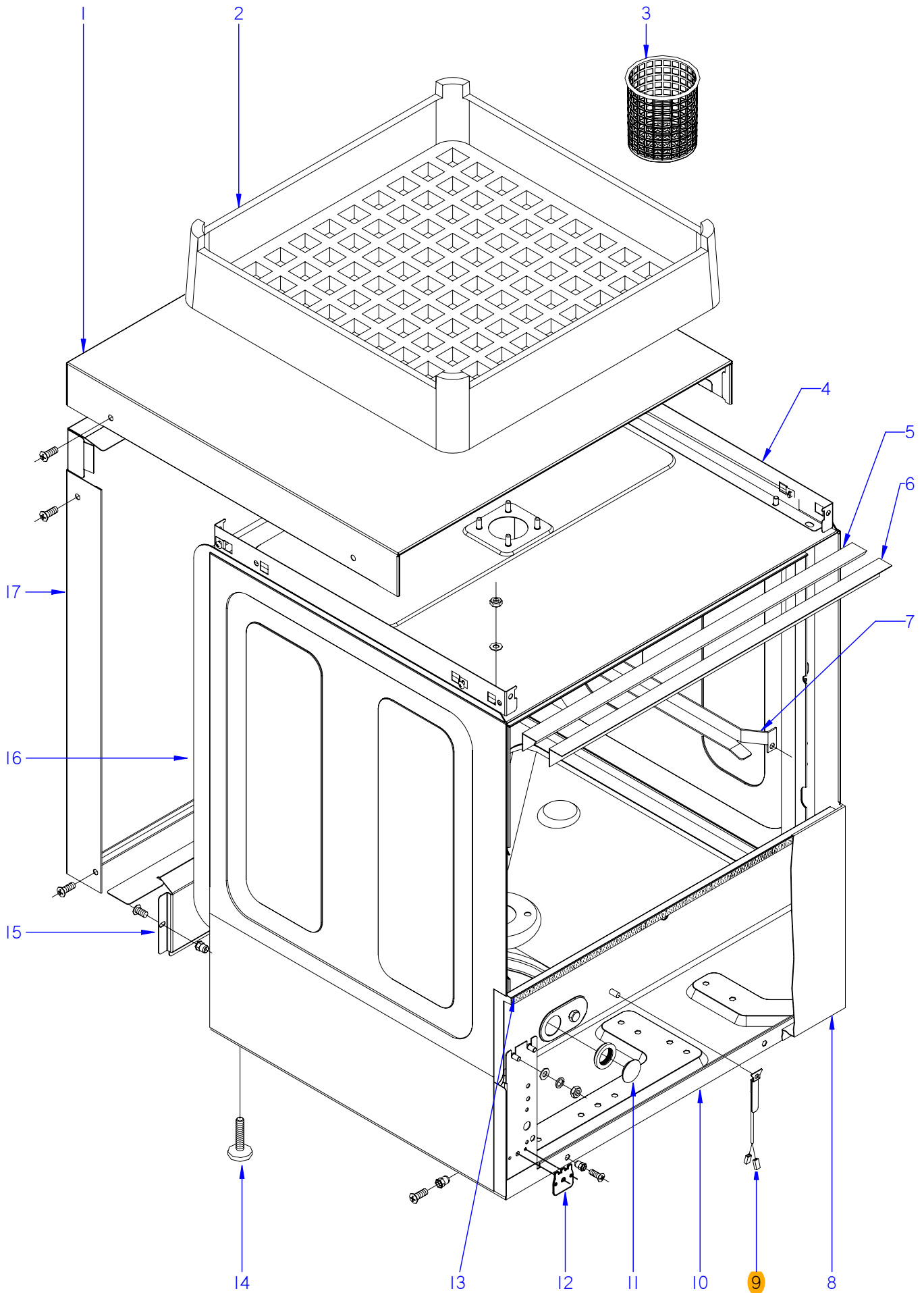
**AD-21 W**

*Junio 2011 June*



---

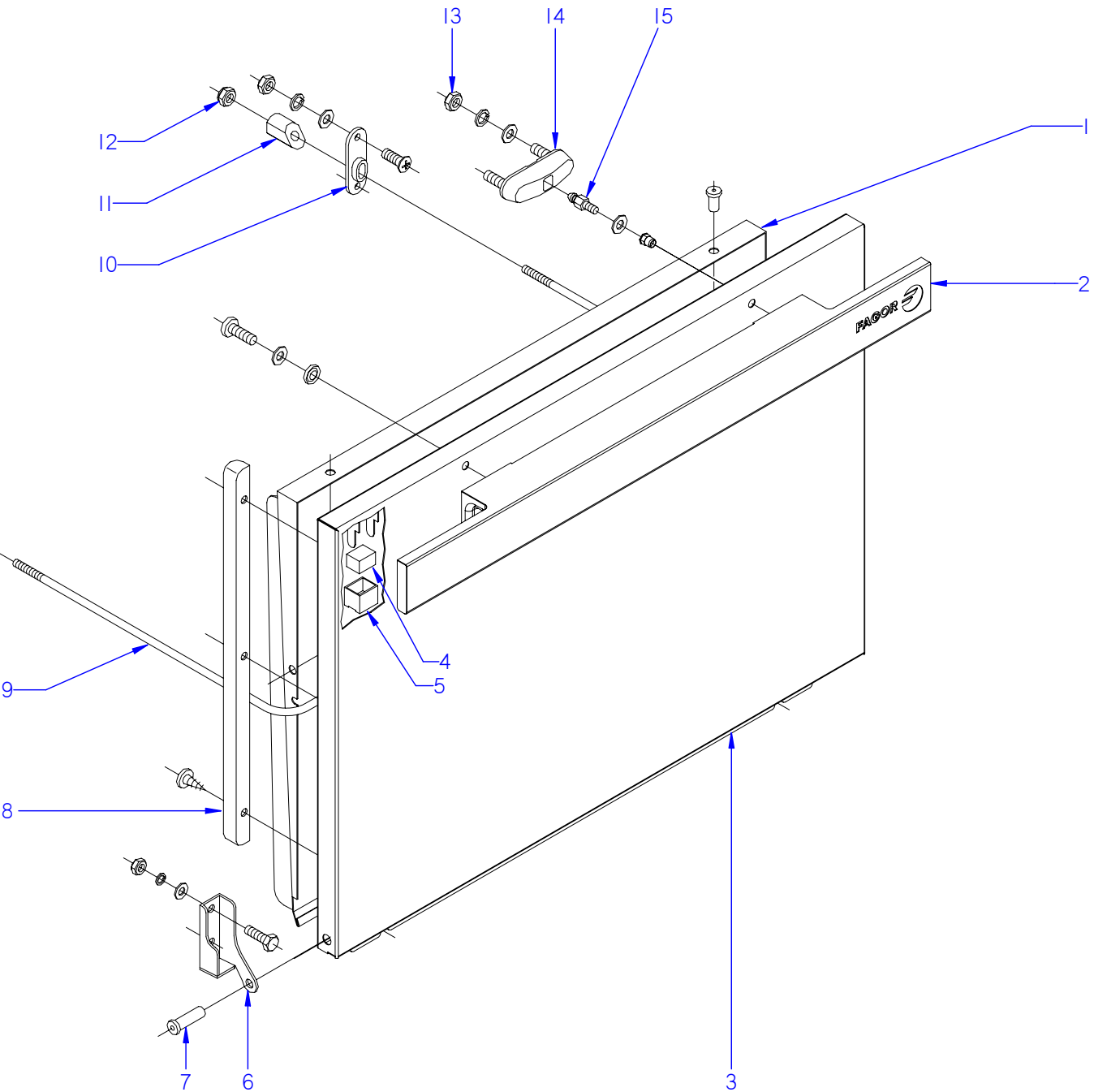
F A G O R I N D U S T R I A L



ITEM MARCADO EN COLOR = REPUESTO RECOMENDADO  
 COLOURED ITEM = RECOMMENDED SPARE PART

|                     |                    |              |   |                |                                       |
|---------------------|--------------------|--------------|---|----------------|---------------------------------------|
| Nº plano / N° plane | Firma              | Fecha / Date | Denominación / Denomination: MUEBLE / FITTING | Lamina / Sheet | Fagor Industrial S.Coop. <b>FAGOR</b> |
| C-2832              | <i>(Signature)</i> | 2011-06      | LAVAVASOS AD-21 W                             | 1              | Oñate                                 |

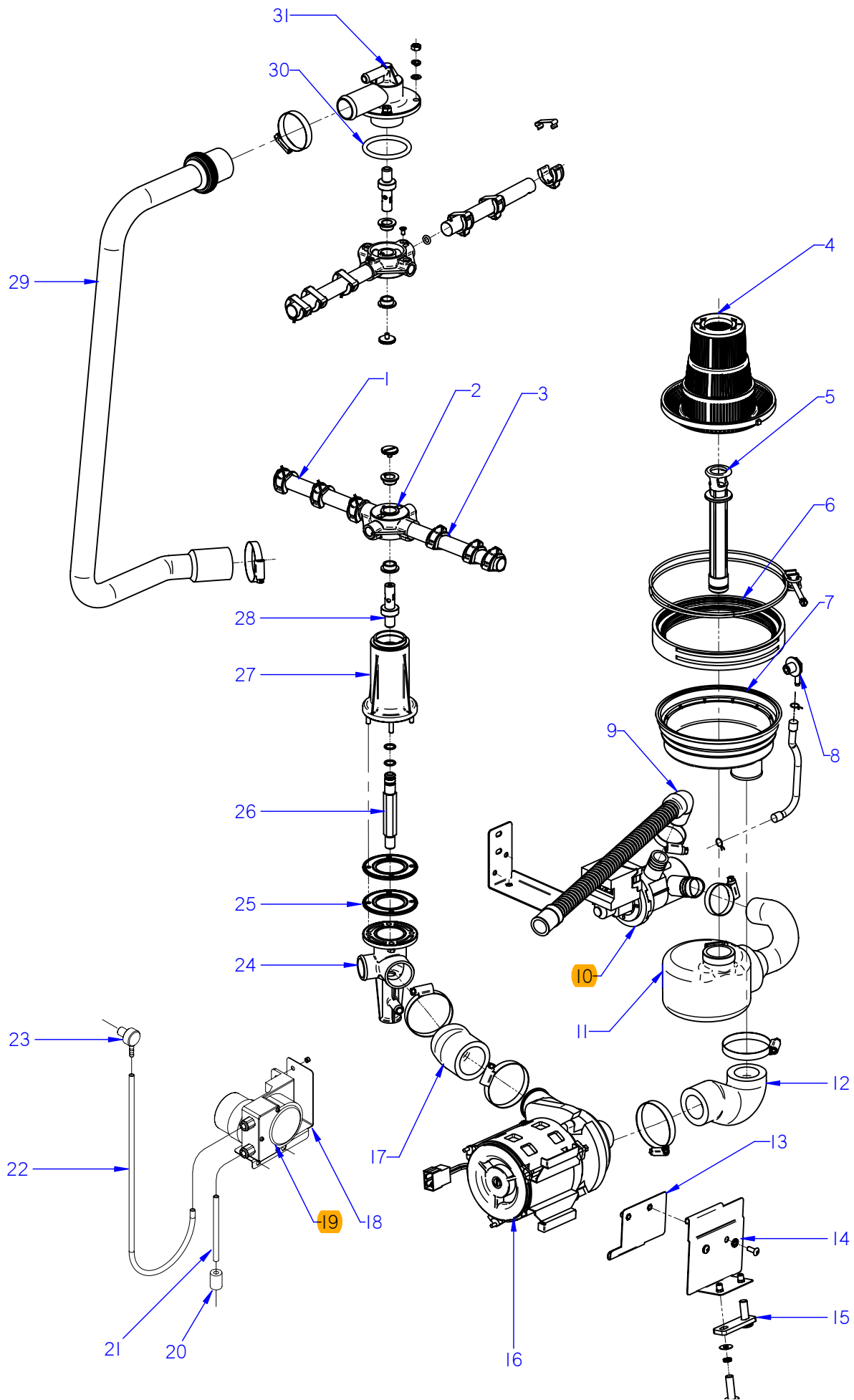
| MOD. |                  | LAVAVASOS / GLASS WASHER      |                             | ZONA / ZONE |  | MUEBLE / FITTING |  |  |  |  |  | PLANO DIAGRAM        |                        | C-2832 |  |
|------|------------------|-------------------------------|-----------------------------|-------------|--|------------------|--|--|--|--|--|----------------------|------------------------|--------|--|
| ITEM | CODIGO REFERENCE | DENOMINACION                  | DENOMINATION                | AD-21 W     |  |                  |  |  |  |  |  | ELIMINADO ELIMINATED | INTRODUCID. INTRODUCED | NOTAS  |  |
| 1    | Z442908000       | TAPA AD-21                    | COVER AD-21                 | 1           |  |                  |  |  |  |  |  |                      |                        |        |  |
|      | Q152004000       | TORNILLO APLASTADO M5x13 A304 | FLAT HEADED BOLT M5x13 A304 | 8           |  |                  |  |  |  |  |  |                      |                        |        |  |
| 2    | Z445320000       | CESTILLO LVC-21               | BASKET LVC-21               | 2           |  |                  |  |  |  |  |  |                      |                        |        |  |
| 3    | Z605303000       | CESTILLO CUBIERTOS            | CUTLERY BASKET              | 1           |  |                  |  |  |  |  |  |                      |                        |        |  |
| S/N  | Z625302000       | SUPLEMENT. PLATILLOS LAVAV.18 | SUPPLEMENT. GLASS WASHER P  | 1           |  |                  |  |  |  |  |  |                      |                        |        |  |
| 4    | Z420319000       | ESCUADRA AMARRE TAPA 21       | COVER FASTENING BRACKET 21  | 2           |  |                  |  |  |  |  |  |                      |                        |        |  |
|      | Q162040000       | TUERCA EXAGONAL M6            | HEXAGONAL NUT M6            | 4           |  |                  |  |  |  |  |  |                      |                        |        |  |
|      | Q221012000       | TUERCA RAPIDA M,5             | RAPID NUT M,5               | 6           |  |                  |  |  |  |  |  |                      |                        |        |  |
| 5    | Z420315000       | PERFIL CAJA                   | BOX PROFILE                 | 1           |  |                  |  |  |  |  |  |                      |                        |        |  |
| 6    | Z420306000       | ESCUADRA SUJECCION PERFIL     | FASTENING BRACKET PROFILE   | 1           |  |                  |  |  |  |  |  |                      |                        |        |  |
|      | Q262040000       | ARANDELA GROW. A6 A.304       | WASHER GROW. A6 A.304       | 2           |  |                  |  |  |  |  |  |                      |                        |        |  |
|      | Q162040000       | TUERCA EXAGONAL M6            | HEXAGONAL NUT M6            | 2           |  |                  |  |  |  |  |  |                      |                        |        |  |
| 7    | Z440304000       | GUIA CESTILLO DERECHA         | RIGHT BASKET GUIDE          | 1           |  |                  |  |  |  |  |  |                      |                        |        |  |
| S/Nº | Z440303000       | GUIA CESTILLO IZQUIERDA       | LEFT BASKET GUIDE           | 1           |  |                  |  |  |  |  |  |                      |                        |        |  |
| 8    | Z458611000       | PANEL FRONTAL 21B             | FRONT PANEL 21B             | 1           |  |                  |  |  |  |  |  |                      |                        |        |  |
| 9    | Z268004000       | SONDA TEMPERATURA GICAR       | TEMPERATURE PROBE WASH      | 2           |  |                  |  |  |  |  |  |                      |                        |        |  |
| S/Nº | Z718004000       | AMARRE SONDA                  | PROBE CATCH                 | 2           |  |                  |  |  |  |  |  |                      |                        |        |  |
|      | Q242010000       | ARANDELA ABANICO A3           | FAN WASHER A3               | 2           |  |                  |  |  |  |  |  |                      |                        |        |  |
|      | Q162020000       | TUERCA EXAGONAL M4            | HEXAGONAL NUT M4            | 2           |  |                  |  |  |  |  |  |                      |                        |        |  |
| 10   | Z420101000       | ARMAZON COMPLETO              | COMPLETE FRAME              | 1           |  |                  |  |  |  |  |  |                      |                        |        |  |
| 11   | P443060000       | TAPON                         | STOPPER                     | 1           |  |                  |  |  |  |  |  |                      |                        |        |  |
| S/Nº | N503017000       | SOPORTE TERMOSTATO 1001713    | THERMOSTAT SUPPORT 1001713  | 1           |  |                  |  |  |  |  |  |                      |                        |        |  |
| 12   | Z713038000       | REGU. TERMOS. TANQUE 60 °C    | THERM.TANQUE REGULATOR      | 1           |  |                  |  |  |  |  |  |                      |                        |        |  |
| 13   | Z420309000       | PERFIL INFERIOR CAJA          | BOX LOWER PROFILE           | 1           |  |                  |  |  |  |  |  |                      |                        |        |  |
| 14   | Z200107000       | PATA REGULABLE                | ADJUSTABLE LEG              | 4           |  |                  |  |  |  |  |  |                      |                        |        |  |
| 15   | Z422908000       | PANEL POSTERI. INFERIOR 20-21 | LOWER REAR PANEL 20-21      | 1           |  |                  |  |  |  |  |  |                      |                        |        |  |
| 16   | Z450301000       | CAJA SOLDADA AD-21 B, DD,C    | WELDED BOX AD-21 B, DD,C    | 1           |  |                  |  |  |  |  |  |                      |                        |        |  |
|      | Q162040000       | TUERCA EXAGONAL M6            | HEXAGONAL NUT M6            | 8           |  |                  |  |  |  |  |  |                      |                        |        |  |
|      | Q262040000       | ARANDELA GROW. A6 A.304       | WASHER GROW. A6 A.304       | 8           |  |                  |  |  |  |  |  |                      |                        |        |  |
| 17   | Z422902000       | PANEL POSTERIOR R20-C21       | REAR PANEL R20-C21          | 1           |  |                  |  |  |  |  |  |                      |                        |        |  |



ITEM MARCADO EN COLOR = REPUESTO RECOMENDADO  
 COLOURED ITEM = RECOMMENDED SPARE PART

|                     |                    |                              |               |                |  |
|---------------------|--------------------|------------------------------|---------------|----------------|--|
| Nº plano / N° plane | Firma              | Denominación / Denomination: | PUERTA / DOOR | Lamina / Sheet | Fagor Industrial S. Coop. <b>FAGOR</b> |
| C-28333             | <i>[Signature]</i> | LAVAVASOS AD-21 W            |               | 2              | Omate                                  |
|                     | Fecha / Date       |                              |               |                |  |
|                     | 2011-06            |                              |               |                |  |

| MOD. |                   | LAVAVASOS / GLASS WASHER       |                                | ZONA / ZONE |  | PUERTA / DOOR |  |  |  |  |  | PLANO DIAGRAM        |                        | C-2833 |  |
|------|-------------------|--------------------------------|--------------------------------|-------------|--|---------------|--|--|--|--|--|----------------------|------------------------|--------|--|
| ITEM | CODIGO REFERENCE  | DENOMINACION                   | DENOMINATION                   | AD-21 W     |  |               |  |  |  |  |  | ELIMINADO ELIMINATED | INTRODUCID. INTRODUCED | NOTAS  |  |
|      | <b>1200002020</b> | <b>KIT PUERTA LAVAVASOS 21</b> | <b>DOOR KIT 21 GLASSWASHER</b> | 1           |  |               |  |  |  |  |  |                      |                        |        |  |
| 1    | Z420513000        | CONTRAPUERTA COMPL. R20-C21    | COMPL. DOOR REVERSE R20-C2     | 1           |  |               |  |  |  |  |  |                      |                        |        |  |
|      | Q412000000        | REMACHE TUBULAR 4 x 8          | TUBULAR RIVET 4 x 8            | 4           |  |               |  |  |  |  |  |                      |                        |        |  |
| 2    | Z440505000        | ASA AD-21                      | HANDLE AD-21                   | 1           |  |               |  |  |  |  |  |                      |                        |        |  |
| S/Nº | Z210503000        | TACO SUJECCION                 | FASTENING RAWL                 | 2           |  |               |  |  |  |  |  |                      |                        |        |  |
|      | Q012045000        | TORNILLO EXAGONAL M6X30        | HEXAGONAL BOLT M6x30           | 2           |  |               |  |  |  |  |  |                      |                        |        |  |
|      | Q262040000        | ARANDELAS GROW. A6 A.304       | WASHER GROW. A6 A.304          | 2           |  |               |  |  |  |  |  |                      |                        |        |  |
| 3    | Z440504000        | PUERTA COMPLETA AD-21          | COMPLETE DOOR AD-21            | 1           |  |               |  |  |  |  |  |                      |                        |        |  |
| S/Nº | Z206135000        | CHECK LIST LAVAVAJILLAS FAGOR  | CHECK LIST                     | 1           |  |               |  |  |  |  |  |                      |                        |        |  |
| 4    | Z200506000        | IMAN                           | MAGNET                         | 1           |  |               |  |  |  |  |  |                      |                        |        |  |
| 5    | Z200507000        | PROTECTOR IMAN                 | MAGNET PROTECTOR               | 1           |  |               |  |  |  |  |  |                      |                        |        |  |
| 6    | Z400514000        | BISAGRA IZQUIERDA T-C.         | LEFT HINGE T-C.                | 1           |  |               |  |  |  |  |  |                      |                        |        |  |
| S/Nº | Z400515000        | BISAGRA DERECHA T-C.           | RIGHT HINGE T-C.               | 1           |  |               |  |  |  |  |  |                      |                        |        |  |
|      | Q012042000        | TORNILLO EXAGONAL M6X15        | HEXAGONAL BOLT M6x15           | 4           |  |               |  |  |  |  |  |                      |                        |        |  |
|      | Q232040000        | ARANDELA A6                    | WASHER A6                      | 4           |  |               |  |  |  |  |  |                      |                        |        |  |
|      | Q262040000        | ARANDELAS GROW. A6 A.304       | WASHER GROW. A6 A.304          | 4           |  |               |  |  |  |  |  |                      |                        |        |  |
|      | Q162040000        | TUERCA EXAGONAL M6             | HEXAGONAL NUT M6               | 4           |  |               |  |  |  |  |  |                      |                        |        |  |
| 7    | Z400516000        | EJE PUERTA                     | DOOR SHAFT                     | 2           |  |               |  |  |  |  |  |                      |                        |        |  |
| 8    | Z420522000        | GUIA IZQUIERDA                 | LEFT GUIDE                     | 1           |  |               |  |  |  |  |  |                      |                        |        |  |
| S/Nº | Z420521000        | GUIA DERECHA                   | RIGHT GUIDE                    | 1           |  |               |  |  |  |  |  |                      |                        |        |  |
|      | Q412000000        | REMACHE TUBULAR 4 x 8          | TUBULAR RIVET 4 x 8            | 4           |  |               |  |  |  |  |  |                      |                        |        |  |
| 9    | Z420519000        | VARILLA TENSOR                 | TIGHTENER ROD                  | 1           |  |               |  |  |  |  |  |                      |                        |        |  |
| 10   | Z200310000        | SOPORTE TENSOR                 | TIGHTENER SUPPOR               | 2           |  |               |  |  |  |  |  |                      |                        |        |  |
| 11   | Z200522000        | TENSOR PUERTA                  | TIGHTENER DOOR                 | 2           |  |               |  |  |  |  |  |                      |                        |        |  |
| 12   | Q222012000        | TUERCA AUTOB. M6               | SELF-LOCKING NUT M6            | 2           |  |               |  |  |  |  |  |                      |                        |        |  |
| 13   | Q222012000        | TUERCA AUTOB. M6               | SELF-LOCKING NUT M6            | 2           |  |               |  |  |  |  |  |                      |                        |        |  |
| 14   | Z200607000        | CONJUNTO CIERRE PUER.T-CO      | LOCK UNIT PUERTAT-CO           | 1           |  |               |  |  |  |  |  |                      |                        |        |  |
| 15   | Z200601000        | ENGANCHE CIERRE                | LOCK LATCH                     | 1           |  |               |  |  |  |  |  |                      |                        |        |  |
|      | Q232030000        | ARANDELA A5                    | WASHER A5                      | 1           |  |               |  |  |  |  |  |                      |                        |        |  |
|      |                   |                                |                                |             |  |               |  |  |  |  |  |                      |                        |        |  |
|      |                   |                                |                                |             |  |               |  |  |  |  |  |                      |                        |        |  |



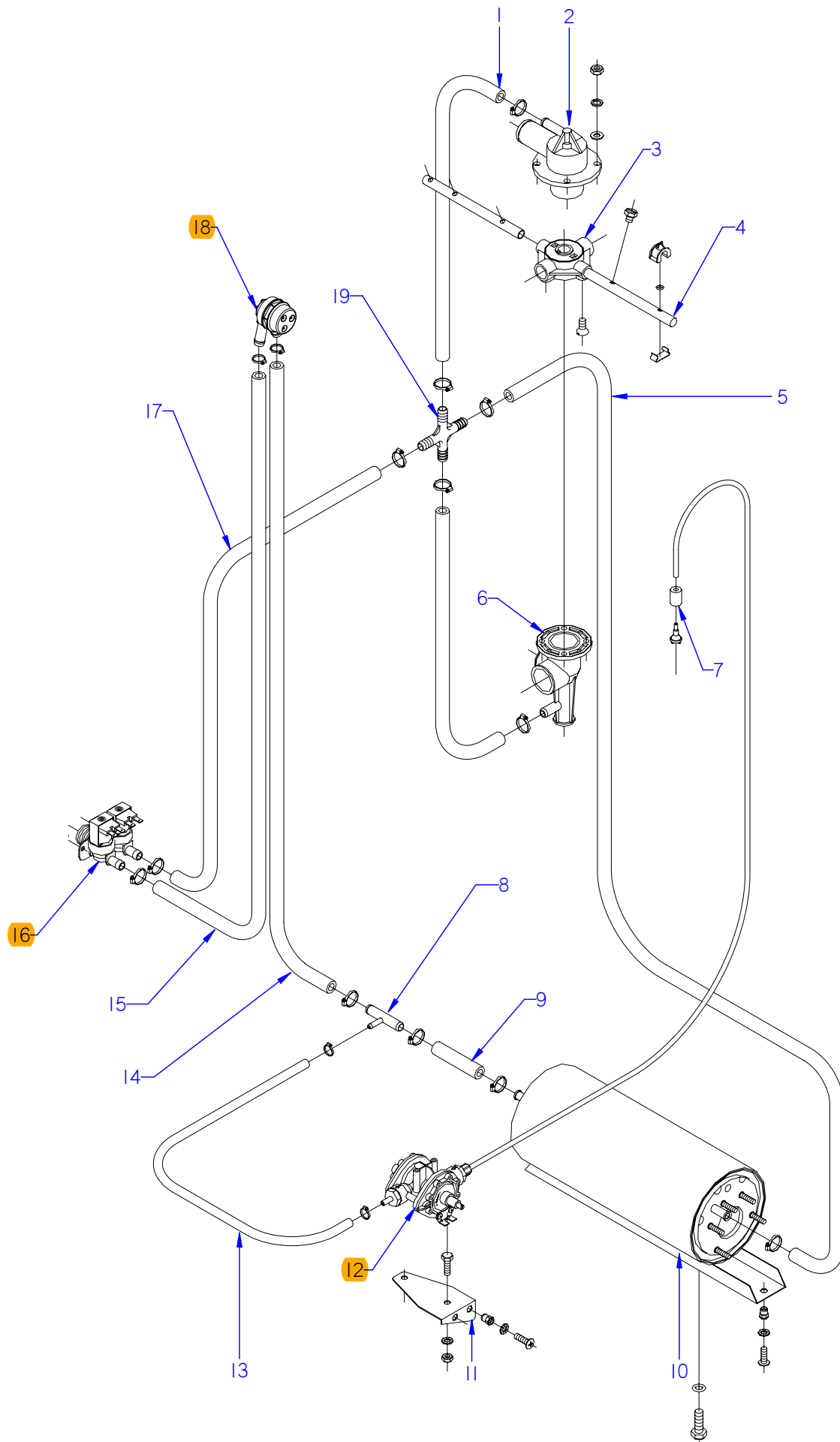
ITEM MARCADO EN COLOR = REPUESTO RECOMENDADO  
 COLOURED ITEM = RECOMMENDED SPARE PART

|                      |                    |              |                              |                                    |                |                                       |
|----------------------|--------------------|--------------|------------------------------|------------------------------------|----------------|---------------------------------------|
| Nº plano / N ° plane | Firma              | Fecha / Date | Denominación / Denomination: | FUNCIONAL LAVADO / WASH FUNCTIONAL | Lamina / Sheet | Fagor Industrial S.Coop. <b>FAGOR</b> |
| C-2834               | <i>[Signature]</i> | 2011-06      | LAVAVASOS AD-21 W            |                                    | 3              | Oñate                                 |

| MOD. |                     | LAVAVASOS / GLASS WASHER      | ZONA / ZONE                 | PARTE FUNCIONAL LAVADO<br>WASH FUNCTIONAL PART |  |  |  |  |  |  |  | PLANO<br>DIAGRAM        | C-2834                    |       |
|------|---------------------|-------------------------------|-----------------------------|--|--|--|--|--|--|--|--|-------------------------|---------------------------|-------|
| ITEM | CODIGO<br>REFERENCE | DENOMINACION                  | DENOMINATION                | AD-21 W  |  |  |  |  |  |  |  | ELIMINADO<br>ELIMINATED | INTRODUCID.<br>INTRODUCED | NOTAS |
| 1    | Z440707000          | RAMA LAVADO B                 | WASH B BRANCH               | 2  |  |  |  |  |  |  |  |                         |                           |       |
| S/Nº | Z400709000          | TOBERA LAVADO                 | WASH NOZZLE                 | 12   |  |  |  |  |  |  |  |                         |                           |       |
| S/Nº | Z400711000          | ENGANCHE TOBERA LAVADO        | WASH NOZZLE CATCH           | 12   |  |  |  |  |  |  |  |                         |                           |       |
| 2    | Z410704000          | CRUCETA                       | CROSSPIECE                  | 2  |  |  |  |  |  |  |  |                         |                           |       |
|      | Q152016000          | TORNILLO ESPECIAL M.5X0.8     | SPECIAL BOLT M.5X0.8        | 2  |  |  |  |  |  |  |  |                         |                           |       |
|      | Z410705000          | CASQUILLO CRUCETA             | CROSSPIECE BUSHING          | 4  |  |  |  |  |  |  |  |                         |                           |       |
| 3    | Z440706000          | RAMA LAVADO A                 | WASH BRANCH A               | 2  |  |  |  |  |  |  |  |                         |                           |       |
| 4    | Z400920000          | FILTRO ALTO                   | HIGH FILTER                 | 1  |  |  |  |  |  |  |  |                         |                           |       |
| 5    | Z400907000          | ALIVIADERO                    | OVERFLOW/ALIVIADERO         | 1  |  |  |  |  |  |  |  |                         |                           |       |
| 6    | Z400902000          | JUNTA CUBETA                  | TRAY SEAL                   | 1  |  |  |  |  |  |  |  |                         |                           |       |
| 7    | Z400901000          | CUBETA                        | TRAY                        | 1  |  |  |  |  |  |  |  |                         |                           |       |
|      | Z400903000          | ABRAZADERA CUBETA             | TRAY CLAMP                  | 1  |  |  |  |  |  |  |  |                         |                           |       |
| 8    | Z230905000          | PASAMUROS INOX DETERGENTE     | INOX DETERGENT WALL BUSHIN  | 1  |  |  |  |  |  |  |  |                         |                           |       |
|      | P102154000          | BRIDA ELASTICA TUBO           | ELASTIC PIPE FLANGE         | 2  |  |  |  |  |  |  |  |                         |                           |       |
|      | 3702400000          | TUBO GOMA NEGRO D 8*4         | BLACK RUBBER PIPE Ø 8*4     | 1  |  |  |  |  |  |  |  |                         |                           |       |
| 9    | Z220903000          | MANGUERA DESAGÜE              | DRAINAGE HOSE               | 1  |  |  |  |  |  |  |  |                         |                           |       |
|      | Q901307000          | ABRAZADERA ELASTICA 37.7-39.7 | ELASTIC CLAMP 37.7-39.7     | 1  |  |  |  |  |  |  |  |                         |                           |       |
| 10   | Z223501000          | BOMBA DE DESAGUE 30W 60HZ     | DRAINAGE PUMP 30W 60HZ      | 1  |  |  |  |  |  |  |  |                         |                           |       |
|      | Z430902000          | SOPORTE BOMBA DESAGUE B       | DRAINAGE PUMP SUPPORT B     | 1  |  |  |  |  |  |  |  |                         |                           |       |
|      | Q012031000          | TORNILLO EXAGONAL M5X10       | HEXAGONAL BOLT M5x10        | 2  |  |  |  |  |  |  |  |                         |                           |       |
|      | Q242030000          | ARANDELA ABANICO A5 A.304     | FAN WASHER A5 A.304         | 2  |  |  |  |  |  |  |  |                         |                           |       |
| 11   | Z430901000          | ACUMULADOR 1503114            | ACCUMULATOR 1503114         | 1  |  |  |  |  |  |  |  |                         |                           |       |
|      | Q901307000          | ABRAZADERA ELASTICA 37.7-39.7 | ELASTIC CLAMP 37.7-39.7     | 1  |  |  |  |  |  |  |  |                         |                           |       |
| 12   | Z400905000          | CODO ASPIRACION 1003115       | EXTRACTOR ELBOW 1003115     | 1  |  |  |  |  |  |  |  |                         |                           |       |
|      | Q881307000          | ABRAZADERA 40-60              | CLAMP 40-60                 | 2  |  |  |  |  |  |  |  |                         |                           |       |
| 13   | Z401004000          | AMARRE MOTOBOMBA              | MOTORPUMP FASTENING         | 1  |  |  |  |  |  |  |  |                         |                           |       |
| 14   | Z421002000          | SOPORTE MOTOBOMBA             | MOTOR PUMP SUPPORT          | 1  |  |  |  |  |  |  |  |                         |                           |       |
|      | Q152004000          | TORNILLO APLASTADO M5x13 A304 | FLAT HEADED BOLT M5x13 A304 | 2  |  |  |  |  |  |  |  |                         |                           |       |
|      | Q242030000          | ARANDELA ABANICO A5 A.304     | FAN WASHER A5 A.304         | 4  |  |  |  |  |  |  |  |                         |                           |       |
|      |                     |                               |                             |  |  |  |  |  |  |  |  |                         |                           |       |
|      |                     |                               |                             |  |  |  |  |  |  |  |  |                         |                           |       |

| MOD. |                     | LAVAVASOS / GLASS WASHER      | ZONA / ZONE                  | PARTE FUNCIONAL LAVADO<br>WASH FUNCTIONAL PART |  |  |  |  |  |  |                         | PLANO<br>DIAGRAM          | C-2834 |
|------|---------------------|-------------------------------|------------------------------|--|--|--|--|--|--|--|-------------------------|---------------------------|--------|
| ITEM | CODIGO<br>REFERENCE | DENOMINACION                  | DENOMINATION                 | AD-21 W  |  |  |  |  |  |  | ELIMINADO<br>ELIMINATED | INTRODUCID.<br>INTRODUCED | NOTAS  |
| 15   | Z401006000          | PERFIL AMORTIGUADOR           | SHOCK ABSORBER PROFILE       | 1  |  |  |  |  |  |  |                         |                           |        |
|      | Q242030000          | ARANDELA ABANICO A5 A.304     | FAN WASHER A5 A.304          | 2  |  |  |  |  |  |  |                         |                           |        |
|      | Q302022000          | ARANDELA 16x6x1,2 A304        | WASHER 16x6x1.2 A304         | 2  |  |  |  |  |  |  |                         |                           |        |
|      | Q032032000          | TORNILLO ALOMADO M5X15        | CURVED SCREW M5X15           | 2  |  |  |  |  |  |  |                         |                           |        |
| 16   | Z401001000          | BOMBA LAVADO                  | WASH PUMP                    | 1  |  |  |  |  |  |  |                         |                           |        |
| 17   | Z400906000          | CODO IMPULSION 1003116        | IMPULSE ELBOW 1003116        | 1  |  |  |  |  |  |  |                         |                           |        |
|      | Q881307000          | ABRAZADERA 40-60              | CLAMP 40-60                  | 2  |  |  |  |  |  |  |                         |                           |        |
| 18   | Z208909000          | SOPORTE DOSIF. DETERGENTE     | DETERGENT DISP. SUPPORT      | 1  |  |  |  |  |  |  |                         |                           |        |
| 19   | Z208903000          | DOSIFIC. DGTE REGULABLE G300  | DETERGENT DISP. ADJUST. G300 | 1  |  |  |  |  |  |  |                         |                           |        |
| 20   | Z701152000          | PESO FILTRO                   | FILTER WEIGHT                | 1  |  |  |  |  |  |  |                         |                           |        |
| 21   | Z448614000          | CONDUCTO ASPIRACIÓN           | EXTRACTOR PIPE               | 1  |  |  |  |  |  |  |                         |                           |        |
| 22   | 36993000000         | CONDUCTO DOSIF. TRANSPAREN    | TRANSPAR. EXTRACTOR PIPE     | 1  |  |  |  |  |  |  |                         |                           |        |
| 23   | Z208927000          | PASAMUROS INOX DETERGENTE     | INOX DETERGENT WALL BUSHING  | 1  |  |  |  |  |  |  |                         |                           |        |
| S/Nº | Z208904000          | CABLEADO DOSIFICADOR DTGTE.   | DETERGENT DISP. WIRING       | 2  |  |  |  |  |  |  |                         |                           |        |
| 24   | Z410702000          | PASAMUROS CESTO CUADRADO      | SQUARE BASKET WALL BUSHING   | 1  |  |  |  |  |  |  |                         |                           |        |
|      | Q232030000          | ARANDELA A5                   | WASHER A5                    | 4  |  |  |  |  |  |  |                         |                           |        |
|      | Q262030000          | ARANDELA GROW. A5 A.304       | WASHER GROW. A5 A.304        | 4  |  |  |  |  |  |  |                         |                           |        |
|      | Q162030000          | TUERCA EXAGONAL M5            | HEXAGONAL NUT M5             | 4  |  |  |  |  |  |  |                         |                           |        |
| 25   | Z400703000          | JUNTA ESTANQUE. 1003113       | SEAL. 1003113                | 2  |  |  |  |  |  |  |                         |                           |        |
| 26   | Z410712000          | EMPALME ACLARADO              | RINSE CONNECTION             | 1  |  |  |  |  |  |  |                         |                           |        |
|      | Q307056000          | JUNTA TORICA 10,82x14,38x1,78 | O-RING 10.82x14.38x1.78      | 2  |  |  |  |  |  |  |                         |                           |        |
| 27   | Z410701000          | SOPORTE INFERIOR CUADRO       | LOWER SUPPORT BRACKET        | 1  |  |  |  |  |  |  |                         |                           |        |
| 28   | Z410708000          | EJE                           | SHAFT                        | 2  |  |  |  |  |  |  |                         |                           |        |
| 29   | Z440711000          | ARBOL LAVADO                  | WASH CAM                     | 1  |  |  |  |  |  |  |                         |                           |        |
|      | Q881306000          | ABRAZADERA 32-50L             | CLAMP 32-50L                 | 2  |  |  |  |  |  |  |                         |                           |        |
| 30   | Q307052000          | JUNTA TORICA 50,17X60,83X5,3  | O-RING 50.17X60.83X5.3       | 1  |  |  |  |  |  |  |                         |                           |        |
| 31   | Z410703000          | SOPORTE DISTRIB. SUPERIOR     | UPPER DISTRIB. SUPPORT       | 1  |  |  |  |  |  |  |                         |                           |        |
|      | Q232040000          | ARANDELA A6                   | WASHER A6                    | 4  |  |  |  |  |  |  |                         |                           |        |
|      | Q262040000          | ARANDELA GROW. A6 A.304       | WASHER GROW. A6 A.304        | 4  |  |  |  |  |  |  |                         |                           |        |
|      | Q162040000          | TUERCA EXAGONAL M6            | HEXAGONAL NUT M6             | 4  |  |  |  |  |  |  |                         |                           |        |





ITEM MARCADO EN COLOR = REPUESTO RECOMENDADO  
 COLOURED ITEM = RECOMMENDED SPARE PART

|                     |                    |              |   |                |                                       |
|---------------------|--------------------|--------------|---|----------------|---------------------------------------|
| Nº plano / Nº plane | Firma              | Fecha / Date | Denominación / Denomination: FUNCIONAL ACLARADO / RINSE FUNCIONAL | Lamina / Sheet | Fagor Industrial S.Coop. <b>FAGOR</b> |
| C-2835              | <i>[Signature]</i> | 2011-06      | LAVAVASOS AD-21 W   | 4              | Oñate                                 |

| MOD. | LAVAVASOS / GLASS WASHER |                               | ZONA / ZONE                 | PARTE FUNCIONAL ACLARADO<br>RINSE FUNCTIONAL PART |  |  |  |  |  |  | PLANO<br>DIAGRAM        | C-2835                    |       |
|------|--------------------------|-------------------------------|-----------------------------|---|--|--|--|--|--|--|-------------------------|---------------------------|-------|
| ITEM | CODIGO<br>REFERENCE      | DENOMINACION                  | DENOMINATION                | AD-21 W   |  |  |  |  |  |  | ELIMINADO<br>ELIMINATED | INTRODUCID.<br>INTRODUCED | NOTAS |
| 1    | 3676900000               | TUBO GOMA NEGRA Ø17*10        | BLACK RUBBER PIPE Ø17*10    | 2   |  |  |  |  |  |  |                         |                           |       |
|      | Q881302000               | ABRAZADERA 12/20              | CLAMP 12/20                 | 6   |  |  |  |  |  |  |                         |                           |       |
| 2    | Z410703000               | SOPORTE DISTRIBUIDOR SUPER.   | UPPER DISTRIBUTION SUPPORT  | 1   |  |  |  |  |  |  |                         |                           |       |
|      | Q232040000               | ARANDELA A6                   | WASHER A6                   | 4   |  |  |  |  |  |  |                         |                           |       |
|      | Q262040000               | ARANDELA GROW. A6 A.304       | WASHER GROW. A6 A.304       | 4   |  |  |  |  |  |  |                         |                           |       |
|      | Q162040000               | TUERCA EXAGONAL M6            | HEXAGONAL NUT M6            | 4   |  |  |  |  |  |  |                         |                           |       |
| 3    | Z410704000               | CRUCETA                       | CROSSPIECE                  | 2   |  |  |  |  |  |  |                         |                           |       |
|      | Q152016000               | TORNILLO ESPECIAL M.5X0.8     | SPECIAL BOLT M.5X0.8        | 2   |  |  |  |  |  |  |                         |                           |       |
|      | Z410705000               | CASQUILLO CRUCETA             | CROSSPIECE BUSHING          | 4   |  |  |  |  |  |  |                         |                           |       |
| 4    | Z441902000               | RAMA ACLARADO B               | RINSE BRANCH B              | 2   |  |  |  |  |  |  |                         |                           |       |
| S/Nº | Z441901000               | RAMA ACLARADO A               | RINSE BRANCH A              | 2   |  |  |  |  |  |  |                         |                           |       |
|      | Z211903000               | TOBERA ACLARADO               | RINSE NOZZLE                | 10  |  |  |  |  |  |  |                         |                           |       |
|      | Q042021000               | TORNILL. AVELLANADO M4X10 A30 | COUNTERSUNK BOLT M4X10 A30  | 4   |  |  |  |  |  |  |                         |                           |       |
| 5    | 3676900000               | TUBO GOMA NEGRA Ø17*10        | BLACK RUBBER PIPE Ø17*10    | 1   |  |  |  |  |  |  |                         |                           |       |
|      | Q881302000               | ABRAZADERA 12/20              | CLAMP 12/20                 | 1   |  |  |  |  |  |  |                         |                           |       |
| 6    | Z410702000               | PASAMUROS CESTO CUADRADO      | SQUARE BASKET WALL BUSHING  | 1   |  |  |  |  |  |  |                         |                           |       |
|      | Q232030000               | ARANDELA A5                   | WASHER A5                   | 4   |  |  |  |  |  |  |                         |                           |       |
|      | Q262030000               | ARANDELA GROW. A5 A.304       | WASHER GROW. A5 A.304       | 4   |  |  |  |  |  |  |                         |                           |       |
|      | Q162030000               | TUERCA EXAGONAL M5            | HEXAGONAL NUT M5            | 4   |  |  |  |  |  |  |                         |                           |       |
| 7    | Z701152000               | PESO FILTRO                   | FILTER WEIGHT               | 1   |  |  |  |  |  |  |                         |                           |       |
| 8    | Z601157000               | TOMA PRESION                  | PRESSURE INTAKE             | 1   |  |  |  |  |  |  |                         |                           |       |
| 9    | 3676900000               | TUBO GOMA NEGRA Ø17*10        | BLACK RUBBER PIPE Ø17*10    | 1   |  |  |  |  |  |  |                         |                           |       |
|      | Q881302000               | ABRAZADERA 12/20              | CLAMP 12/20                 | 4   |  |  |  |  |  |  |                         |                           |       |
| 10   | Z401730000               | CALDERIN LAVAVASOS 10-2       | GLASSWASHER BOILER 10-2     | 1   |  |  |  |  |  |  |                         |                           |       |
| 11   | Z401116000               | SOPORTE DOSIFICADOR           | DISPENSER SUPPORT           | 1   |  |  |  |  |  |  |                         |                           |       |
|      | Q242030000               | ARANDELA ABANICO A5 A.304     | FAN WASHER A5 A.304         | 4   |  |  |  |  |  |  |                         |                           |       |
|      | Q152004000               | TORNILLO APLASTADO M5x13 A304 | FLAT HEADED BOLT M5x13 A304 | 2   |  |  |  |  |  |  |                         |                           |       |
| 12   | Z211109000               | DOSIFICADOR TENSOACTIVO N-6   | SURFACE ACT. DISP. N-6      | 1   |  |  |  |  |  |  |                         |                           |       |
| S/Nº | Z448618000               | CONDUCTO ABRILLANTADOR        | POLISH DUCT                 | 1   |  |  |  |  |  |  |                         |                           |       |
| 13   | 3704000000               | TUBO GOMA NEGRA Ø10,5*5       | BLACK RUBBER PIPE Ø10,5*5   | 1   |  |  |  |  |  |  |                         |                           |       |
|      | Q881308000               | ABRAZADERA 8/14               | CLAMP 8/14                  | 2   |  |  |  |  |  |  |                         |                           |       |

MOD. LAVAVASOS / GLASS WASHER

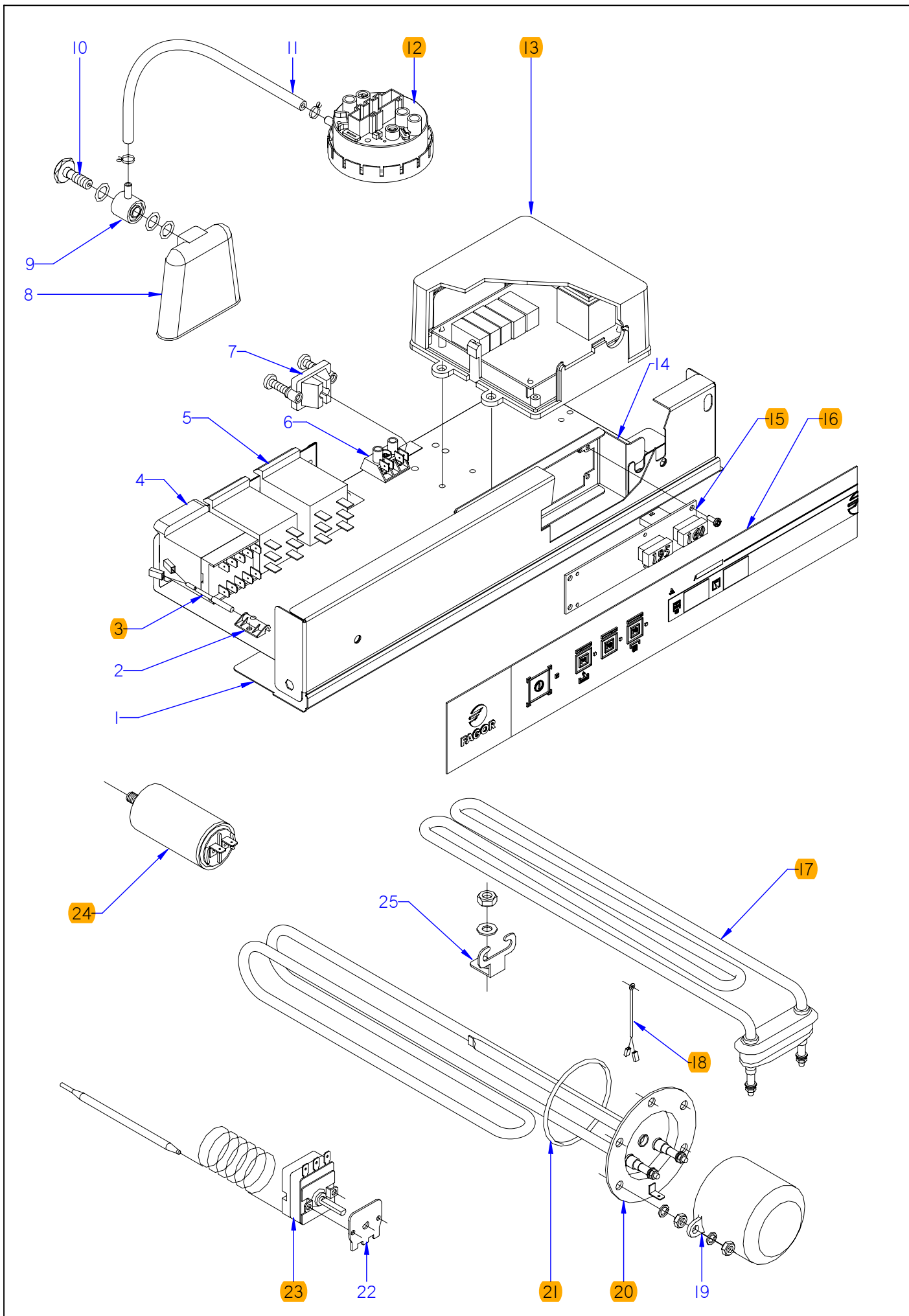
ZONA / ZONE

PARTE FUNCIONAL ACLARADO  
RINSE FUNCTIONAL PART

PLANO  
DIAGRAM

C-2835

| ITEM | CODIGO REFERENCE | DENOMINACION           | DENOMINATION             | AD-21 W |  |  |  |  |  |  |  | ELIMINADO<br>ELIMINATED | INTRODUCID.<br>INTRODUCED | NOTAS |
|------|------------------|------------------------|--------------------------|---------|--|--|--|--|--|--|--|-------------------------|---------------------------|-------|
| 14   | 3676900000       | TUBO GOMA NEGRA Ø17*10 | BLACK RUBBER PIPE Ø17*10 | 1       |  |  |  |  |  |  |  |                         |                           |       |
|      | Q881302000       | ABRAZADERA 12/20       | CLAMP 12/20              | 2       |  |  |  |  |  |  |  |                         |                           |       |
| 15   | 3676900000       | TUBO GOMA NEGRA Ø17*10 | BLACK RUBBER PIPE Ø17*10 | 1       |  |  |  |  |  |  |  |                         |                           |       |
|      | Q881302000       | ABRAZADERA 12/20       | CLAMP 12/20              | 2       |  |  |  |  |  |  |  |                         |                           |       |
| 16   | P255001000       | ELECTROVALVULA DOBLE   | DOUBLE SOLENOID VALVE    | 1       |  |  |  |  |  |  |  |                         |                           |       |
| 17   | 3676900000       | TUBO GOMA NEGRA Ø17*10 | BLACK RUBBER PIPE Ø17*10 | 1       |  |  |  |  |  |  |  |                         |                           |       |
|      | Q881302000       | ABRAZADERA 12/20       | CLAMP 12/20              | 2       |  |  |  |  |  |  |  |                         |                           |       |
| 18   | Z231106000       | VALVULA ANTIRRETORNO   | NON-RETURN VALVE         | 1       |  |  |  |  |  |  |  |                         |                           |       |
|      | Q881302000       | ABRAZADERA 12/20       | CLAMP 12/20              | 2       |  |  |  |  |  |  |  |                         |                           |       |
| 19   | Z401108000       | RACORD EN CRUZ         | DIAGONAL CONNECTION      | 1       |  |  |  |  |  |  |  |                         |                           |       |
|      |                  |                        |                          |         |  |  |  |  |  |  |  |                         |                           |       |
|      |                  |                        |                          |         |  |  |  |  |  |  |  |                         |                           |       |
|      |                  |                        |                          |         |  |  |  |  |  |  |  |                         |                           |       |
|      |                  |                        |                          |         |  |  |  |  |  |  |  |                         |                           |       |
|      |                  |                        |                          |         |  |  |  |  |  |  |  |                         |                           |       |
|      |                  |                        |                          |         |  |  |  |  |  |  |  |                         |                           |       |
|      |                  |                        |                          |         |  |  |  |  |  |  |  |                         |                           |       |
|      |                  |                        |                          |         |  |  |  |  |  |  |  |                         |                           |       |
|      |                  |                        |                          |         |  |  |  |  |  |  |  |                         |                           |       |
|      |                  |                        |                          |         |  |  |  |  |  |  |  |                         |                           |       |
|      |                  |                        |                          |         |  |  |  |  |  |  |  |                         |                           |       |
|      |                  |                        |                          |         |  |  |  |  |  |  |  |                         |                           |       |
|      |                  |                        |                          |         |  |  |  |  |  |  |  |                         |                           |       |
|      |                  |                        |                          |         |  |  |  |  |  |  |  |                         |                           |       |
|      |                  |                        |                          |         |  |  |  |  |  |  |  |                         |                           |       |
|      |                  |                        |                          |         |  |  |  |  |  |  |  |                         |                           |       |
|      |                  |                        |                          |         |  |  |  |  |  |  |  |                         |                           |       |
|      |                  |                        |                          |         |  |  |  |  |  |  |  |                         |                           |       |
|      |                  |                        |                          |         |  |  |  |  |  |  |  |                         |                           |       |
|      |                  |                        |                          |         |  |  |  |  |  |  |  |                         |                           |       |
|      |                  |                        |                          |         |  |  |  |  |  |  |  |                         |                           |       |
|      |                  |                        |                          |         |  |  |  |  |  |  |  |                         |                           |       |
|      |                  |                        |                          |         |  |  |  |  |  |  |  |                         |                           |       |
|      |                  |                        |                          |         |  |  |  |  |  |  |  |                         |                           |       |
|      |                  |                        |                          |         |  |  |  |  |  |  |  |                         |                           |       |
|      |                  |                        |                          |         |  |  |  |  |  |  |  |                         |                           |       |
|      |                  |                        |                          |         |  |  |  |  |  |  |  |                         |                           |       |
|      |                  |                        |                          |         |  |  |  |  |  |  |  |                         |                           |       |
|      |                  |                        |                          |         |  |  |  |  |  |  |  |                         |                           |       |
|      |                  |                        |                          |         |  |  |  |  |  |  |  |                         |                           |       |
|      |                  |                        |                          |         |  |  |  |  |  |  |  |                         |                           |       |
|      |                  |                        |                          |         |  |  |  |  |  |  |  |                         |                           |       |
|      |                  |                        |                          |         |  |  |  |  |  |  |  |                         |                           |       |
|      |                  |                        |                          |         |  |  |  |  |  |  |  |                         |                           |       |
|      |                  |                        |                          |         |  |  |  |  |  |  |  |                         |                           |       |
|      |                  |                        |                          |         |  |  |  |  |  |  |  |                         |                           |       |
|      |                  |                        |                          |         |  |  |  |  |  |  |  |                         |                           |       |
|      |                  |                        |                          |         |  |  |  |  |  |  |  |                         |                           |       |
|      |                  |                        |                          |         |  |  |  |  |  |  |  |                         |                           |       |
|      |                  |                        |                          |         |  |  |  |  |  |  |  |                         |                           |       |
|      |                  |                        |                          |         |  |  |  |  |  |  |  |                         |                           |       |
|      |                  |                        |                          |         |  |  |  |  |  |  |  |                         |                           |       |
|      |                  |                        |                          |         |  |  |  |  |  |  |  |                         |                           |       |
|      |                  |                        |                          |         |  |  |  |  |  |  |  |                         |                           |       |
|      |                  |                        |                          |         |  |  |  |  |  |  |  |                         |                           |       |
|      |                  |                        |                          |         |  |  |  |  |  |  |  |                         |                           |       |
|      |                  |                        |                          |         |  |  |  |  |  |  |  |                         |                           |       |
|      |                  |                        |                          |         |  |  |  |  |  |  |  |                         |                           |       |
|      |                  |                        |                          |         |  |  |  |  |  |  |  |                         |                           |       |
|      |                  |                        |                          |         |  |  |  |  |  |  |  |                         |                           |       |



ITEM MARCADO EN COLOR = REPUESTO RECOMENDADO  
 COLOURED ITEM = RECOMMENDED SPARE PART

|                      |                    |              |  |   |                                       |
|----------------------|--------------------|--------------|--|---|---------------------------------------|
| Nº plano / N ° plane | Firma              | Fecha / Date | Denominación / Denomination: FUNCIONAL ELECTRICO / ELECTRICS FUNCIONAL | 5 | Fagor Industrial S.Coop. <b>FAGOR</b> |
| C-2836               | <i>[Signature]</i> | 2011-06      | LAVAVASOS AD-21 W  |   | Oñate                                 |

| MOD. |                     | LAVAVASOS / GLASS WASHER      | ZONA / ZONE                 | PARTE FUNCIONAL ELECTRICA<br>ELECTRICS FUNCTIONAL PART |  |  |  |  |  |  |                         | PLANO<br>DIAGRAM          | C-2836 |
|------|---------------------|-------------------------------|-----------------------------|--|--|--|--|--|--|--|-------------------------|---------------------------|--------|
| ITEM | CODIGO<br>REFERENCE | DENOMINACION                  | DENOMINATION                | AD-21 W  |  |  |  |  |  |  | ELIMINADO<br>ELIMINATED | INTRODUCID.<br>INTRODUCED | NOTAS  |
| 1    | Z448402000          | FRENTE COMPLETO AD-21 W       | COMPLETE FRONT AD-21 W      | 1  |  |  |  |  |  |  |                         |                           |        |
|      | Q152004000          | TORNILLO APLASTADO M5x13 A304 | FLAT HEADED BOLT M5x13 A304 | 2  |  |  |  |  |  |  |                         |                           |        |
| 2    | Z203010000          | AMARRE INTERRUP. MAGNETICO    | MAGNETIC SWITCH FASTENER    | 1  |  |  |  |  |  |  |                         |                           |        |
|      | Q232030000          | ARANDELA A5                   | WASHER A5                   | 1  |  |  |  |  |  |  |                         |                           |        |
|      | Q152004000          | TORNILLO APLASTADO M5x13 A304 | FLAT HEADED BOLT M5x13 A304 | 1  |  |  |  |  |  |  |                         |                           |        |
|      | Q162030000          | TUERCA EXAGONAL M5            | HEXAGONAL NUT M5            | 2  |  |  |  |  |  |  |                         |                           |        |
| 3    | Z203009000          | INTERRUPTOR MAGNETICO         | MAGNETIC SWITCH             | 1  |  |  |  |  |  |  |                         |                           |        |
| 4    | Z213007000          | CONTACTOR 230 V. 50-60 HZ     | CONTACTOR 230 V. 50-60 HZ   | 2  |  |  |  |  |  |  |                         |                           |        |
| 5    | Z203062000          | RELE 230V. 16A 50-60 HZ       | RELAY 230V. 16A 50-60 HZ    | 1  |  |  |  |  |  |  |                         |                           |        |
| 6    | Z603025000          | REGLETA DE CONEXIONES         | CONNECTION STRIP            | 1  |  |  |  |  |  |  |                         |                           |        |
|      | Q032021000          | TORNILLO ALOMADO M4X10        | CURVED SCREW M4X10          | 1  |  |  |  |  |  |  |                         |                           |        |
|      | Q162020000          | TUERCA EXAGONAL M4            | HEXAGONAL NUT M4            | 1  |  |  |  |  |  |  |                         |                           |        |
| 7    | Z203020000          | RETENEDOR DE CABLE            | CABLE HOLDER                | 1  |  |  |  |  |  |  |                         |                           |        |
| 8    | Z203011000          | CAMARA PRESOSTATO             | PRESSURE SWITCH             | 1  |  |  |  |  |  |  |                         |                           |        |
| 9    | Z203012000          | EMPALME PRESOSTATO            | PRESSURE SWITCH CONNEX      | 1  |  |  |  |  |  |  |                         |                           |        |
| 10   | Z203013000          | TORNILLO PRESOSTATO           | PRESSURE SWITCH BOLT        | 1  |  |  |  |  |  |  |                         |                           |        |
|      | Q307003000          | JUNTA TORICA 16.01X10.77X2.62 | O-RING 16.01X10.77X2.62     | 3  |  |  |  |  |  |  |                         |                           |        |
| 11   | 3702400000          | TUBO GOMA NEGRO D 8*4         | BLACK RUBBER PIPE Ø 8*4     | 1  |  |  |  |  |  |  |                         |                           |        |
|      | P102154000          | BRIDA ELASTICA TUBO           | ELASTIC PIPE FLANGE         | 2  |  |  |  |  |  |  |                         |                           |        |
| 12   | Z433011000          | PRESOSTATO DOBLE              | DOUBLE PRESSURE SWITCH      | 1  |  |  |  |  |  |  |                         |                           |        |
| S/Nº | Z218002000          | ESCUADRA AMARRE PRESOSTATO    | PRESSURE SWITCH SQUARE      | 1  |  |  |  |  |  |  |                         |                           |        |
|      | Q082032000          | TORNILLO ALOMADO BZ-3,5X9,5   | ALOM. BOLT BZ-3,5X9,5       | 1  |  |  |  |  |  |  |                         |                           |        |
|      | Q419005000          | REMACHE 4X8 ALMG3 / ALUMINIO  | RIVET 4X8 ALMG3 / ALUMINIUM | 1  |  |  |  |  |  |  |                         |                           |        |
| 13   | Z213073000          | TARJETA 5 RELES               | CHAMBER 5 RELAY             | 1  |  |  |  |  |  |  |                         |                           |        |
|      | Q232020000          | ARANDELA A4                   | WASHER A4                   | 4  |  |  |  |  |  |  |                         |                           |        |
|      | Q242020000          | ARANDELA ABANICO A5 A.304     | FAN WASHER A4 A.304         | 4  |  |  |  |  |  |  |                         |                           |        |
|      | Q042022000          | TORN. AVELLANADO M4X15        | COUNTERSUNK BOLT M4X15      | 4  |  |  |  |  |  |  |                         |                           |        |
| 14   | Z218432000          | SOPORTE DISPLAY Tª ADVANCE    | DISPLAY Tª ADV. SUPPORT     | 1  |  |  |  |  |  |  |                         |                           |        |
|      | Q262030000          | ARANDELA GROW. A5 A.304       | WASHER GROW. A5 A.304       | 2  |  |  |  |  |  |  |                         |                           |        |
|      | Q162030000          | TUERCA EXAGONAL M5            | HEXAGONAL NUT M5            | 2  |  |  |  |  |  |  |                         |                           |        |
| 15   | Z218433000          | DISPLAY Tª ADVANCE W          | DISPLAY Tª ADVANCE W        | 1  |  |  |  |  |  |  |                         |                           |        |

|      |                          |             |  |                  |        |
|------|--------------------------|-------------|--|------------------|--------|
| MOD. | LAVAVASOS / GLASS WASHER | ZONA / ZONE | PARTE FUNCIONAL ELECTRICA<br>ELECTRICS FUNCTIONAL PART | PLANO<br>DIAGRAM | C-2836 |
|------|--------------------------|-------------|--|------------------|--------|

| ITEM | CODIGO<br>REFERENCE | DENOMINACION                  | DENOMINATION                | AD-21 W |  |  |  |  |  |  |  | ELIMINADO<br>ELIMINATED | INTRODUCID.<br>INTRODUCED | NOTAS |
|------|---------------------|-------------------------------|-----------------------------|---------|--|--|--|--|--|--|--|-------------------------|---------------------------|-------|
| 16   | Z448401000          | EMBELLECED. ADHESIVO AD-21W   | ADHES. TRIM AD-21W          | 1       |  |  |  |  |  |  |  |                         |                           |       |
| 17   | R223005000          | RESISTENCIA TANQUE            | TANK RESISTOR               | 1       |  |  |  |  |  |  |  |                         |                           |       |
| 18   | Z268004000          | SONDA TEMPERATURA GICAR       | TEMPERATURA PROBE GICAR     | 1       |  |  |  |  |  |  |  |                         |                           |       |
| 19   | Z401713000          | CAPERUZA RESISTENC. CALDERIN  | BOILER RESIST. CAP          | 1       |  |  |  |  |  |  |  |                         |                           |       |
|      | Q163140000          | TUERCA EXAGONAL M6 LATON      | HEXAGONAL NUT M6 BRASS      | 2       |  |  |  |  |  |  |  |                         |                           |       |
|      | Q242030000          | ARANDELA ABANICO A5 A.304     | FAN WASHER A5 A.304         | 2       |  |  |  |  |  |  |  |                         |                           |       |
|      | Q152004000          | TORNILLO APLASTADO M5x13 A304 | FLAT HEADED BOLT M5x13 A304 | 2       |  |  |  |  |  |  |  |                         |                           |       |
| 20   | Z421712000          | RESISTENCIA CALDERIN 2800W    | BOILER RESISTOR 2800W       | 1       |  |  |  |  |  |  |  |                         |                           |       |
|      | Q221305000          | TUERCA EXAGONAL M4 ZINCADA    | HEXAGONAL NUT M4 ZIN.       | 2       |  |  |  |  |  |  |  |                         |                           |       |
|      | Q163140000          | TUERCA EXAGONAL M6 LATON      | HEXAGONAL NUT M6 BRASS      | 5       |  |  |  |  |  |  |  |                         |                           |       |
|      | Q262040000          | ARANDELA GROW. A6 A.304       | WASHER GROW. A6 A.304       | 5       |  |  |  |  |  |  |  |                         |                           |       |
| 21   | Q307053000          | JUNTA TORICA 43.82X54.48X5.35 | "O" RING 43.82X54.48X5.35   | 1       |  |  |  |  |  |  |  |                         |                           |       |
| 22   | Z718446000          | CHAPA W 85°C                  | W 85°C PLATE                | 1       |  |  |  |  |  |  |  |                         |                           |       |
| 23   | Z393005000          | TERMOSTATO CALDERIN           | WASH DRUM THERMOSTAT        | 2       |  |  |  |  |  |  |  |                         |                           |       |
|      | Q152024000          | TORNILLO AVELLANADO M4X8 A304 | COUNTERSUNK BOLT M4X8 A304  | 2       |  |  |  |  |  |  |  |                         |                           |       |
| 24   | V817100000          | CONDENSADOR 6 M.F.            | CONDENSER 6 M.F.            | 1       |  |  |  |  |  |  |  |                         |                           |       |
| 25   | Z603602000          | SOPORTE RESISTENCIATANQUE     | TANK RESISTOR SUPPORT       | 1       |  |  |  |  |  |  |  |                         |                           |       |
|      | Q232040000          | ARANDELA A6                   | WASHER A6                   | 1       |  |  |  |  |  |  |  |                         |                           |       |
|      | Q162040000          | TUERCA EXAGONAL M6            | HEXAGONAL NUT M6            | 1       |  |  |  |  |  |  |  |                         |                           |       |
|      |                     |                               |                             |         |  |  |  |  |  |  |  |                         |                           |       |
|      |                     |                               |                             |         |  |  |  |  |  |  |  |                         |                           |       |
|      |                     |                               |                             |         |  |  |  |  |  |  |  |                         |                           |       |
|      |                     |                               |                             |         |  |  |  |  |  |  |  |                         |                           |       |
|      |                     |                               |                             |         |  |  |  |  |  |  |  |                         |                           |       |
|      |                     |                               |                             |         |  |  |  |  |  |  |  |                         |                           |       |
|      |                     |                               |                             |         |  |  |  |  |  |  |  |                         |                           |       |
|      |                     |                               |                             |         |  |  |  |  |  |  |  |                         |                           |       |

MOD.

LAVAVASOS / GLASS WASHER

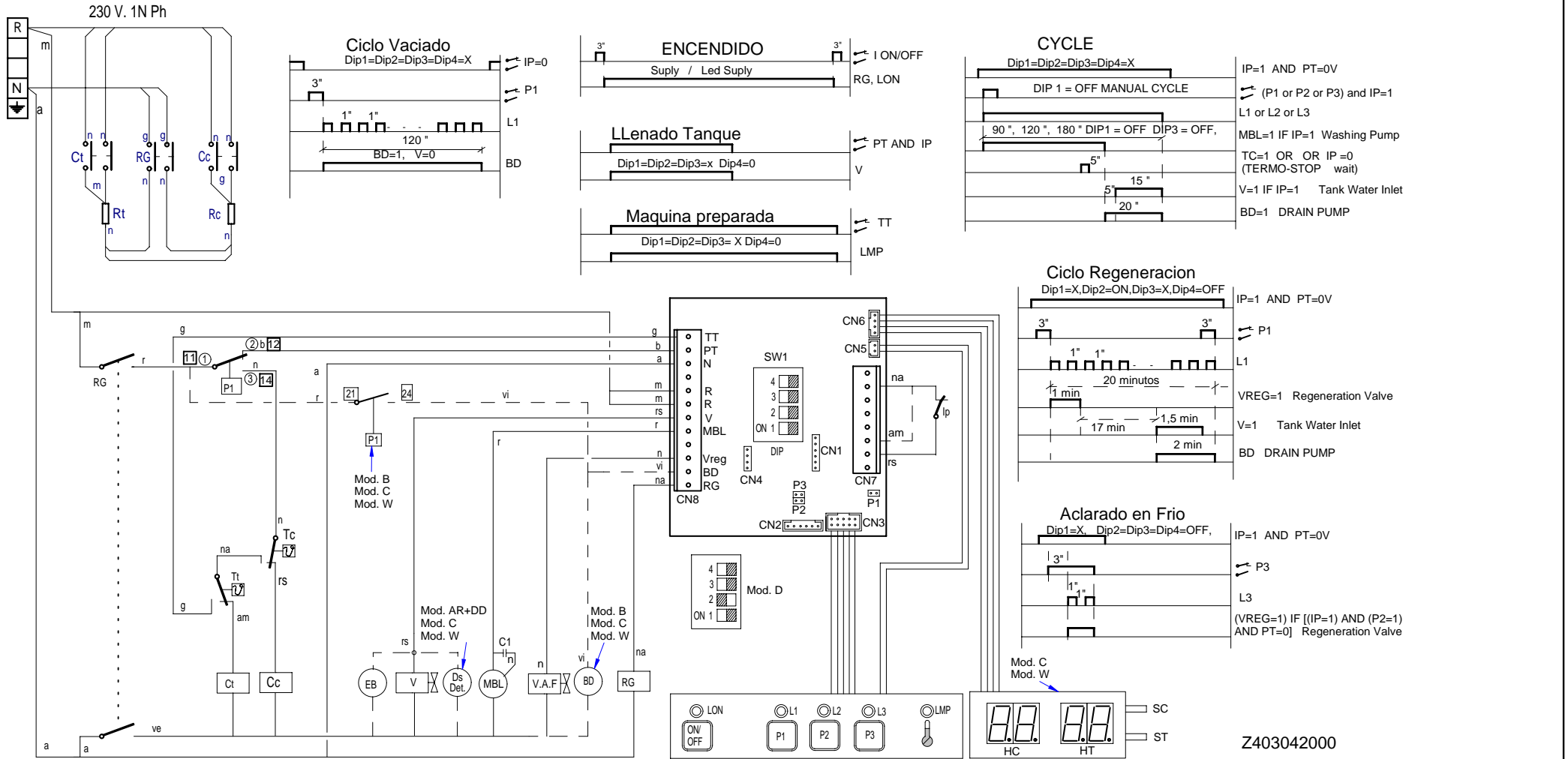
ZONA / ZONE


VARIOS / MISCELLANEOUS

PLANO  
DIAGRAM

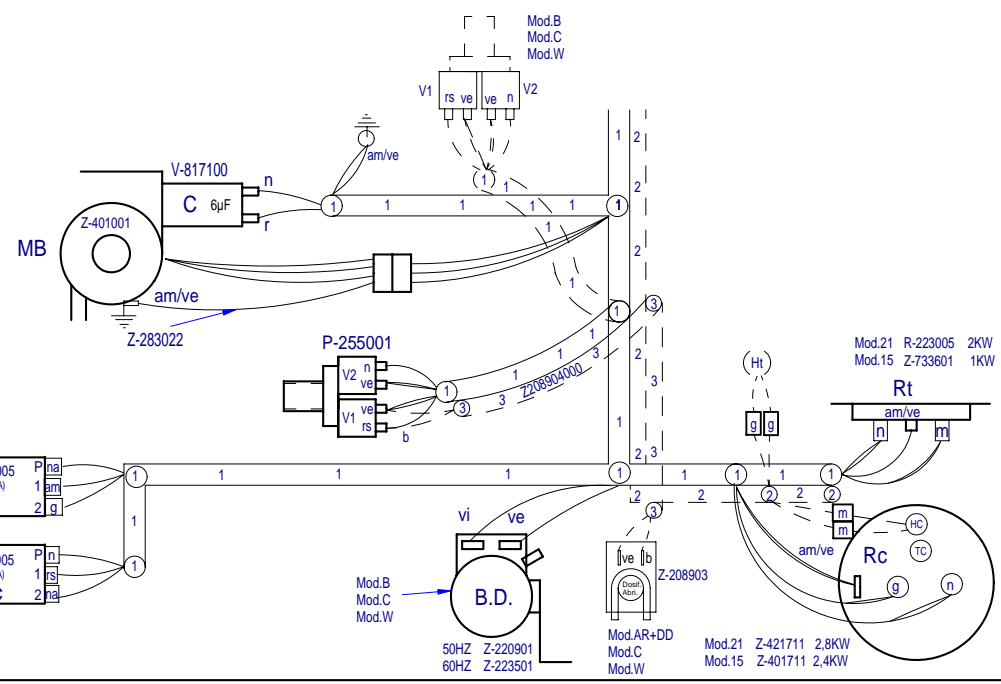
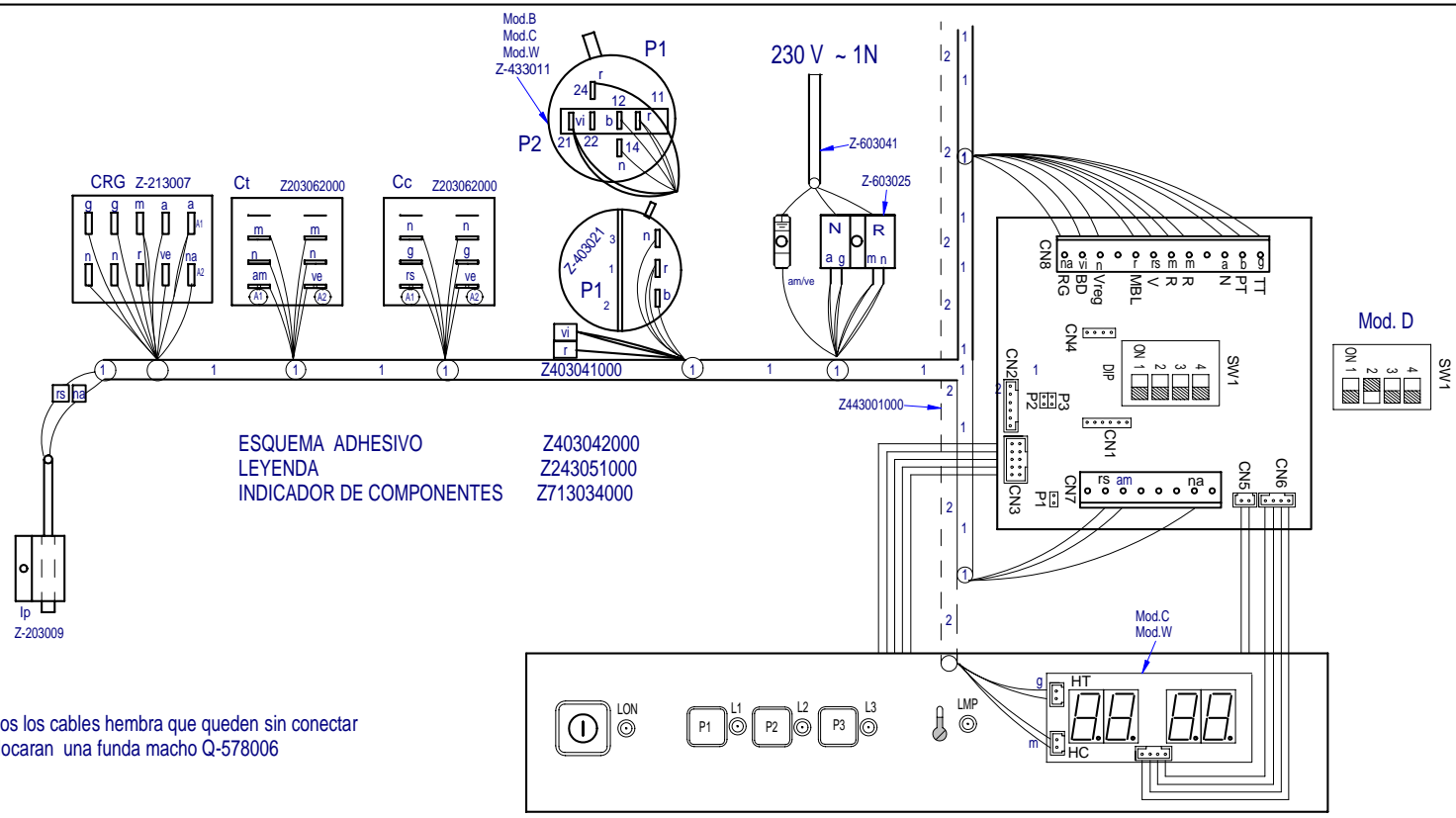
| ITEM | CODIGO<br>REFERENCE | DENOMINACION                  | DENOMINATION              | AD-21 W |  |  |  |  |  |  |  |  | ELIMINADO<br>ELIMINATED | INTRODUCID.<br>INTRODUCED | NOTAS          |
|------|---------------------|-------------------------------|---------------------------|---------|--|--|--|--|--|--|--|--|-------------------------|---------------------------|----------------|
|      | Z448606000          | FOLLETO INSTRUCCIONES AD-21W  | INSTRUCTION LEAFL. AD-21W | 1       |  |  |  |  |  |  |  |  |                         |                           |                |
|      | Z403042000          | ESQUEMA TEORICO LAVAVA.AD     | THEORETICAL DIAGRAM AD    | 1       |  |  |  |  |  |  |  |  |                         |                           | PLANO HC-18213 |
|      | Z403043000          | ESQUEMA MONTAJE LAVAVA AD     | ASSEMBLY DIAGRAM AD       | 1       |  |  |  |  |  |  |  |  |                         |                           | PLANO HC-18214 |
|      | Z403041000          | INSTALACION ELEC. LAVAVAS. AD | ELEC. INSTALATION AD      | 1       |  |  |  |  |  |  |  |  |                         |                           |                |
|      | Z228436000          | CABLE ALIMENTACION USA        | SUPPLY CABLE USA          | 1       |  |  |  |  |  |  |  |  |                         |                           |                |
|      | Z268009000          | CABL. CONEXIÓN SONDAS GICAR   | GICAR CONNECTION WIRING   | 1       |  |  |  |  |  |  |  |  |                         |                           |                |
|      | Z218434000          | CABLE CONEXION DISPLAY W      | W DISPLAY CONNec. WIRING  | 1       |  |  |  |  |  |  |  |  |                         |                           |                |
|      | Z283022000          | CABLEADO TIERRA M.BOMBA       | PUMP LAND WIRING          | 1       |  |  |  |  |  |  |  |  |                         |                           |                |
|      |                     |                               |                           |         |  |  |  |  |  |  |  |  |                         |                           |                |
|      |                     |                               |                           |         |  |  |  |  |  |  |  |  |                         |                           |                |
|      |                     |                               |                           |         |  |  |  |  |  |  |  |  |                         |                           |                |
|      |                     |                               |                           |         |  |  |  |  |  |  |  |  |                         |                           |                |
|      |                     |                               |                           |         |  |  |  |  |  |  |  |  |                         |                           |                |
|      |                     |                               |                           |         |  |  |  |  |  |  |  |  |                         |                           |                |
|      |                     |                               |                           |         |  |  |  |  |  |  |  |  |                         |                           |                |
|      |                     |                               |                           |         |  |  |  |  |  |  |  |  |                         |                           |                |
|      |                     |                               |                           |         |  |  |  |  |  |  |  |  |                         |                           |                |
|      |                     |                               |                           |         |  |  |  |  |  |  |  |  |                         |                           |                |
|      |                     |                               |                           |         |  |  |  |  |  |  |  |  |                         |                           |                |
|      |                     |                               |                           |         |  |  |  |  |  |  |  |  |                         |                           |                |
|      |                     |                               |                           |         |  |  |  |  |  |  |  |  |                         |                           |                |
|      |                     |                               |                           |         |  |  |  |  |  |  |  |  |                         |                           |                |
|      |                     |                               |                           |         |  |  |  |  |  |  |  |  |                         |                           |                |
|      |                     |                               |                           |         |  |  |  |  |  |  |  |  |                         |                           |                |
|      |                     |                               |                           |         |  |  |  |  |  |  |  |  |                         |                           |                |
|      |                     |                               |                           |         |  |  |  |  |  |  |  |  |                         |                           |                |
|      |                     |                               |                           |         |  |  |  |  |  |  |  |  |                         |                           |                |
|      |                     |                               |                           |         |  |  |  |  |  |  |  |  |                         |                           |                |
|      |                     |                               |                           |         |  |  |  |  |  |  |  |  |                         |                           |                |

# AD 15, AD 21, AD 15 B, AD 21 B, AD 15 D, AD 21 D, AD 15 C, AD 21 C, AD 21 AR+DD, AD 21 W



| Esquema teorico LAVAVASOS AD |                         |   |                    | Z403042000   |   |                    |            |  |
|------------------------------|-------------------------|---|--------------------|--|---|--------------------|------------|--|
| Zk./Nº                       | Pieza                   | Cant.   | Materiala/Material | Klas. zk/Nº Clas.  | Gainazal akabera/Tratamiento              |                    |            |  |
| Zk./Nº                       | Aldaketa/Modificaciones | Nork proposatua/Propuesta de                                      |                    | Data/Fecha   | Perdoi orokorrak<br>Tolerancias generales |                    |            |  |
| -                            | -                       | -   | -                  | -  | < 5 ± 0.2                                 | 50 ÷ 100 ± 0.8     |            |  |
| -                            | -                       | -   | -                  | -  | 5 ÷ 25 ± 0.4                              | >100 ± 1           |            |  |
| -                            | -                       | -   | -                  | -  | 25 ÷ 50 ± 0.6                             | α ± 1              |            |  |
| Sinadura/Firma               |                         | Data/Fecha  |                    | <b>FAGOR</b> <br>Fagor Industrial, Koop. Elk. Mugatua |   |                    |            |  |
| Marraztua/Dibujado           |                         | M. Mailló   |                    |  |   |                    | 30-05-2009 |  |
| Proiektatua/Proyectado       |                         | M. Mailló   |                    |  |   |                    | 30-05-2009 |  |
| Egiatzatua/Comprobado        |                         | <i>Z. Alube</i>   |                    | 30-05-2009   |   | -                  |            |  |
| Eskala/Escala                |                         | <b>LAVAVASOS</b>  |                    |  |   | Plano Zk./Plano Nº |            |  |
| -                            |                         |   |                    |  |   | HC - 18213         |            |  |
| -                            |                         | Plano hau ezin daiteke erabili, ez berrizatu, gure baimenik gabe. |                    |  |   | Zk. ord. du        |            |  |
| -                            |                         | -   |                    |  |   | Zk. gaitik ord.    |            |  |





|                               |              |                       |  |
|-------------------------------|--------------|-----------------------|--|
| Plano montaje LAVAVASOS GICAR |              | Z403043000            |  |
| Nº                            | Pieza        | Material              | Nº Clasificación                         |
| Nº                            | Modificación | Propuesta de          | Fecha                                    |
|                               |              | Tolerancias generales |  |
|                               |              | < 5 ±                 | 50-100 ±                                 |
|                               |              | 5-25 ±                | > 100 ±                                  |
|                               |              | 25-60 ±               | ∞ ±                                      |
| Dibujado                      | Firma        | Fecha                 | <br>Fagor Industrial, Koop, Elk, Mugatua |
| Proyectado                    | M. Maillou   | 28-05-2009            |  |
| Comprobado                    | M. Maillou   | 28-05-2009            |  |
| Escala                        | Z. Altube    | 28-05-2009            |  |
| LAVAVASOS                     |              |                       | Plano numero                             |
|                               |              |                       | HC-18214 - 00                            |
|                               |              |                       | Sustituye al Nº                          |
|                               |              |                       | Sustituido por                           |

Plano hau ez daiteke erabili ez berrizta gure baimenitz gabe

# LEYENDA APERTURA FRONTAL

|            | ESPAÑOL                           | FRANÇAIS                        | ENGLISH                      | DEUTSCH                                     | ITALIANO                                |
|------------|-----------------------------------|---------------------------------|------------------------------|---|---|
| BD         | Bomba desagüe                     | Pompe de vidange                | Drain pump                   | Abflußpumpe                                 | Pompa scarico                           |
| C 1/2/3    | Condensador                       | Condensateur                    | Condenser                    | Kondensator                                 | Condensatore                            |
| CMB        | Contactora bomba lavado           | Contacteur pompe lavage         | Wash pump contactor          | Kontaktschütz Waschpumpe                    | Contattore pompa lavaggio               |
| Cc 1/2     | Contactora calentamiento calderin | Contacteur chauff. surchauffeur | Boiler heating contactor     | Kontaktschütz Boilerheizung                 | Contattore riscaldamento boiler         |
| Ct         | Contactora calentamiento tanque   | Contacteur chauffage cuve       | Tank heating contactor       | Kontaktschütz Heizung Tank                  | Contattore riscaldamento serbatoio      |
| CP         | Rele puerta                       | Relais porte                    | Door relay                   | Türrelais                                   | Rele porta                              |
| Ds.Det.    | Dosificador detergente            | Dosseur de detergent            | Detergent doser              | Dosierer Spülmittel                         | Dosatore detersivo                      |
| E.B        | Electrobomba de presion           | Electropompe de pression        | Electric pressure pump       | Elektro-Drucksteigerungspumpe               | Electropompa pressione                  |
| IG         | Interruptor general               | Interrupteur general            | Main switch                  | Hauptschalter                               | Interruttore generale                   |
| IP         | Micro puerta                      | Micro porte                     | Door microswitch             | Mikroschalter Tür                           | Micro porta                             |
| L1         | Piloto de encendido               | Voyant fonctionnement           | Operation light              | Betriebsanzeigelampe                        | Spia accensione                         |
| L2         | Piloto marcha                     | Voyant demarrage                | Start light                  | Startanzeigelampe                           | Spia avvio                              |
| L3         | Piloto maquina preparada          | Voyant machine prêt             | Light machine ready          | Betriebsbereitschaftsanzeigelampe           | Pilota macchina preparata               |
| MBL        | Bomba lavado                      | Pompe lavage                    | Wash pump                    | Waschpumpe                                  | Pompa lavaggio                          |
| M          | Motor programador                 | Moteur du programmeur           | Motor programmer             | Motor Programmiervorrichtung                | Motore programmatore                    |
| M Av. R    | Motor program. avance rapido      | Moteur du progr.avance rapide   | Motor program. rapid advance | Motor Programmiervorrich. schneller Vorlauf | Motore programmatore avanzamento rapido |
| M1         | Micro programador marcha          | Micro du programm. de marche    | Micro programmer on          | Motor Programmiervorrich. Betrieb           | Micro programma. di funzionamento       |
| M2         | Micro programador lavado          | Micro du programm. de lavage    | Micro programmer wash        | Motor Programmiervorrich. Waschen           | Micro programmatore di lavaggio         |
| M3         | Micro programador aclarado        | Micro du programm. de rinçage   | Micro programmer on          | Motor Programmiervorrich. Spülen            | Micro programmatore di risciacquo       |
| M4         | Micro programador Termo-stop      | Micro du programm. Termo-stop   | Micro programmer Termo-stop  | Motor Programmiervorrich. Thermo-Stop       | Micro programmatore Termo-stop          |
| M5         | Micro programador avance          | Micro du programm. avance       | Micro programmer advance     | Motor Programmiervorrich. Vorlauf           | Micro programmatore avanzamento         |
| P, P1, P5  | Presostato                        | Pressostat                      | Pressure switch              | Druckwächter                                | Pressostato                             |
| P2, P3, P4 | Presostato limitador              | Pressostat de securité          | Hi-limit pressure switch     | Begrenzer Druckwächter                      | Pressostato limitatore                  |
| RC         | Resistencia calderin              | Resistance surchauffeur         | Boiler heating element       | Heizwiderstand Boiler                       | Resistenza boiler                       |
| RT         | Resistencia tanque                | Resistance cuve                 | Tank heater                  | Heizwiderstand Tank                         | Resistenza serbatoio                    |
| Tt         | Termostato tanque                 | Thermostat de cuve              | Tank thermostat              | Thermostat Tank                             | Termostato serbatoio                    |
| TC         | Termostato calderin               | Thermostat surchauffeur         | Boiler thermostat            | Thermostat kessel                           | Termostato boiler                       |
| TSC        | Limitador calderin                | Limiteur surchauffeur           | Boiler Hi-limit              | Begrenzer Boiler                            | Limitatore boiler                       |
| TSTP       | Termostato termo-stop             | Thermostat Termo-stop           | Termo-stop Thermostat        | Thermostat Termo-stop                       | Termostato Termo-stop                   |
| V          | Electrovalvula llenado y aclarado | Electrovan. remplissage rinçage | Fill and rinse valve         | Elektroventil Füllen und Spülen             | Elettroval. riempimento e risciacquo    |
| COLOR      | COLORES                           | COULEURS                        | COLOUR                       | FARBEN                                      | COLORE                                  |
| a =        | Azul                              | Bleu                            | Blue                         | Blau  | Blu                                     |
| am =       | Amarillo                          | Jaune                           | Yellow                       | Gelb  | Giallo                                  |
| am/ve =    | Amarillo/verde                    | Jaune / vert                    | Yellow / green               | Gelb/grün                                   | Giallo/verde                            |
| b =        | Blanco                            | Blanc                           | White                        | Weiß  | Bianco                                  |
| g =        | Gris                              | Gris                            | Grey                         | Grau  | Grigio                                  |
| m =        | Marrón                            | Marron                          | Brown                        | Braun                                       | Marrone                                 |
| n =        | Negro                             | Noir                            | Black                        | Schwarz                                     | Nero                                    |
| na =       | Naranja                           | Orange                          | Orange                       | Orange                                      | Arancio                                 |
| r =        | Rojo                              | Rouge                           | Red                          | Rot   | Rosso                                   |
| rs =       | Rosa                              | Rose                            | Pink                         | Rosa  | Roseo                                   |
| ve =       | Verde                             | Vert                            | Green                        | Grün  | Verde                                   |
| vi =       | Violeta                           | Violet                          | Purple                       | Violett                                     | Viola                                   |

Z243051000