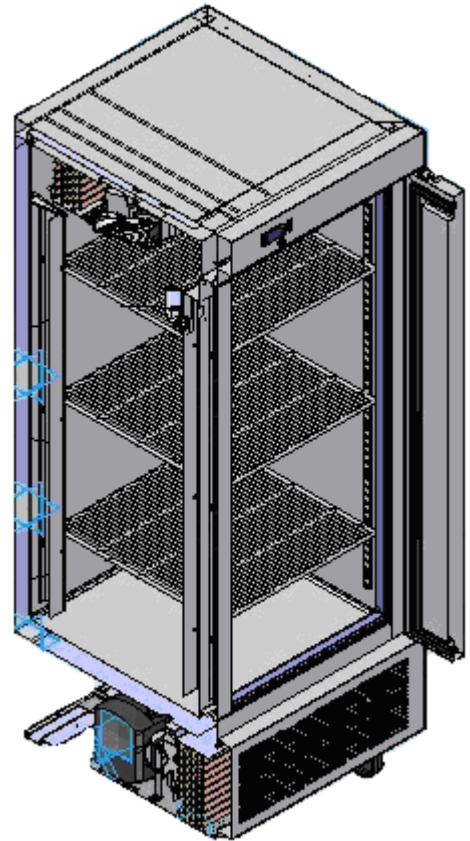
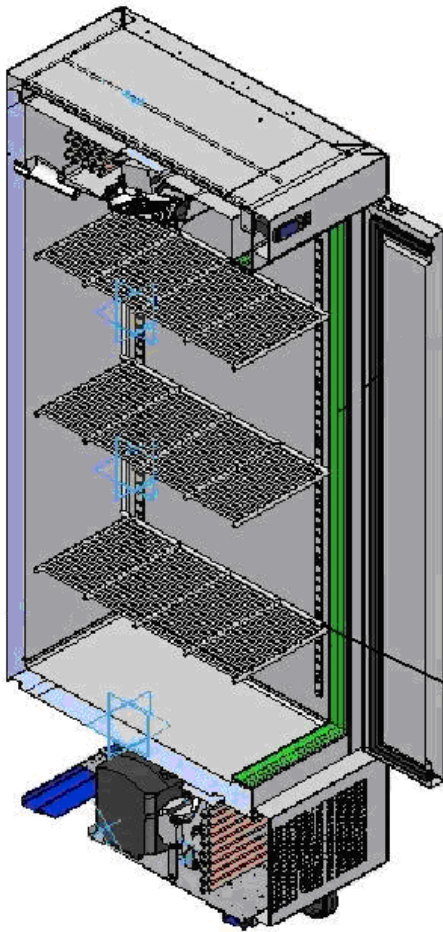


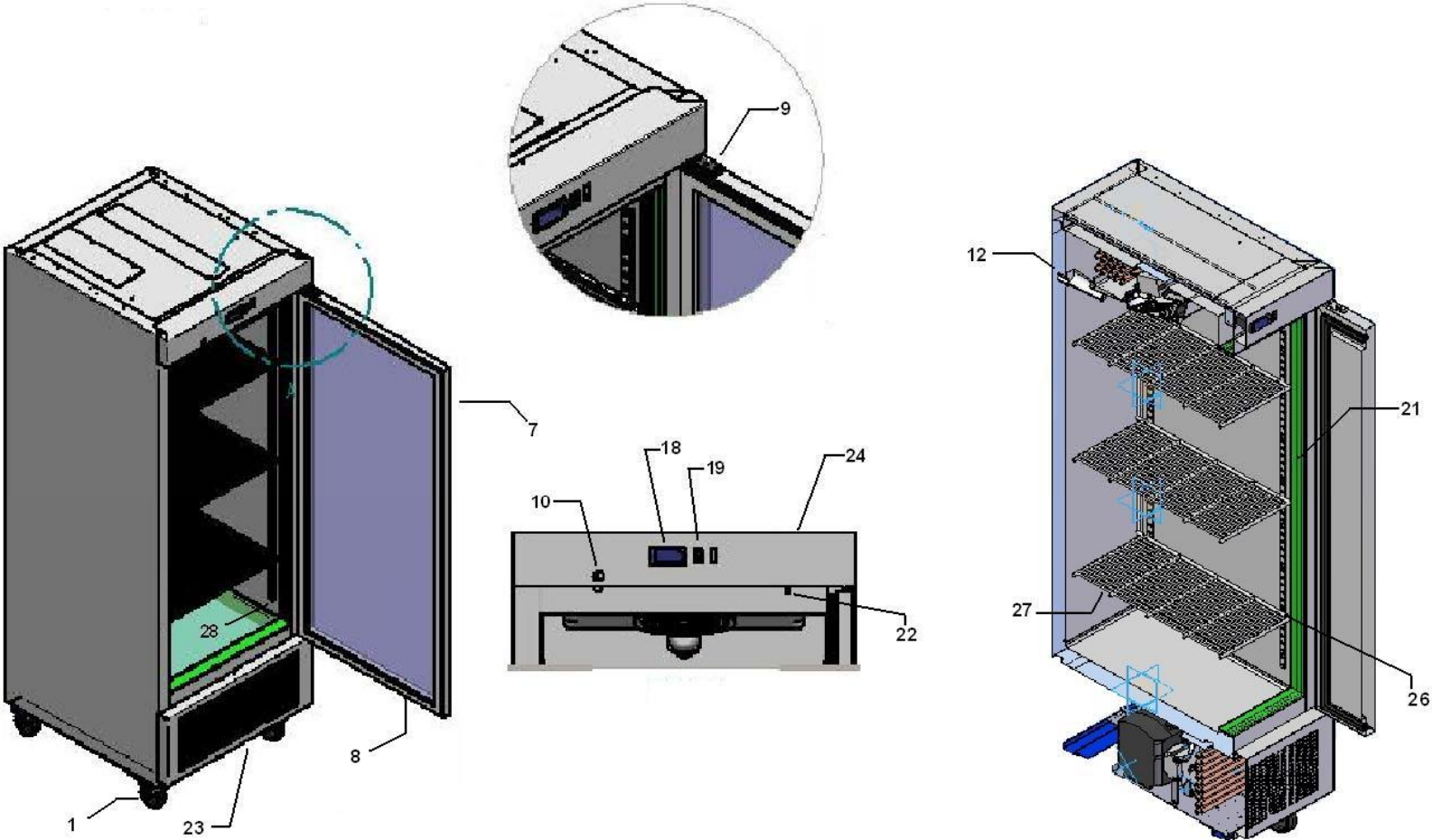


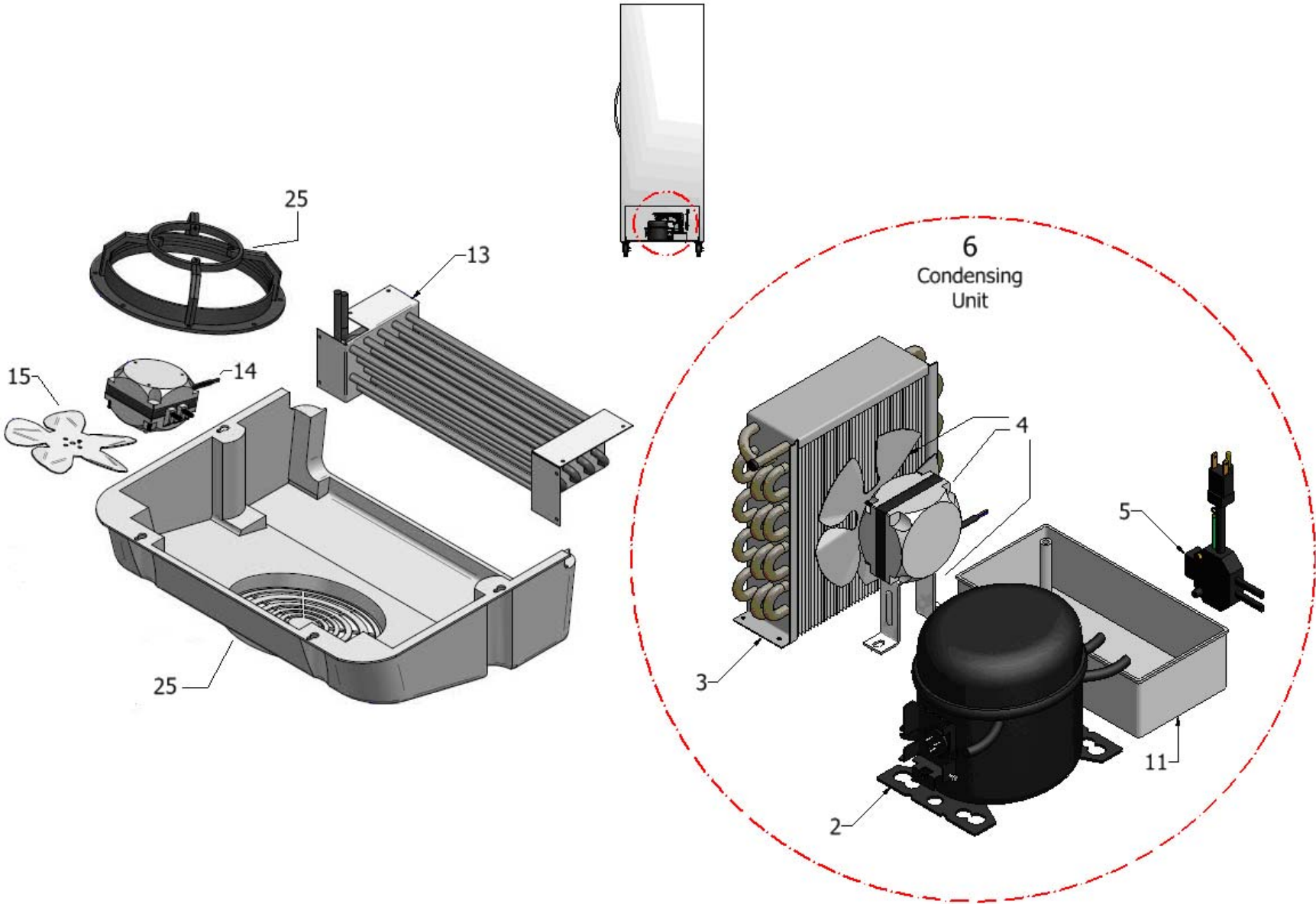
## PARTS BREAKDOWNS

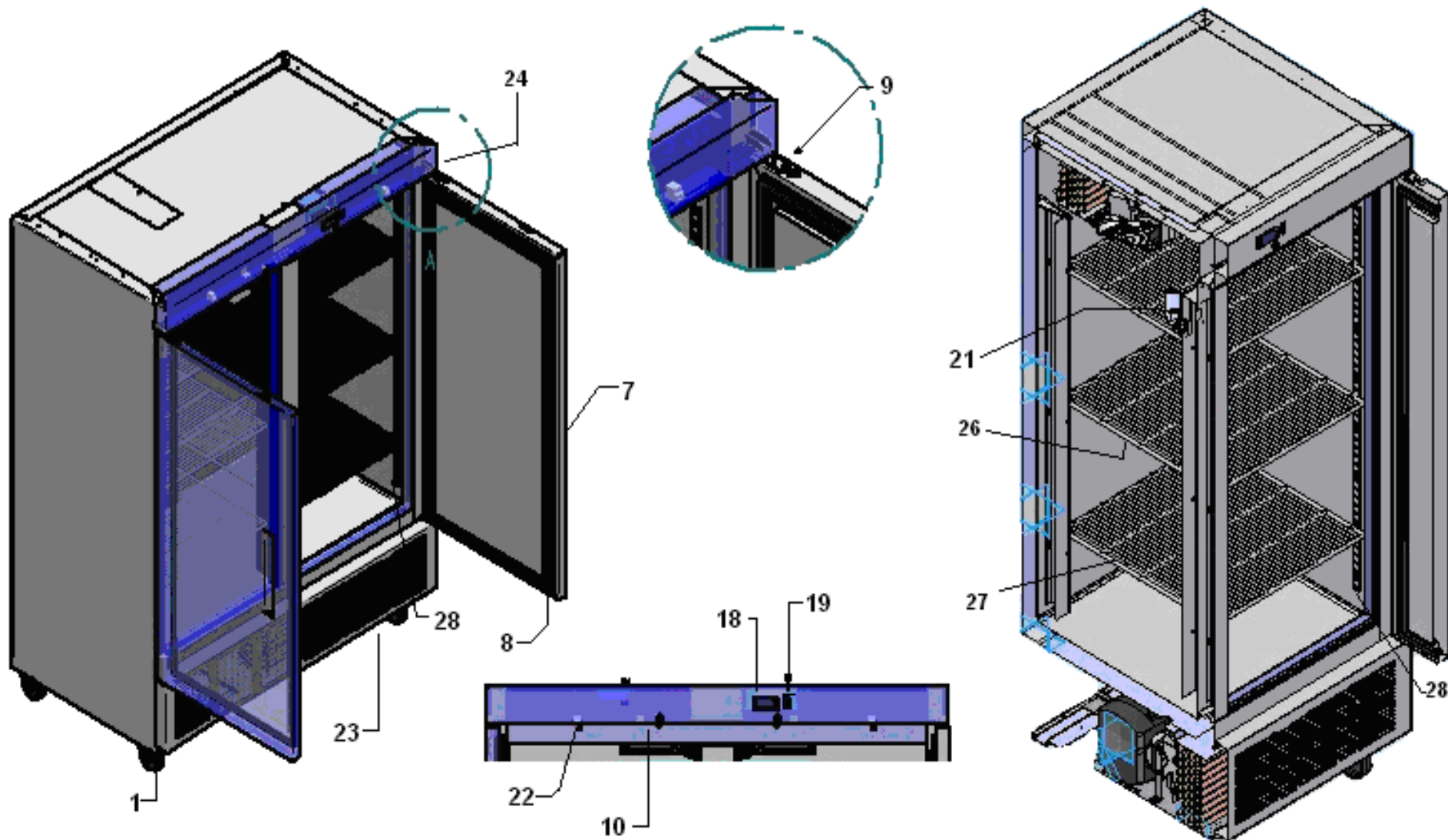
### ED's 2010 MODELS (June 2010)

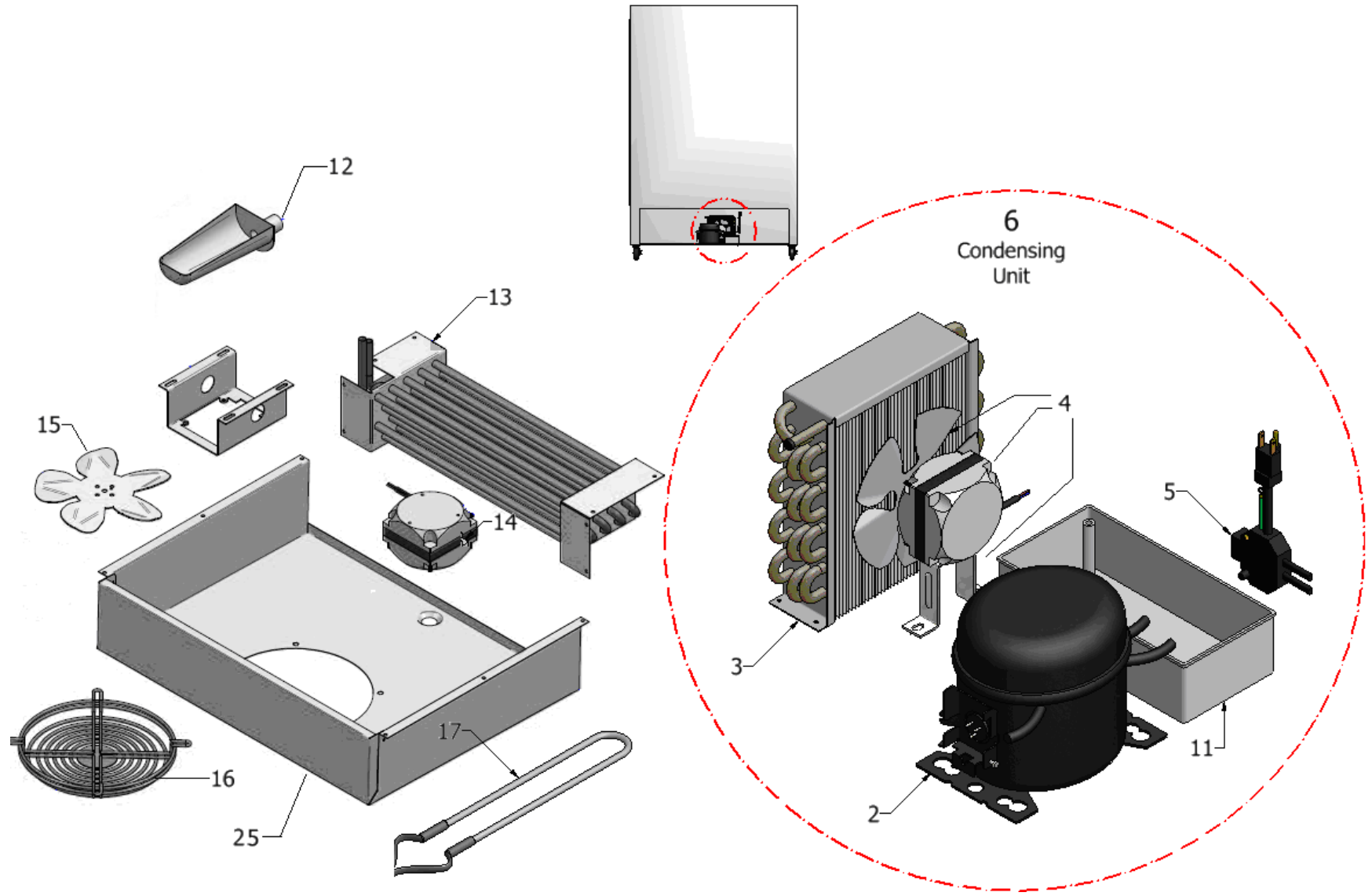


1 PARTS BREAKDOWNS











**PARTS BREAKDOWNS SERVICE**

ITEM	Part #	Description	Dates		EDR1-D	EDR2-D	EDF1-D	EDF2-D	EDR1G-D	EDR2G-D
			Expiration	Effective						
<b>Castors &amp; Legs</b>										
<b>1</b>	603313M0001	Castor w/o brake D.4"			2	2	2	2	2	2
	603313M0002	Castor with brake D.4"			2	2	2	2	2	2
	603313M0010	Leg 6"								
	M10917M0036	Shim for leveling			8	8	8	8	8	8
	M10917M0054	Tool to install castors			1	1	1	1	1	1
<b>Compressors</b>										
<b>2</b>	602101M0019	Compressor NE6170Z			1				1	
	602101M0020	Compressor NE6187Z				1				1
	602101M0017	Compressor NEK2150					1			
	602101M0031	Compressor T2178GK						1		
	6021010007	Compressor FR-8.5G 220V			1				1	
	6021010008	Compressor .SC-12-G R134A 220V				1				1
	602101M0004	Compressor NEK2150GK 220V/60Hz					1			
	602101M0030	Compressor T-2178GK 220V 60 Hz						1		
	602101M0062	Compressor. T2178-GK 220V 50 Hz						1		
	6021010002	Compressor. SC-15-CL R404A 50Hz					1			
	602101M0034	Start Kit for compressor NE6170Z			1				1	
	602101M0035	Start Kit for compressor NE6187Z				1				1
	602101M0036	Start Kit for compressor NEK2150					1			
	602101M0061	Start Kit for compressor T2178GK						1		
	602101M0038	Start Kit for compressor SC-15 CL					1			
	602101M0071	CONTC6623-90-245 2P 30AMP 115V			1	1	1	1	1	1
	604701M0001	Filter			1	1	1	1	1	1

**PARTS BREAKDOWNS SERVICE**

ITEM	Part #	Description	Dates		EDR1-D	EDR2-D	EDF1-D	EDF2-D	EDR1G-D	EDR2G-D
			Expiration	Effective						
<b>Condensers &amp; Others</b>										
<b>3</b>	6029020002	Condenser Coil			1				1	
	6029020011	Condenser Coil				1				1
	602902M0008	Condenser Coil					1			
	6029020016	Condenser Coil						1		
<b>4</b>	602105M0003	Fan Condenser 120V			1	1	1		1	1
	602105M0022	Fan Condenser 18W 120V					1	2		
	602105M0024	Fan Condenser 18W 220V					1	2		
	602105M0007	Fan Condenser 220V			1	1			1	1
	A10917M0080	Bracket Fan Condenser Reach-ins			1	1	1	2	1	1
	602105M0010	Fan Blade Condenser Reach-ins			1	1	1	2	1	1
<b>5</b>	602145M0008	Power cord			1	1	1	1	1	1
<b>Condensing Units</b>										
<b>6</b>	A17301M0012	Condensing Unit 120V						1		
	A17301M0011	Condensing Unit 220V 60Hz						1		
	A17301M0021	Condensing Unit 220V 50Hz						1		
	A17301M0002	Condensing Unit 120V			1				1	
	A17301M0003	Condensing Unit 120V				1				1
	A17301M0006	Condensing Unit 120V 60Hz					1			
	A17301M0010	Condensing Unit 220V 60Hz					1			
	A17301M0009	Condensing Unit 220V								1
	A17301M0007	Condensing Unit 220V			1				1	
<b>Doors &amp; Others</b>										
<b>7</b>	603107M0013	Door							1	2
	A16901M0057	Door			1	2	1	2		

**PARTS BREAKDOWNS SERVICE**

ITEM	Part #	Description	Dates		EDR1-D	EDR2-D	EDF1-D	EDF2-D	EDR1G-D	EDR2G-D
			Expiration	Effective						
<b>8</b>	604501M0010	Gasket Door			1	2	1	2	1	2
<b>9</b>	6033010003	Hinge			2	4	2	4	2	4
<b>10</b>	603301M0056	Lock (Master key)			1	2	1	2	1	2
<b>Drain</b>										
<b>11</b>	6003010023	Drain Pan			1	1	1	1	1	1
<b>12</b>	6003010184	Drain Tube Grey								
	600301M0007	Drain Tube Black					1	1		
<b>Evaporators &amp; Others</b>										
<b>13</b>	A129010010	Evaporator Coil			1				1	
	602901M0016	Evaporator Coil				1				1
	A129010005	Evaporator Coil					1			
	602901M0008	Evaporator Coil						1		
<b>14</b>	602105M0003	Fan evaporator 120V 50/60Hz			1	1	1	2	1	1
	602105M0007	Fan Evaporator 220V 50/60Hz			1	1	1	2	1	1
<b>15</b>	602105M0012	Fan Blade Evaporator								
	600305M0074	Fan Blade Evaporator			1	1	1	2	1	1
<b>16</b>	602713M0001	Grid Fan evaporator								
	602713M0002	Grid Fan evaporator					1	2		
<b>17</b>	602125M0008	Heater Evaporator Defrost					1			
	6021250019	Heater Evaporator Defrost 220V					1			
	6021250001	Heater Evaporator Drain 220v					1	1		
	602125M0014	Heater Drain					1	1		
	602125M0046	Heater Evaporator Defrost						1		
	602125M0056	Heater Evaporator Defrost 220V						1		



**PARTS BREAKDOWNS SERVICE**

TEM	Part #	Description	Dates		EDR1-D	EDR2-D	EDF1-D	EDF2-D	EDR1G-D	EDR2G-D
			Expiration	Effective						
<b>Controllers</b>										
<b>18</b>	602135M0025	Controller Electronic Freezers					1	1		
	602165M0024	Controller Electronic Refrigeration			1	1			1	1
<b>19</b>	602113M0001	Rocker Switch 20 Amp			1	1	1	1	1	1
<b>20</b>	602135M0026	Probe Chamber Controller			1	1	1	2	1	1
<b>Lighting</b>										
<b>21</b>	602125M0048	Light Bulb			1	1	1	1		
	602125M0047	Screw-in bulb holder			1	1	1	1		
	600305M0072	Plastic Light bulb cover			1	1	1	1		
	602129M0022	Light Led							2	4
	A10717M0013	Plastic Light Led cover							2	4
<b>22</b>	602113M0002	Door Light Switch 5 Amp.			1	2	1	2	1	2
<b>Panels</b>										
<b>23</b>	A10913M0282	Front Bottom Panel							1	
	A10913M0283	Front Bottom Panel								1
	A10913M0231	Front Bottom Panel			1		1		1	
	A10913M0232	Front Bottom Panel				1		1		1
<b>24</b>	A10913M0226	Front Top Panel							1	
	A10913M0262	Front Top Panel								1
	A10913M0192	Front Top Panel			1		1			
	A10913M0209	Front Top Panel				1		1		

**PARTS BREAKDOWNS SERVICE**

ITEM	Part #	Description	Dates		EDR1-D	EDR2-D	EDF1-D	EDF2-D	EDR1G-D	EDR2G-D
			Expiration	Effective						
<b>Evaporator's cover</b>										
<b>25</b>	A10901M0002	Evaporator's cover								
	A10905M0150	Evaporator's cover								
	A109050180	Evaporator's cover					1			
	A109050182	Evaporator's cover						1		
	600305M0085	Evaporator's cover			1				1	
	600305M0088	Fan Support			1	1			1	1
	600305M0068	Evaporator's cover				1				1
<b>Shelves</b>										
<b>26</b>	603305M0016	Shelf Support Clip		May-2011	12	24	12	24	12	24
	603301M0005	Shelf Support Rail	May-2011							
<b>27</b>										
	602701M0001	Rack			3	6	3	6	3	6
<b>28</b>	A10713M0003	Pilaster	May-2011							
	603305M0015	Pilaster		May-2011	4	8	4	8	4	8
<b>Handles</b>										
<b>29</b>	600301M0020	Handle for Glass Door							1	2
<b>Hardware</b>										
	6025090009	Bolt Hex. M.4								
	602505M0014	Bolt Finger Grip M.4								
<b>Capillary Tubes</b>										
	A10702M0001	Dia.0.041 in X 11.811 ft			1				1	
	A10702M0002	Dia.0.054 in X 4.921 ft				1				1
	A10702M0003	Dia.0.041 in X 11.482 ft					1			
	A10702M0004	Dia.0.041 in X 4.921 ft						1		