

---

Parts Breakdown

---

Lavavastos  
Lavevaisselle  
Dishwasher  
Geschirrspüler  
Lavastoviglie

Models:

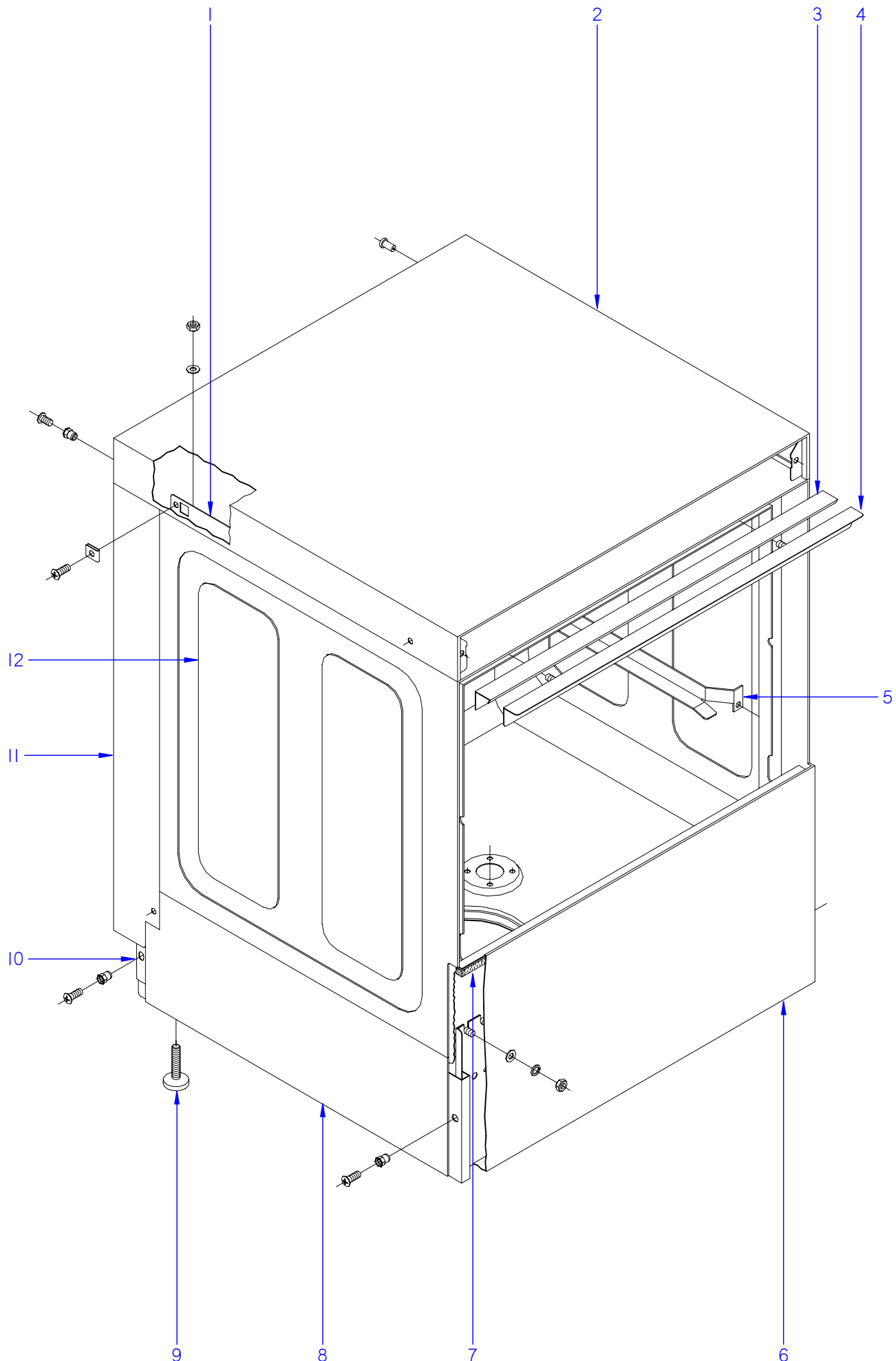
**LVC-21W**

*Octubre 2009 October*

*Revisado Mayo 2010*



**Fagor Industrial**

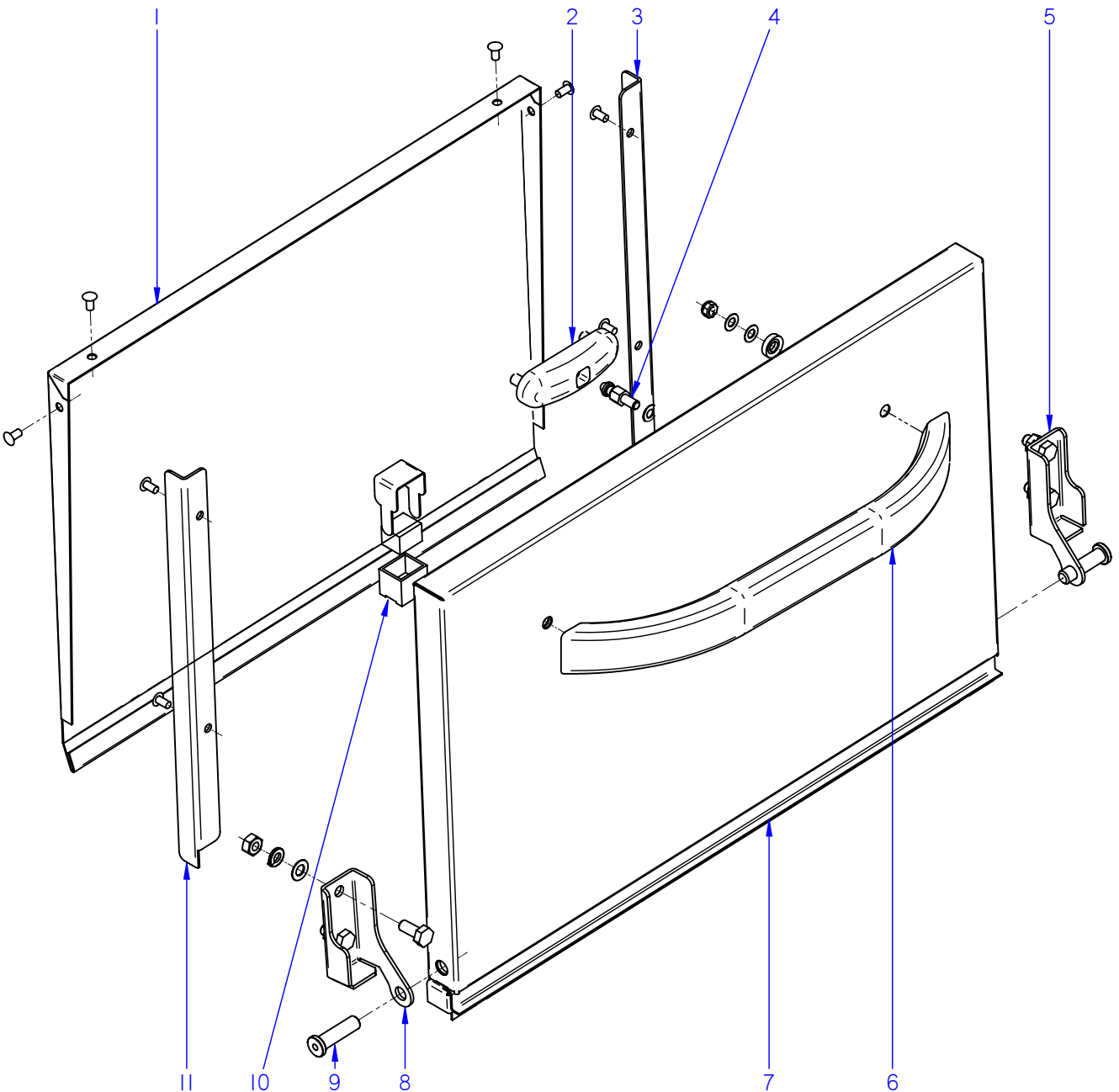


ITEM MARCADO EN COLOR = REPUESTO RECOMENDADO  
 COLOURED ITEM = RECOMMENDED SPARE PART

|         |                    |         |               |        |        |                                       |
|---------|--------------------|---------|---------------|--------|--------|---------------------------------------|
| N plano | Firma              | Fecha   | Aparato       | MUEBLE | Lamina | Fagor Industrial S.Coop. <b>FAGOR</b> |
| C-2110  | <i>[Signature]</i> | 2009-10 | LAVAVASOS LVC |        | 1      | Oñate                                 |

| MOD. |            | LAVAVASOS                      |                             | ZONA   |        | MUEBLE  |        |         |         |         | PLANO   |                   | C-2110 |
|------|------------|--------------------------------|-----------------------------|--------|--------|---------|--------|---------|---------|---------|---------|-------------------|--------|
| ITEM | CODE       | DENOMINACION                   | TEXT                        | LVC-12 | LVC-15 | LVC-15D | LVC-21 | LVC-21D | LVC-21B | LVC-21C | LVC-21W | NOTES             |        |
| 1    | Z410309000 | ESCUADRA AMARRE TAPA 12-15     | FASTENING BRACKET COVER TA  | 2      | 2      | 2       | -      | -       | -       | -       | -       | Expired. 29.01.10 |        |
| 1    | Z410317000 | ESCUADRA AMARRE TAPA 12-15     | FASTENING BRACKET COVER TA  | 2      | 2      | 2       | -      | -       | -       | -       | -       | Active 29.01.10   |        |
| 1    | Z420318000 | ESCUADRA AMARRE TAPA 21        | COVER FASTENING BRACKET 21  | -      | -      | -       | 2      | 2       | 2       | 2       | 2       | Expired 29.01.10  |        |
| 1    | Z420319000 | ESCUADRA AMARRE TAPA 21        | COVER FASTENING BRACKET 21  | -      | -      | -       | 2      | 2       | 2       | 2       | 2       | Active 29.01.10   |        |
|      | Q232040000 | ARANDELA A6                    | WASHER A6                   | 4      | 4      | 4       | 4      | 4       | 4       | 4       | 4       |                   |        |
|      | Q162040000 | TUERCA EXAGONAL M6             | HEXAGONAL NUT M6            | 4      | 4      | 4       | 4      | 4       | 4       | 4       | 4       |                   |        |
|      | Q221012000 | TUERCA RAPIDA M,5              | RAPID NUT M,5               | 6      | 6      | 6       | 6      | 6       | 6       | 6       | 6       |                   |        |
| 2    | Z402904000 | TAPA R10-14-C12-15             | COVER R10-14-C12-15         | 1      | 1      | 1       | -      | -       | -       | -       | -       |                   |        |
| 2    | Z422904000 | TAPA R20-C21                   | COVER R20-C21               | -      | -      | -       | 1      | 1       | 1       | 1       | 1       |                   |        |
|      | Q152004000 | TORNILLO APLASTADO M5x13 A304  | FLAT HEADED BOLT M5x13 A304 | 10     | 10     | 10      | 10     | 10      | 10      | 10      | 10      |                   |        |
| 3    | Z400315000 | PERFIL CAJA                    | BOX PROFILE                 | 1      | 1      | 1       | -      | -       | -       | -       | -       |                   |        |
| 3    | Z420315000 | PERFIL CAJA                    | BOX PROFILE                 | -      | -      | -       | 1      | 1       | 1       | 1       | 1       |                   |        |
| 4    | Z400306000 | ESCUADRA SUJECCION PERFIL      | FASTENING BRACKET PROFILE   | 1      | 1      | 1       | -      | -       | -       | -       | -       |                   |        |
| 4    | Z420306000 | ESCUADRA SUJECCION PERFIL      | FASTENING BRACKET PROFILE   | -      | -      | -       | 1      | 1       | 1       | 1       | 1       |                   |        |
|      | Q232040000 | ARANDELA A6                    | WASHER A6                   | 2      | 2      | 2       | 2      | 2       | 2       | 2       | 2       |                   |        |
|      | Q262040000 | ARANDELA GROW. A6 A.304        | WASHER GROW. A6 A.304       | 2      | 2      | 2       | 2      | 2       | 2       | 2       | 2       |                   |        |
|      | Q162040000 | TUERCA EXAGONAL M6             | HEXAGONAL NUT M6            | 2      | 2      | 2       | 2      | 2       | 2       | 2       | 2       |                   |        |
| 5    | Z410304000 | GUIA CESTILLO DERECHA C12-15   | RIGHT BASKET GUIDE C12-15   | 1      | 1      | 1       | -      | -       | -       | -       | -       |                   |        |
| 5    | Z440304000 | GUIA CESTILLO DERECHA          | RIGHT BASKET GUIDE          | -      | -      | -       | 1      | 1       | 1       | 1       | 1       |                   |        |
| S/Nº | Z410303000 | GUIA CESTILLO IZQUIERDA C12-15 | LEFT BASKET GUIDE C12-15    | 1      | 1      | 1       | -      | -       | -       | -       | -       |                   |        |
| S/Nº | Z440303000 | GUIA CESTILLO IZQUIERDA        | LEFT BASKET GUIDE           | -      | -      | -       | 1      | 1       | 1       | 1       | 1       |                   |        |
|      | Q232040000 | ARANDELA A6                    | WASHER A6                   | 4      | 4      | 4       | 4      | 4       | 4       | 4       | 4       |                   |        |
|      | Q162040000 | TUERCA EXAGONAL M6             | HEXAGONAL NUT M6            | 4      | 4      | 4       | 4      | 4       | 4       | 4       | 4       |                   |        |
| 6    | Z468611000 | PANEL FRONTAL10-12-14-15 NEU   | FRONT PANEL10-12-14-15 NEU  | 1      | 1      | 1       | -      | -       | -       | -       | -       |                   |        |
| 6    | Z448611000 | PANEL FRONTAL C21              | FRONT PANEL C21             | -      | -      | -       | 1      | 1       | -       | -       | -       |                   |        |
|      | Z458611000 | PANEL FRONTAL 21B              | FRONT PANEL 21B             | -      | -      | -       | -      | -       | 1       | 1       | 1       |                   |        |
| 7    | Z400309000 | PERFIL INFERIOR CAJA           | BOX LOWER PROFILE           | 1      | 1      | 1       | -      | -       | -       | -       | -       |                   |        |
| 7    | Z420309000 | PERFIL INFERIOR CAJA           | BOX LOWER PROFILE           | -      | -      | -       | 1      | 1       | 1       | 1       | 1       |                   |        |
| 8    | Z468720000 | ARMAZON COMPLETO               | COMPLETE FRAME              | 1      | 1      | 1       | -      | -       | -       | -       | -       |                   |        |
| 8    | Z420101000 | ARMAZON COMPLETO               | COMPLETE FRAME              | -      | -      | -       | 1      | 1       | 1       | 1       | 1       |                   |        |
| 9    | Z200107000 | PATA REGULABLE                 | ADJUSTABLE LEG              | 4      | 4      | 4       | 4      | 4       | 4       | 4       | 4       |                   |        |

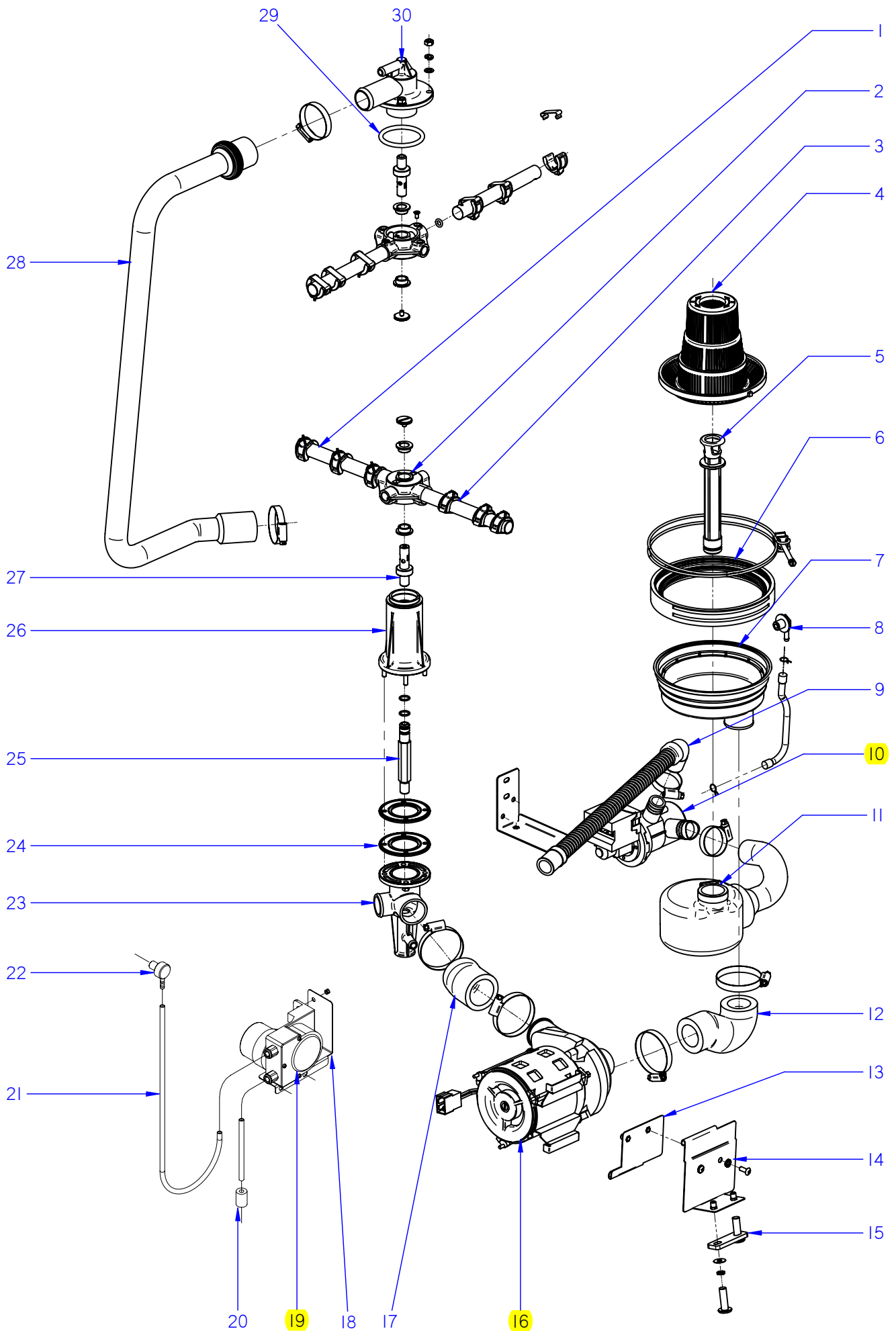
| MOD. |            | LAVAVASOS                        | ZONA                        | MUEBLE |        |         |        |         |         |         |         | PLANO | C-2110 |
|------|------------|----------------------------------|-----------------------------|--------|--------|---------|--------|---------|---------|---------|---------|-------|--------|
| ITEM | CODE       | DENOMINACION                     | TEXT                        | LVC-12 | LVC-15 | LVC-15D | LVC-21 | LVC-21D | LVC-21B | LVC-21C | LVC-21W | NOTES |        |
| 10   | Z402908000 | PANEL POSTERIOR INFERIO. 1-4-2-5 | LOWER REAR PANEL. 1-4-2-5   | 1      | 1      | 1       | -      | -       | -       | -       | -       |       |        |
| 10   | Z422908000 | PANEL POSTERIOR INFERIOR 20-21   | LOWER REAR PANEL 20-21      | -      | -      | -       | 1      | 1       | 1       | 1       | 1       |       |        |
|      | Q152004000 | TORNILLO APLASTADO M5x13 A304    | FLAT HEADED BOLT M5x13 A304 | 3      | 3      | 3       | 3      | 3       | 3       | 3       | 3       |       |        |
| 11   | Z402902000 | PANEL POSTERIOR A R-10 C-12      | REAR PANEL A R-10 C-12      | 1      | 1      | 1       | -      | -       | -       | -       | -       |       |        |
| 11   | Z422902000 | PANEL POSTERIOR R20-C21          | REAR PANEL R20-C21          | -      | -      | -       | 1      | 1       | 1       | 1       | 1       |       |        |
| 12   | Z468730000 | CAJA SOLDADA LVC-12/15           | WELDED BOX LVC-12/15        | 1      | 1      | -       | -      | -       | -       | -       | -       |       |        |
| 12   | Z480311000 | CAJA SOLDADA LVC-15D             | WELDED BOX LVC-15D          | -      | -      | 1       | -      | -       | -       | -       | -       |       |        |
| 12   | Z448730000 | CAJA SOLDADA LVC-21              | WELDED BOX LVC-21           | -      | -      | -       | 1      | -       | -       | -       | -       |       |        |
| 12   | Z500311000 | CAJA SOLDADA LVC-21D             | WELDED BOX LVC-21D          | -      | -      | -       | -      | 1       | -       | -       | -       |       |        |
| 12   | Z440311000 | CAJA SOLDADA LVC-21B             | WELDED BOX LVC-21B          | -      | -      | -       | -      | -       | 1       | -       | -       |       |        |
| 12   | Z458411000 | CAJA SOLDADA LVC-21W             | WELDED BOX LVC-21W          | -      | -      | -       | -      | -       | -       | 1       | 1       |       |        |
|      | Q162040000 | TUERCA EXAGONAL M6               | HEXAGONAL NUT M6            | 8      | 8      | 8       | 8      | 8       | 8       | 8       | 8       |       |        |
|      | Q232040000 | ARANDELA A6                      | WASHER A6                   | 8      | 8      | 8       | 8      | 8       | 8       | 8       | 8       |       |        |
|      | Q262040000 | ARANDELA GROW. A6 A.304          | WASHER GROW. A6 A.304       | 8      | 8      | 8       | 8      | 8       | 8       | 8       | 8       |       |        |
|      |            |                                  |                             |        |        |         |        |         |         |         |         |       |        |
|      |            |                                  |                             |        |        |         |        |         |         |         |         |       |        |
|      |            |                                  |                             |        |        |         |        |         |         |         |         |       |        |
|      |            |                                  |                             |        |        |         |        |         |         |         |         |       |        |
|      |            |                                  |                             |        |        |         |        |         |         |         |         |       |        |
|      |            |                                  |                             |        |        |         |        |         |         |         |         |       |        |
|      |            |                                  |                             |        |        |         |        |         |         |         |         |       |        |
|      |            |                                  |                             |        |        |         |        |         |         |         |         |       |        |
|      |            |                                  |                             |        |        |         |        |         |         |         |         |       |        |
|      |            |                                  |                             |        |        |         |        |         |         |         |         |       |        |
|      |            |                                  |                             |        |        |         |        |         |         |         |         |       |        |
|      |            |                                  |                             |        |        |         |        |         |         |         |         |       |        |
|      |            |                                  |                             |        |        |         |        |         |         |         |         |       |        |



ITEM MARCADO EN COLOR = REPUESTO RECOMENDADO  
 COLOURED ITEM = RECOMMENDED SPARE PART

|                    |                             |                  |                          |             |                                    |
|--------------------|-----------------------------|------------------|--------------------------|-------------|------------------------------------|
| N plano<br>C-21111 | Firma<br><i>[Signature]</i> | Fecha<br>2009-10 | Aparato<br>LAVAVASOS LVC | Lamina<br>2 | Fagor Industrial S. Coop.<br>Omate |
|                    |                             |                  | PUERTA                   |             |                                    |
| <b>FAGOR</b>       |                             |                  |                          |             |                                    |

| MOD. |                            | LAVAVASOS                         |                                  | ZONA   |        | PUERTA  |        |         |         |         | PLANO   |       | C-2111 |
|------|----------------------------|-----------------------------------|----------------------------------|--------|--------|---------|--------|---------|---------|---------|---------|-------|--------|
| ITEM | CODE                       | DENOMINACION                      | TEXT                             | LVC-12 | LVC-15 | LVC-15D | LVC-21 | LVC-21D | LVC-21B | LVC-21C | LVC-21W | NOTES |        |
|      | <a href="#">1200002010</a> | <b>KIT PUERTA LAVAVASOS 12-15</b> | <b>DOOR KIT 12-15 GLASSWASH.</b> | 1      | 1      | 1       | -      | -       | -       | -       | -       |       |        |
|      | <a href="#">1200002020</a> | <b>KIT PUERTA LAVAVASOS 21</b>    | <b>DOOR KIT 21 GLASSWASHER</b>   | -      | -      | -       | 1      | 1       | 1       | 1       | 1       |       |        |
| 1    | Z400511000                 | CONTRAPUERTA COMPLETA             | COMPLETE DOOR REVERSE            | 1      | 1      | 1       | -      | -       | -       | -       | -       |       |        |
| 1    | Z420513000                 | CONTRAPUERTA COMPL. R20-C21       | COMPL. DOOR REVERSE R20-C21      | -      | -      | -       | 1      | 1       | 1       | 1       | 1       |       |        |
|      | <a href="#">Q412000000</a> | REMACHE TUBULAR 4 x 8             | TUBULAR RIVET 4 x 8              | 4      | 4      | 4       | 4      | 4       | 4       | 4       | 4       |       |        |
| 2    | <a href="#">Z200607000</a> | CONJUNTO CIERRE PUERTAT-CO        | LOCK UNIT PUERTAT-CO             | 1      | 1      | 1       | 1      | 1       | 1       | 1       | 1       |       |        |
|      | <a href="#">Q222012000</a> | TUERCA AUTOBLOCANTE M6            | SELF-LOCKING NUT M6              | 2      | 2      | 2       | 2      | 2       | 2       | 2       | 2       |       |        |
| 3    | <a href="#">Z400521000</a> | GUIA DERECHA                      | RIGHT GUIDE                      | 1      | 1      | 1       | -      | -       | -       | -       | -       |       |        |
| 3    | <a href="#">Z420521000</a> | GUIA DERECHA                      | RIGHT GUIDE                      | -      | -      | -       | 1      | 1       | 1       | 1       | 1       |       |        |
| 4    | <a href="#">Z200601000</a> | ENGANCHE CIERRE                   | LOCK LATCH                       | 1      | 1      | 1       | 1      | 1       | 1       | 1       | 1       |       |        |
| 5    | <a href="#">Z400515000</a> | BISAGRA DERECHA T-C.              | RIGHT HINGE T-C.                 | 1      | 1      | 1       | 1      | 1       | 1       | 1       | 1       |       |        |
|      | <a href="#">Q012042000</a> | TORNILLO EXAGONAL M6X15           | HEXAGONAL BOLT M6x15             | 2      | 2      | 2       | 2      | 2       | 2       | 2       | 2       |       |        |
|      | <a href="#">Q232040000</a> | ARANDELA A6                       | WASHER A6                        | 2      | 2      | 2       | 2      | 2       | 2       | 2       | 2       |       |        |
|      | <a href="#">Q262040000</a> | ARANDELAGROW. A6 A.304            | WASHER GROW. A6 A.304            | 2      | 2      | 2       | 2      | 2       | 2       | 2       | 2       |       |        |
|      | <a href="#">Q162040000</a> | TUERCA EXAGONAL M6                | HEXAGONAL NUT M6                 | 2      | 2      | 2       | 2      | 2       | 2       | 2       | 2       |       |        |
| 6    | <a href="#">Z400542000</a> | ASA LVS.                          | HANDLE LVS.                      | 1      | 1      | 1       | 1      | 1       | 1       | 1       | 1       |       |        |
|      | <a href="#">Q032032000</a> | TORNILLO ALOMADO M5X15            | CURVED SCREW M5X15               | 2      | 2      | 2       | 2      | 2       | 2       | 2       | 2       |       |        |
|      | <a href="#">Q308002000</a> | ARANDELA DUBO A6 NYLON            | WASHER DUBO A6 NYLON             | 2      | 2      | 2       | 2      | 2       | 2       | 2       | 2       |       |        |
| 7    | Z468004000                 | PUERTA COMPLETA EDESA             | COMPLETE DOOR EDESA              | 1      | 1      | 1       | -      | -       | -       | -       | -       |       |        |
| 7    | Z448003000                 | PUERTA COMPLETA EDESA             | COMPLETE DOOR EDESA              | -      | -      | -       | 1      | 1       | 1       | 1       | 1       |       |        |
| 8    | <a href="#">Z400514000</a> | BISAGRA IZQUIERDA T-C.            | LEFT HINGE T-C.                  | 1      | 1      | 1       | 1      | 1       | 1       | 1       | 1       |       |        |
|      | <a href="#">Q012042000</a> | TORNILLO EXAGONAL M6X15           | HEXAGONAL BOLT M6x15             | 2      | 2      | 2       | 2      | 2       | 2       | 2       | 2       |       |        |
|      | <a href="#">Q232040000</a> | ARANDELA A6                       | WASHER A6                        | 2      | 2      | 2       | 2      | 2       | 2       | 2       | 2       |       |        |
|      | <a href="#">Q262040000</a> | ARANDELAGROW. A6 A.304            | WASHER GROW. A6 A.304            | 2      | 2      | 2       | 2      | 2       | 2       | 2       | 2       |       |        |
|      | <a href="#">Q162040000</a> | TUERCA EXAGONAL M6                | HEXAGONAL NUT M6                 | 2      | 2      | 2       | 2      | 2       | 2       | 2       | 2       |       |        |
| 9    | <a href="#">Z400516000</a> | EJE PUERTA                        | DOOR SHAFT                       | 2      | 2      | 2       | 2      | 2       | 2       | 2       | 2       |       |        |
| 10   | <a href="#">Z200506000</a> | IMAN                              | MAGNET                           | -      | 1      | 1       | 1      | 1       | 1       | 1       | 1       |       |        |
|      | <a href="#">Z200507000</a> | PROTECTOR IMAN                    | MAGNET PROTECTOR                 | -      | 1      | 1       | 1      | 1       | 1       | 1       | 1       |       |        |
| 11   | <a href="#">Z400522000</a> | GUIA IZQUIERDA                    | LEFT GUIDE                       | 1      | 1      | 1       | -      | -       | -       | -       | -       |       |        |
| 11   | <a href="#">Z420522000</a> | GUIA IZQUIERDA                    | LEFT GUIDE                       | -      | -      | -       | 1      | 1       | 1       | 1       | 1       |       |        |
|      | <a href="#">Q412000000</a> | REMACHE TUBULAR 4 x 8             | TUBULAR RIVET 4 x 8              | 2      | 2      | 2       | 2      | 2       | 2       | 2       | 2       |       |        |



ITEM MARCADO EN COLOR = REPUESTO RECOMENDADO  
 COLOURED ITEM = RECOMMENDED SPARE PART

|         |                    |         |           |                           |        |                                       |
|---------|--------------------|---------|-----------|---------------------------|--------|---------------------------------------|
| N plano | Firma              | Fecha   | Aparato   | CONJUNTO FUNCIONAL LAVADO | Lamina | Fagor Industrial S.Coop. <b>FAGOR</b> |
| C-2113  | <i>[Signature]</i> | 2009-10 | LAVAVASOS | LVC-21B / 21C / 21W       | 4      | Oñate                                 |

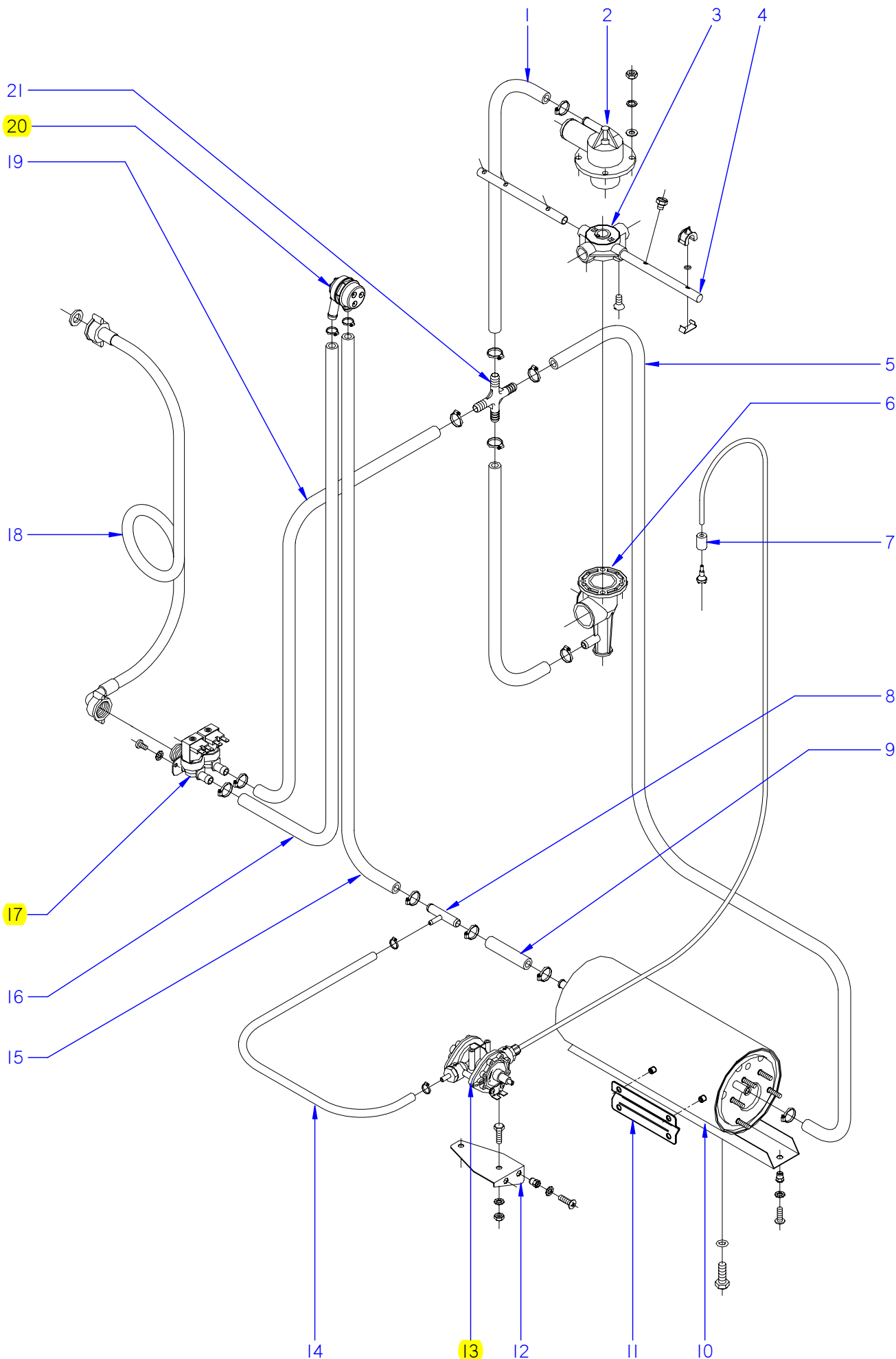
| MOD. |            | LAVAVASOS                     |                            | ZONA    | CONJUNTO FUNCIONAL LAVADO |         |  | PLANO | C-2113 |       |
|------|------------|-------------------------------|----------------------------|---------|---------------------------|---------|--|-------|--------|-------|
| ITEM | CODE       | DENOMINACION                  | TEXT                       | LVC-21B | LVC-21C                   | LVC-21W |  |       |        | NOTES |
| 1    | Z440707000 | RAMA LAVADO B                 | WASH B BRANCH              | 2       | 2                         | 2       |  |       |        |       |
|      | Z400709000 | TOBERA LAVADO                 | WASH NOZZLE                | 6       | 6                         | 6       |  |       |        |       |
|      | Z400711000 | ENGANCHE TOBERA LAVADO        | WASH NOZZLE CATCH          | 6       | 6                         | 6       |  |       |        |       |
| 2    | Z410704000 | CRUCETA                       | CROSSPIECE                 | 2       | 2                         | 2       |  |       |        |       |
|      | Q152016000 | TORNILLO ESPECIAL M.5X0.8     | SPECIAL BOLT M.5X0.8       | 2       | 2                         | 2       |  |       |        |       |
|      | Z410705000 | CASQUILLO CRUCETA             | CROSSPIECE BUSHING         | 4       | 4                         | 4       |  |       |        |       |
| 3    | Z440706000 | RAMA LAVADO A                 | WASH BRANCH A              | 2       | 2                         | 2       |  |       |        |       |
|      | Z400709000 | TOBERA LAVADO                 | WASH NOZZLE                | 6       | 6                         | 6       |  |       |        |       |
|      | Z400711000 | ENGANCHE TOBERA LAVADO        | WASH NOZZLE CATCH          | 6       | 6                         | 6       |  |       |        |       |
| 4    | Z400920000 | FILTRO ALTO                   | HIGH FILTER                | 1       | 1                         | 1       |  |       |        |       |
| 5    | Z400907000 | ALIVIADERO                    | OVERFLOW (Q307041: O-ring) | 1       | 1                         | 1       |  |       |        |       |
| 6    | Z400902000 | JUNTA CUBETA                  | TRAY SEAL                  | 1       | 1                         | 1       |  |       |        |       |
| 7    | Z400901000 | CUBETA                        | TRAY                       | 1       | 1                         | 1       |  |       |        |       |
|      | Z400903000 | ABRAZADERA CUBETA             | TRAY CLAMP                 | 1       | 1                         | 1       |  |       |        |       |
| 8    | Z230905000 | PASAMUROS INOX DETERGENTE     | INOX DETERGENT WALL BUSHIN | 1       | 2                         | 1       |  |       |        |       |
|      | P102154000 | BRIDA ELASTICA TUBO           | ELASTIC PIPE FLANGE        | 2       | 2                         | 2       |  |       |        |       |
|      | 3702400000 | TUBO GOMA NEGRO D 8*4         | BLACK RUBBER PIPE Ø 8*4    | 1       | 1                         | 1       |  |       |        |       |
| 9    | Z220903000 | MANGUERA DESAGÜE              | DRAINAGE HOSE              | 1       | 1                         | 1       |  |       |        |       |
|      | Q901307000 | ABRAZADERA ELASTICA 37.7-39.7 | ELASTIC CLAMP 37.7-39.7    | 1       | 1                         | 1       |  |       |        |       |
| 10   |            | BOMBA DESAGUE 30W             | DRAINAGE PUMP 30W          | 1       | 1                         | —       |  |       |        |       |
| 10   | Z223501000 | BOMBA DE DESAGUE 30W 60HZ     | DRAINAGE PUMP 30W 60HZ     | 1       | 1                         | 1       |  |       |        |       |
|      | Z430902000 | SOPORTE BOMBA DESAGUE B       | DRAINAGE PUMP SUPPORT B    | 1       | 1                         | 1       |  |       |        |       |
|      | Q012031000 | TORNILLO EXAGONAL M5X10       | HEXAGONAL BOLT M5x10       | 4       | 4                         | 4       |  |       |        |       |
|      | Q242030000 | ARANDELA ABANICO A5 A.304     | FAN WASHER A5 A.304        | 4       | 4                         | 4       |  |       |        |       |
| 11   | Z430901000 | ACUMULADOR 1503114            | ACCUMULATOR 1503114        | 1       | 1                         | 1       |  |       |        |       |
|      | Q901307000 | ABRAZADERA ELASTICA 37.7-39.7 | ELASTIC CLAMP 37.7-39.7    | 2       | 2                         | 2       |  |       |        |       |
| 12   | Z400905000 | CODO ASPIRACION 1003115       | EXTRACTOR ELBOW 1003115    | 1       | 1                         | 1       |  |       |        |       |
|      | Q881307000 | ABRAZADERA 40-60              | CLAMP 40-60                | 2       | 2                         | 2       |  |       |        |       |
| 13   | Z401004000 | AMARRE MOTOBOMBA              | MOTORPUMP FASTENING        | 1       | 1                         | 1       |  |       |        |       |
|      |            |                               |                            |         |                           |         |  |       |        |       |
|      |            |                               |                            |         |                           |         |  |       |        |       |



| MOD. |            | LAVAVASOS                     |                              | ZONA    | CONJUNTO FUNCIONAL LAVADO |         |  | PLANO | C-2113 |       |
|------|------------|-------------------------------|------------------------------|---------|---------------------------|---------|--|-------|--------|-------|
| ITEM | CODE       | DENOMINACION                  | TEXT                         | LVC-21B | LVC-21C                   | LVC-21W |  |       |        | NOTES |
| 14   | Z421002000 | SOPORTE MOTOBOMBA             | MOTOR PUMP SUPPORT           | 1       | 1                         | 1       |  |       |        |       |
|      | Q152004000 | TORNILLO APLASTADO M5x13 A304 | FLAT HEADED BOLT M5x13 A304  | 2       | 2                         | 2       |  |       |        |       |
|      | Q242030000 | ARANDELA ABANICO A5 A.304     | FAN WASHER A5 A.304          | 2       | 2                         | 2       |  |       |        |       |
| 15   | Z401006000 | PERFIL AMORTIGUADOR           | SHOCK ABSORBER PROFILE       | 1       | 1                         | 1       |  |       |        |       |
|      | Q242030000 | ARANDELA ABANICO A5 A.304     | FAN WASHER A5 A.304          | 2       | 2                         | 2       |  |       |        |       |
|      | Q302022000 | ARANDELA 16x6x1,2 A304        | WASHER 16x6x1.2 A304         | 2       | 2                         | 2       |  |       |        |       |
|      | Q032032000 | TORNILLO ALOMADO M5X15        | CURVED SCREW M5X15           | 2       | 2                         | 2       |  |       |        |       |
| 16   | Z401001000 | BOMBA LAVADO                  | WASH PUMP                    | 1       | 1                         | 1       |  |       |        |       |
| 17   | Z400906000 | CODO IMPULSION 1003116        | IMPULSE ELBOW 1003116        | 1       | 1                         | 1       |  |       |        |       |
|      | Q881307000 | ABRAZADERA 40-60              | CLAMP 40-60                  | 2       | 2                         | 2       |  |       |        |       |
| 18   | Z208909000 | SOPORTE DOSIF. DETERGENTE     | DETERGENT DISP. SUPPORT      | -       | 1                         | 1       |  |       |        |       |
|      | Q419005000 | REMACHE 4X8 ALMG3 / ALUMINIO  | RIVET 4X8 ALMG3 / ALUMINIUM  | -       | 2                         | 2       |  |       |        |       |
| 19   | Z208903000 | DOSIFIC. DGTE REGULABLE G300  | DETERGENT DISP. ADJUST. G300 | -       | 1                         | 1       |  |       |        |       |
|      | Q012031000 | TORNIL. EXAGONAL M5X10 A.304  | HEX BOLT M5X10 A.304         | -       | 2                         | 2       |  |       |        |       |
|      | Q232030000 | ARANDELA A5                   | WASHER A5                    | -       | 2                         | 2       |  |       |        |       |
| 20   | Z701152000 | PESO FILTRO                   | FILTER WEIGHT                | -       | 1                         | 1       |  |       |        |       |
| 21   | Z448614000 | CONDUCTO ASPIRACIÓN           | EXTRACTOR PIPE               | -       | 1                         | 1       |  |       |        |       |
| 22   | Z208914000 | PASAMUROS INOX DETERGENTE     | INOX DETERGENT WALL BUSHING  | -       | 1                         | 1       |  |       |        |       |
|      | Q306024000 | JUNTA Ø18X12.5X1.5            | SEAL Ø18X12.5X1.5            | -       | 1                         | 1       |  |       |        |       |
|      | Q162070000 | TUERCA EXAGONAL M12           | HEXAGONAL NUT M12            | -       | 1                         | 1       |  |       |        |       |
| S/Nº | Z208904000 | CABLEADO DOSIFICADOR DTGTE.   | DETERGENT DISP. WIRING       | -       | 1                         | 1       |  |       |        |       |
| 23   | Z410702000 | PASAMUROS CESTO CUADRADO      | SQUARE BASKET WALL BUSHING   | 1       | 1                         | 1       |  |       |        |       |
|      | Q232030000 | ARANDELA A5                   | WASHER A5                    | 4       | 4                         | 4       |  |       |        |       |
|      | Q262030000 | ARANDELA GROW. A5 A.304       | WASHER GROW. A5 A.304        | 4       | 4                         | 4       |  |       |        |       |
|      | Q162030000 | TUERCA EXAGONAL M5            | HEXAGONAL NUT M5             | 4       | 4                         | 4       |  |       |        |       |
| 24   | Z400703000 | JUNTA ESTANQUE. 1003113       | SEAL. 1003113                | 2       | 2                         | 2       |  |       |        |       |
| 25   | Z410712000 | EMPALME ACLARADO              | RINSE CONNECTION             | 1       | 1                         | 1       |  |       |        |       |
|      | Q307056000 | JUNTA TORICA 10,82x14,38x1,78 | O-RING 10.82x14.38x1.78      | 2       | 2                         | 2       |  |       |        |       |
| 26   | Z410701000 | SOPORTE INFERIOR CUADRO       | LOWER SUPPORT BRACKET        | 1       | 1                         | 1       |  |       |        |       |
| 27   | Z410708000 | EJE                           | SHAFT                        | 2       | 2                         | 2       |  |       |        |       |

|             |                  |             |                                  |              |               |
|-------------|------------------|-------------|----------------------------------|--------------|---------------|
| <b>MOD.</b> | <b>LAVAVASOS</b> | <b>ZONA</b> | <b>CONJUNTO FUNCIONAL LAVADO</b> | <b>PLANO</b> | <b>C-2113</b> |
|-------------|------------------|-------------|----------------------------------|--------------|---------------|

| <b>ITEM</b> | <b>CODE</b>                | <b>DENOMINACION</b>          | <b>TEXT</b>            | <b>LVC-21B</b> | <b>LVC-21C</b> | <b>LVC-21W</b> |  |  |  |  |  | <b>NOTES</b> |
|-------------|----------------------------|------------------------------|------------------------|----------------|----------------|----------------|--|--|--|--|--|--------------|
| 28          | <a href="#">Z440711000</a> | ARBOL LAVADO                 | WASH CAM               | 1              | 1              | 1              |  |  |  |  |  |              |
|             | <a href="#">Q881306000</a> | ABRAZADERA 32-50L            | CLAMP 32-50L           | 2              | 2              | 2              |  |  |  |  |  |              |
| 29          | <a href="#">Q307052000</a> | JUNTA TORICA 50,17X60,83X5,3 | O-RING 50.17X60.83X5.3 | 1              | 1              | 1              |  |  |  |  |  |              |
| 30          | <a href="#">Z410703000</a> | SOPORTE DISTRIB. SUPERIOR    | UPPER DISTRIB. SUPPORT | 1              | 1              | 1              |  |  |  |  |  |              |
|             | <a href="#">Q232040000</a> | ARANDELA A6                  | WASHER A6              | 4              | 4              | 4              |  |  |  |  |  |              |
|             | <a href="#">Q262040000</a> | ARANDELA GROW. A6 A.304      | WASHER GROW. A6 A.304  | 4              | 4              | 4              |  |  |  |  |  |              |
|             | <a href="#">Q162040000</a> | TUERCA EXAGONAL M6           | HEXAGONAL NUT M6       | 4              | 4              | 4              |  |  |  |  |  |              |
|             |                            |                              |                        |                |                |                |  |  |  |  |  |              |
|             |                            |                              |                        |                |                |                |  |  |  |  |  |              |
|             |                            |                              |                        |                |                |                |  |  |  |  |  |              |
|             |                            |                              |                        |                |                |                |  |  |  |  |  |              |
|             |                            |                              |                        |                |                |                |  |  |  |  |  |              |
|             |                            |                              |                        |                |                |                |  |  |  |  |  |              |
|             |                            |                              |                        |                |                |                |  |  |  |  |  |              |
|             |                            |                              |                        |                |                |                |  |  |  |  |  |              |
|             |                            |                              |                        |                |                |                |  |  |  |  |  |              |
|             |                            |                              |                        |                |                |                |  |  |  |  |  |              |
|             |                            |                              |                        |                |                |                |  |  |  |  |  |              |
|             |                            |                              |                        |                |                |                |  |  |  |  |  |              |
|             |                            |                              |                        |                |                |                |  |  |  |  |  |              |
|             |                            |                              |                        |                |                |                |  |  |  |  |  |              |
|             |                            |                              |                        |                |                |                |  |  |  |  |  |              |
|             |                            |                              |                        |                |                |                |  |  |  |  |  |              |
|             |                            |                              |                        |                |                |                |  |  |  |  |  |              |
|             |                            |                              |                        |                |                |                |  |  |  |  |  |              |
|             |                            |                              |                        |                |                |                |  |  |  |  |  |              |
|             |                            |                              |                        |                |                |                |  |  |  |  |  |              |
|             |                            |                              |                        |                |                |                |  |  |  |  |  |              |
|             |                            |                              |                        |                |                |                |  |  |  |  |  |              |
|             |                            |                              |                        |                |                |                |  |  |  |  |  |              |
|             |                            |                              |                        |                |                |                |  |  |  |  |  |              |
|             |                            |                              |                        |                |                |                |  |  |  |  |  |              |
|             |                            |                              |                        |                |                |                |  |  |  |  |  |              |
|             |                            |                              |                        |                |                |                |  |  |  |  |  |              |
|             |                            |                              |                        |                |                |                |  |  |  |  |  |              |
|             |                            |                              |                        |                |                |                |  |  |  |  |  |              |
|             |                            |                              |                        |                |                |                |  |  |  |  |  |              |
|             |                            |                              |                        |                |                |                |  |  |  |  |  |              |
|             |                            |                              |                        |                |                |                |  |  |  |  |  |              |
|             |                            |                              |                        |                |                |                |  |  |  |  |  |              |
|             |                            |                              |                        |                |                |                |  |  |  |  |  |              |
|             |                            |                              |                        |                |                |                |  |  |  |  |  |              |

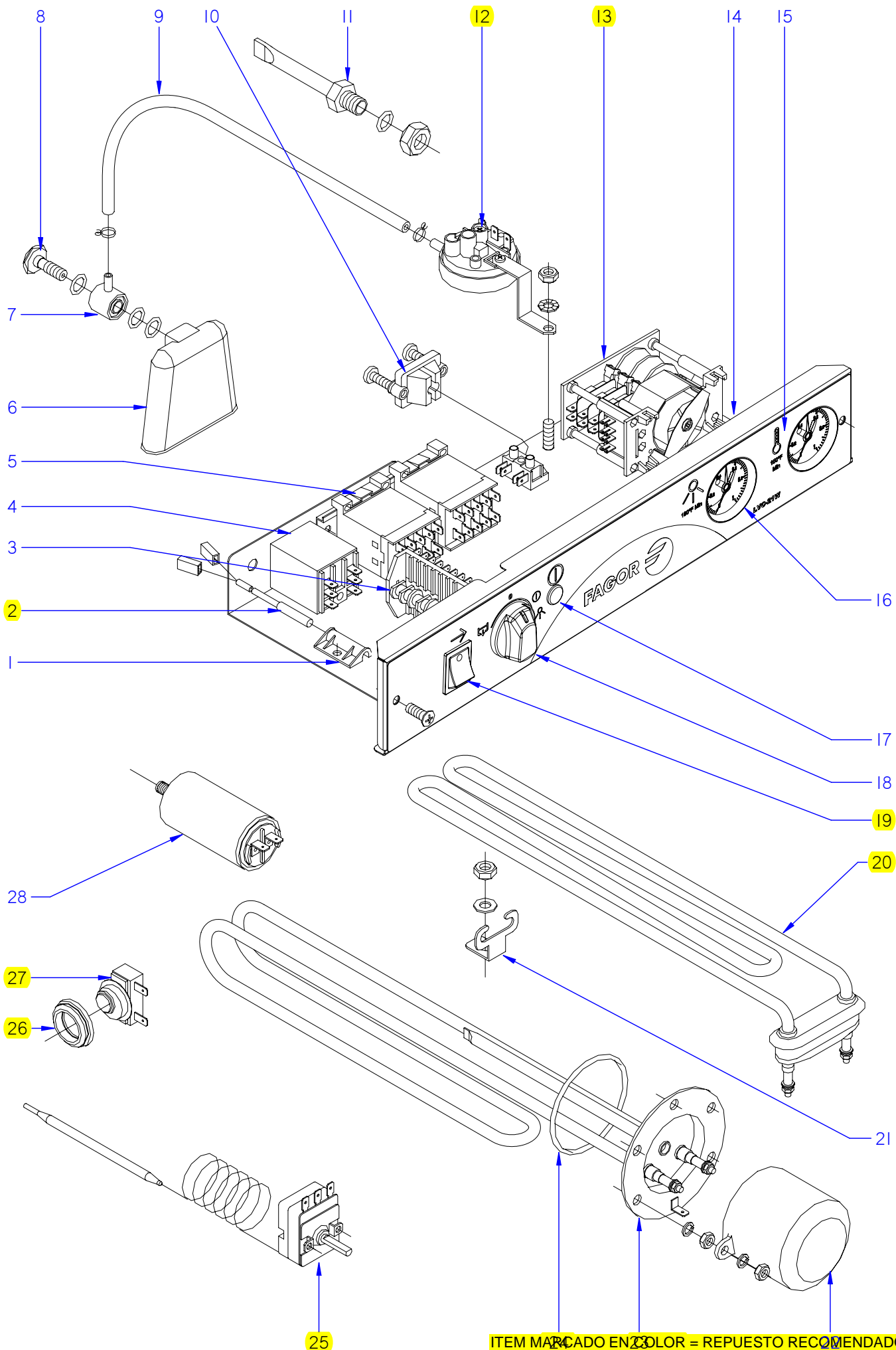


ITEM MARCADO EN COLOR = REPUESTO RECOMENDADO  
 COLOURED ITEM = RECOMMENDED SPARE PART

|                          |                             |                         |  |                    |  |
|--------------------------|-----------------------------|-------------------------|--|--------------------|--|
| N plano<br><b>C-2117</b> | Firma<br><i>[Signature]</i> | Fecha<br><b>2009-10</b> | Aparato<br>CONJUNTO FUNCIONAL ACLARADO<br><b>LAVAVASOS LVC-21C / 21W</b> | Lamina<br><b>8</b> | Fagor Industrial S.Coop. <b>FAGOR</b><br>Oñate |
|--------------------------|-----------------------------|-------------------------|--|--------------------|--|

| MOD. |            | LAVAVASOS                      |                             | ZONA    |         | CONJUNTO FUNCIONAL ACLARADO |  |  |  | PLANO |  | C-2117 |       |
|------|------------|--------------------------------|-----------------------------|---------|---------|-----------------------------|--|--|--|-------|--|--------|-------|
| ITEM | CODE       | DENOMINACION                   | TEXT                        | LVC-21C | LVC-21W |                             |  |  |  |       |  |        | NOTES |
| 1    | 3676900000 | TUBO GOMA NEGRA Ø17*10         | BLACK RUBBER PIPE Ø17*10    | 1       | 1       |                             |  |  |  |       |  |        |       |
|      | Q881302000 | ABRAZADERA 12/20               | CLAMP 12/20                 | 2       | 2       |                             |  |  |  |       |  |        |       |
| 2    | Z410703000 | SOPORTE DISTRIBUIDOR SUPER.    | UPPER DISTRIBUTION SUPPORT  | 1       | 1       |                             |  |  |  |       |  |        |       |
|      | Q232040000 | ARANDELA A6                    | WASHER A6                   | 4       | 4       |                             |  |  |  |       |  |        |       |
|      | Q262040000 | ARANDELA GROW. A6 A.304        | WASHER GROW. A6 A.304       | 4       | 4       |                             |  |  |  |       |  |        |       |
|      | Q162040000 | TUERCA EXAGONAL M6             | HEXAGONAL NUT M6            | 4       | 4       |                             |  |  |  |       |  |        |       |
| 3    | Z410704000 | CRUCETA                        | CROSSPIECE                  | 2       | 2       |                             |  |  |  |       |  |        |       |
|      | Q152016000 | TORNILLO ESPECIAL M.5X0.8      | SPECIAL BOLT M.5X0.8        | 2       | 2       |                             |  |  |  |       |  |        |       |
|      | Z410705000 | CASQUILLO CRUCETA              | CROSSPIECE BUSHING          | 4       | 4       |                             |  |  |  |       |  |        |       |
| 4    | Z441902000 | RAMA ACLARADO B                | RINSE BRANCH B              | 2       | 2       |                             |  |  |  |       |  |        |       |
| S/Nº | Z441901000 | RAMA ACLARADO A                | RINSE BRANCH A              | 2       | 2       |                             |  |  |  |       |  |        |       |
|      | Z211903000 | TOBERA ACLARADO                | RINSE NOZZLE                | 10      | 10      |                             |  |  |  |       |  |        |       |
|      | Q042021000 | TORNILL. AVELLANADO M4X10 A304 | COUNTERSUNK BOLT M4X10 A304 | 4       | 4       |                             |  |  |  |       |  |        |       |
| 5    | 3676900000 | TUBO GOMA NEGRA Ø17*10         | BLACK RUBBER PIPE Ø17*10    | 1       | 1       |                             |  |  |  |       |  |        |       |
|      | Q881302000 | ABRAZADERA 12/20               | CLAMP 12/20                 | 2       | 2       |                             |  |  |  |       |  |        |       |
| 6    | Z410702000 | PASAMUROS CESTO CUADRADO       | SQUARE BASKET WALL BUSHING  | 1       | 1       |                             |  |  |  |       |  |        |       |
|      | Q232030000 | ARANDELA A5                    | WASHER A5                   | 4       | 4       |                             |  |  |  |       |  |        |       |
|      | Q262030000 | ARANDELA GROW. A5 A.304        | WASHER GROW. A5 A.304       | 4       | 4       |                             |  |  |  |       |  |        |       |
|      | Q162030000 | TUERCA EXAGONAL M5             | HEXAGONAL NUT M5            | 4       | 4       |                             |  |  |  |       |  |        |       |
| 7    | Z701152000 | PESO FILTRO                    | FILTER WEIGHT               | 1       | 1       |                             |  |  |  |       |  |        |       |
| 8    | Z601157000 | TOMA PRESION                   | PRESSURE INTAKE             | 1       | 1       |                             |  |  |  |       |  |        |       |
| 9    | 3676900000 | TUBO GOMA NEGRA Ø17*10         | BLACK RUBBER PIPE Ø17*10    | 1       | 1       |                             |  |  |  |       |  |        |       |
|      | Q881302000 | ABRAZADERA 12/20               | CLAMP 12/20                 | 2       | 2       |                             |  |  |  |       |  |        |       |
| 10   | Z401730000 | CALDERIN LAVAVASOS 10-2        | GLASSWASHER BOILER 10-2     | 1       | 1       |                             |  |  |  |       |  |        |       |
| 11   | Z748008000 | SOPORTE BULBO TERMOSTATO       | THERMOSTAT BULB SUPPORT     | 1       | 1       |                             |  |  |  |       |  |        |       |
|      | Q152018000 | PERNO SOLDADO M6X10            | WELDED BOLT M6X10           | 2       | 2       |                             |  |  |  |       |  |        |       |
|      | Q162040000 | TUERCA EXAGONAL M6             | HEXAGONAL NUT M6            | 2       | 2       |                             |  |  |  |       |  |        |       |
|      | Q232040000 | ARANDELA A6                    | WASHER A6                   | 2       | 2       |                             |  |  |  |       |  |        |       |
|      | Q262040000 | ARANDELA GROW. A6 A.304        | WASHER GROW. A6 A.304       | 2       | 2       |                             |  |  |  |       |  |        |       |
|      |            |                                |                             |         |         |                             |  |  |  |       |  |        |       |
|      |            |                                |                             |         |         |                             |  |  |  |       |  |        |       |

| MOD. | LAVAVASOS                  |                               | ZONA                        | CONJUNTO FUNCIONAL ACLARADO |         |  |  | PLANO | C-2117 |
|------|----------------------------|-------------------------------|-----------------------------|-----------------------------|---------|--|--|-------|--------|
| ITEM | CODE                       | DENOMINACION                  | TEXT                        | LVC-21C                     | LVC-21W |  |  |       | NOTES  |
| 12   | <a href="#">Z401116000</a> | SOPORTE DOSIFICADOR           | DISPENSER SUPPORT           | 1                           | 1       |  |  |       |        |
|      | <a href="#">Q242030000</a> | ARANDELA ABANICO A5 A.304     | FAN WASHER A5 A.304         | 4                           | 4       |  |  |       |        |
|      | <a href="#">Q152004000</a> | TORNILLO APLASTADO M5x13 A304 | FLAT HEADED BOLT M5x13 A304 | 2                           | 2       |  |  |       |        |
| 13   | <a href="#">Z211109000</a> | DOSIFICADOR TENSOACTIVO N-6   | SURFACE ACT. DISP. N-6      | 1                           | 1       |  |  |       |        |
| S/Nº | <a href="#">Z448618000</a> | CONDUCTO ABRILLANTADOR        | POLISH DUCT                 | 1                           | 1       |  |  |       |        |
| 14   | <a href="#">3704000000</a> | TUBO GOMA NEGRA Ø10,5*5       | BLACK RUBBER PIPE Ø10,5*5   | 1                           | 1       |  |  |       |        |
|      | <a href="#">Q881308000</a> | ABRAZADERA 8/14               | CLAMP 8/14                  | 2                           | 2       |  |  |       |        |
| 15   | <a href="#">3676900000</a> | TUBO GOMA NEGRA Ø17*10        | BLACK RUBBER PIPE Ø17*10    | 1                           | 1       |  |  |       |        |
|      | <a href="#">Q881302000</a> | ABRAZADERA 12/20              | CLAMP 12/20                 | 2                           | 2       |  |  |       |        |
| 16   | <a href="#">3676900000</a> | TUBO GOMA NEGRA Ø17*10        | BLACK RUBBER PIPE Ø17*10    | 1                           | 1       |  |  |       |        |
|      | <a href="#">Q881302000</a> | ABRAZADERA 12/20              | CLAMP 12/20                 | 2                           | 2       |  |  |       |        |
| 17   | <a href="#">P255001000</a> | ELECTROVALVULA DOBLE          | DOUBLE SOLENOID VALVE       | 1                           | 1       |  |  |       |        |
| 18   | <a href="#">Z601114000</a> | MANGUERA ENTRADA AGUA         | WATER INTAKE HOSE           | 1                           | 1       |  |  |       |        |
| 19   | <a href="#">3676900000</a> | TUBO GOMA NEGRA Ø17*10        | BLACK RUBBER PIPE Ø17*10    | 1                           | 1       |  |  |       |        |
|      | <a href="#">Q881302000</a> | ABRAZADERA 12/20              | CLAMP 12/20                 | 2                           | 2       |  |  |       |        |
| 20   | <a href="#">Z231106000</a> | VALVULA ANTIRRETORNO          | NON-RETURN VALVE            | 1                           | 1       |  |  |       |        |
|      | <a href="#">Q881302000</a> | ABRAZADERA 12/20              | CLAMP 12/20                 | 2                           | 2       |  |  |       |        |
| 21   | <a href="#">Z401108000</a> | RACORD EN CRUZ                | DIAGONAL CONNECTION         | 1                           | 1       |  |  |       |        |
|      |                            |                               |                             |                             |         |  |  |       |        |
|      |                            |                               |                             |                             |         |  |  |       |        |
|      |                            |                               |                             |                             |         |  |  |       |        |
|      |                            |                               |                             |                             |         |  |  |       |        |
|      |                            |                               |                             |                             |         |  |  |       |        |
|      |                            |                               |                             |                             |         |  |  |       |        |
|      |                            |                               |                             |                             |         |  |  |       |        |
|      |                            |                               |                             |                             |         |  |  |       |        |
|      |                            |                               |                             |                             |         |  |  |       |        |
|      |                            |                               |                             |                             |         |  |  |       |        |



ITEM MARCADO EN COLOR = REPUESTO RECOMENDADO  
 COLOURED ITEM = RECOMMENDED SPARE PART

|         |                    |         |                   |                              |        |                                       |
|---------|--------------------|---------|-------------------|------------------------------|--------|---------------------------------------|
| N plano | Firma              | Fecha   | Aparato           | CONJUNTO FUNCIONAL ELECTRICO | Lamina | Fagor Industrial S.Coop. <b>FAGOR</b> |
| C-2122  | <i>[Signature]</i> | 2009-10 | LAVAVASOS LVC-21W |                              | 13     | Oñate                                 |

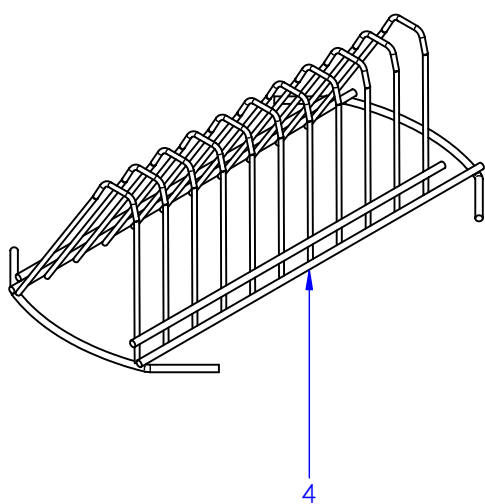
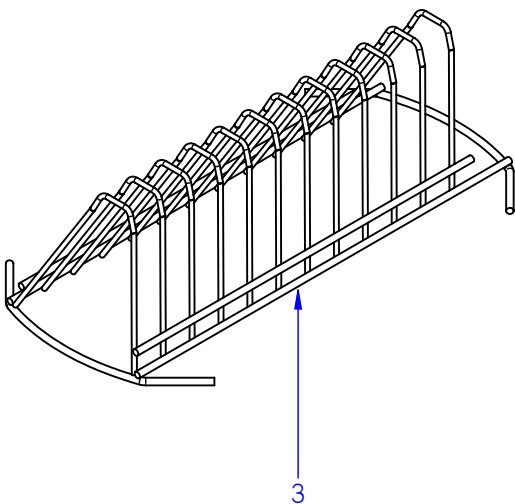
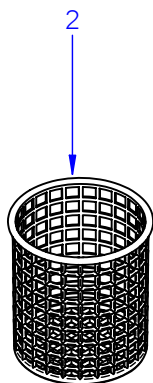
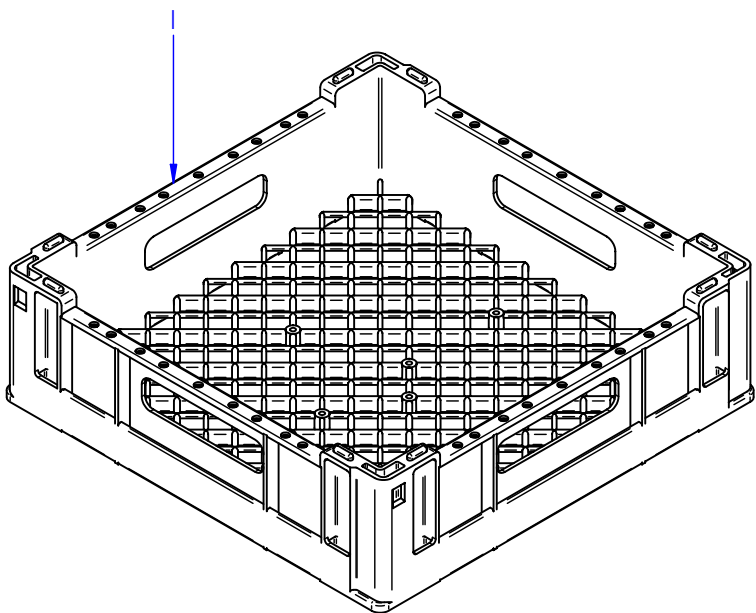
| MOD. |            | LAVAVASOS                         |                                | ZONA    |  | CONJUNTO FUNCIONAL ELECTRICO |  | PLANO |  | C-2122 |       |
|------|------------|-----------------------------------|--------------------------------|---------|--|------------------------------|--|-------|--|--------|-------|
| ITEM | CODE       | DENOMINACION                      | TEXT                           | LVC-21W |  |                              |  |       |  |        | NOTES |
| 1    | Z203010000 | AMARRE INTERRUPT. MAGNETICO       | MAGNETIC SWITCH FASTENER       | 1       |  |                              |  |       |  |        |       |
| 2    | Z203009000 | INTERRUPTOR MAGNETICO             | MAGNETIC SWITCH                | 1       |  |                              |  |       |  |        |       |
| 3    | Z433001000 | CONMUTADOR DE FUNCIONES           | FUNCTIONS SWITCH               | 1       |  |                              |  |       |  |        |       |
| 4    | Z203062000 | RELE 230V. 16A 50-60 HZ           | RELAY 230V. 16A 50-60 HZ       | 1       |  |                              |  |       |  |        |       |
| 5    | Z203050000 | CONTACT. SIRIUS 3R 230 V.50-60 HZ | CONTACT. SIRIUS 3R 230 V.50/60 | 1       |  |                              |  |       |  |        |       |
| 5    | Z213007000 | CONTACTOR 230 V. 50-60 HZ         | CONTACTOR 230 V. 50-60 HZ      | 1       |  |                              |  |       |  |        |       |
| 6    | Z203011000 | CAMARA PRESOSTATO                 | PRESSURE SWITCH                | 1       |  |                              |  |       |  |        |       |
| 7    | Z203012000 | EMPALME PRESOSTATO                | PRESSURE SWITCH CONNEX         | 1       |  |                              |  |       |  |        |       |
| 8    | Z203013000 | TORNILLO PRESOSTATO               | PRESSURE SWITCH BOLT           | 1       |  |                              |  |       |  |        |       |
|      | Q307003000 | JUNTA TORICA 16.01X10.77X2.62     | O-RING 16.01X10.77X2.62        | 3       |  |                              |  |       |  |        |       |
| 9    | 3702400000 | TUBO GOMA NEGRO D 8*4             | BLACK RUBBER PIPE Ø 8*4        | 1       |  |                              |  |       |  |        |       |
|      | P102154000 | BRIDA ELASTICA TUBO               | ELASTIC PIPE FLANGE            | 2       |  |                              |  |       |  |        |       |
| 10   | Z203020000 | RETENEDOR DE CABLE                | CABLE HOLDER                   | 1       |  |                              |  |       |  |        |       |
|      | U183046000 | REGLETA AUXILIAR                  | AUXILIARY STRIP                | 1       |  |                              |  |       |  |        |       |
|      | Q032021000 | TORNILLO ALOMADO M4X10            | CURVED SCREW M4X10             | 2       |  |                              |  |       |  |        |       |
|      | Q162020000 | TUERCA EXAGONAL M4                | HEXAGONAL NUT M4               | 2       |  |                              |  |       |  |        |       |
| 11   | Z263002000 | VAINA INDICADOR COMPLETA          | COMPLETE INDICATOR SHELL       | 1       |  |                              |  |       |  |        |       |
|      | Q306024000 | JUNTA TORICA 18x12,5x1,5          | O-RING 18x12.5x1.5             | 1       |  |                              |  |       |  |        |       |
|      | Q162070000 | TUERCA EXAGONAL M12               | HEXAGONAL NUT M12              | 1       |  |                              |  |       |  |        |       |
| 12   | Z433011000 | PRESOSTATO DOBLE                  | DOUBLE PRESSURE SWITCH         | 1       |  |                              |  |       |  |        |       |
|      | Z602923000 | SOPORTE PRESOSTATO                | PRESSURE SWITCH SUPPORT        | 1       |  |                              |  |       |  |        |       |
|      | Q082032000 | TORNILLO ALOMADO BZ-3,5X9,5       | CURVED SCREW BZ-3.5x9.5        | 1       |  |                              |  |       |  |        |       |
|      | Q152004000 | TORNILLO APLASTADO M5x13 A304     | FLAT HEADED BOLT M5x13 A304    | 1       |  |                              |  |       |  |        |       |
|      | Q242030000 | ARANDELA ABANICO A5 A.304         | FAN WASHER A5 A.304            | 1       |  |                              |  |       |  |        |       |
|      | Q162030000 | TUERCA EXAGONAL M5                | HEXAGONAL NUT M5               | 1       |  |                              |  |       |  |        |       |
| 13   | Z448302000 | PROGRAMADOR CICLO 2' 60HZ         | CYCLE PROGRAMMER 2' 60HZ       | 1       |  |                              |  |       |  |        |       |
|      | Z203007000 | CASQUILLO                         | BUSHING                        | 2       |  |                              |  |       |  |        |       |
|      | Q041324000 | TORN. AVELLANADO M4X25 H.ZINCA    | HEXAGONAL COUNTERSUNK M4       | 2       |  |                              |  |       |  |        |       |
| 14   | Z458407000 | FRENTE COMPLETO 21W               | COMPLETE FRONT 21W             | 1       |  |                              |  |       |  |        |       |
|      | Q152004000 | TORNILLO APLASTADO M5x13 A304     | FLAT HEADED BOLT M5x13 A304    | 2       |  |                              |  |       |  |        |       |
| 15   | Z458406000 | EMBELLECEDOR ADHE. LVC-21W        | ADHES. TRIM LVC-21W            | 1       |  |                              |  |       |  |        |       |

| MOD. |            | LAVAVASOS                     |                             | ZONA    |  | CONJUNTO FUNCIONAL ELECTRICO |  |  |  | PLANO |  | C-2122 |                  |
|------|------------|-------------------------------|-----------------------------|---------|--|------------------------------|--|--|--|-------|--|--------|------------------|
| ITEM | CODE       | DENOMINACION                  | TEXT                        | LVC-21W |  |                              |  |  |  |       |  | NOTES  |                  |
| 16   | Z273060000 | TERMOMETRO W NSF              | THERMOMETER W NSF           | 2       |  |                              |  |  |  |       |  |        |                  |
| 17   | R693056000 | PILOTO AMBAR 41227000A4       | AMBER PILOT 41227000A4      | 1       |  |                              |  |  |  |       |  |        |                  |
| 18   | Z203069000 | BOTON DE MANDO                | CONTROL BUTTON              | 1       |  |                              |  |  |  |       |  |        |                  |
| 19   | Z203080000 | PULSADOR MARCHA NEGRO         | BLACK RUN BUTTON            | 1       |  |                              |  |  |  |       |  |        | Expired 01.01.10 |
| 19   | Z513022000 | PULSADOR NEGRO                | BLACK BUTTON                | 1       |  |                              |  |  |  |       |  |        | Active 01.01.10  |
| 20   | R223005000 | RESISTENCIA TANQUE            | TANK RESISTOR               | 1       |  |                              |  |  |  |       |  |        |                  |
| 21   | Z603602000 | SOPORTE RESISTENCIATANQUE     | TANK RESISTOR SUPPORT       | 1       |  |                              |  |  |  |       |  |        |                  |
|      | Q232040000 | ARANDELA A6                   | WASHER A6                   | 1       |  |                              |  |  |  |       |  |        |                  |
|      | Q162040000 | TUERCA EXAGONAL M6            | HEXAGONAL NUT M6            | 1       |  |                              |  |  |  |       |  |        |                  |
| 22   | Z401713000 | CAPERUZA RESISTENC. CALDERIN  | BOILER RESIST. CAP          | 1       |  |                              |  |  |  |       |  |        |                  |
|      | Q163140000 | TUERCA EXAGONAL M6 LATON      | HEXAGONAL NUT M6 BRASS      | 2       |  |                              |  |  |  |       |  |        |                  |
|      | Q242030000 | ARANDELA ABANICO A5 A.304     | FAN WASHER A5 A.304         | 2       |  |                              |  |  |  |       |  |        |                  |
|      | Q152004000 | TORNILLO APLASTADO M5x13 A304 | FLAT HEADED BOLT M5x13 A304 | 2       |  |                              |  |  |  |       |  |        |                  |
| 23   | Z421712000 | RESISTENCIA CALDERIN 2800W    | BOILER RESISTOR 2800W       | 1       |  |                              |  |  |  |       |  |        |                  |
|      | Q221301000 | TUERCA EXAG.AUTOBLOCANTE M6   | SELF-LOCK HEX NUT M6        | 2       |  |                              |  |  |  |       |  |        |                  |
|      | Q163140000 | TUERCA EXAGONAL M6 LATON      | HEXAGONAL NUT M6 BRASS      | 5       |  |                              |  |  |  |       |  |        |                  |
|      | Q262040000 | ARANDELA GROW. A6 A.304       | WASHER GROW. A6 A.304       | 5       |  |                              |  |  |  |       |  |        |                  |
| 24   | Q307053000 | JUNTA TORICA 43.82X54.48X5.35 | "O" RING 43.82X54.48X5.35   | 1       |  |                              |  |  |  |       |  |        |                  |
| 25   | Z393005000 | TERMOSTATO CALDERIN           | WASH DRUM THERMOSTAT        | 1       |  |                              |  |  |  |       |  |        |                  |
|      | Q152024000 | TORNILLO AVELLANADO M4X8 A304 | COUNTERSUNK BOLT M4X8 A304  | 2       |  |                              |  |  |  |       |  |        |                  |
| 26   | N503017000 | SOPORTE TERMOSTATO 1001713    | THERMOSTAT SUPPORT 1001713  | 1       |  |                              |  |  |  |       |  |        |                  |
| 27   | Z718441000 | TERMOSTATO DOBLE W            | DOUBLE THERMOSTAT W         | 1       |  |                              |  |  |  |       |  |        |                  |
| 28   | V817100000 | CONDENSADOR 6 M.F.            | CONDENSER 6 M.F.            | 1       |  |                              |  |  |  |       |  |        |                  |
|      |            |                               |                             |         |  |                              |  |  |  |       |  |        |                  |
|      |            |                               |                             |         |  |                              |  |  |  |       |  |        |                  |
|      |            |                               |                             |         |  |                              |  |  |  |       |  |        |                  |
|      |            |                               |                             |         |  |                              |  |  |  |       |  |        |                  |
|      |            |                               |                             |         |  |                              |  |  |  |       |  |        |                  |
|      |            |                               |                             |         |  |                              |  |  |  |       |  |        |                  |
|      |            |                               |                             |         |  |                              |  |  |  |       |  |        |                  |



N plano  
**C-2123**  
Firma  
*(Firma)*  
Fecha  
**2009-10**  
Aparato  
**LAVAVASOS LVC**  
CESTILLOS  
Lamina  
**14**  
Fagor Industrial S. Coop. **FAGOR**  
Omate

ITEM MARCADO EN COLOR = REPUESTO RECOMENDADO  
COLOURED ITEM = RECOMMENDED SPARE PART



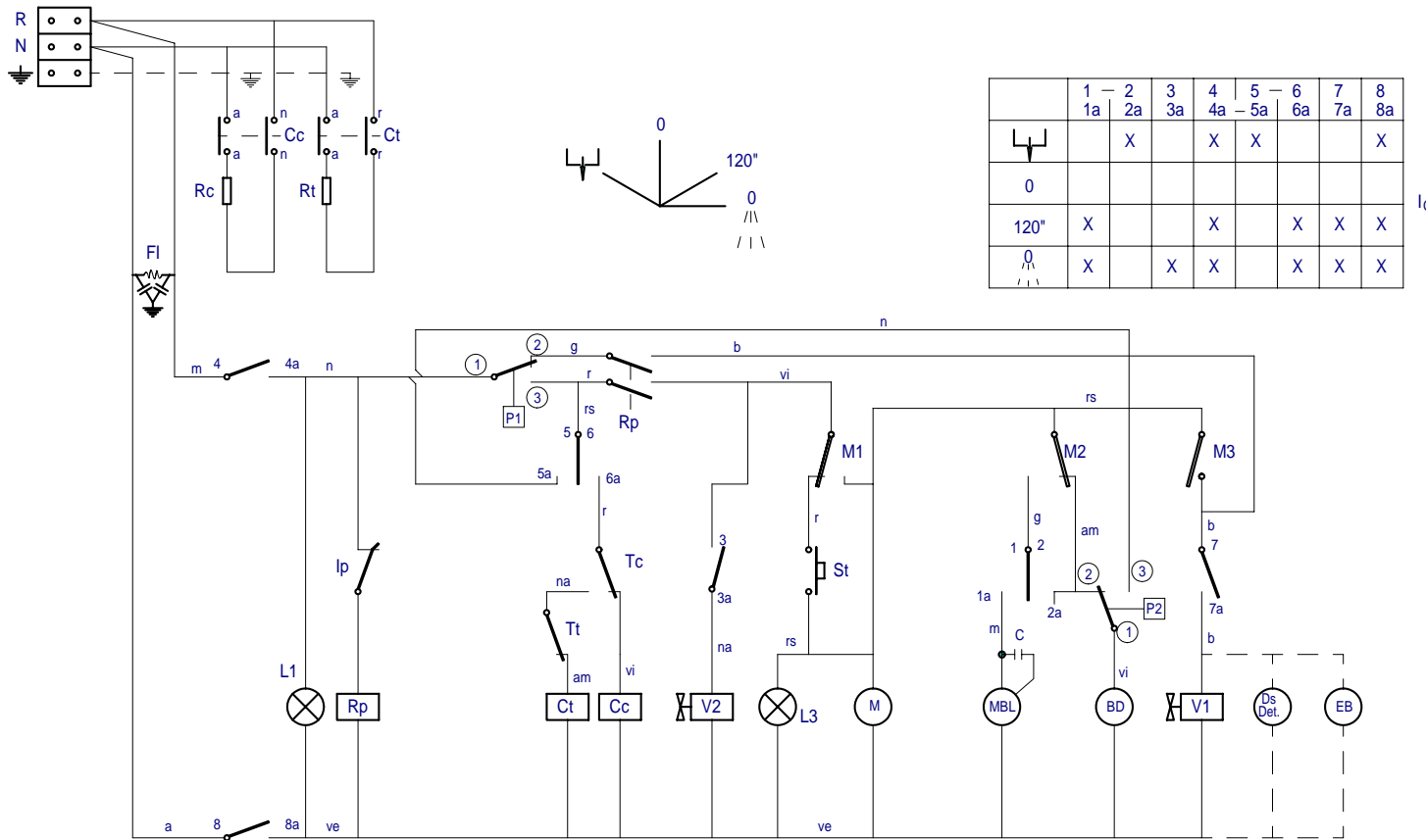
|             |           |             |           |              |        |
|-------------|-----------|-------------|-----------|--------------|--------|
| <b>MOD.</b> | LAVAVASOS | <b>ZONA</b> | CESTILLOS | <b>PLANO</b> | C-2123 |
|-------------|-----------|-------------|-----------|--------------|--------|

| ITEM | CODE       | DENOMINACION                  | TEXT                       | LVC-12 | LVC-15 | LVC-15D | LVC-21 | LVC-21D | LVC-21B | LVC-21C | LVC-21W | NOTES |
|------|------------|-------------------------------|----------------------------|--------|--------|---------|--------|---------|---------|---------|---------|-------|
| 1    | Z415320000 | CESTILLO LVC-12/15            | BASKET LVC-12/15           | 2      | 2      | 2       | —      | —       | —       | —       | —       |       |
| 1    | Z445320000 | CESTILLO LVC-21               | BASKET LVC-21              | —      | —      | —       | 2      | 2       | 2       | 2       | 2       |       |
| 2    | Z605303000 | CESTILLO CUBIERTOS            | CUTLERY BASKET             | 1      | 1      | 1       | 1      | 1       | 1       | 1       | 1       |       |
| 3    | Z605302000 | SUPLEMENT. CESTILLOS LAVA.-12 | SUPPLEMENT. WASH BASKET.-1 | —      | 1      | 1       | —      | —       | —       | —       | —       |       |
| 4    | Z625302000 | SUPLEMENT. PLATILLOS LAVAV.18 | SUPPLEMENT. GLASS WASHER P | —      | —      | —       | 1      | 1       | 1       | 1       | 1       |       |
|      |            |                               |                            |        |        |         |        |         |         |         |         |       |
|      |            |                               |                            |        |        |         |        |         |         |         |         |       |
|      |            |                               |                            |        |        |         |        |         |         |         |         |       |
|      |            |                               |                            |        |        |         |        |         |         |         |         |       |
|      |            |                               |                            |        |        |         |        |         |         |         |         |       |
|      |            |                               |                            |        |        |         |        |         |         |         |         |       |
|      |            |                               |                            |        |        |         |        |         |         |         |         |       |
|      |            |                               |                            |        |        |         |        |         |         |         |         |       |
|      |            |                               |                            |        |        |         |        |         |         |         |         |       |
|      |            |                               |                            |        |        |         |        |         |         |         |         |       |
|      |            |                               |                            |        |        |         |        |         |         |         |         |       |
|      |            |                               |                            |        |        |         |        |         |         |         |         |       |
|      |            |                               |                            |        |        |         |        |         |         |         |         |       |
|      |            |                               |                            |        |        |         |        |         |         |         |         |       |
|      |            |                               |                            |        |        |         |        |         |         |         |         |       |
|      |            |                               |                            |        |        |         |        |         |         |         |         |       |
|      |            |                               |                            |        |        |         |        |         |         |         |         |       |

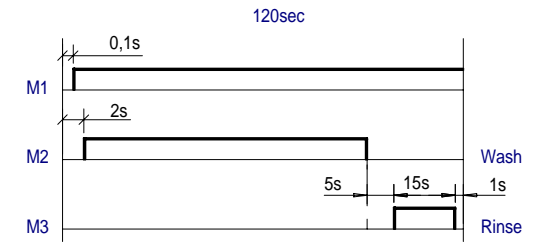
| MOD. | LAVAVASOS  |                             |                            | ZONA   | VARIOS |         |        |         |         |         |         |                | PLANO |  |
|------|------------|-----------------------------|----------------------------|--------|--------|---------|--------|---------|---------|---------|---------|----------------|-------|--|
| ITEM | CODIGO     | DENOMINACION                | TEXTO                      | LVC-12 | LVC-15 | LVC-15D | LVC-21 | LVC-21D | LVC-21B | LVC-21C | LVC-21W | NOTAS          |       |  |
|      | Z406132000 | FOLLETO INSTRUCCIONES       | INSTRUCTION LEAFLET.       | 1      | 1      | 1       | 1      | 1       | 1       | 1       | -       |                |       |  |
|      | Z408432000 | FOLLETO INSTRUCCIONES       | INSTRUCTION LEAFLET.       | -      | -      | -       | -      | -       | -       | -       | 1       |                |       |  |
|      | Z393010000 | ESQUEMA TEORICO ADH. LVC-12 | THEORETICAL. DIAGRAM ADHE. | 1      | -      | -       | -      | -       | -       | -       | -       | PLANO HC-16738 |       |  |
|      | Z403014000 | ESQUEMA TEORICO ADH. LVC-15 | THEORETICAL DIAGRAM ADHE.  | -      | 1      | -       | 1      | -       | -       | -       | -       | PLANO HC-16496 |       |  |
|      | Z473002000 | ESQUEMA TEORICO AD. LVC-15D | THEORETICAL DIAGRAM ADHE.  | -      | -      | 1       | -      | 1       | -       | -       | -       | PLANO HC-16531 |       |  |
|      | Z433009000 | ESQUEMA TEORICO AD. LVC-21B | THEORETICAL DIAGRAM ADHE.  | -      | -      | -       | -      | -       | 1       | 1       | -       | PLANO HC-17195 |       |  |
|      | Z438402000 | ESQUEMA TEORICO AD. LVC-21W | THEORETICAL DIAGRAM ADHE.  | -      | -      | -       | -      | -       | -       | -       | 1       | PLANO HC-17117 |       |  |
|      | Z393035000 | ESQUEMA MONTAJE LVC-12      | ASSEMBLY DIAGRAM LVC-12    | 1      | -      | -       | -      | -       | -       | -       | -       | PLANO HC-16386 |       |  |
|      | Z403035000 | ESQUEMA MONTAJE LVC-15      | ASSEMBLY DIAGRAM LVC-15    | -      | 1      | -       | 1      | -       | -       | -       | -       | PLANO HC-16385 |       |  |
|      | Z473035000 | ESQUEMA MONTAJE LVC-15D     | ASSEMBLY DIAGRAM LVC-15D   | -      | -      | 1       | -      | 1       | -       | -       | -       | PLANO HC-16530 |       |  |
|      | Z433035000 | ESQUEMA MONTAJE LVC-21B     | ASSEMBLY DIAGRAM LVC-21B   | -      | -      | -       | -      | -       | 1       | 1       | -       | PLANO HC-16383 |       |  |
|      | Z433036000 | ESQUEMA MONTAJE LVC-21W     | ASSEMBLY DIAGRAM LVC-21W   | -      | -      | -       | -      | -       | -       | -       | 1       | PLANO HC-18001 |       |  |
|      | Z393001000 | INSTALACION ELECTRICA       | ELECTRIC INSTALLATION      | 1      | -      | -       | -      | -       | -       | -       | -       |                |       |  |
|      | Z403011000 | INSTALACION ELECTRICA       | ELECTRIC INSTALLATION      | -      | 1      | 1       | 1      | 1       | 1       | 1       | 1       |                |       |  |
|      | Z603041000 | CABLE ALIMENTACION          | SUPPLY CABLE               | 1      | 1      | 1       | 1      | 1       | 1       | 1       | 1       |                |       |  |
|      | Z473001000 | CABLEADO DESCALCIFICADOR    | WATER SOFTENER WIRING      | -      | -      | 1       | -      | 1       | -       | -       | -       |                |       |  |
|      | Z433005000 | CABLEADO BOMBA DESAGÜE      | DRAINAGE PUMP WIRING       | -      | -      | -       | -      | -       | 1       | 1       | 1       |                |       |  |
|      | Z228436000 | CABLE DE ALIMENTACION USA   | POWER CABLE USA            | -      | -      | -       | -      | -       | -       | -       | 1       |                |       |  |
|      |            |                             |                            |        |        |         |        |         |         |         |         |                |       |  |
|      |            |                             |                            |        |        |         |        |         |         |         |         |                |       |  |
|      |            |                             |                            |        |        |         |        |         |         |         |         |                |       |  |
|      |            |                             |                            |        |        |         |        |         |         |         |         |                |       |  |
|      |            |                             |                            |        |        |         |        |         |         |         |         |                |       |  |
|      |            |                             |                            |        |        |         |        |         |         |         |         |                |       |  |
|      |            |                             |                            |        |        |         |        |         |         |         |         |                |       |  |
|      |            |                             |                            |        |        |         |        |         |         |         |         |                |       |  |
|      |            |                             |                            |        |        |         |        |         |         |         |         |                |       |  |
|      |            |                             |                            |        |        |         |        |         |         |         |         |                |       |  |
|      |            |                             |                            |        |        |         |        |         |         |         |         |                |       |  |

# Mods.: LVC - 21 W

208-220-240 V. 1Ph



|      | 1<br>1a | 2<br>2a | 3<br>3a | 4<br>4a | 5<br>5a | 6<br>6a | 7<br>7a | 8<br>8a |
|------|---------|---------|---------|---------|---------|---------|---------|---------|
|      |         | X       |         | X       | X       |         |         | X       |
| 0    |         |         |         | X       |         | X       | X       | X       |
| 120" | X       |         |         | X       |         | X       | X       | X       |
|      | X       |         | X       | X       |         | X       | X       | X       |



Colours code-Code de couleurs-Codigo de colores:

- r = red-rouge-rojo
- m = brown-marron-marron
- g = grey-gris-gris
- n = black-noir-negro
- a = blue-bleu-azul
- b = white-blanc-blanco
- vi = violette-violet-violeta
- am = yellow-jaune-amarillo
- na = orange-orange-naranja
- rs = rose-pink-rosa
- ve = green-vert-verte
- am/ve = yellow green-jaune vert-amar./verde

I<sub>G</sub> = General switch  
 L1 = On lamp  
 Ip = Door micro  
 Rp = Door relay  
 P1 = Pressure switch  
 Tc = Drum thermostat  
 Tt = Tank thermostat  
 Cc = Drum contactor  
 Ct = Tank contactor  
 L2 = Machine ready light  
 Rc = Drum heating element  
 St = Start button  
 FI = Interferences filter  
 BD = Drain pump

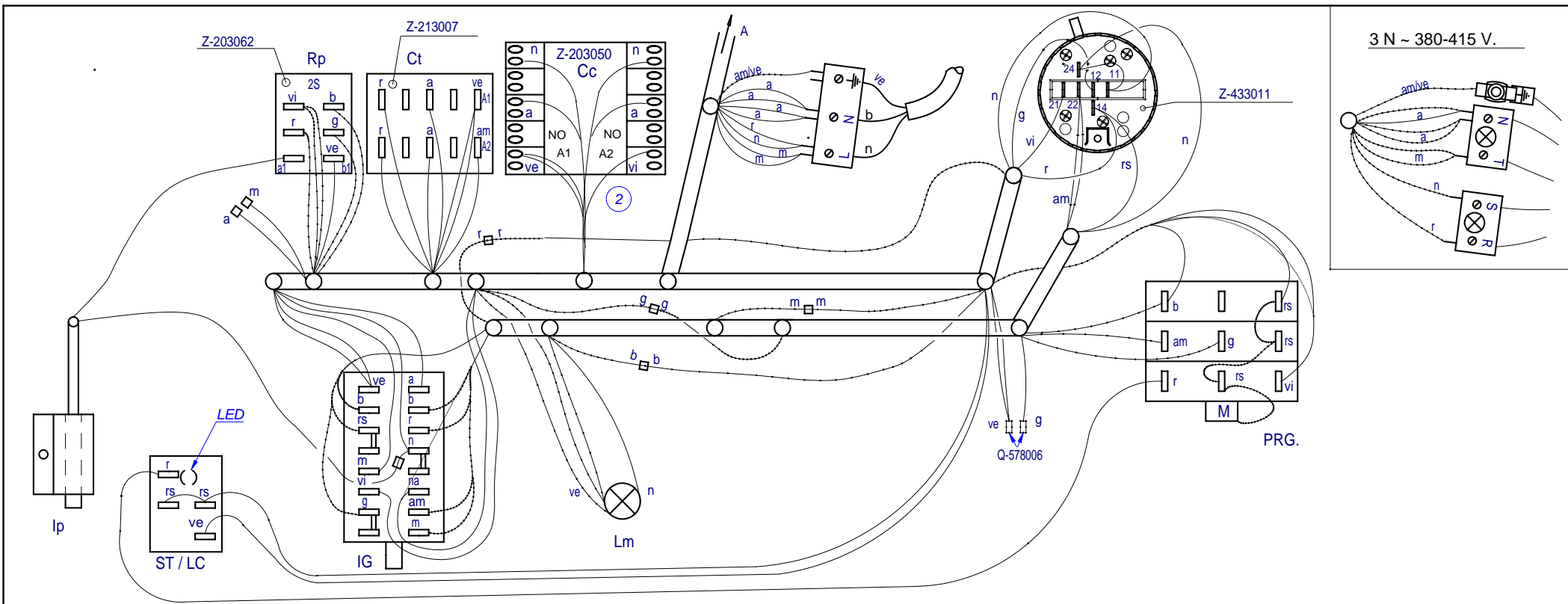
Interrupteur general  
 Témoin de marche  
 Micro de porte  
 Relais de porte  
 Presostat  
 Thermostat du surchauffeur  
 Thermostat de cuve  
 Contacteur du surchauffeur  
 Contacteur de cuve  
 Témoin de marchine préparée  
 Resistance du surchauffeur  
 Bouton de marche  
 Filtre d'interferences  
 Pompe de vidange

Interruptor General  
 Lampara de marcha  
 Micro de puerta  
 Relé puerta  
 Presostato  
 Termostato calderin  
 Termostato tanque  
 Contacteur calderin  
 Contacteur tanque  
 Lampara máquina preparada  
 Resistencia calderin  
 Pulsador de marcha  
 Filtro de interferencias  
 Bomba de Desagüe

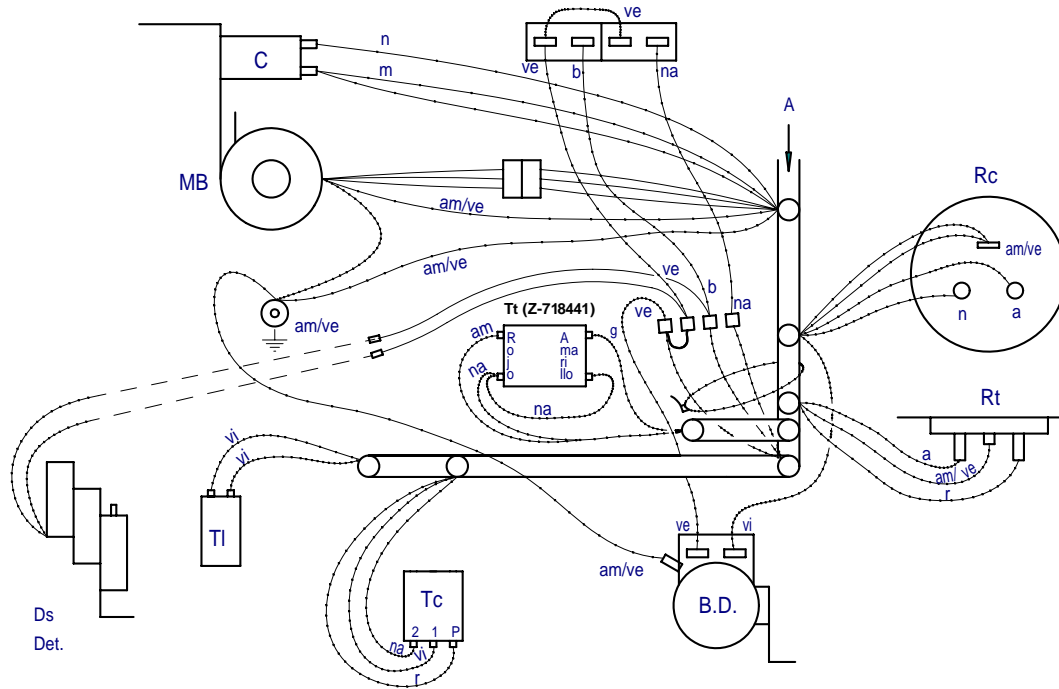
Rt = Tank heating element  
 M = Motor programmer  
 M1 = Micro programmer on  
 M2 = Micro programmer wash  
 M3 = Micro programmer rinse  
 L3 = Cycle light  
 MBL = Motor pump wash  
 C = Motor pump condenser  
 V1 = Filling and rinsing valve  
 V2 = Cold rinsing valve  
 Ds Det = Detergent dispenser (Optional)  
 P2 = Safety pressure switch  
 EB = Electric pressure pump (Optional)

Resistance de cuve  
 Moteur du programmateur  
 Micro du programm. de marche  
 Micro du programm. de lavage  
 Micro du programm. de rincage  
 Témoin de cycle  
 Motobopompe de lavage  
 Condensateur de la motopompe  
 Valve de remplissage et de vidange  
 Valve de rincage froid  
 Doseur de detergent (Option)  
 Presostat de sécurité  
 Electropompe de pression (Option)

Resistencia tanque  
 Motor programador  
 Micro programador marcha  
 Micro programador lavado  
 Micro programador aclarado  
 Lámpara de ciclo  
 Motobomba lavado  
 Condensador de motobomba  
 Válvula de llenado y aclarado  
 Válvula aclarado en frio  
 Dosificador de detergente (opcional)  
 Presostato de seguridad  
 Electrobomba de presión (Opcional)



Calderín / Boiler Agua Fria / Cold water



| ESQUEMA MONTAJE LVC-21W |  |                              |                  | Z433036000        |   |                |
|-------------------------|--|------------------------------|------------------|-------------------|---|----------------|
| Zk./Nº                  | Pieza  | Cant.                        | Materia/Material | Klas. zk/Nº Clas. | Gainazal akabera/Tratamiento              |                |
| Zk./Nº                  | Aldaketa/Modificaciones                                | Nork proposatua/Propuesta de |                  | Data/Fecha        | Perdoi orokorrak<br>Tolerancias generales |                |
| 1                       | Modificar cableado presostato por cambio en presostato | scaro                        |                  | 2007-03-21        |   |                |
| 2                       | Aldatu kalderineko kontaktoea Z213007 --> Z203050      | scaro                        |                  | 2008-11-01        | < 5 ± 0.2                                 | 50 ÷ 100 ± 0.8 |
| -                       | -  | -                            |                  | -                 | 5 ÷ 25 ± 0.4                              | >100 ± 1       |
| -                       | -  | -                            |                  | -                 | 25 ÷ 50 ± 0.6                             | α ± 1          |
| -                       | -  | -                            |                  | -                 |   |                |

|                        |  | Sinadura/Firma  | Data/Fecha | FAGOR                                |  | Gainazal perdoia<br>Mecanizado superficial |  |
|------------------------|--|---|------------|--------------------------------------|--|--|--|
| Marraztua/Dibujado     |  | S.N.  | 2006-12-20 | Fagor Industrial, Koop. Elk. Mugatua |  | -  |  |
| Proiektatua/Proyectado |  | -   | -          |                                      |  | Plano Zk./Plano Nº<br>HC-18001 -01         |  |
| Egiaztatua/Comprobado  |  | ENERITZ   | -          |                                      |  | -  |  |
| Eskala/Escala          |  | <b>LAVAVASOS</b>  |            |                                      |  | -  |  |
|                        |  | Plano hau ezin daiteke erabili, ez berritatu, gure baimenik gabe. |            |                                      |  | - Zk. ord. du                              |  |
|                        |  |   |            |                                      |  | - Zk. gaitik ord.                          |  |