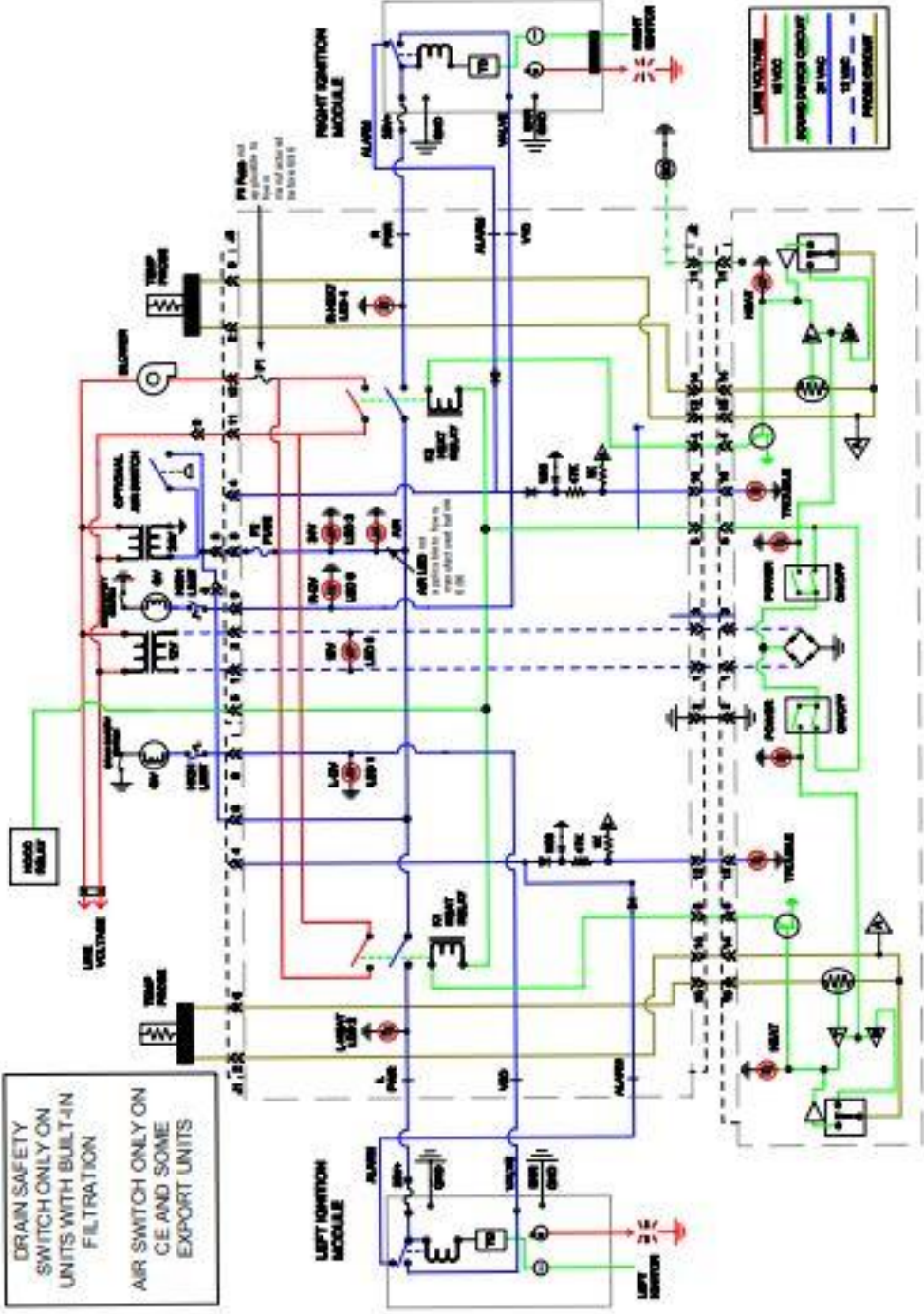


DRAIN SAFETY ON SWITCH ONLY ON UNITS WITH BUILT-IN FILTRATION

AIR SWITCH ONLY ON C.E AND SOME EXPORT UNITS



LINE VOLTAGE	24 VDC
POWER DEVICE CIRCUITRY	24 VDC
POWER CONTROL	12 VDC
PROCESS CONTROL	12 VDC

PT Pin on the board is for the real status of the real status of the board.

LEFT SWITCH

LEFT IGNITION MODULE

RIGHT IGNITION MODULE

MODE RELAY

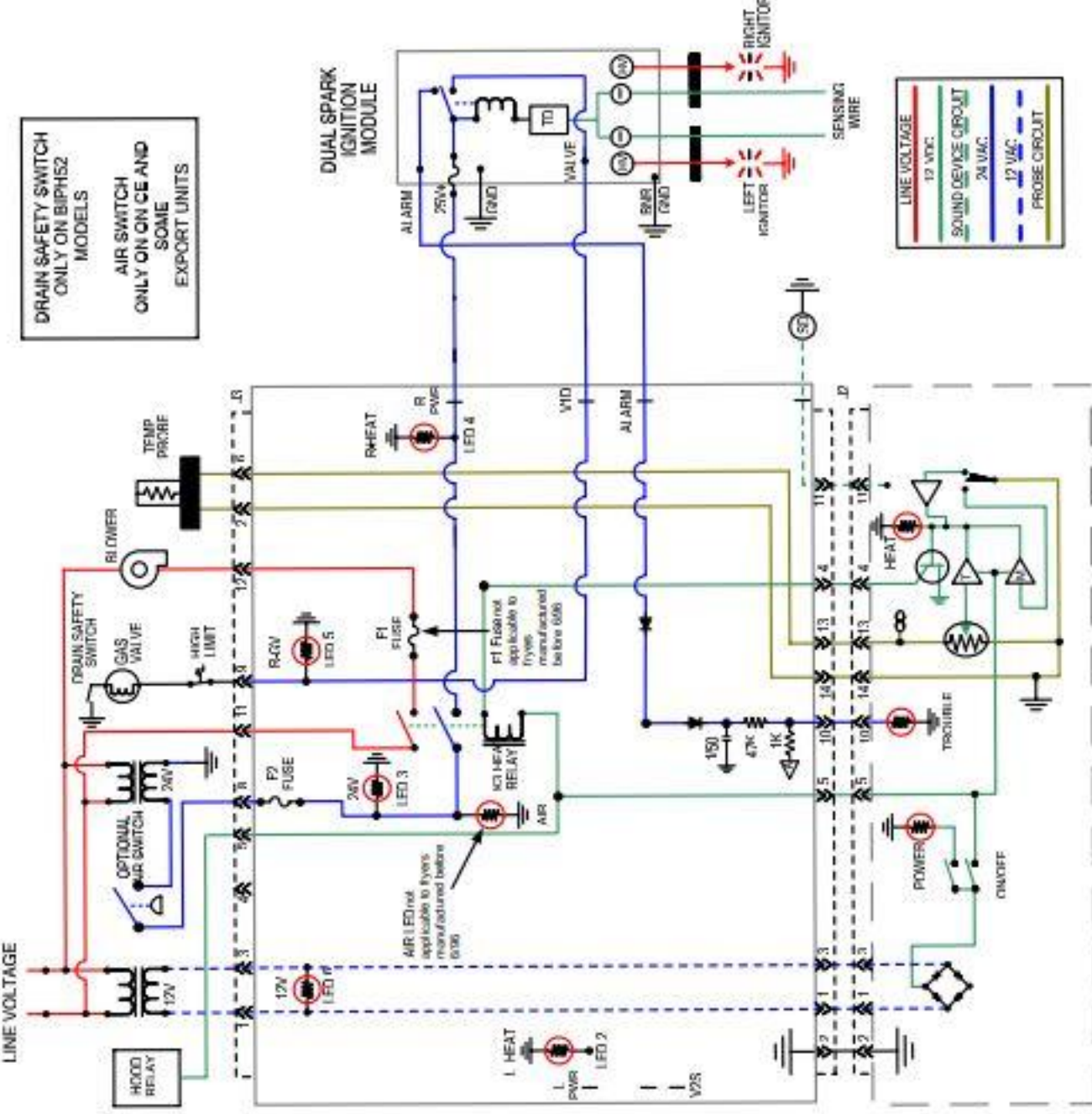
TEMP PROBE

TEMP PROBE

PT PIN

**DRAIN SAFETY SWITCH
ONLY ON BIPHASE
MODELS**

**AIR SWITCH
ONLY ON ON CE AND
SOME
EXPORT UNITS**



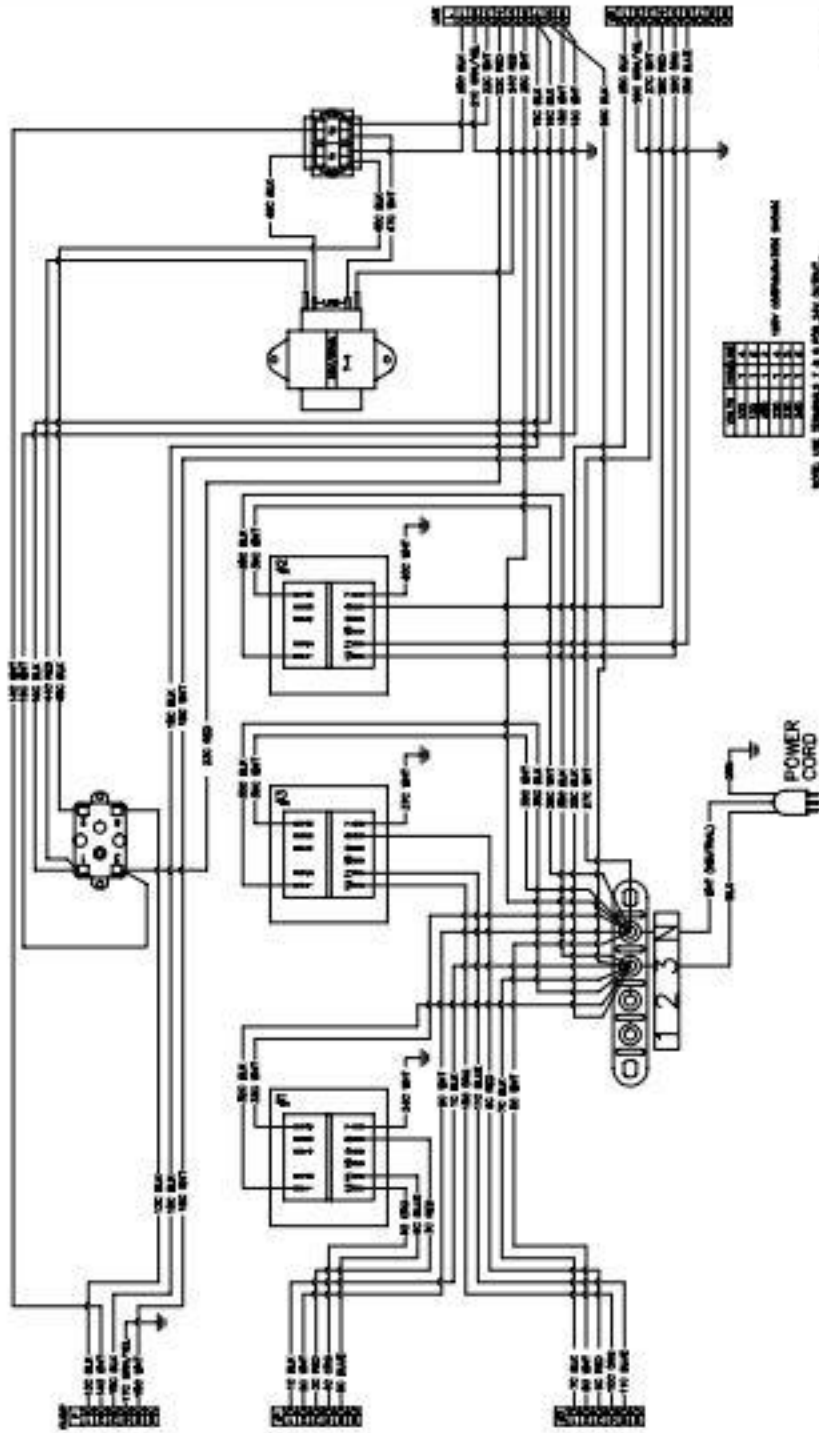
**DUAL SPARK
IGNITION
MODULE**

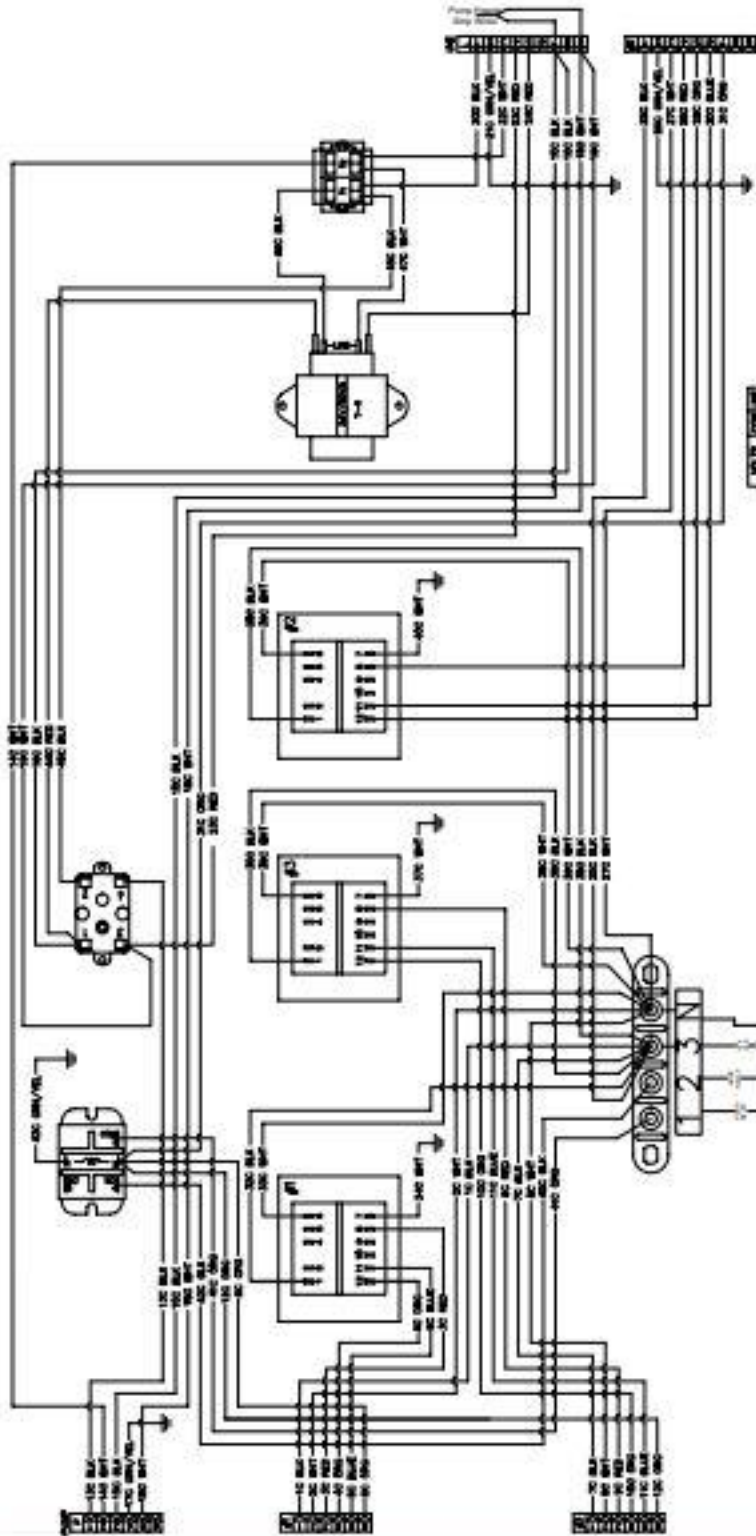
LINE VOLTAGE
120 VAC
SOUND DEVICE CIRCUIT
24 VAC
12 VAC
PROBE CIRCUIT

F1 Fuse not applicable to flyers manufactured before 6/99

AIR LED not applicable to flyers manufactured before 6/99

POWER ON/OFF





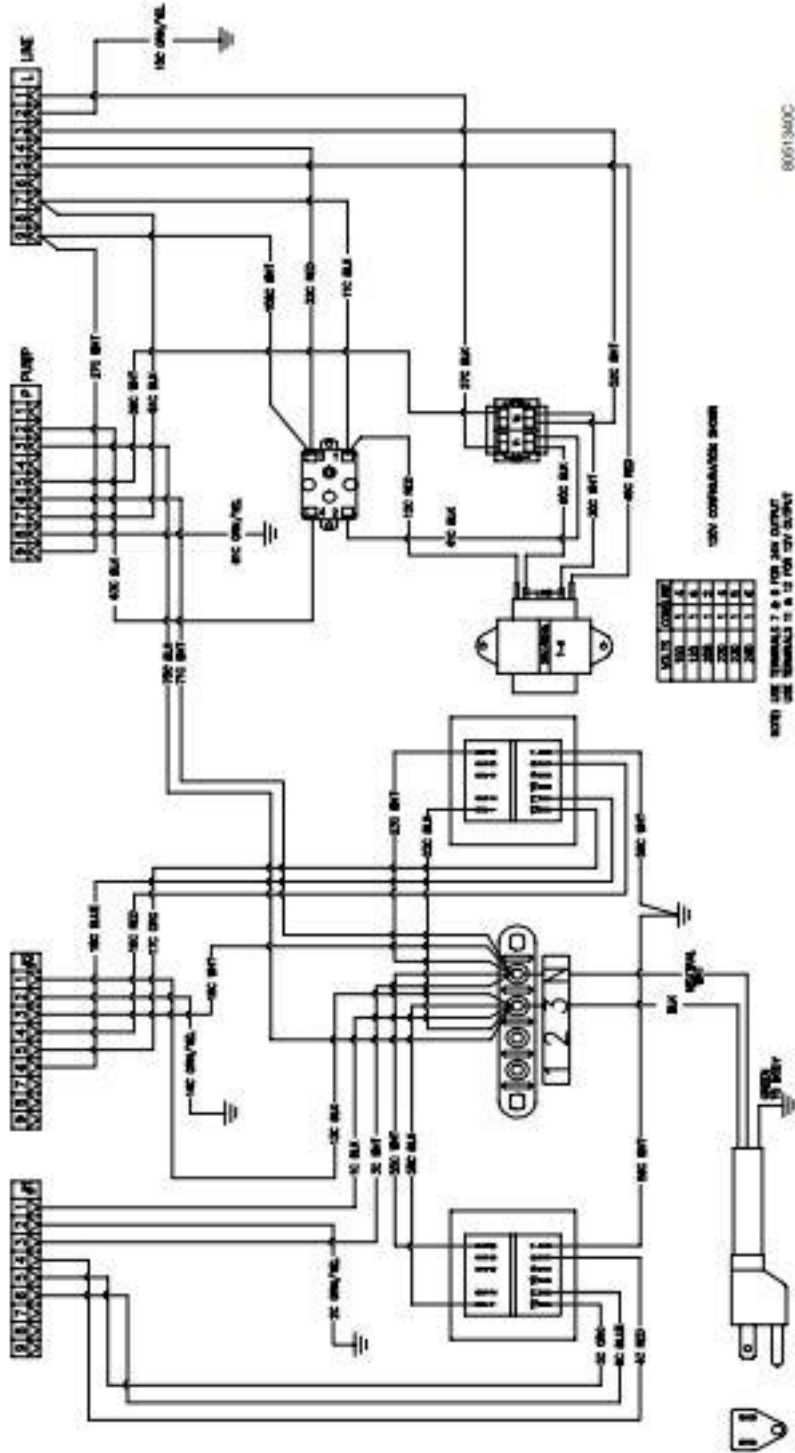
WIRE COLOR	WIRE SIZE	WIRE TYPE
RED	18	THHN
BLACK	18	THHN
WHITE	18	THHN
GREEN	18	THHN
BROWN	18	THHN
BLUE	18	THHN
PINK	18	THHN
GRAY	18	THHN
YELLOW	18	THHN
ORANGE	18	THHN
PURPLE	18	THHN
TEAL	18	THHN
LIGHT BLUE	18	THHN
LIGHT GREEN	18	THHN
LIGHT PINK	18	THHN
LIGHT GRAY	18	THHN
LIGHT YELLOW	18	THHN
LIGHT ORANGE	18	THHN
LIGHT PURPLE	18	THHN
LIGHT TEAL	18	THHN
LIGHT LIGHT BLUE	18	THHN
LIGHT LIGHT GREEN	18	THHN
LIGHT LIGHT PINK	18	THHN
LIGHT LIGHT GRAY	18	THHN
LIGHT LIGHT YELLOW	18	THHN
LIGHT LIGHT ORANGE	18	THHN
LIGHT LIGHT PURPLE	18	THHN
LIGHT LIGHT TEAL	18	THHN

120V COMPUTER SYSTEM

120V COMPUTER SYSTEM

120V COMPUTER SYSTEM

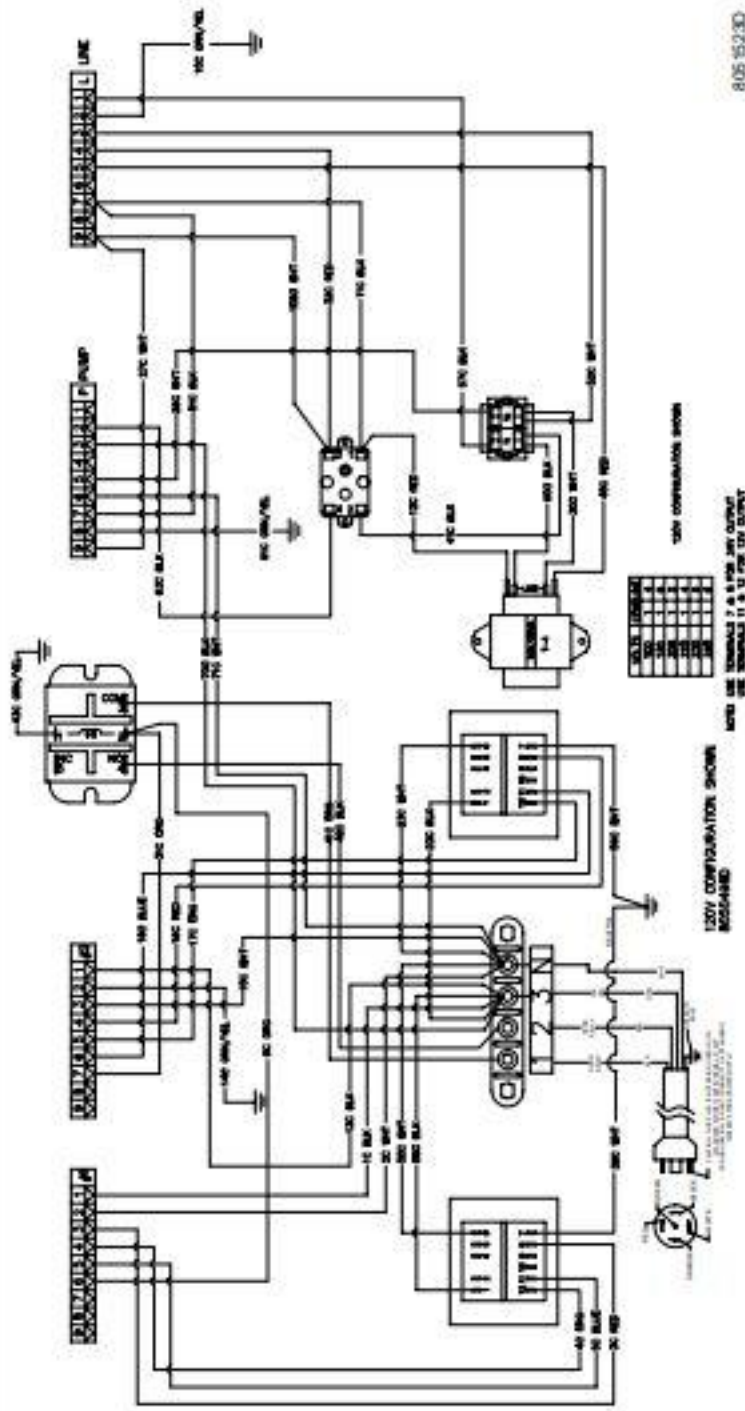
120V COMPUTER SYSTEM

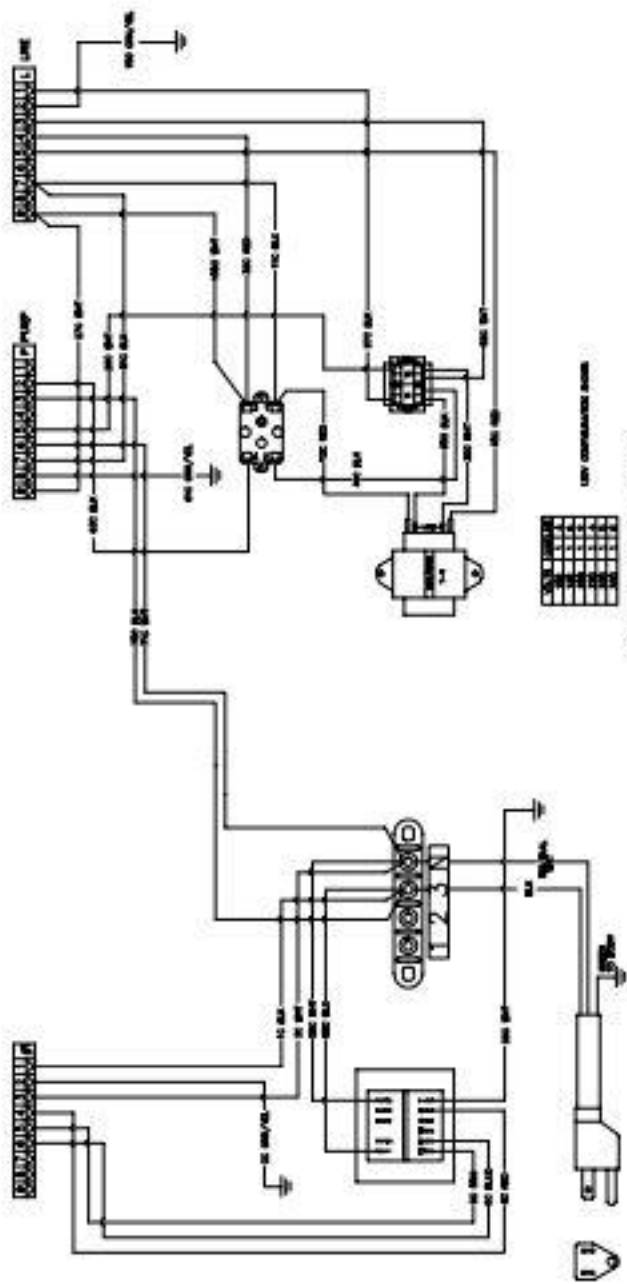


10V COMPARETOR SCHEM

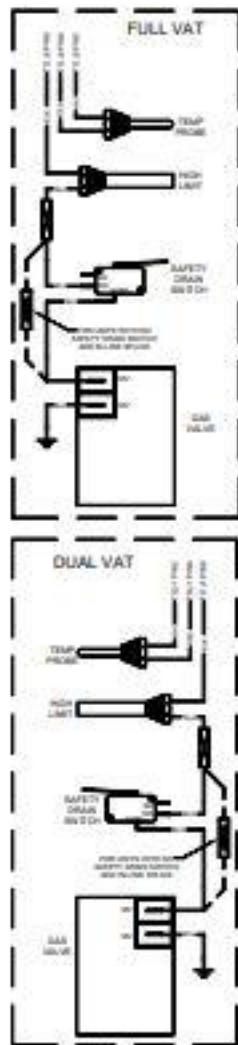
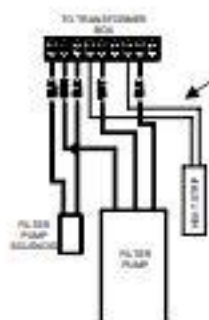
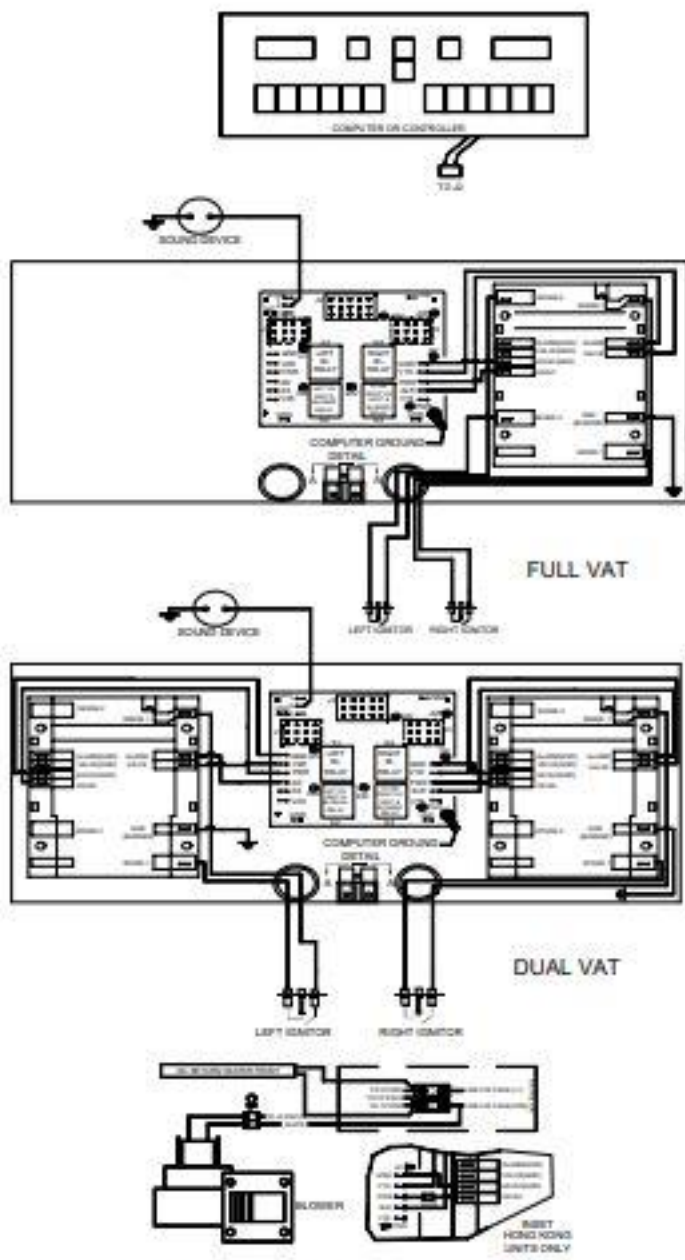
VOLTS		COMLINE	
100	1	1	1
100	1	1	1
100	1	1	1
100	1	1	1
100	1	1	1
100	1	1	1
100	1	1	1
100	1	1	1
100	1	1	1
100	1	1	1

NOTE: USE TERMINALS 7 & 8 FOR 30V OUTPUT
 USE TERMINALS 10 & 11 FOR 12V OUTPUT





The Heat Strip is not present here on 352/355's and 552/555's.



Refer to "PRINCIPAL WIRING CONNECTIONS" on Page 1-37 for detail of connection points J1, J2, J3, C2, C3, and C5.