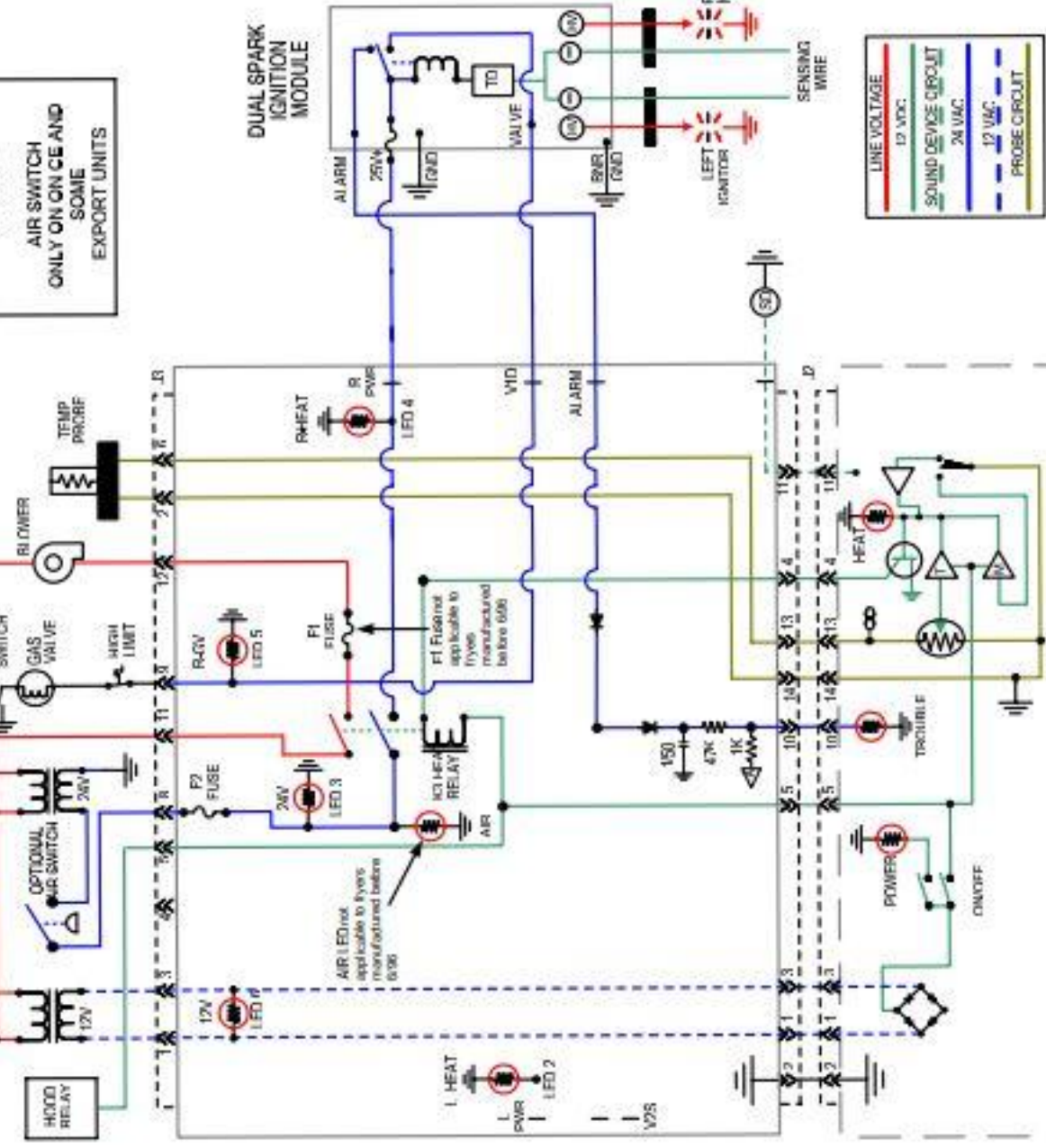


LINE VOLTAGE

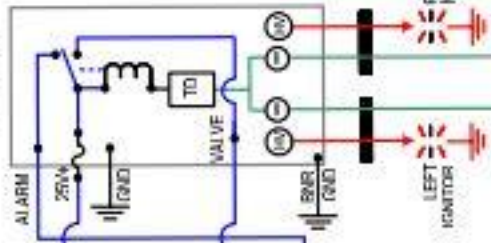
DRAIN SAFETY SWITCH
ONLY ON BIPHASE2
MODELS

AIR SWITCH
ONLY ON ON CE AND
SOME
EXPORT UNITS



LINE VOLTAGE
120 VAC
SOUND DEVICE CIRCUIT
24 VAC
120 VAC
PROBE CIRCUIT

DUAL SPARK
IGNITION
MODULE



FI Fuse not applicable to furnaces manufactured before 6/96

AIR LED not applicable to furnaces manufactured before 6/96

ON/OFF

TRUBLE

HEAT

ALARM

VID

ALARM

25V

VALVE

TD

240V

120V

24V

GROUND

GROUND

RIGHT IGNITOR

LEFT IGNITOR

SENSING WIRE

24V

120V

240V

GROUND

GROUND

RIGHT IGNITOR

LEFT IGNITOR

SENSING WIRE

24V

120V

240V

GROUND

GROUND

RIGHT IGNITOR

LEFT IGNITOR

SENSING WIRE

24V

120V

240V

GROUND

GROUND

RIGHT IGNITOR

LEFT IGNITOR

SENSING WIRE

24V

120V

240V

GROUND

GROUND

RIGHT IGNITOR

LEFT IGNITOR

SENSING WIRE

24V

120V

240V

GROUND

GROUND

RIGHT IGNITOR

LEFT IGNITOR

SENSING WIRE

24V

120V

240V

GROUND

GROUND

RIGHT IGNITOR

LEFT IGNITOR

SENSING WIRE

24V

120V

240V

GROUND

GROUND

RIGHT IGNITOR

LEFT IGNITOR

SENSING WIRE

24V

120V

240V

GROUND

GROUND

RIGHT IGNITOR

LEFT IGNITOR

SENSING WIRE

24V

120V

240V

GROUND

GROUND

RIGHT IGNITOR

LEFT IGNITOR

SENSING WIRE

24V

120V

240V

GROUND

GROUND

RIGHT IGNITOR

LEFT IGNITOR

SENSING WIRE

24V

120V

240V

GROUND

GROUND

RIGHT IGNITOR

LEFT IGNITOR

SENSING WIRE

24V

120V

240V

GROUND

GROUND

RIGHT IGNITOR

LEFT IGNITOR

SENSING WIRE

24V

120V

240V

GROUND

GROUND

RIGHT IGNITOR

LEFT IGNITOR

SENSING WIRE

24V

120V

240V

GROUND

GROUND

RIGHT IGNITOR

LEFT IGNITOR

SENSING WIRE

24V

120V

240V

GROUND

GROUND

RIGHT IGNITOR

LEFT IGNITOR

SENSING WIRE

24V

120V

240V

GROUND

GROUND

RIGHT IGNITOR

LEFT IGNITOR

SENSING WIRE

24V

120V

240V

GROUND

GROUND

RIGHT IGNITOR

LEFT IGNITOR

SENSING WIRE

24V

120V

240V

GROUND

GROUND

RIGHT IGNITOR

LEFT IGNITOR

SENSING WIRE

24V

120V

240V

GROUND

GROUND

RIGHT IGNITOR

LEFT IGNITOR

SENSING WIRE

24V

120V

240V

GROUND

GROUND

RIGHT IGNITOR

LEFT IGNITOR

SENSING WIRE

24V

120V

240V

GROUND

GROUND

RIGHT IGNITOR

LEFT IGNITOR

SENSING WIRE

24V

120V

240V

GROUND

GROUND

RIGHT IGNITOR

LEFT IGNITOR

SENSING WIRE

24V

120V

240V

GROUND

GROUND

RIGHT IGNITOR

LEFT IGNITOR

SENSING WIRE

24V

120V

240V

GROUND

GROUND

RIGHT IGNITOR

LEFT IGNITOR

SENSING WIRE

24V

120V

240V

GROUND

GROUND

RIGHT IGNITOR

LEFT IGNITOR

SENSING WIRE

24V

120V

240V

GROUND

GROUND

RIGHT IGNITOR

LEFT IGNITOR

SENSING WIRE

24V

120V

240V

GROUND

GROUND

RIGHT IGNITOR

LEFT IGNITOR

SENSING WIRE

24V

120V

240V

GROUND

GROUND

RIGHT IGNITOR

LEFT IGNITOR

SENSING WIRE

24V

120V

240V

GROUND

GROUND

RIGHT IGNITOR

LEFT IGNITOR

SENSING WIRE

24V

120V

240V

GROUND

GROUND

RIGHT IGNITOR

LEFT IGNITOR

SENSING WIRE

24V

120V

240V

GROUND

GROUND

RIGHT IGNITOR

LEFT IGNITOR

SENSING WIRE

24V

120V

240V

GROUND

GROUND

RIGHT IGNITOR

LEFT IGNITOR

SENSING WIRE

24V

120V

240V

GROUND

GROUND

RIGHT IGNITOR

LEFT IGNITOR

SENSING WIRE

24V

120V

240V

GROUND

GROUND

RIGHT IGNITOR

LEFT IGNITOR

SENSING WIRE

24V

120V

240V

GROUND

GROUND

RIGHT IGNITOR

LEFT IGNITOR

SENSING WIRE

24V

120V

240V

GROUND

GROUND

RIGHT IGNITOR

LEFT IGNITOR

SENSING WIRE

24V

120V

240V

GROUND

GROUND

RIGHT IGNITOR

LEFT IGNITOR

SENSING WIRE

24V

120V

240V

GROUND

GROUND

RIGHT IGNITOR

LEFT IGNITOR

SENSING WIRE

24V

120V

240V

GROUND

GROUND

RIGHT IGNITOR

LEFT IGNITOR

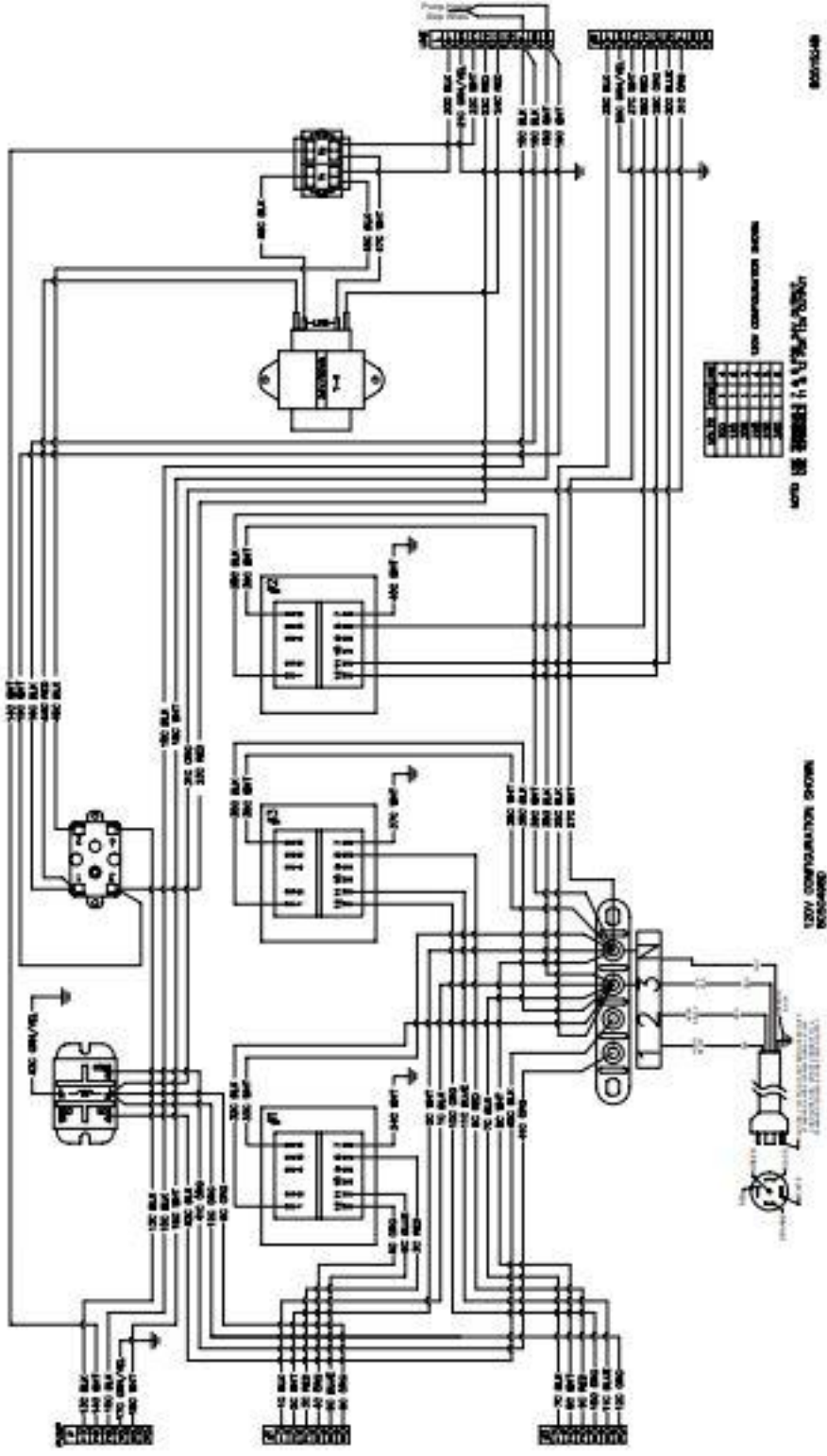
SENSING WIRE

24V

120V

240V

GROUND

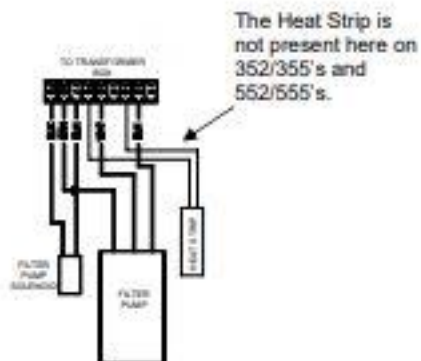
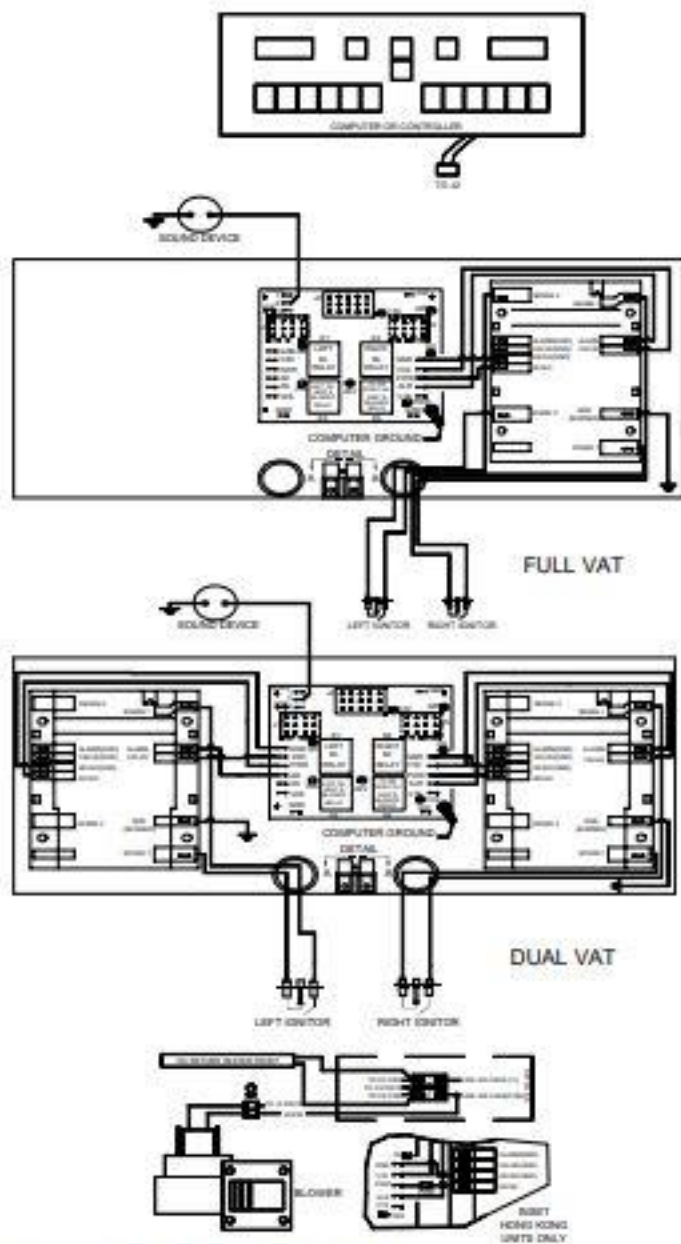


WIRE	RELAY	CONTACT	WIRE
1	R1	1-1	1
2	R1	1-2	2
3	R1	1-3	3
4	R1	1-4	4
5	R1	1-5	5
6	R1	1-6	6
7	R1	1-7	7
8	R1	1-8	8
9	R1	1-9	9
10	R1	1-10	10
11	R1	1-11	11
12	R1	1-12	12
13	R2	2-1	13
14	R2	2-2	14
15	R2	2-3	15
16	R2	2-4	16
17	R2	2-5	17
18	R2	2-6	18
19	R2	2-7	19
20	R2	2-8	20
21	R2	2-9	21
22	R2	2-10	22
23	R2	2-11	23
24	R2	2-12	24
25	R3	3-1	25
26	R3	3-2	26
27	R3	3-3	27
28	R3	3-4	28
29	R3	3-5	29
30	R3	3-6	30
31	R3	3-7	31
32	R3	3-8	32
33	R3	3-9	33
34	R3	3-10	34
35	R3	3-11	35
36	R3	3-12	36

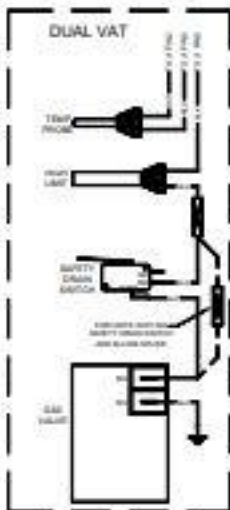
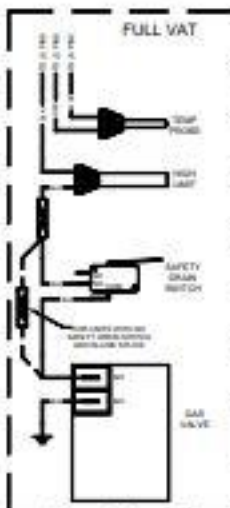
NOTE: USE TERMINALS IN 1/2" PANEL POSITION

120V COMPUTER SHOWN REWOUND

TRANSFORMER WITH 120V PRIMARY



The Heat Strip is not present here on 352/355's and 552/555's.



Refer to "PRINCIPAL WIRING CONNECTIONS" on Page 1-37 for detail of connection points J1, J2, J3, C2, C3, and C5.