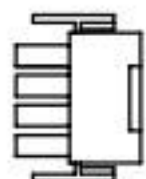


2-PIN FEMALE CONNECTOR

PIN 2 WHITE
PIN 1 BLACK

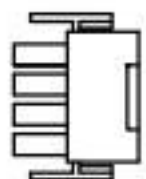


12-PIN MALE CONNECTOR

PIN 11 BLACK
PIN 12 BLACK
PIN 8 RED

WHITE
BLACK

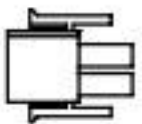
PIN 8 RED



12-PIN MALE CONNECTOR

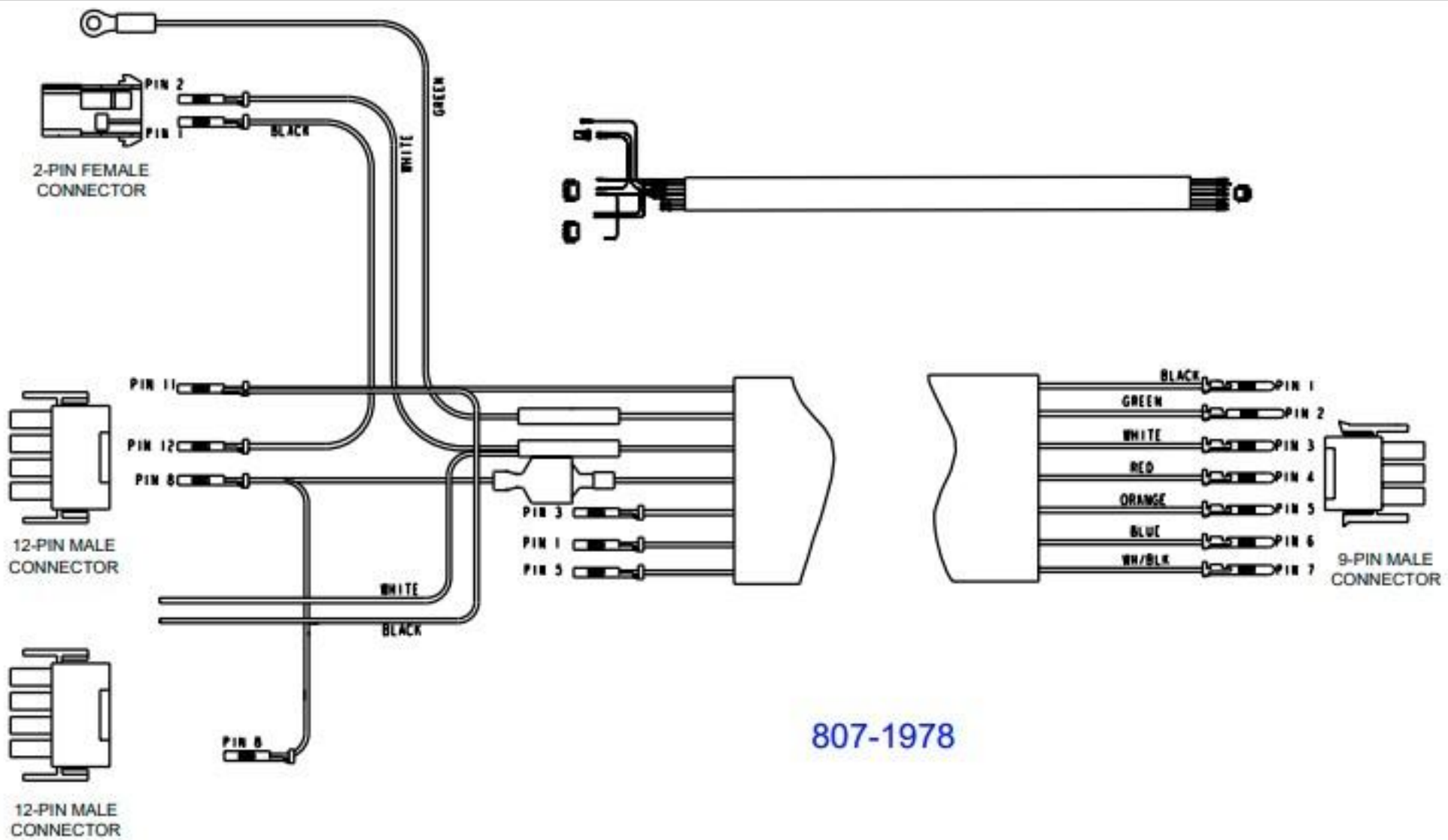
PIN 3
PIN 1
PIN 5

BLACK PIN 1
WHITE PIN 2
RED PIN 3
ORANGE PIN 4
BLUE PIN 5
W/BLK PIN 6

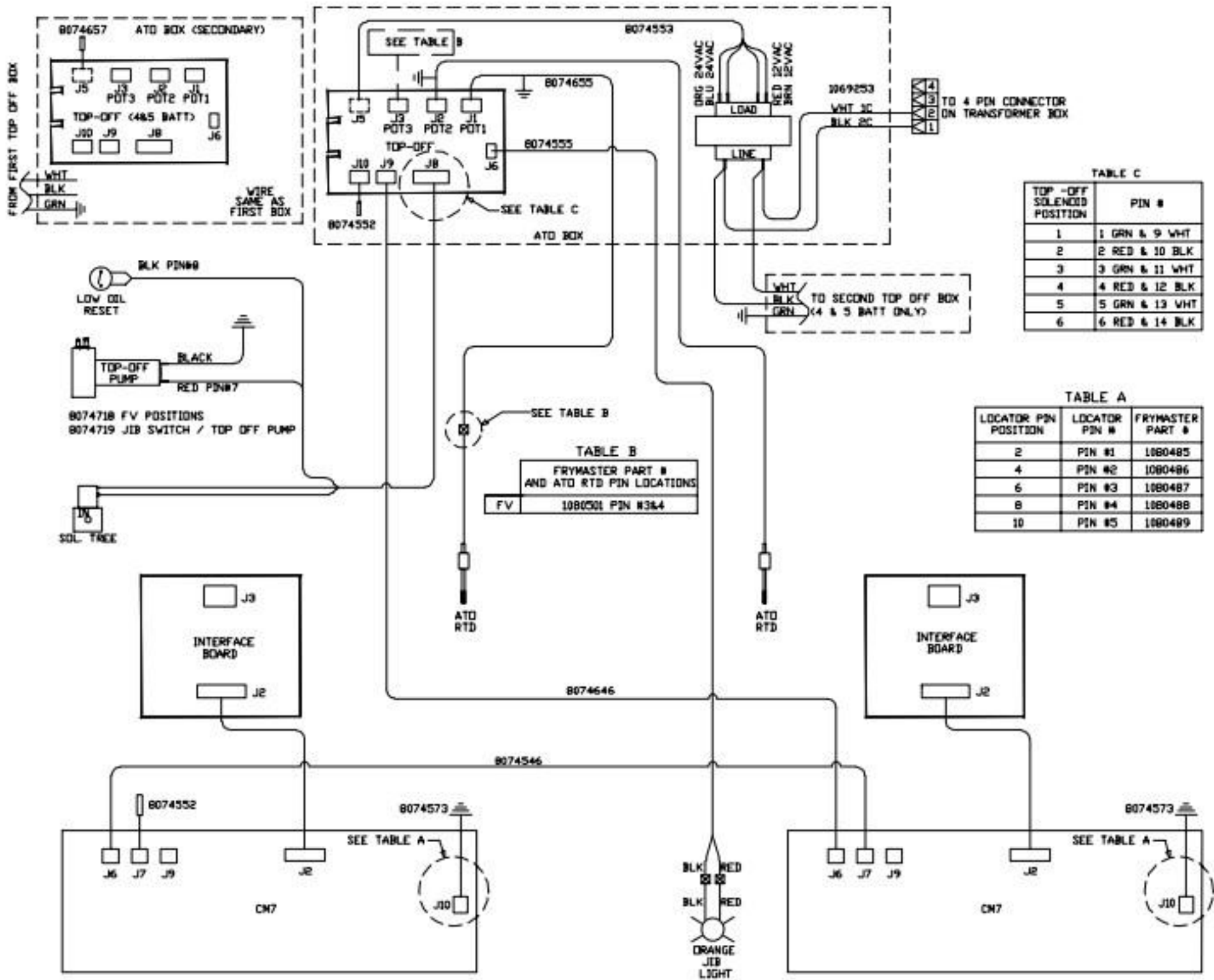


6-PIN MALE CONNECTOR

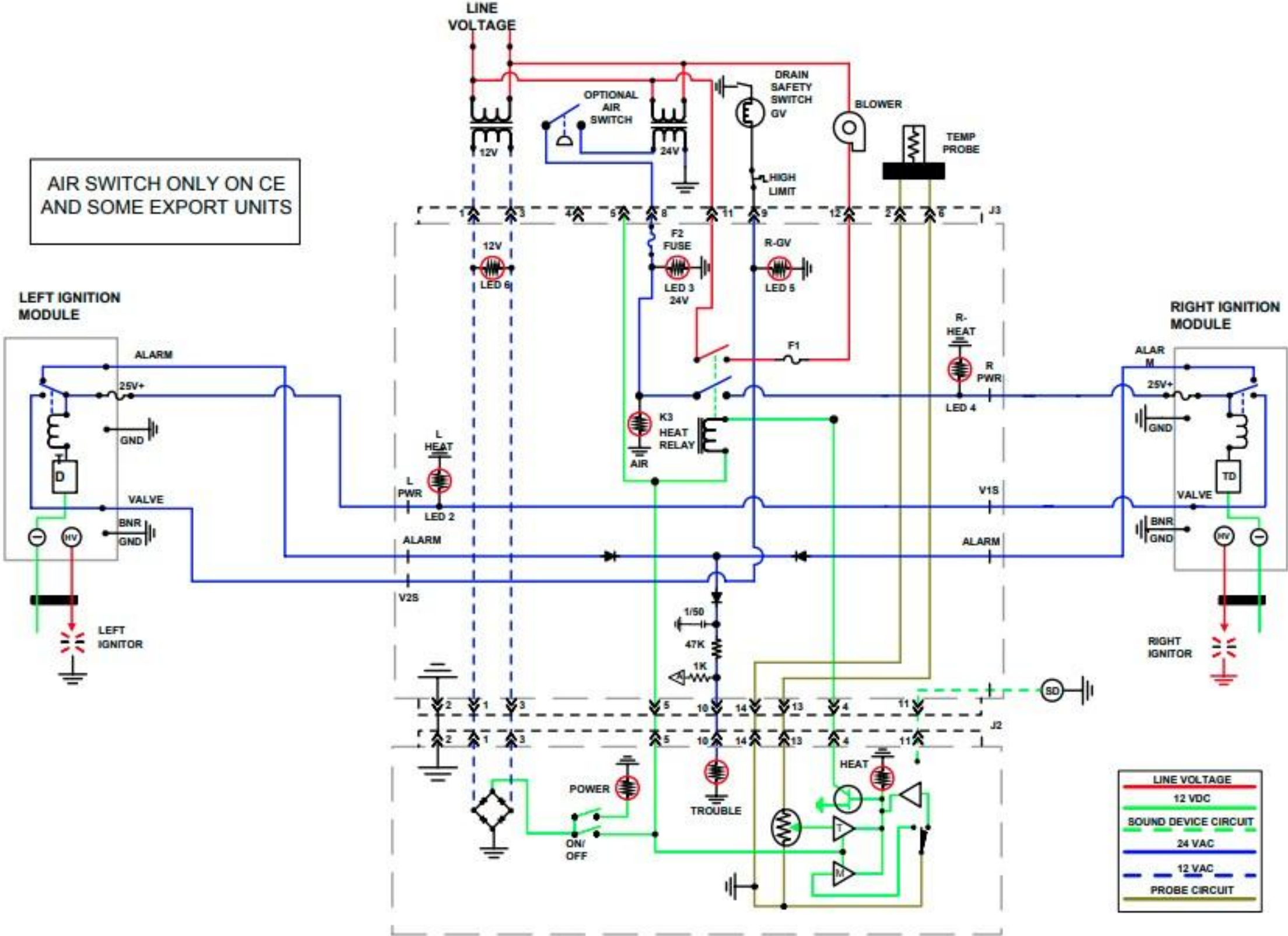
807-4014



807-1978



AIR SWITCH ONLY ON CE AND SOME EXPORT UNITS

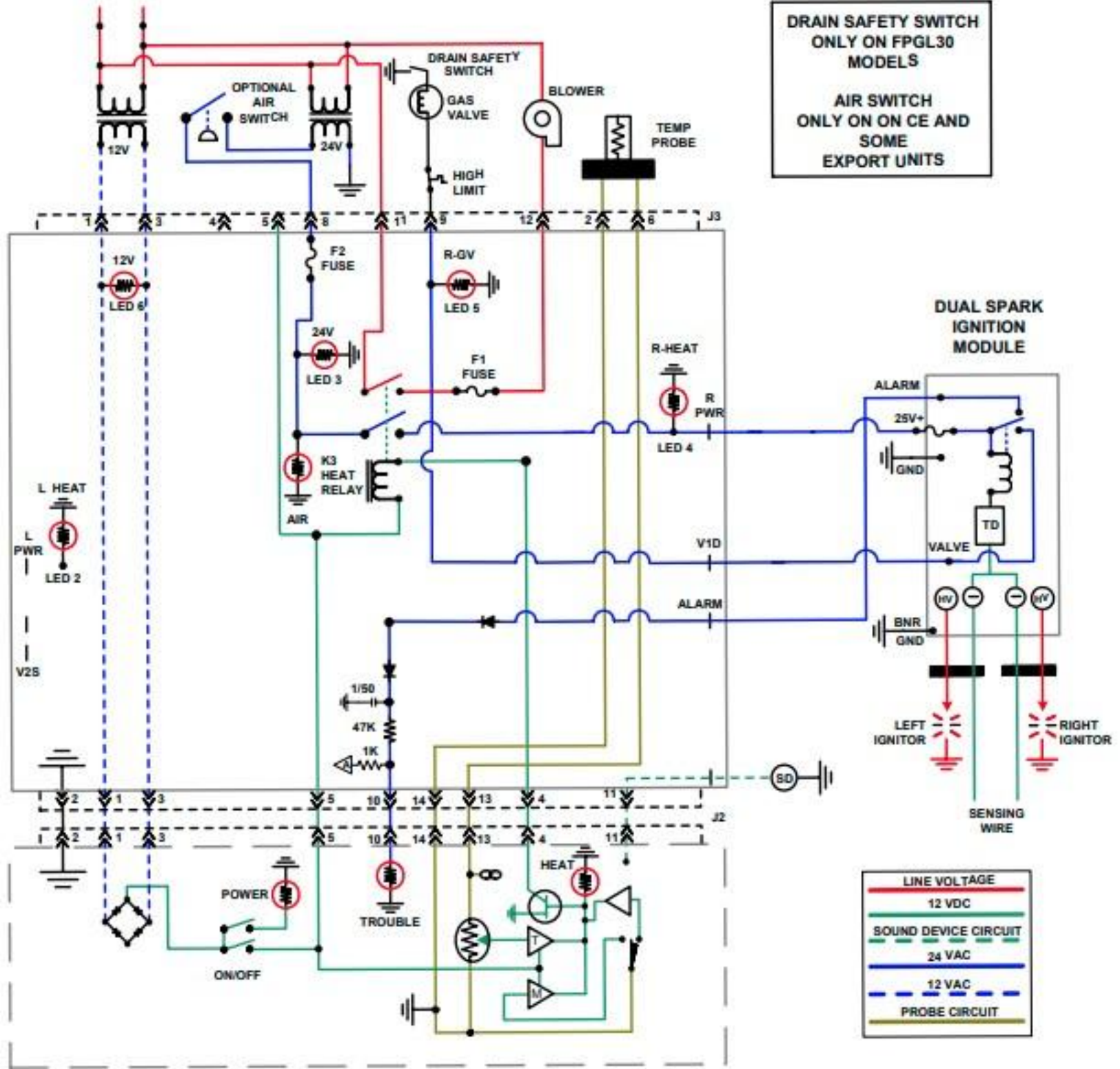


LINE VOLTAGE
12 VDC
SOUND DEVICE CIRCUIT
24 VAC
12 VAC
PROBE CIRCUIT

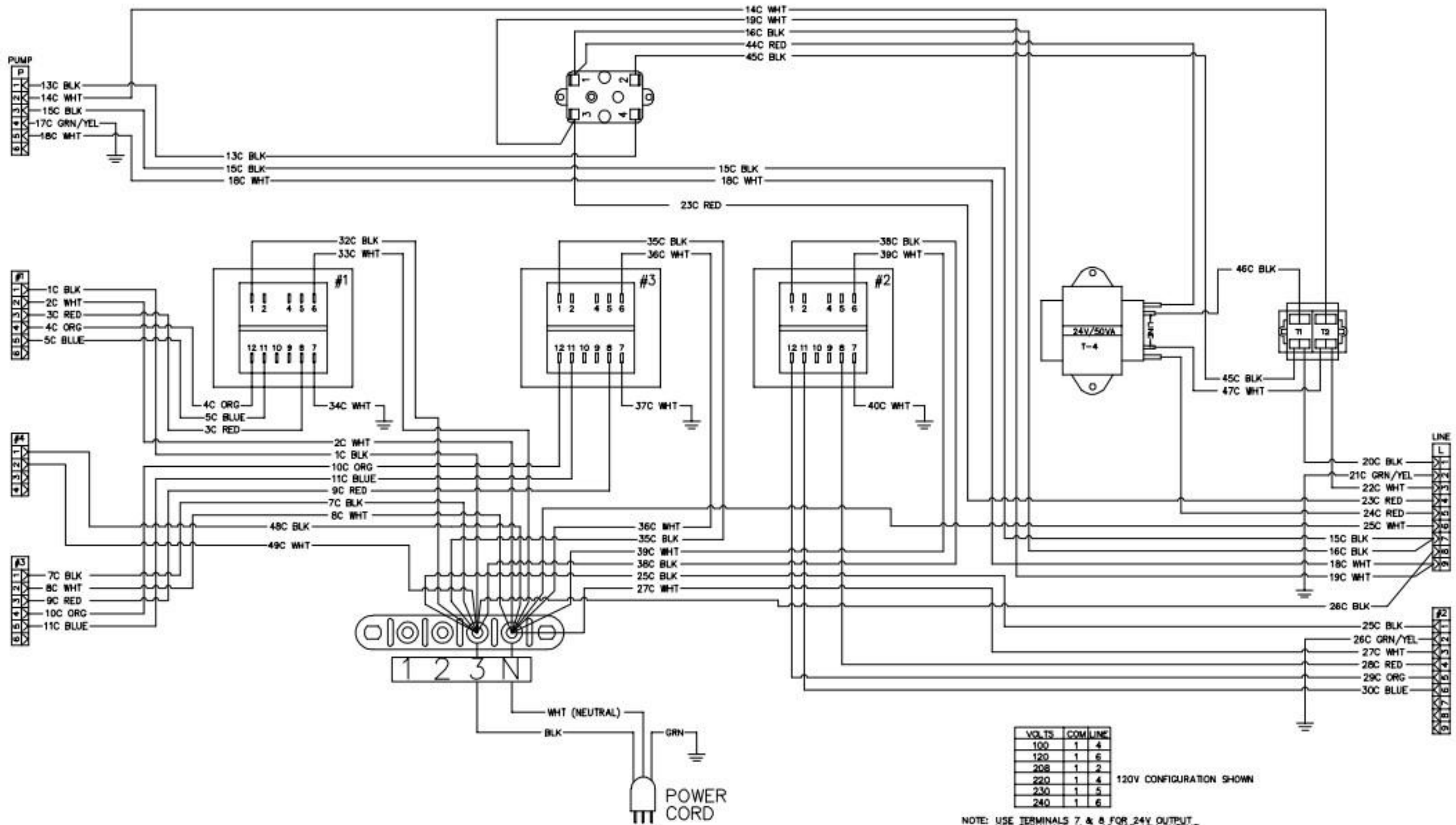
LINE VOLTAGE

**DRAIN SAFETY SWITCH
ONLY ON FPGL30
MODELS**

**AIR SWITCH
ONLY ON ON CE AND
SOME
EXPORT UNITS**



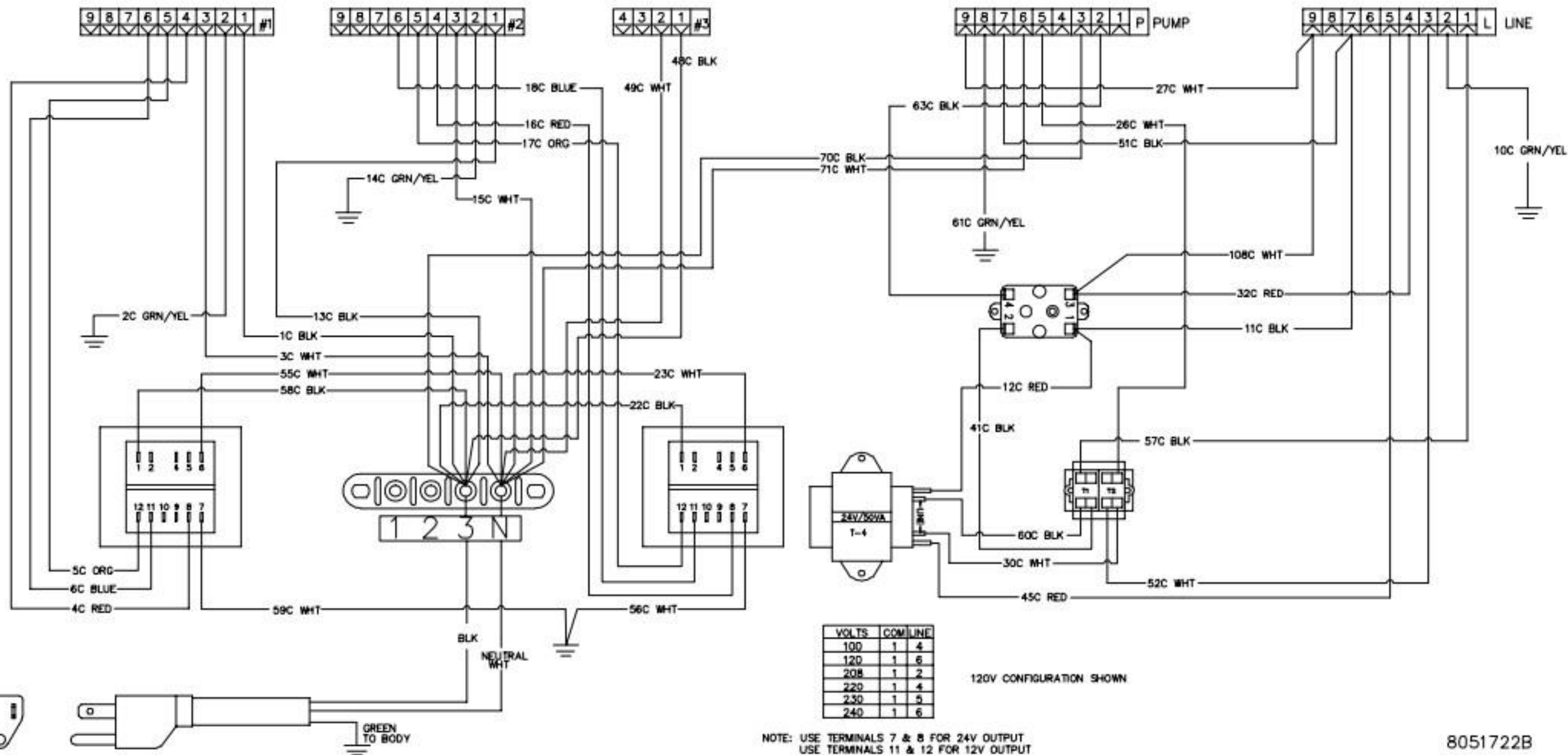
LINE VOLTAGE
12 VDC
SOUND DEVICE CIRCUIT
24 VAC
12 VAC
PROBE CIRCUIT



VOLTS	COM	LINE
100	1	4
120	1	6
208	1	2
220	1	4
230	1	5
240	1	6

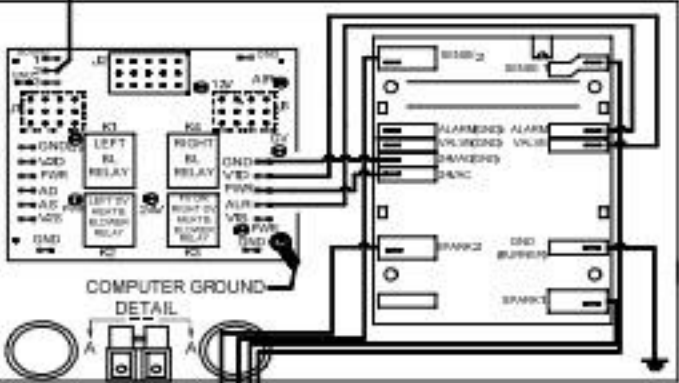
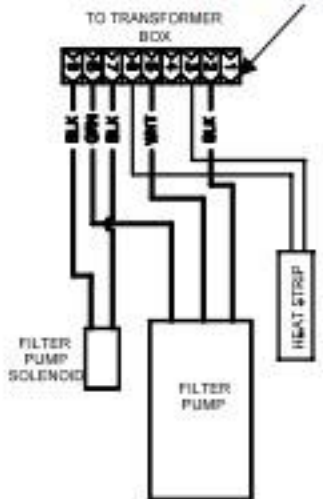
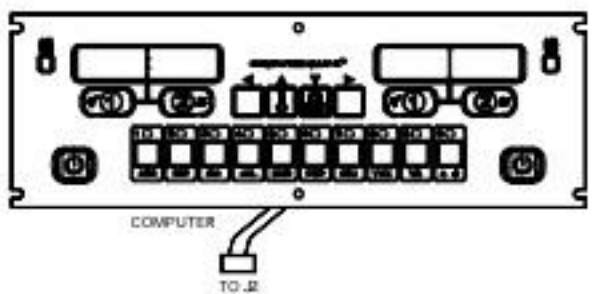
120V CONFIGURATION SHOWN

NOTE: USE TERMINALS 7 & 8 FOR 24V OUTPUT.
USE TERMINALS 11 & 12 FOR 12V OUTPUT

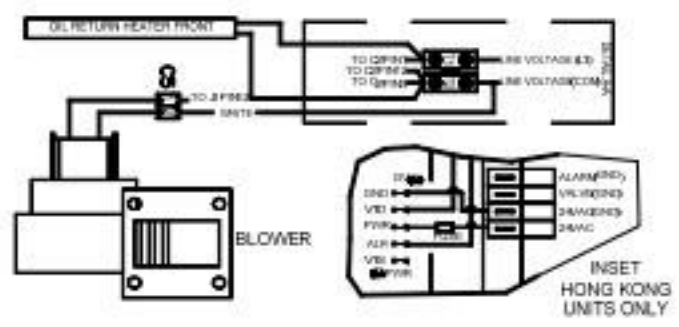
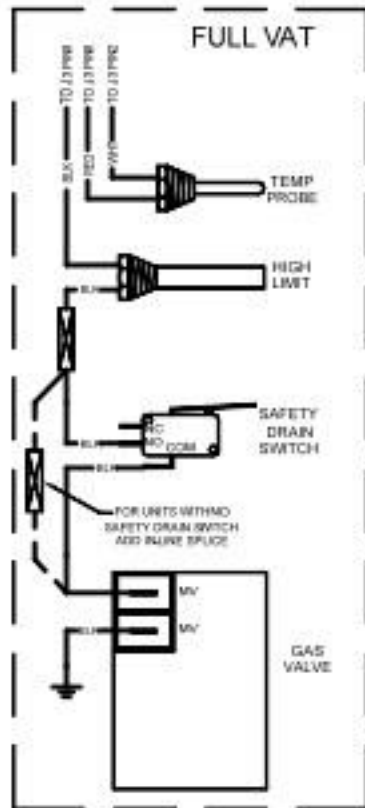
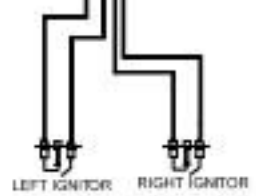


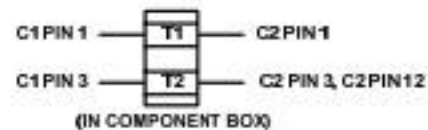
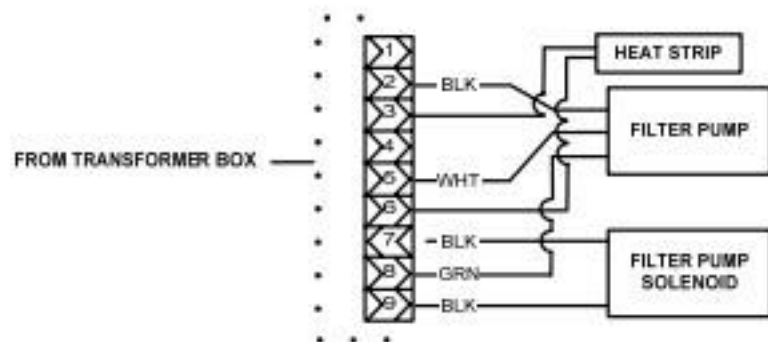
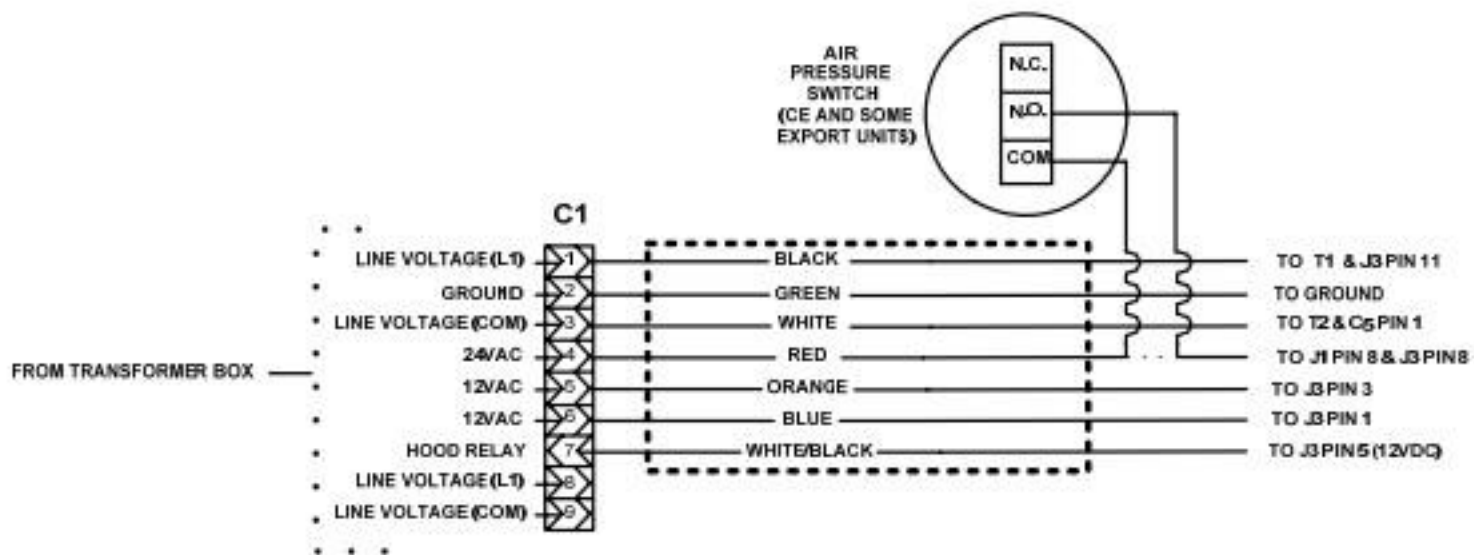
120V CONFIGURATION SHOWN

The Heat Strip is not present here on 330's.



FULL VAT





FULL VAT

