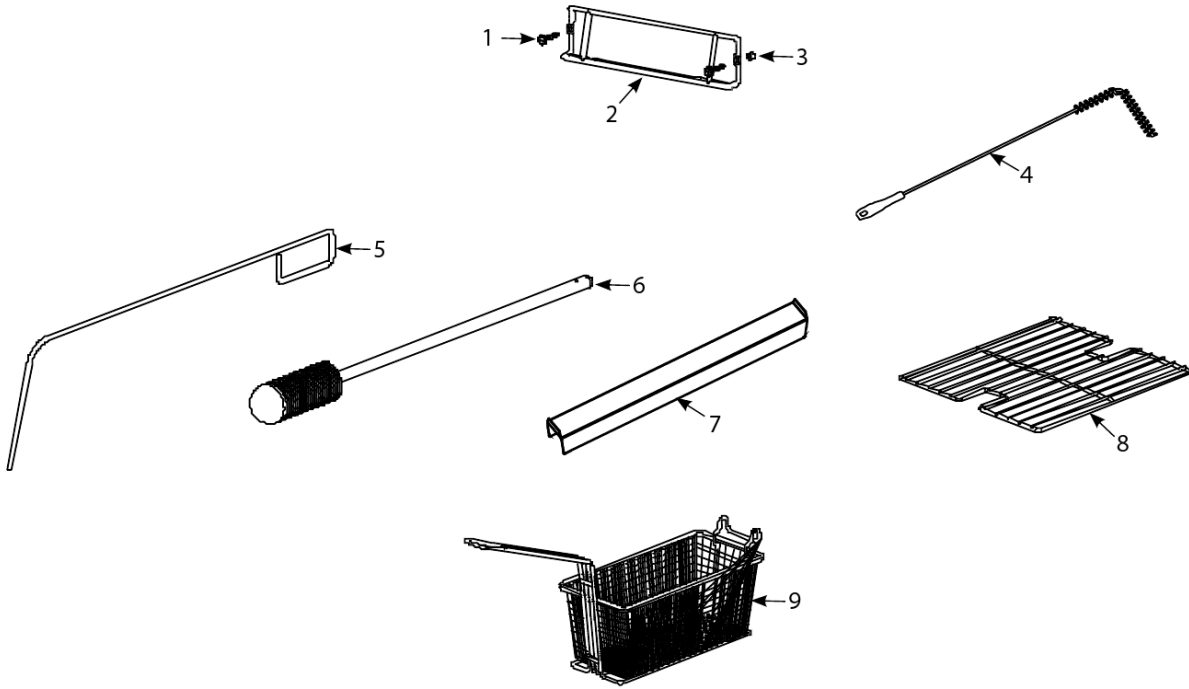


Re Series E4 Electric Fryers

Accessories



Re Series E4 Electric Fryers

Accessories

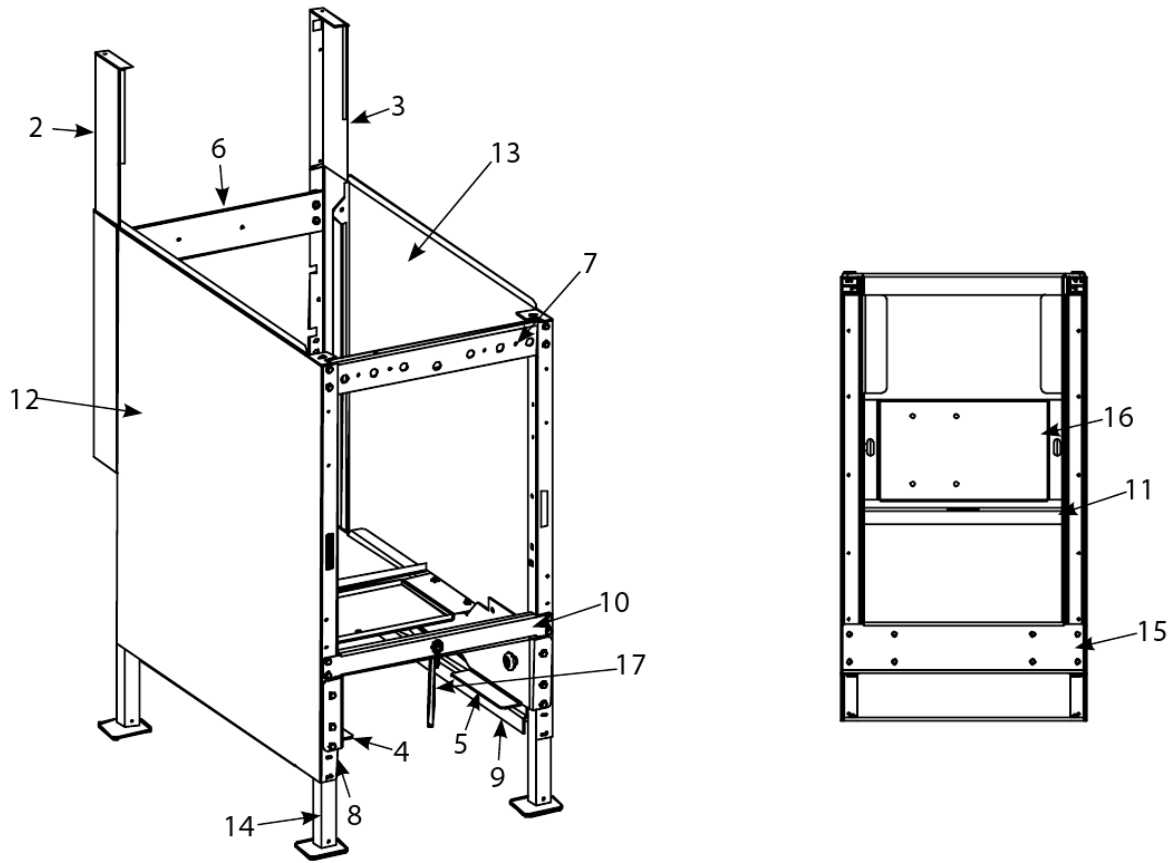
#	PART #	DESCRIPTION	QTY	Note
1	8090989	Basket Hangers and Mounting Hardware, Thumbscrew, 0.25- 20 x 1-inch	1	
2	8102793	Hanger - Wireform Basket	1	
3	8090921-FRY	Spacer, Basket Hanger	1	
4	8030278	L-shaped Brush	1	
5	8030197	Fryer's Friend	1	
6	8030209	Brush, Frypot	1	
7	2109083	Connecting Strip, Frypot	1	
8	8030132	Rack, Full-Vat Basket Support	1	
9	8030271	Basket, Twin Size	1	
10	8030352	0.3125" Nut Driver	1	
11	8030293	Gloves, Neoprene	1	
12	8030002	Powder, Filter	1	[1]
13	8030170	Filter Paper, 16.5" x 25.75"	1	[2]

PART NOTES:

- [1] - 80-8oz Applications
- [2] - 100-Sheet Pack

Re Series E4 Electric Fryers

Cabinet Bases, Braces, and Associated Parts - FPRE117, 122 Single



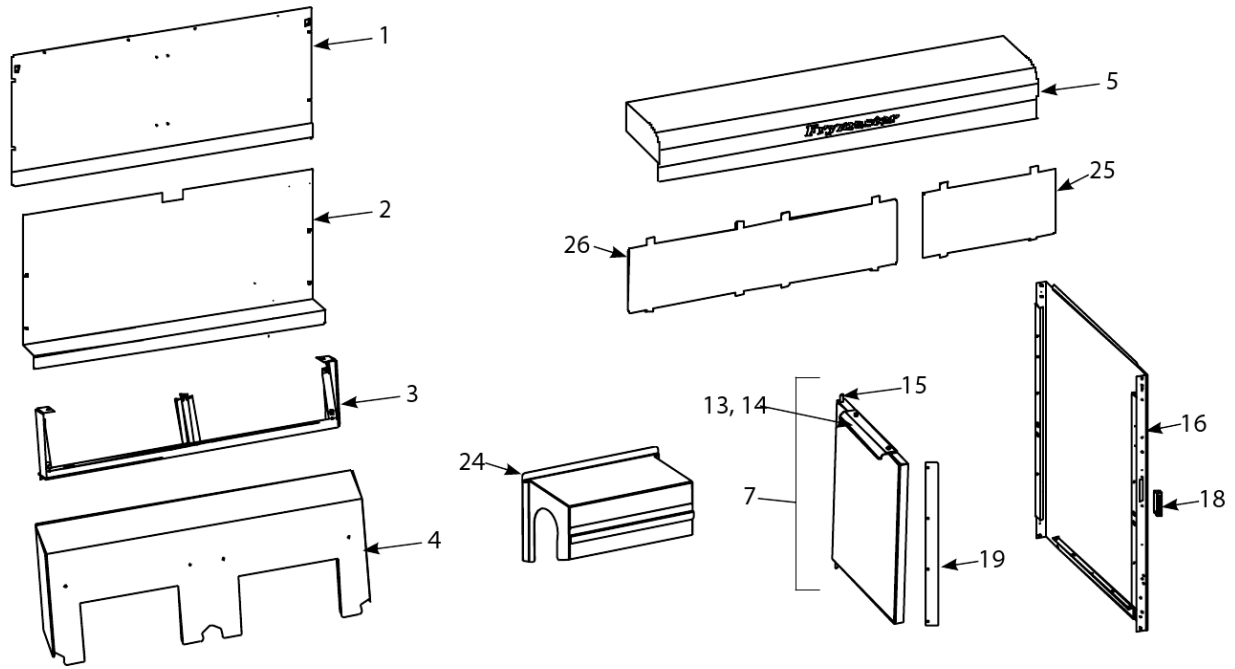
Re Series E4 Electric Fryers

Cabinet Bases, Braces, and Associated Parts - FPRE117, 122 Single

#	PART #	DESCRIPTION	QTY	Note
1	1066452	Cabinet Assembly Single Footprint Marine	1	
2	1064947	Upright Assembly, Left	1	
3	1064946	Upright Assembly, Right	1	
4	1066457	Support Assembly, Left	1	
5	1066458	Support Assembly, Right	1	
6	2301502	Brace, Single Rear Horizontal	1	
7	2301503	Brace, Single Front Horizontal	1	
8	2301510	Channel, Left Side	1	
9	2301509	Channel, Right Side	1	
10	2301505	Support, Cabinet Cross	1	
11	2301515	Brace, Contactor Box Locking	1	
12	2311588	Side, Cabinet Left, Single FPRE117/122	1	
13	2321588	Side, Cabinet Right, Single FPRE117/122	1	
14	8235877	Leg	1	
15	8235589	Channel, Base Rear, Single-Station Fryer	1	
16	8241716	Bridge, Pump/Motor	1	
17	8235313	Filter Pan Stop	1	
18	8090782	Washer, 0.3125 SS Flat	1	
19	8100783	Cotter Pin	1	
20	8261362	Nut - 0.25"-20 Hex	10	
21	8090191	Washer, Lock 0.25 Spring ZP	1	
22	8090500	Screw, 10 x 0.5-inch Hex Washer Head 410 SS	1	
23	8261368	Nut - 0.25-20 Serrated Flange	1	
24	8090508	Bolt - 0.25-20 x 1.25"	1	

Re Series E4 Electric Fryers

Cabinetry - Backs, Panels, Doors, Handles, Sides, Tilt Housings & Top Caps



Re Series E4 Electric Fryers

Cabinetry - Backs, Panels, Doors, Handles, Sides, Tilt Housings & Top Caps

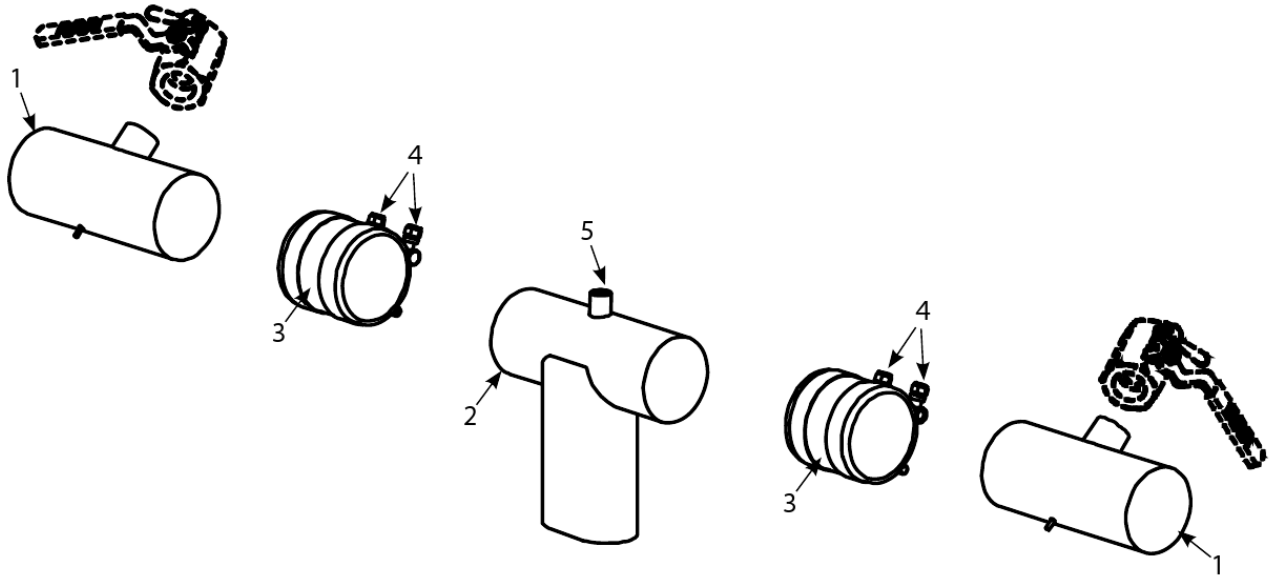
#	PART #	DESCRIPTION	QTY	Note
1	2300675	Back Panel, Upper - Single	1	
1a	2300676	Back Panel, Upper - Two Station Fryer	1	
2	2300672	Back Panel, Center - Single	1	
2a	2300673	Back Panel, Center - Two Station Fryer	1	
3	1065016	Frame, Control Panel - Single	1	
3a	1065221	Frame, Control Panel - Two Station Fryer	1	
4	8235567	Tilt Housing - Single	1	
4a	8235484	Tilt Housing - Two Station Fryer	1	
4b	8236398	Tilt Housing, 2-Station FPRE222	1	
5	2601230SP	Top Cap - Single	1	
5a	1065196	Top Cap - Two Station Fryer	1	
6	2009614	Heat Shield - Single	1	
6a	2009610	Heat Shield - Two/Four Station Fryer	1	
7	1064979	Door Assembly - Single	1	
8	2109213	Panel, Door Universal Single FPRE117/122	1	
9	2109215	Liner, Door Universal Single	1	
10	8090500	Screw, 10 x 0.5-inch Hex Washer Head 410 SS	1	
11	8261343	Spring - Door Pin Hinge	10	
12	1064769	Door, Left or Right	1	[1]
13	8090500	Screw, 10 x 0.5-inch Hex Washer Head 410 SS	1	
14	2109214	Two and Three Station Fryers, Handle, Door	1	
15	1064067SP	Door Pin Assembly	1	
16	2311588	Side, Cabinet Left, Single FPRE117/122	1	
16a	2310326	Side, Cabinet Left, Two or Three Station	1	
17	2321588	Side, Cabinet Right, Single FPRE117/122	1	
17a	2320326	Side, Cabinet Right, Two or Three Station	1	
18	8101105	Door Magnet - Vertical	1	
19	2109086	Door Tab	1	
20	8090123	Screw - #10 x 0.75" - Slot Head	1	
21	8261376	Nut - #10-32 Keps Hex	10	
22	2109188	Hinge, Door Single	1	
23	8090970	Retaining Ring	1	
24	8235656	Cove, Element Tilt Housing	1	
25	2105623	Bezel, Insert for Remote Single-Controller	1	
26	2109085	Bezel, Insert for Remote Double-Controller	1	

PART NOTES:

[1] - Left shown – move handle to opposite side for Right

Re Series E4 Electric Fryers

Drain System Components - FPRE217, 222 Euro-Look Drain Tube Sections and Associated



Re Series E4 Electric Fryers

Drain System Components - FPRE217, 222 Euro-Look Drain Tube Sections and Associated

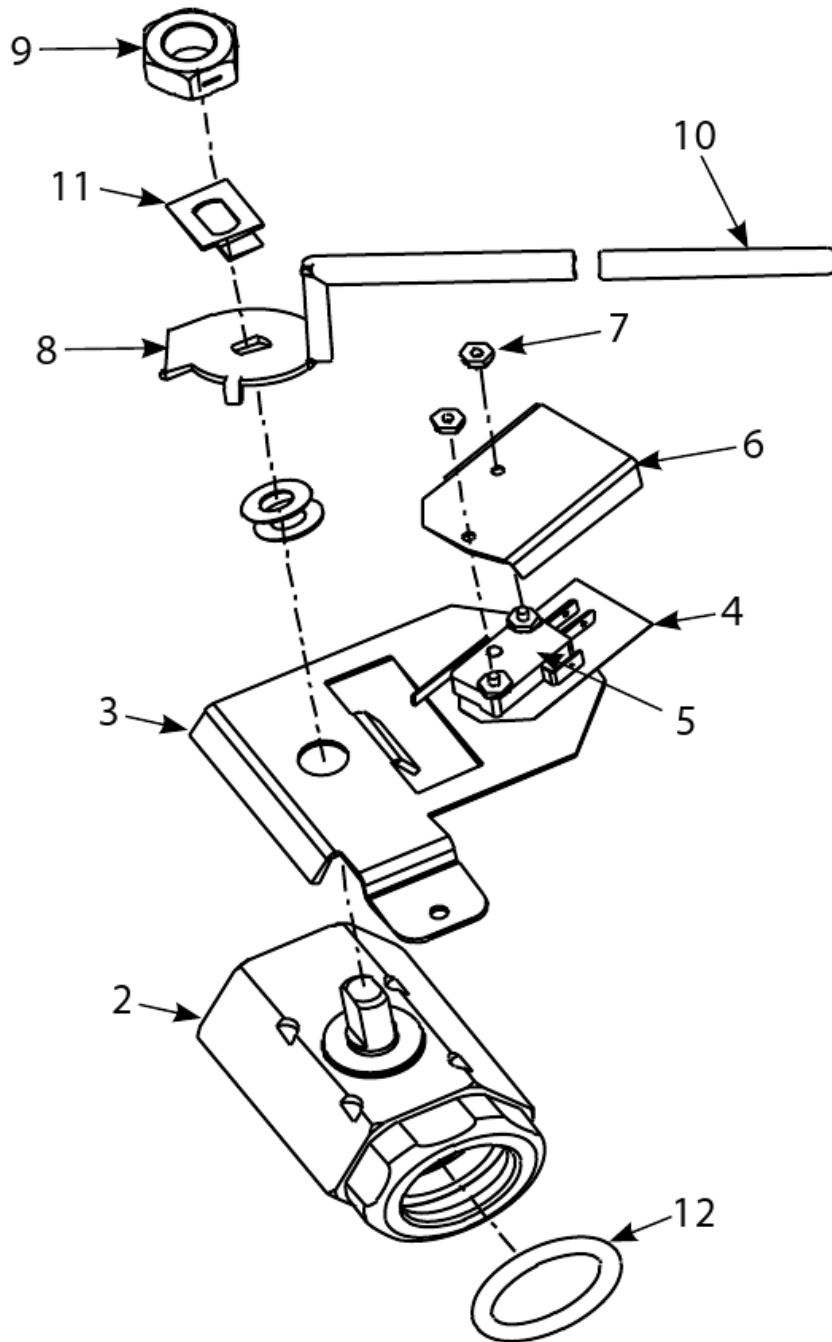
#	PART #	DESCRIPTION	QTY	Note
1	8234625	Drain Tube, Short Full-Vat Left Open/Right End Closed	1	
2	8234892	Drain Outlet Center Dump	1	
3	8160729	Sleeve, Drain Connector	1	
4	8090969	Clamp 3"	1	
5	8102492	Fitting, Quick-Connect Straight	1	[1]
6	8111071	Tube, 0.25-inch OD Teflon Manifold Vent	1	[2]

PART NOTES:

- [1] - receives Teflon vent tube
- [2] - sold by the foot

Re Series E4 Electric Fryers

Drain Valve Assembly and Component Parts - FPRE117, 122 Single Drain Valve Assembly



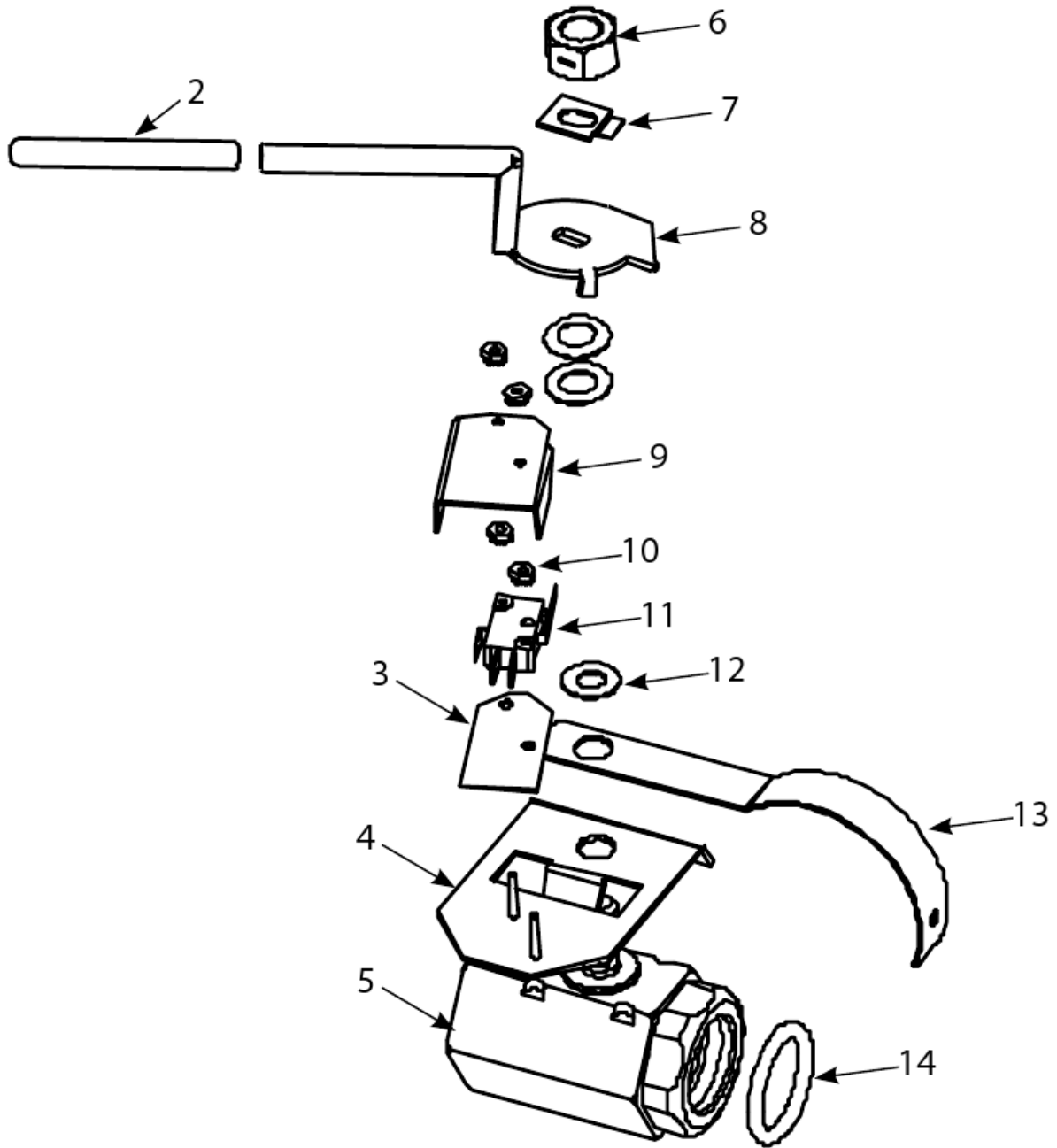
Re Series E4 Electric Fryers

Drain Valve Assembly and Component Parts - FPRE117, 122 Single Drain Valve Assembly

#	PART #	DESCRIPTION	QTY	Note
1	1064962	Valve Assembly, Full Vat Drain	1	
2	8102946	Valve, 1.25-inch Full-Vat Drain	1	
3	1065391	Bracket Assembly, Full-Vat Drain Safety Switch Single Footprint Only	1	
4	8160220	Insulation, Microswitch	1	
5	8072103	Microswitch	1	
6	2109178	Cover, Dual Vat Drain Safety Switch	1	
7	8261366	Nut - #4-40 Keps Hex	25	
8	8241602	Handle, Valve, Full-vat	1	
9	2109203	Retainer, Oil Return Valve Nut	1	
10	8160639	Cap, Vinyl Red	1	
11	2109177	Retainer, Full-Vat Drain Valve Nut	1	
12	8160135	O-ring	1	
13	8235592	Tube, Drain Single-Station Only with Filter	1	

Re Series E4 Electric Fryers

Drain Valve Assembly and Component Parts - FPRE217, 222 Drain Valve Assembly



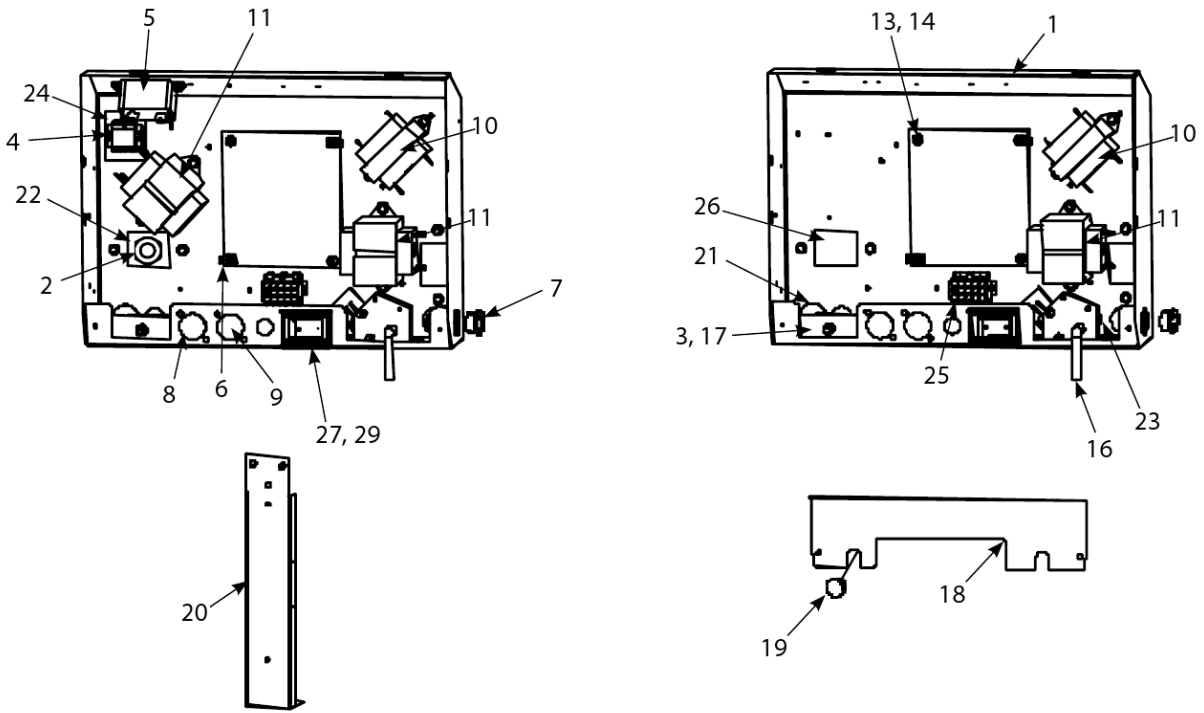
Re Series E4 Electric Fryers

Drain Valve Assembly and Component Parts - FPRE217, 222 Drain Valve Assembly

#	PART #	DESCRIPTION	QTY	Note
1	1064920	Valve Assembly, Full Vat Drain	1	
2	8160639	Cap, Vinyl Red	1	
3	8160220	Insulation, Microswitch	1	
4	8068137	Bracket Assembly, Full-Vat Drain Safety Switch	1	
5	8102946	Valve, 1.25-inch Full-Vat Drain	1	
6	8090540	Nut, Lock 0.5-inch-13 Hex 2-Way ZP	1	
7	2109177	Retainer, Full-Vat Drain Valve Nut	1	
8	8241602	Handle, Valve, Full-vat	1	
9	2109178	Cover, Dual Vat Drain Safety Switch	1	
10	8261366	Nut - #4-40 Keps Hex	25	
11	8072103	Microswitch	1	
12	8101165	Washer, Teflon Drain Valve	1	
13	2108966	Support, 3" Drain	1	
14	8160135	O-ring	1	
15	WIR0572	Wire Bundle, Drain Safety Switch	1	

Re Series E4 Electric Fryers

Electronics and Wiring Components - Component Boxes



Re Series E4 Electric Fryers

Electronics and Wiring Components - Component Boxes

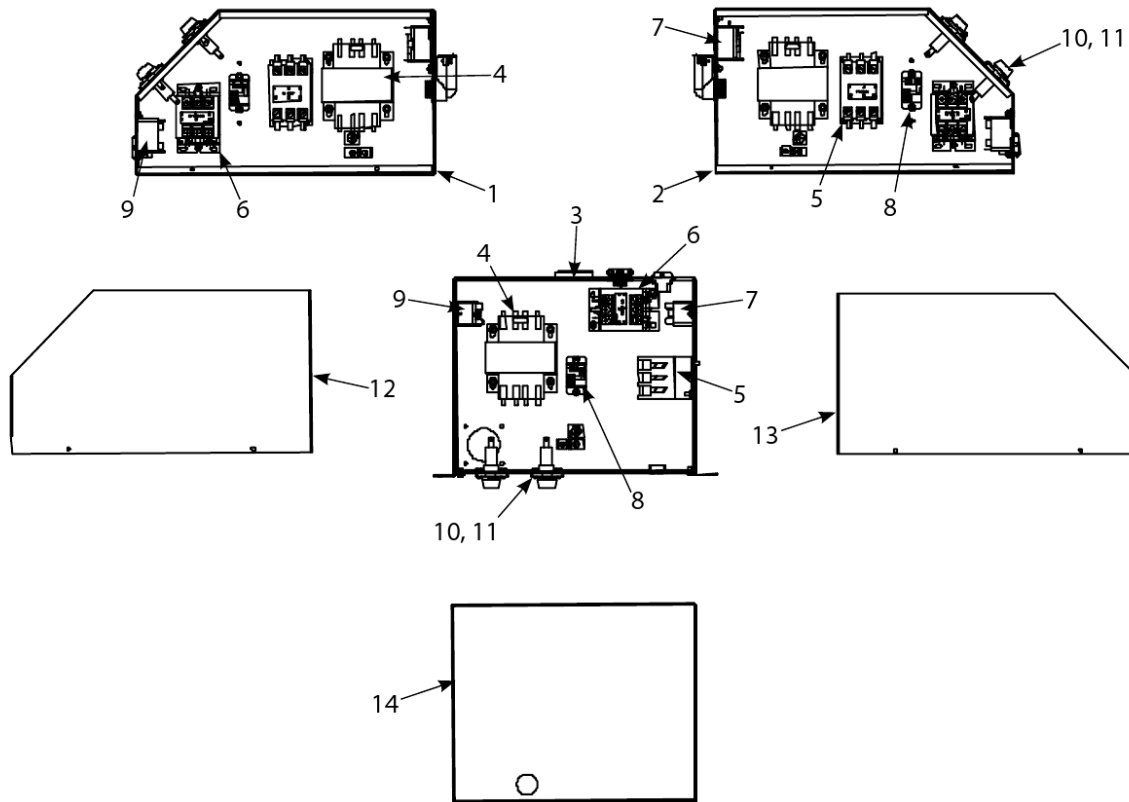
#	PART #	DESCRIPTION	QTY	Note
1	1065846	Box Assembly, Component	1	
2	8090582	Washer 0.5 NPT Locking	1	
3	2301057	Bracket, Circuit Breaker	1	
4	8069495SP	Terminal Block and Wire Assembly	1	
5	8070012	Filter Relay - 18A 24VAC	1	
6	8261337	Tab, 0.25-inch Terminal	5	
7	8100045	Bushing, .875 Dia. Hole 0.6875"	1	
8	8071947	Plug, .875	1	
9	8102446	Plug - 0.5" Heyco Double "D"	1	
10	8070855	Transformer - 120V/50-60 Hz - 12V 20VA	1	
11	8072180	Transformer - 208-240V/24V 50A	1	[1]
12	8070800	Transformer, 100-120V/24V 50VA Filter and MIB	1	[2]
13	8090349	Spacer, 4mm X 6mm Aluminum	1	
14	1066811	Interface Board	1	[3]
15	8073932	Relay, Heat/Latch 12VDC SPDT 12 Amp Sealed	1	[3]
16	1065848	Handle Assembly	1	
17	8070069	Circuit Breaker, 10 Amp	1	
18	2300812	Guard, Finger	1	
19	8102445	Plug, Button .625 Heyco Double "D"	1	
20	2108995	Brace, Component Box	1	
21	8071083	Bushing, Heyco	1	
22	8073868	Strain Relief	1	
23	8070121	Bushing, Heyco SB-625-500	1	
24	8160217	Insulation, Terminal Block Paper	1	
25	1065750	Harness, Full Vat Assembly	1	
26	2200083	Plate, Strain Relief	1	
27	8074036	Switch	1	
28	8073575	Plug, Carling Switch Hole	1	[4]
29	2300834	Guard, RE Box Switch	1	
30	1066958	Left Component Box Complete Assy. w/filter	1	
31	1066957	Right Component Box Complete Assy..w/filter	1	

PART NOTES:

- [1] - used with 220V Motors
- [2] - used with 120V Motors
- [3] - on SMT boards the relays are not replaceable
- [4] - used in place of a switch on some models

Re Series E4 Electric Fryers

Electronics and Wiring Components - Contactor Boxes



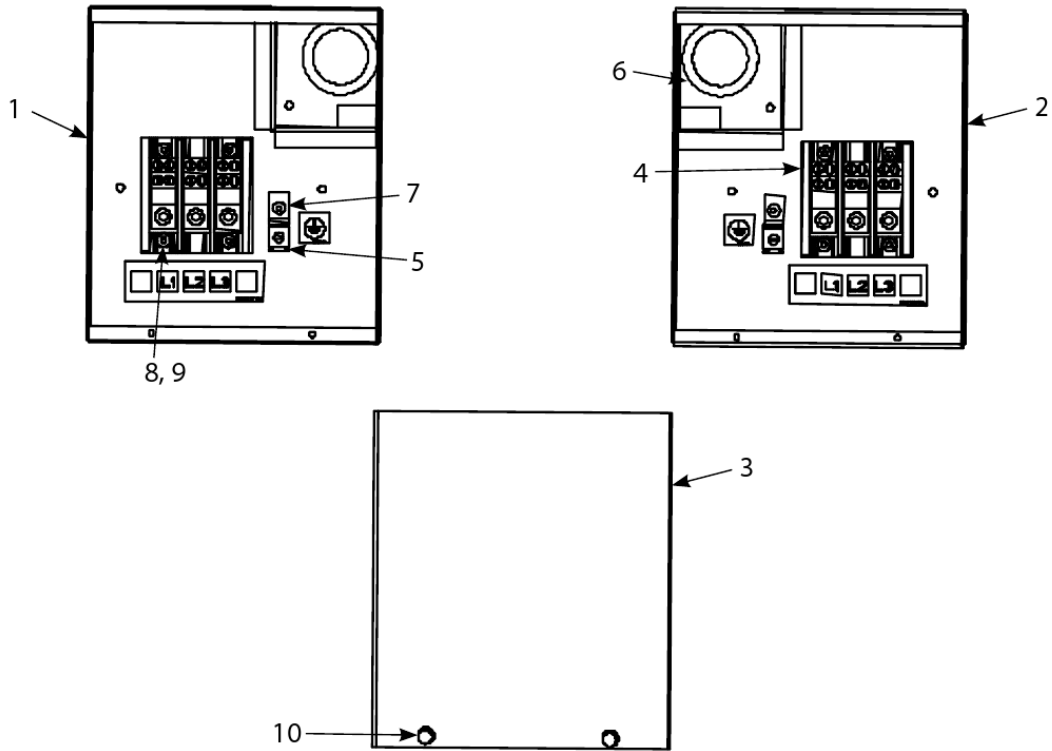
Re Series E4 Electric Fryers

Electronics and Wiring Components - Contactor Boxes

#	PART #	DESCRIPTION	QTY	Note
1	1068789	Left assembly	1	
2	1068790	Right assembly	1	
3	1068982	Single assembly	1	
4	8070331	Transformer-250VA, 480V Applications, w/Basket Lift	1	
5	8072284	Contactor, 24V 50 Amp Mechanical	1	
6	8101202	Contactor, 24V 40 Amp Mechanical	1	
7	8072434	Relay, Shunt 24V Coil Amp	1	
8	8071683	Relay, 12VDC Secondary Blower Fan to cool frypot	1	
9	8070012	Filter Relay - 18A 24VAC	1	
10	8070922	Holder, Bus Fuse	1	
11	8072278	Fuse, 20 Amp	1	
12	2311135	Cover, Left Hand	1	
13	2321135	Cover, Right Hand	1	
14	2304012	Cover, RE Single Foot Print	1	
15	2310811	Bracket, Left Hand Contactor Box Mounting	1	
16	2320811	Bracket, Right Hand Contactor Box Mounting	1	
17	WIR0751	Wire Assembly, Filter Shunt Relay	1	
18	WIR0726	Wire Assembly, Hood Relay	1	
19	WIR0712	Wire Assembly, Latch/Heat Jumpers	1	
20	1068789	Left assembly	1	
21	1068790	Right assembly	1	
22	1068982	Single assembly	1	

Re Series E4 Electric Fryers

Electronics and Wiring Components - Terminal Blocks



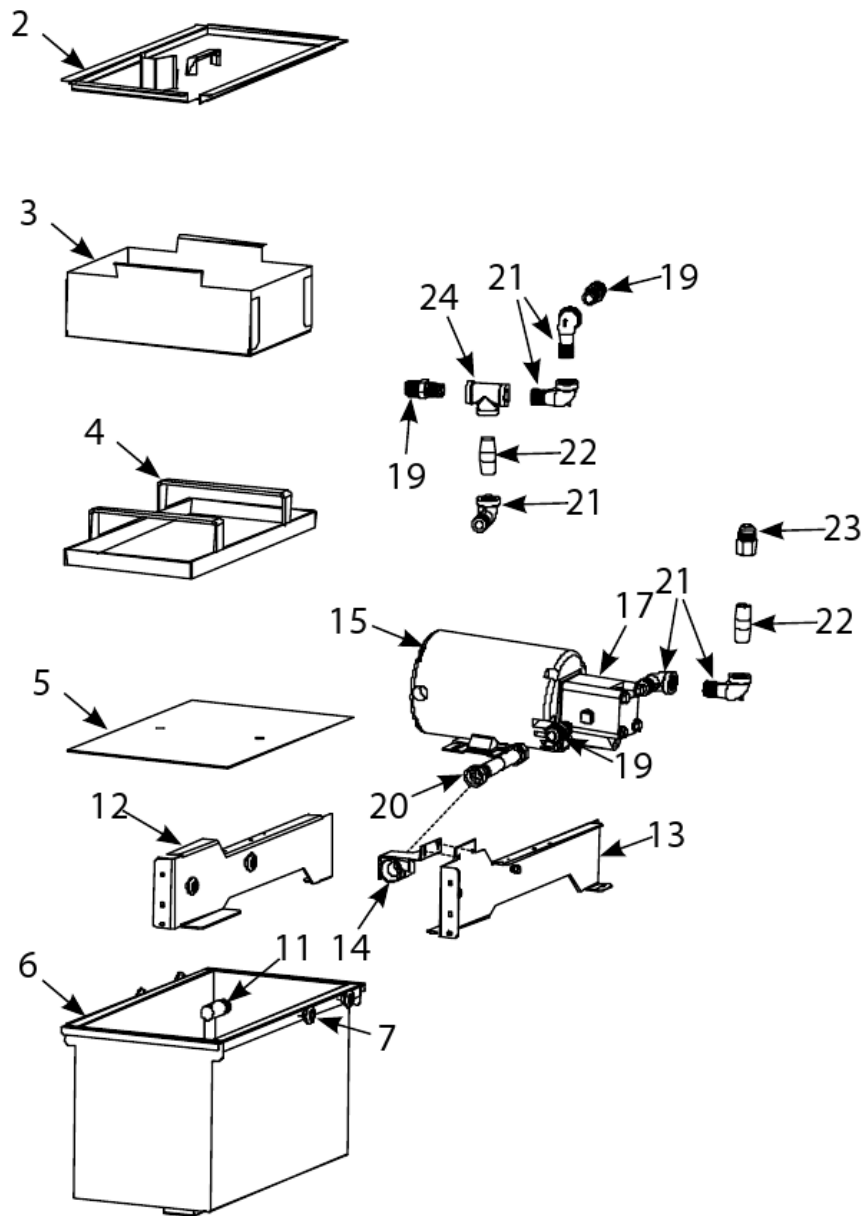
Re Series E4 Electric Fryers

Electronics and Wiring Components - Terminal Blocks

#	PART #	DESCRIPTION	QTY	Note
1	8235631	Box, LH Rear Terminal Block	1	
2	8235632	Box, RH Rear Terminal Block	1	
3	2200801	Cover, Rear Terminal Block Box	1	
4	8073970	Block, Terminal 3 pole 600V 175A	1	
5	8070070	Terminal, Ground Lug	1	
6	8070128	Bushing, Insulating Heyco	1	
7	8090247	Nut - #8-32 Keps Hex	1	
8	8090250	Nut, 6-32 Keps Hex	1	
9	8261363	Screw - #8-32 x 0.5" NP	25	
10	8261374	Screw - #10 x 0.5" Hex Head	25	
11	1065817	Left Hand Terminal Block	1	
12	1065822	Right Hand Terminal Block	1	

Re Series E4 Electric Fryers

Filtration System Components - FPRE117, 122 Single Filtration Components



Re Series E4 Electric Fryers

Filtration System Components - FPRE117, 122 Single Filtration Components

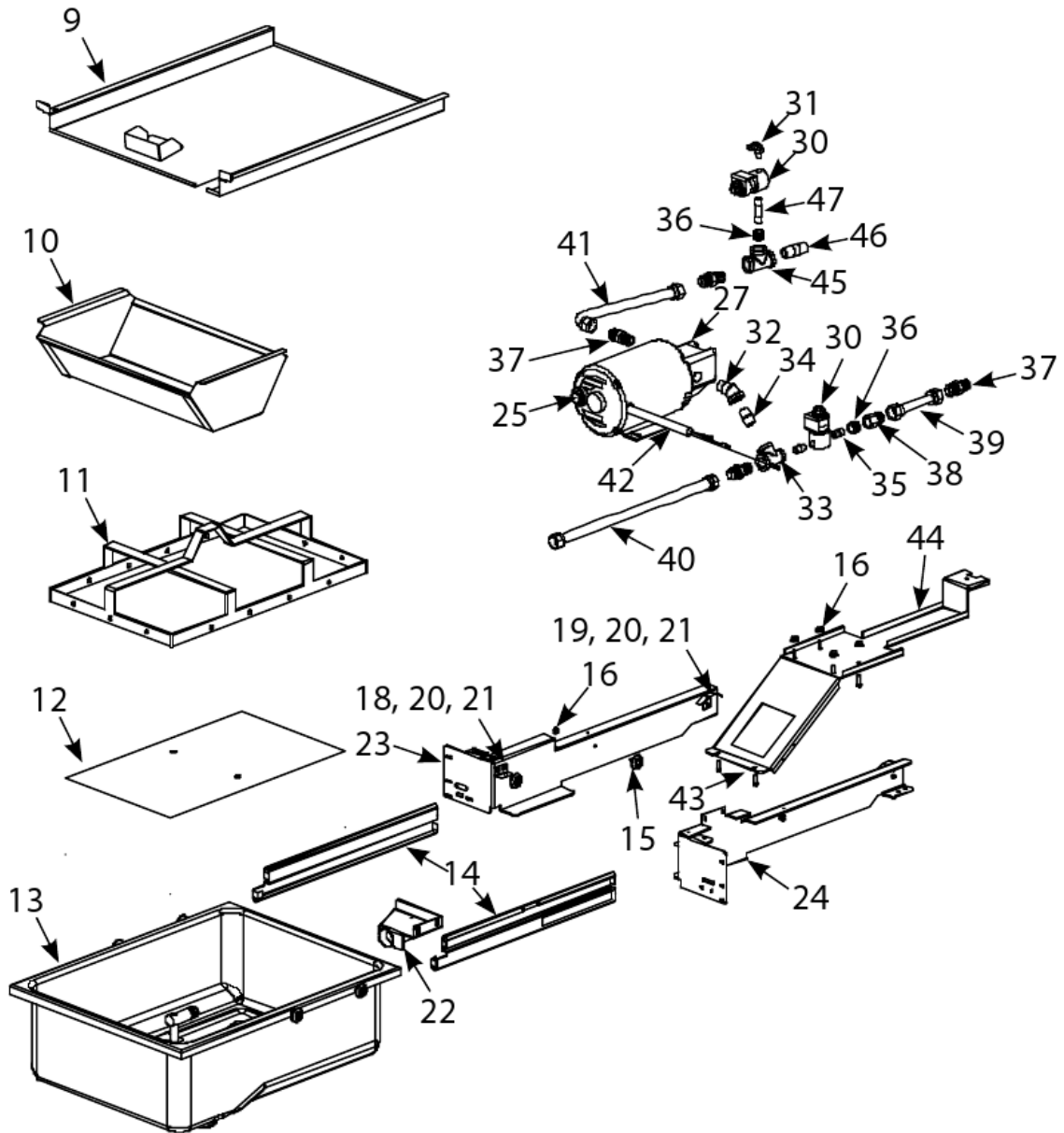
#	PART #	DESCRIPTION	QTY	Note
1	1066519	Assembly, Filter Pan Single FPRE117/122 includes pan and lid	1	
2	1066516	Lid, Assembly Single FPRE117/122	1	
3	8241707	Crumb Tray	1	
4	8104439	Hold Down Ring - Paper	1	
5	2201316	Sana Grid Filter Screen	1	
6	8235879	Pan, Filter	1	
7	8102198	Roller, Filter Pan and Rail	1	
8	8261979	Filter Pan Roller Kit	1	
9	8261372	Nut Grip 0.25-inch 0.25-20 Hex NP	10	
10	8102012	Rail Set, Filter Pan Roller	1	[1]
11	8261392	O-Ring	5	
12	1065981	Support, Assy. Left Filter Pan	1	
13	1065982	Support, Assy. Right Filter Pan	1	
14	8235862	Fitting, Female Suction Tube	1	
15	8261270	Motor and Gasket Kit - 220-240V/50-60 Hz	1	
16	8261712	Motor and Gasket Kit - 115V/50-60 Hz	1	
17	8261264	Pump Kit - 4 GPM	1	
18	80711973	Pump Seal Kit - Viking	1	
19	8101668	Male Adaptor - 0.625" OD x 0.5"	1	
20	8101680	Flexline - 0.625" OD x 6.5" L	1	
21	8130616	Elbow, ST 0.5" x 0.5" NPT 90° BM	1	
22	8130912	Nipple, 0.5-inch 2.0-inch SS	1	
23	8101669	Female Adaptor - 0.875" OD x 0.5"	1	
24	8102343	Tee, 0.5-inch SS	1	
25	8030170	Filter Paper, 16.5" x 25.75"	1	
26	8071098	Heater Strip Assembly, 240V, 25W 18"	1	
27	8065933SP	Heater Strip Assembly, 120V 18" 25W	1	

PART NOTES:

[1] - includes one left and one right

Re Series E4 Electric Fryers

Filtration System Components - FPRE217, 222 Filtration Components



Re Series E4 Electric Fryers

Filtration System Components - FPRE217, 222 Filtration Components

#	PART #	DESCRIPTION	QTY	Note
1	8261979	Filter Pan Roller Kit	1	
2	8261980	Service Filter Pan	1	
3	8261981	Service Filter Pan Assembly	1	[1]
4	8261392	O-Ring	5	[2]
5	8130568	Plug, 0.125" SS NPT, Sq-Head	1	
6	8111071	Tube, 0.25-inch OD Teflon Manifold Vent	1	[3]
7	8071098	Heater Strip Assembly, 240V, 25W 18"	1	
8	8065933SP	Heater Strip Assembly, 120V 18" 25W	1	
9	8235130	Lid, Filter Pan	1	
10	8103161	Crumb Tray	1	
11	8102091	Hold Down Ring	1	
12	2002124	SanaGrid Filter Screen	1	
13	1064925	Pan, One-Piece Filter	1	[4]
14	8102012	Rail Set, Filter Pan Roller	1	[5]
15	8102198	Roller, Filter Pan and Rail	1	[6]
16	8261372	Nut Grip 0.25-inch 0.25-20 Hex NP	10	
17	8090191	Washer, Lock 0.25 Spring ZP	1	
18	8234675	Bracket, Lid Support	1	
19	2109000	Guide, Filter Pan Lid, Left	1	
19a	2109005	Guide, Filter Pan Lid, Right	1	
20	8090503	Screw - #8-32 x 0.5" Slotted Truss Head	1	
21	8090247	Nut - #8-32 Keps Hex	1	
22	8235133	Suction Tube	1	
23	2108979	Rail, Left Filter	1	
24	2108978	Rail, Right Filter	1	
25	8261270	Motor and Gasket Kit - 220-240V/50-60 Hz	1	
26	8261712	Motor and Gasket Kit - 115V/50-60 Hz	1	
27	8261264	Pump Kit - 4 GPM	1	
28	8160093	Gasket - Pump/Motor	1	
29	80711973	Pump Seal Kit - Viking	1	
30	8072484	Solenoid Valve - 0.25"	1	
31	8102493	Elbow, 90° 0.125-inch NPT x 0.25-inch Quick Connect	1	
32	8130342	Elbow, 0.5-inch 45° Street	1	
33	8130530	Tee, Reducing 0.5-inch x 0.25-inch x 0.5-inch	1	
34	8130087	Nipple, 0.5-inch NPT x 1.5-inch (3.8 cm)	1	
35	8130838	Nipple - 0.25" NPT	1	
36	8130304	Bushing, 0.5-inch NPT to 0.25-inch NPT Flush Reducing	1	
37	8101668	Male Adaptor - 0.625" OD x 0.5"	1	
38	8101669	Female Adaptor - 0.875" OD x 0.5"	1	
39	8101680	Flexline - 0.625" OD x 6.5" L	1	
40	8101057	Flexline - Oil Return - 13" L	1	
41	8101043	Flexline - Oil Return - 9.5" L	1	
42	8073828	Cable, FootPrint Pro Pump Motor	1	
43	8261375	Screw - #10-32 x 0.75" - Hex Trim Head SS	5	
44	2109016	Bridge, Filter Motor	1	
45	8130003-FRY	Tee - 0.5" NPT	1	

Re Series E4 Electric Fryers

Filtration System Components - FPRE217, 222 Filtration Components

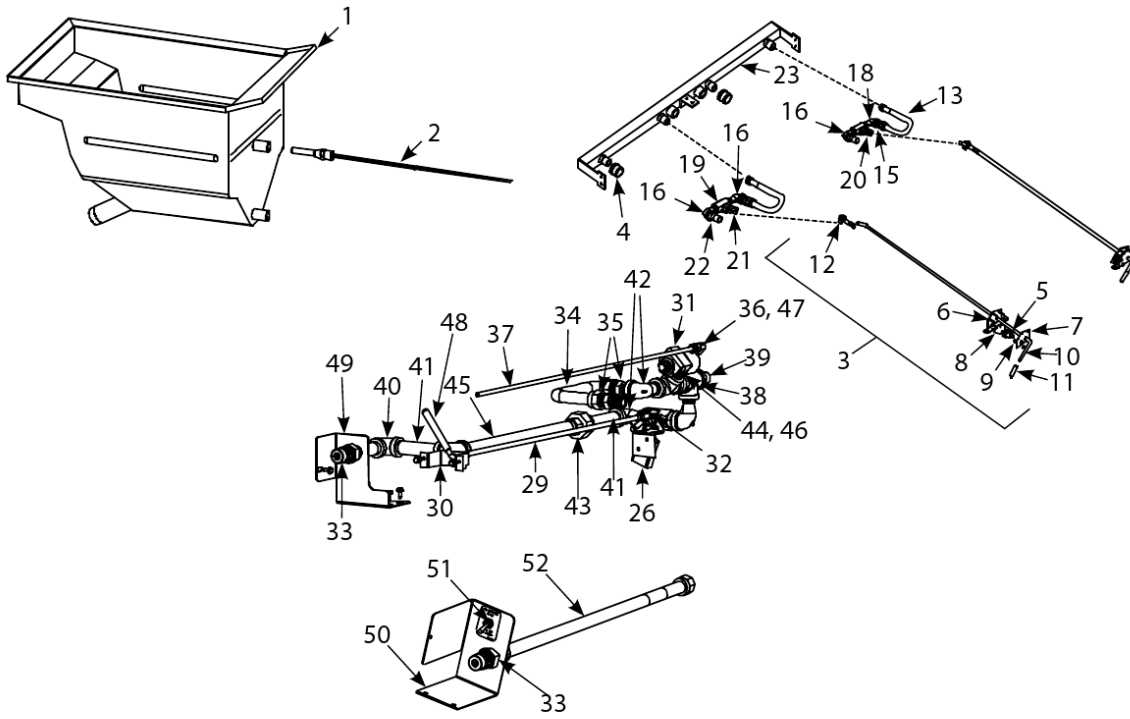
#	PART #	DESCRIPTION	QTY	Note
46	8130298	Nipple, 0.5" x 2.00" NPT BM Pipe	1	
47	8130537	Nipple - 0.25" x 2"	1	
48	8101043	Flexline - Oil Return - 9.5" L	1	
49	8030170	Filter Paper, 16.5" x 25.75"	1	

PART NOTES:

- [1] - includes plug and O-Ring
- [2] - used with Item 13
- [3] - sold by the foot
- [4] - includes Item 10
- [5] - includes one left and one right
- [6] - includes screws

Re Series E4 Electric Fryers

Frypot Assembly Thermostat, Oil Return System Components



Re Series E4 Electric Fryers

Frypot Assembly Thermostat, Oil Return System Components

#	PART #	DESCRIPTION	QTY	Note
1	8235746	Frypot	1	
2	8261177	Thermostat, High-Limit 425°F/218°C	1	
3	1065848	Handle Assembly	1	
4	8130907	Cap, 0.9375-inch Valve Safety	1	
5	8072103	Microswitch	1	
6	1065847	Bracket Assembly, Microswitch	1	
7	2108998	Bracket, Handle Retainer	1	
8	8160220	Insulation, Microswitch	1	
9	8261366	Nut - #4-40 Keps Hex	25	
10	8103105	Rod, Handle	1	
11	8160643	Grip, Oil Return Valve Handle	1	
12	8090601	Clip, Clevis	1	
13	8102532	Flexline - 7" L	1	
14	8101057	Flexline - Oil Return - 13" L	1	
15	8101668	Male Adaptor - 0.625" OD x 0.5"	1	
16	8130616	Elbow, ST 0.5" x 0.5" NPT 90° BM	1	
16a	8130899	Elbow, 0.5-inch X 90° SS	1	
17	8130905	Nipple, 0.25-inch x 1.5-inch SS	1	
18	8130908	Adapter, 0.5" NPT 90°	1	[1]
19	8102944	Valve, 0.5-inch Ball	1	
20	2108999	Handle, Rear Flush Valve	1	
21	2109203	Retainer, Oil Return Valve Nut	1	
22	8130913	Nipple, 0.5-inch x 3.0-inch SS	1	
23	8103015	Manifold, Two-Station Fryer	1	
24	1065975	Plumbing, Front Oil Disposal	1	
25	1066472	Plumbing, Front Oil Disposal (for Singles)	1	
26	1065974	Valve Assembly, Oil Disposal	1	
27	8102944	Valve, 0.5-inch Ball	1	
28	8072103	Microswitch	1	
29	2300985	Rod, Oil Disposal	1	
30	2300986	Bracket, Oil Disposal Rod	1	
31	8072484	Solenoid Valve - 0.25"	1	
32	8090601	Clip, Clevis	1	
33	8100487	Coupling, Male, Quick Disconnect	1	
34	8101043	Flexline - Oil Return - 9.5" L	1	
35	8101668	Male Adaptor - 0.625" OD x 0.5"	1	
36	8102493	Elbow, 90° 0.125-inch NPT x 0.25-inch Quick Connect	1	
37	8121803	Tubing, 0.25-inch OD x 24.50" Teflon	1	
38	8132343	Tee, 0.5-inch x 0.5-inch x 0.5-inch SS	1	
39	8130900	Nipple, 0.5-inch x Close SS	1	
40	8130889	Elbow, 0.5-inch 90° SS	1	
41	8130901	Nipple, 0.5-inch x 4.0" SS	1	
42	8130616	Elbow, ST 0.5" x 0.5" NPT 90° BM	1	
43	8130902	Union, 0.5-inch NPT SS	1	
44	8130903	Bushing, 0.5-inch x 0.25-inch SS Flush	1	
45	8130904	Nipple, 0.5-inch x 13.0" NPT SS	1	

Re Series E4 Electric Fryers

Frypot Assembly Thermostat, Oil Return System Components

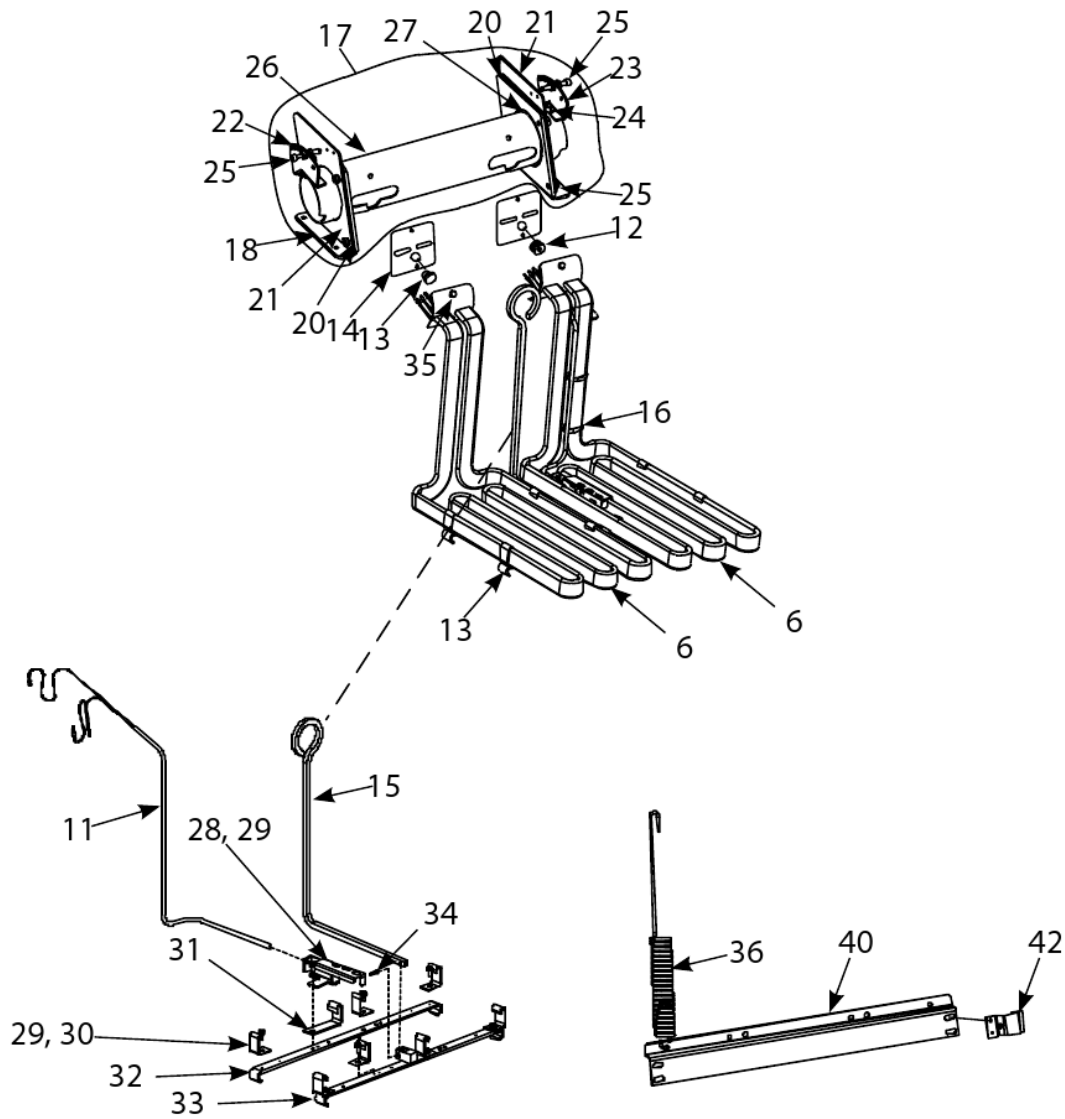
#	PART #	DESCRIPTION	QTY	Note
46	8130905	Nipple, 0.25-inch x 1.5-inch SS	1	
47	8130807	Bushing, 0.25-inch NPT x 0.125-inch	1	
48	8160637	Cap, Vinyl Blue 0.3125-inch x 3.0"	1	
49	8235693	Bracket, Assembly Quick Disconnect	1	
50	8235858	Bracket Mount Single RCCL	1	
51	8072106	Switch Toggle Single	1	
52	8101068	Flexline - 0.625" OD x 21.5" L	1	

PART NOTES:

[1] - used only on side next to cabinet

Re Series E4 Electric Fryers

Heating Element Assembly and Associated Parts



Re Series E4 Electric Fryers

Heating Element Assembly and Associated Parts

#	PART #	DESCRIPTION	QTY	Note
1	1065554	Element Assembly FV 440V 17kW w/ Lift Handle Single FPRE117	1	
2	1065558	Element Assembly FV 480V 17kW w/ Lift Handle FPRE217	1	
3	1081715	Element Assembly FV 230/400V 22 kW w/ Lift Handle FPRE122	1	
4	1068547	Element Assembly FV 440V 22 kW w/ Lift Handle FPRE122	1	
5	1068546	Element Assembly FV 480V 22 kW w/ Lift Handle FPRE222	1	
6	8262202	Element Kits - 440V - 18.5 kW	1	[1]
7	8262203	Element Kits - 480V - 18.5 kW	1	[1]
8	8262206	Element Kits - 230V - 11.0 kW	1	[1]
9	8262211	Element Kits - 440V - 11.0 kW	1	[1]
10	8262209	Element Kits - 480V - 11.0 kW	1	[1]
11	8262212	Temperature Probe Kit	1	[2]
12	8160681	Grommet, Probe	1	
13	8160480	Plug, .375-inch Dome	1	
14	8160688	Gasket, Element	1	
15	8101233	Handle, Element Lift	1	
16	8090567	Tie-Wrap - Metal	1	
17	1065590	Tube Assembly Element, Full-Vat	1	
18	1065588	Bracket Assembly, LH Element Tube Support	1	
19	1065589	Bracket Assembly, RH Element Tube Support	1	
20	2300554	Plate, Element Tube Support Inner	1	
21	2300553	Plate, Element Tube Support Outer	1	
22	1066569	Bracket Assembly, LH Upper Spring	1	
23	1066570	Bracket Assembly, RH Upper Spring	1	
24	8261330	Screw, 10-32 x 0.375-inch Slot Head SS	25	
25	8091000	Screw - #10-32 x 1.25" - Hex	1	
26	1066037	Tube, FV Element Mounting	1	
27	8102993	Bushing, Tube End Teflon	1	
28	2300850	Bracket, Temperature Probe	1	
29	8090518	Screw, 8-32 x 0.375-inch Hex Washer Slotted Head SS	1	
30	2109180	Clamp, Element (Short)	1	
31	2300781	Key Operated Switch Ice With Keys	1	
32	2300849	Bracket RE, Full-Vat Element Rear	1	
33	8235657	Bracket RE, Full-Vat Element Front	1	
34	8261364	Pin, .125 X .5-inch Split	25	
35	8091003	Screw - #10-32 x 0.375" Hex Trim Head SS	1	
35a	8090766	Nut, 10-32 Keps Hex SS	1	
36	8103030	Spring, Element Lift Left	1	
37	8103031	Spring, Element Lift Right	1	
38	8103339	Spring, Element Lift Left (22 kW)	1	
39	8103340	Spring, Element Lift Right (22 kW)	1	
40	2201190	Bracket, Lower Spring Single Foot Print	1	
41	2200464	Bracket, Lower Spring	1	
42	2200733	Bracket, Lower Spring Mating	1	
43	1066587	Magnetic Position Sensor	1	
44	8103007	Magnet - Ring	1	

Re Series E4 Electric Fryers

Heating Element Assembly and Associated Parts

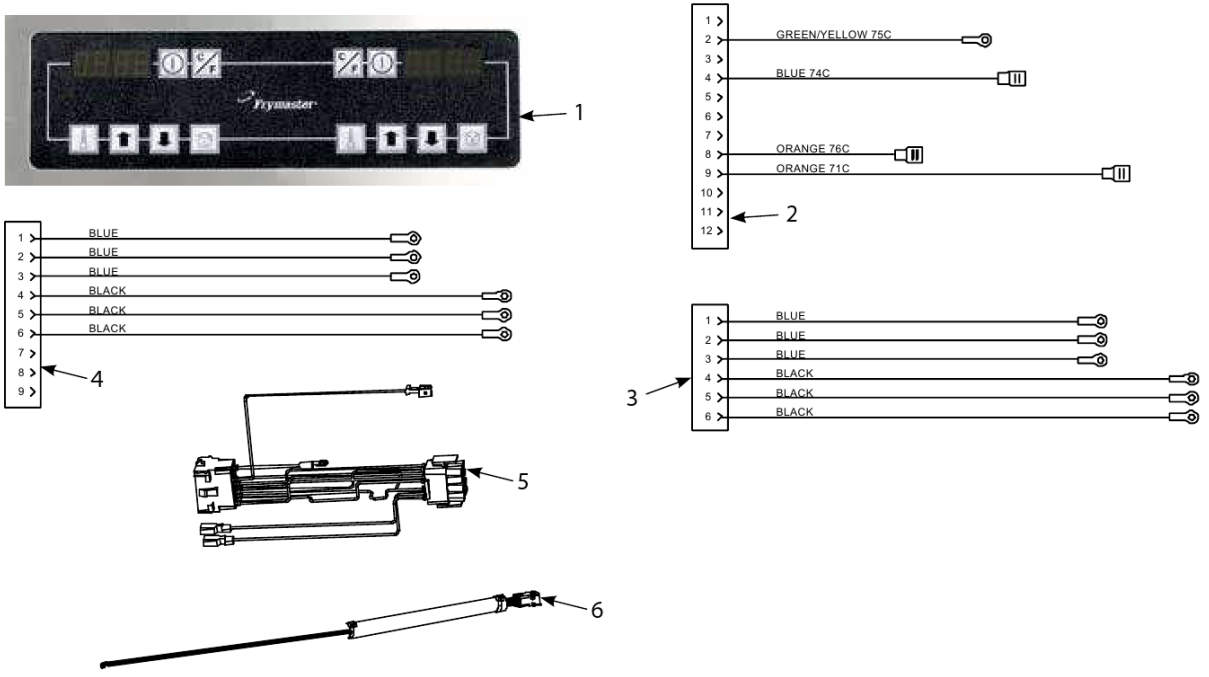
#	PART #	DESCRIPTION	QTY	Note
45	2300794	Bracket, Magnetic Position Sensor Wire	1	

PART NOTES:

- [1] - includes gaskets, grommets, tie wraps, screws and nuts
- [2] - includes tie wraps and grommet

Re Series E4 Electric Fryers

Remote Digital Controller , Wiring Assemblies and Harnesses



Re Series E4 Electric Fryers

Remote Digital Controller , Wiring Assemblies and Harnesses

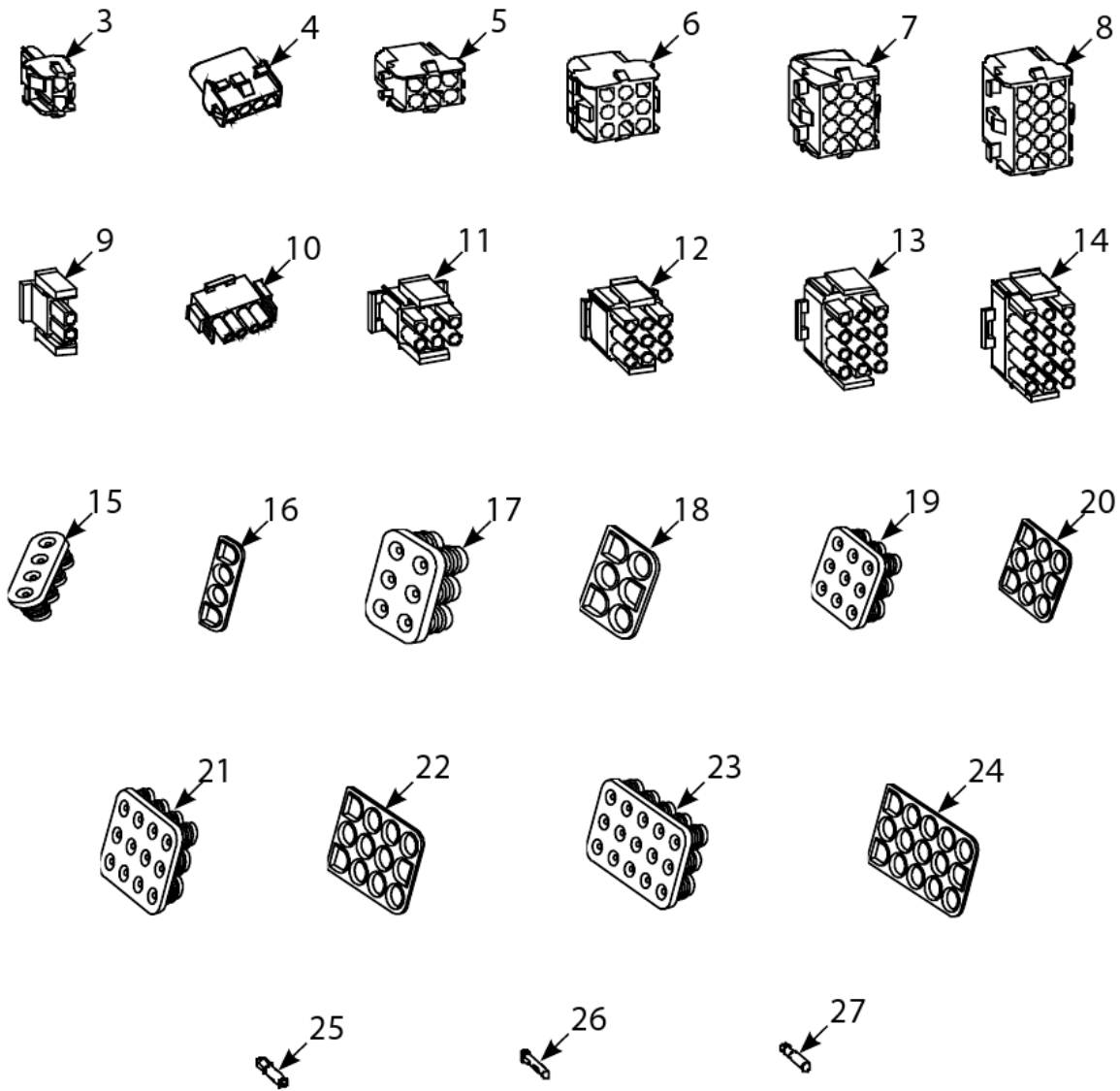
#	PART #	DESCRIPTION	QTY	Note
1	1066385	Remote Digital Controller	1	
1a	1065142	Remote Controller Cable	1	
2	1066031	Contactor Box Wiring Assembly – 12-Pin Full-Vat C-1	1	
3	1066281	Contactor Box Wiring Assemblies – 6-Pin (Left Element) 14/17 kW	1	
4	1066282	Contactor Box Wiring Assemblies – 9-Pin (Right Element) 14/17kW	1	
5	1065750	Harness, Full Vat Assembly	1	[1]
6	1065935	Filter Pump C2 to Component Box Wiring Harness	1	
7	8074077	Component Box and Filter Pump Wiring Harnesses	1	
8	8070159	12-Pin Female	1	
9	8070804	15-Pin Male	1	
10	8070160	12-Pin Male	1	
11	8074195	Wiring Harness	1	

PART NOTES:

[1] - WIR0765 required with this harness

Re Series E4 Electric Fryers

Wiring Connectors, Pin Terminals, Seals, And Power Cords and Fasteners



Re Series E4 Electric Fryers

Wiring Connectors, Pin Terminals, Seals, And Power Cords and Fasteners

#	PART #	DESCRIPTION	QTY	Note
1	8073834	Power Cords, Cable, 3-Phase 4-Wire	1	[1]
2	1066530	Power Cords, Cord, Filter System Power 220V 15A	1	
3	8071068	2-Pin Female	1	
4	8073232	Connectors, 4-Pin Female	1	
5	8070158	6-Pin Female	1	
6	8070156	9-Pin Female	1	
7	8070159	12-Pin Female	1	
8	8070875	15-Pin Female	1	
9	8071067	2-Pin Male	1	
10	8072078	Connectors, 4-Pin Male	1	
11	8070157	6-Pin Male	1	
12	8070155	9-Pin Male	1	
13	8070160	12-Pin Male	1	
14	8070804	15-Pin Male	1	
15	8160675	Universal Mate-N-Lock Seals, 4-Pin Wire Seal	1	
16	8160676	Universal Mate-N-Lock Seals, 4-Pin Interface Connector Seal	1	
17	8160667	Universal Mate-N-Lock Seals, 6-Pin Wire Seal	1	
18	8160668	Universal Mate-N-Lock Seals, 6-Pin Interface Connector Seal	1	
19	8160669	Universal Mate-N-Lock Seals, 9-Pin Wire Seal	1	
20	8160670	Universal Mate-N-Lock Seals, 9-Pin Interface Connector Seal	1	
21	8160671	Universal Mate-N-Lock Seals, 12-Pin Wire Seal	1	
22	8160672	Universal Mate-N-Lock Seals, 12-Pin Interface Connector Seal	1	
23	8160673	Universal Mate-N-Lock Seals, 15-Pin Wire Seal	1	
24	8160674	Universal Mate-N-Lock Seals, 15-Pin Wire Seal	1	
25	8261341	Terminal, Female Split Pin	25	
26	8261342	Terminal, Male Split Pin	25	
27	8072518	Plug, Mate-N-Lock	1	[2]
28	8090429	Bolt - 0.25"- 20 x 2.00" Hex Head ZP Tap	1	
29	8090514	Cap Screw - 0.3125" 18 NC Hex	1	
30	8090448	Clip, Tinnerman	1	
31	8261366	Nut - #4-40 Keps Hex	1	
32	8261366	Nut - #4-40 Keps Hex	25	
33	8261358	Nut, 6-32 Keps Hex	1	
35	8090247	Nut - #8-32 Keps Hex	1	
36	8261376	Nut - #10-32 Keps Hex	1	
38	8090766	Nut, 10-32 Keps Hex SS	1	
39	8090581	Nut, 0.5 NPT Locking	1	
40	8090020	Nut Cap 10-24 NP	1	
41	8261372	Nut Grip 0.25-inch 0.25-20 Hex NP	1	
43	8261368	Nut - 0.25-20 Serrated Flange	1	
44	8090535	Nut, "T" 0.25-inch-20 x 0.4375 SS	1	
45	8090540	Nut, Lock 0.5-inch-13 Hex 2-Way ZP	1	
46	8261359	Screw - #4-40 x 0.75" Slotted Round Head	1	
48	8261365	Screw, 6-32 x 0.375-inch Slot Head	1	
50	8090357	Screw, 6 x 0.375-inch Phillips Head NP	1	
51	8090359	Screw, 8 x 0.25-inch Hex Washer Head	1	

Re Series E4 Electric Fryers

Wiring Connectors, Pin Terminals, Seals, And Power Cords and Fasteners

#	PART #	DESCRIPTION	QTY	Note
52	8090360	Screw, 8 x 0.375-inch Hex Washer Slot Head	1	
53	8261371	Screw - #8 x 0.5" Hex Head ZP	1	
55	8090364	Screw - #8 x 0.625" Hex Washer Head ZP	1	
56	8090518	Screw, 8-32 x 0.375-inch Hex Washer Slotted Head SS	1	
57	8090104	Screw, 8-32 x 0.5-inch Slotted Head ZP	1	
58	8261363	Screw - #8-32 x 0.5" NP	1	
60	8261360	Screw - #10-24 x 0.3125" Round Slot Head ZP	1	
62	8261330	Screw, 10-32 x 0.375-inch Slot Head SS	1	
63	8091003	Screw - #10-32 x 0.375" Hex Trim Head SS	1	
64	8261375	Screw - #10-32 x 0.75" - Hex Trim Head SS	1	
66	8091000	Screw - #10-32 x 1.25" - Hex	1	
67	8261374	Screw - #10 x 0.5" Hex Head	1	
69	8090266	Screw, 10 x 0.5-inch Phillips Head ZP	1	
70	8090475	Screw - #10-32 x 0.3125" Hex	1	
71	8090123	Screw - #10 x 0.75" - Slot Head	1	
72	8261389	Screw - 0.25"-20 x 0.75" Hex Head ZP	1	
74	8090582	Washer 0.5 NPT Locking	1	
75	8090184	Washer, #10 LK ZP	1	
76	8090190	Washer, .625 X .275 X 40 Flat SS	1	
77	8090191	Washer, Lock 0.25 Spring ZP	1	
78	8090193	Flat Washer - 0.25" Nylon	1	
79	8090194	Flat Washer - 0.3125" ZP	1	

PART NOTES:

- [1] - Fryer Power Cable
- [2] - Dummy Pin