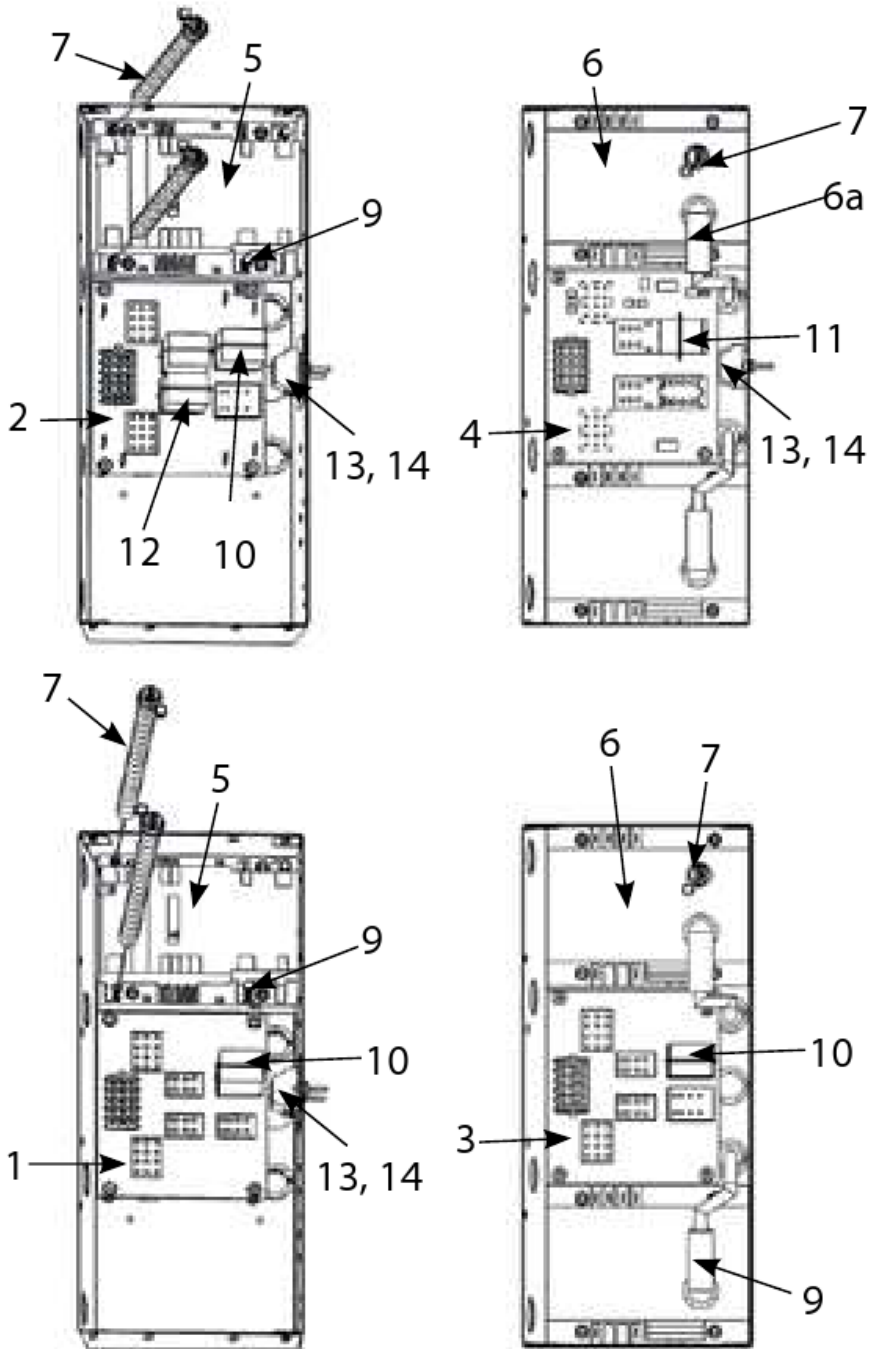


H55

Single H50, 55 Component Boxes



H55

Single H50, 55 Component Boxes

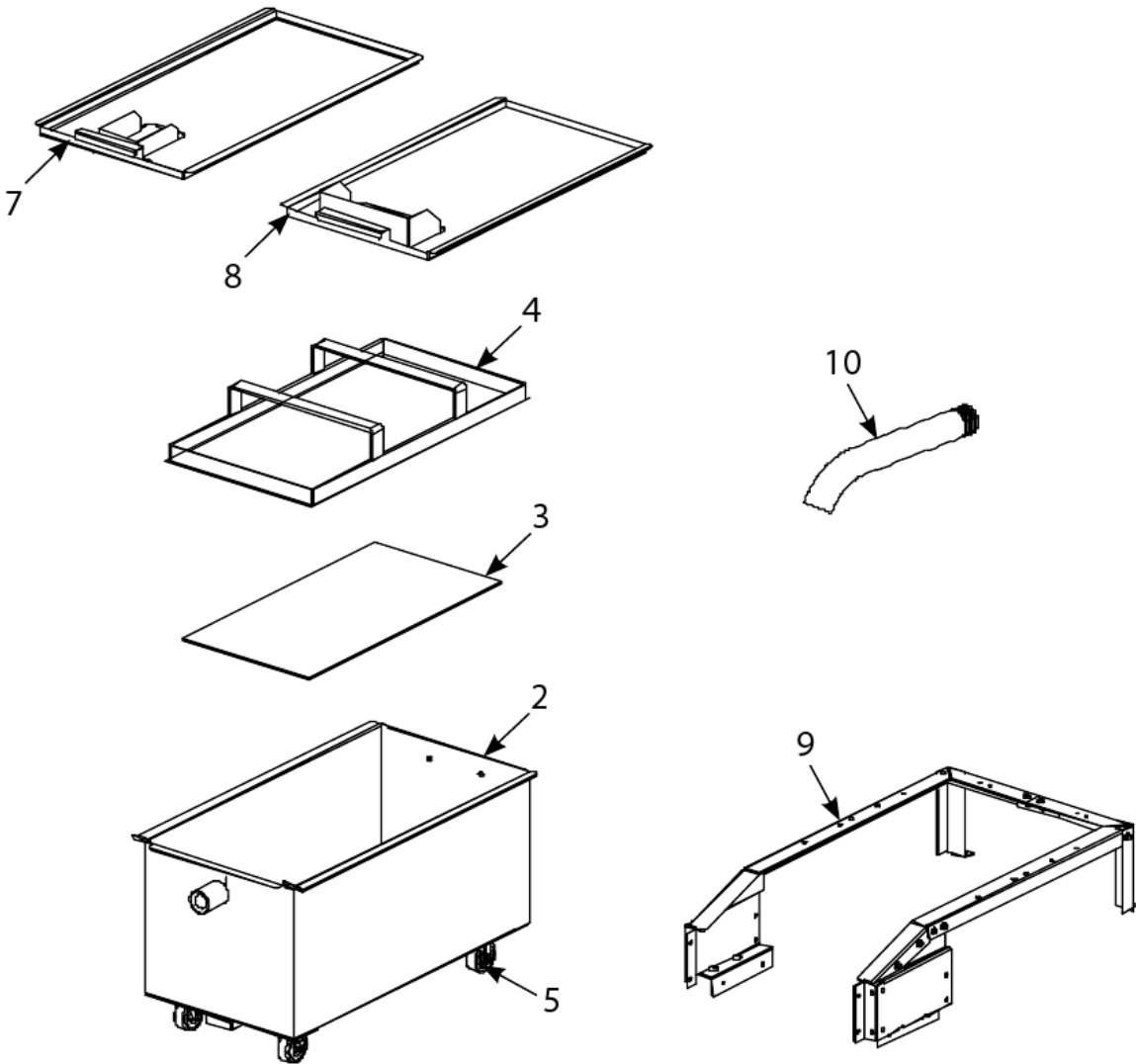
#	PART #	DESCRIPTION	QTY	Note
1	8262264	Interface Board Kit SMT	1	[1]
2	8262264	Interface Board Kit SMT	1	[1]
3	8262264	Interface Board Kit SMT	1	[2]
4	8262776	Interface Board - Gas	1	[3]
5	8073366	Ignition Module, Dual-Spark Full-Vat	1	[4]
5a	8073365	Ignition Module, Single-Spark Dual-Vat	1	[5]
6	8263271	Ignition Module	1	[6]
6a	8075009	Ignition Cable - 19" L	1	
6b	8263271	Ignition Module	1	[7]
7	8066085SP	Wire Assembly, Ignitor	1	
8	8075008	Ignition Cable - 21"	1	
9	8073484	Connector, Rajah	1	[8]
10	8070833	Relay, DPDT 5A 12VDC Latch	1	
11	8073969	latch relay	1	
12	8070834	Relay, SPDT 15A 12VDC Basket Lift	1	
13	8101164	Block, One-Piece Screwless Terminal	1	
14	8160217	Insulation, Terminal Block Paper	1	
15	1066874	Domestic Full-vat Basket Lift SMT	1	
16	1066201	CE Dual-vat non-Basket Lift FAST	1	
17	1066871	Domestic Full-vat non-Basket Lift SMT	1	
18	1066863	CE Full-vat Single non-Basket Lift SMT	1	

PART NOTES:

- [1] - U.S., Canada, Mexico
- [2] - Export
- [3] - FAST
- [4] - U.S., Canada, HK, Mexico
- [5] - U.S., Canada, H.K., Mexico
- [6] - except Australia, Canada, H.K., Mexico
- [7] - Australia
- [8] - non fused ignition modules

H55

Single H50, 55 Filtration System Components



H55

Single H50, 55 Filtration System Components

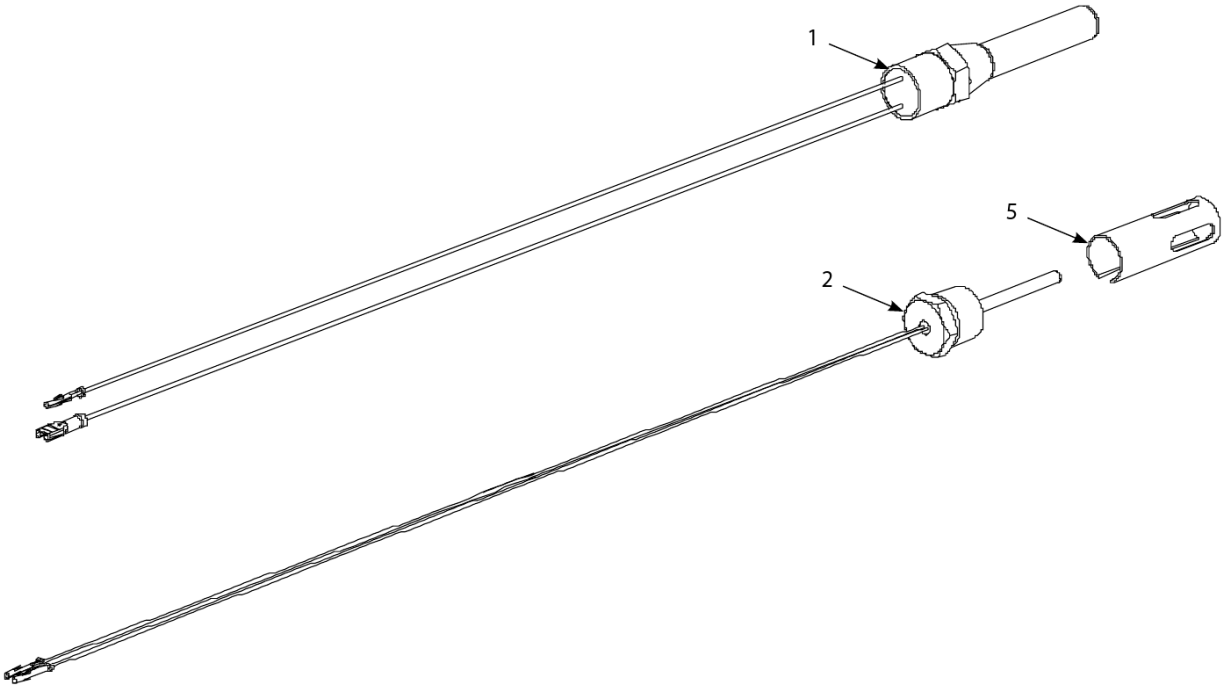
#	PART #	DESCRIPTION	QTY	Note
1	8069255SP	Filter Pan Assembly	1	[1]
2	8232751SP	One-Piece Pan Only	1	
3	8103537	Screen, Sana Grid	1	
4	8101406	Hold Down Ring Assembly	1	
5	8102805	Caster - 2"	1	
6	8160596	O-Ring (two required)	1	
7	8069446SP	Cover, Filter Pan, Full-vat	1	
8	8232284	Cover, Filter Pan, Dual-vat	1	
9	8065317SP	Filter Rail Assembly, Single FP	1	
10	8130188	Drain Nipple, Extended	1	[2]
10a	8130276	Drain Extension, 1-inch, Dual-vat	1	[3]

PART NOTES:

- [1] - includes Items 2, 3, 4, and 5
- [2] - 1.25-inch
- [3] - 1-inch

H55

Single H50, 55 High-Limit Thermostat and Temperature Probe



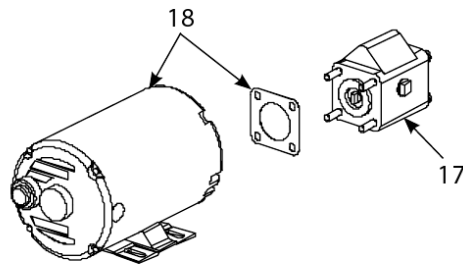
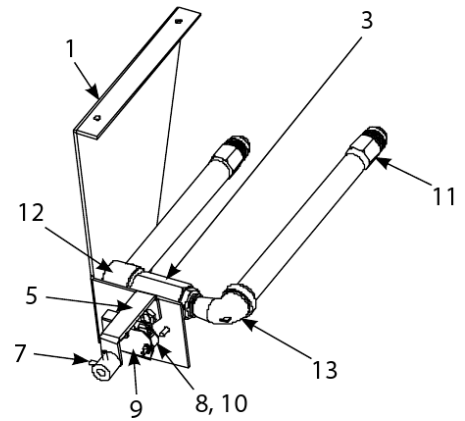
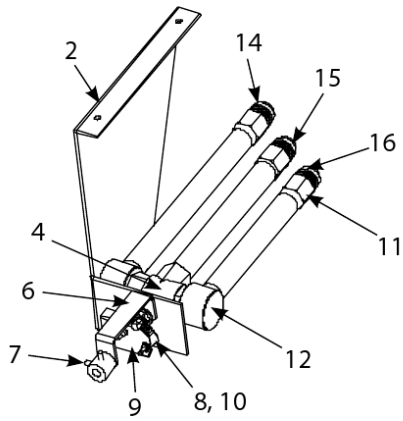
H55

Single H50, 55 High-Limit Thermostat and Temperature Probe

#	PART #	DESCRIPTION	QTY	Note
1	8261177	Thermostat, High-Limit 425°F/218°C	1	
2	8064206	Probe Assembly, Temperature	1	
3	1068457SP	Temperature Probe, FAST	1	
4	8065046	Cable, FAST Probe	1	
5	2100681	Probe Guard	1	

H55

Single H50, 55 Oil Return Components



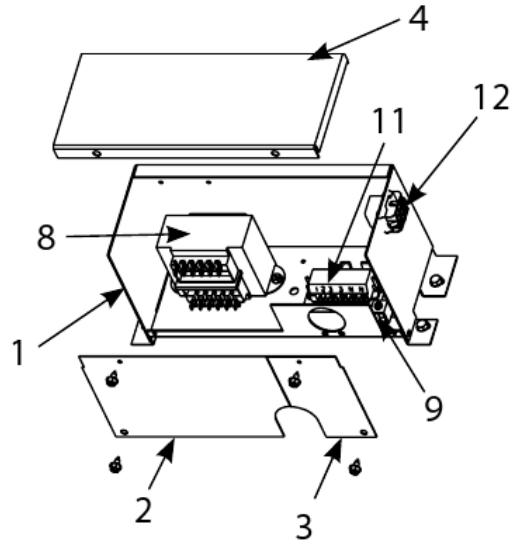
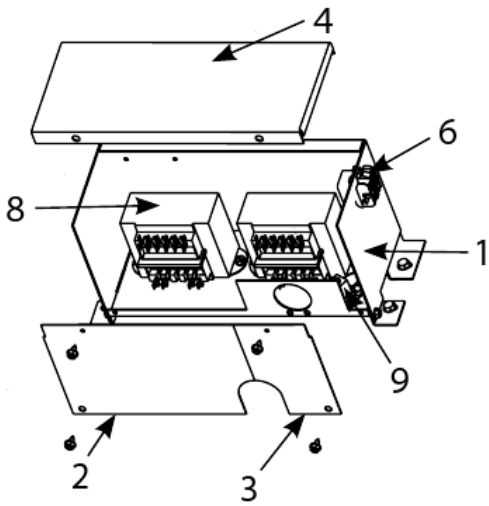
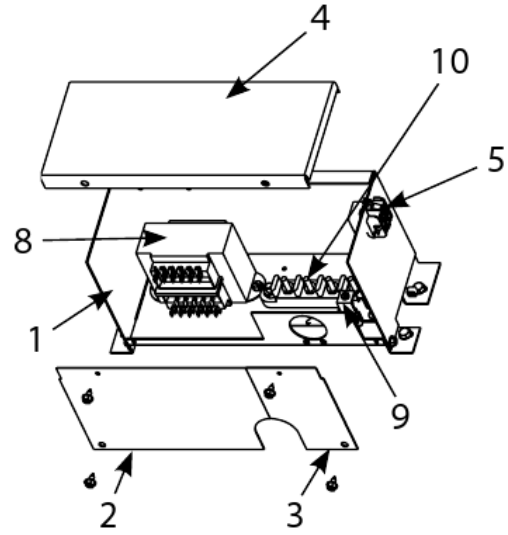
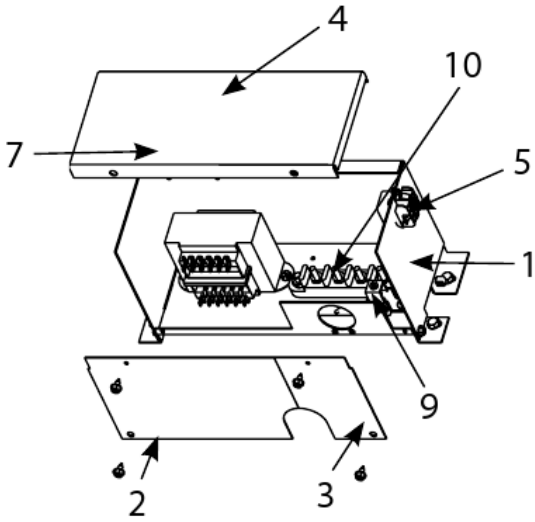
H55

Single H50, 55 Oil Return Components

#	PART #	DESCRIPTION	QTY	Note
1	1081030	Mounting Bracket, Full-vat, Oil Return Valve	1	
2	2204255	Mounting Bracket, Dual-vat, Oil Return Valve	1	
2a	2206187	Bracket, Valve	1	
3	8102201	Valve, Return 0.5" Ball LT	1	
4	8101003	Valve, 180° 3-way Ball	1	
5	8237366	Handle, Full-vat, Oil Return	1	
6	8237215	Handle, Dual-vat, Oil Return	1	
7	8090157	Set Screw, 0.062 Socket, Oil Return Handle	1	
8	8072104	Microswitch	1	
9	9022348	Cover, DV Safety Switch	1	
10	8160220	Insulation, Microswitch	1	
11	8101669	Female Adaptor - 0.875" OD x 0.5"	1	
12	8130908	Adapter, 0.5" NPT 90°	1	
13	8130165	Elbow - 0.5" x 90° NPT Street	1	
14	8130496	Nipple, 0.5-inch NPT x 9.5-inch	1	
15	8130362	Nipple, 0.5" x 7.50 NPT, Black Metal	1	
16	8130099	Nipple, 0.5" x 7.0" NPT BM Pipe	1	
17	8261264	Pump Kit - 4 GPM	1	
17a	8160093	Gasket - Pump/Motor	1	
18	8160093	Gasket - Pump/Motor	1	
18a	8261785	Motor and Gasket Kit - 100V/50-60 Hz	1	
18b	8261712	Motor and Gasket Kit - 115V/50-60 Hz	1	
18c	8261756	Motor and Gasket Kit - 208V/50-60 Hz	1	
18d	8261270	Motor and Gasket Kit - 220-240V/50-60 Hz	1	
18e	8261755	Motor and Gasket Kit - 250V/50-60 Hz	1	

H55

Single H50, 55 Transformer Boxes



H55

Single H50, 55 Transformer Boxes

#	PART #	DESCRIPTION	QTY	Note
1	9002697	Box, MH152 Transformer	1	
2	9002703-FRY	Cover, MH152 Transformer Box Left	1	
3	9002709	Cover, MH152 Transformer Box Right	1	
4	9002708	Cover, MH152 Transformer Box Top	1	
5	8066164SP	Harness Assembly, Domestic	1	
6	1066056	Harness Assembly, FAST	1	
7	8066637	Harness Assembly, CE	1	
8	8074978	Transformer - Dual Voltage 100-120V/12V 30VA /24V 50VA	1	
9	8075129	Transformer - Dual Voltage 208-240V	1	
10	8070070	Terminal, Ground Lug	1	
11	8071973	Terminal, Post	1	
12	8101163	Block, 3-Position Push-In Terminal	1	
13	8066227	H150 100/120V Domestic	1	
14	8066228	H150 220/230/240V Domestic	1	
15	1066058	H150 208-250V FAST	1	
16	8066643	H150 CE	1	