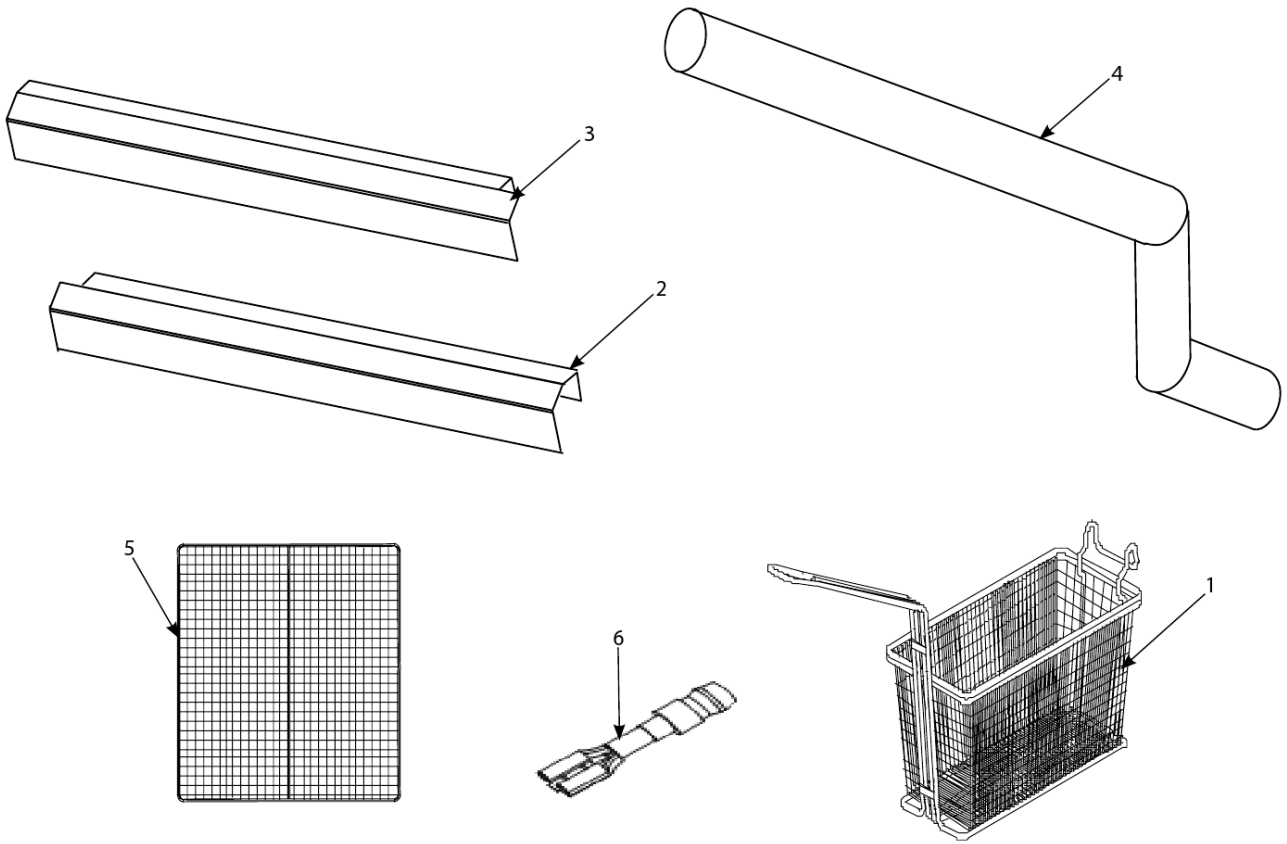


# KSCF18G Cool Zone Series Gas Fryers

## Accessories



# KSCF18G Cool Zone Series Gas Fryers

## Accessories

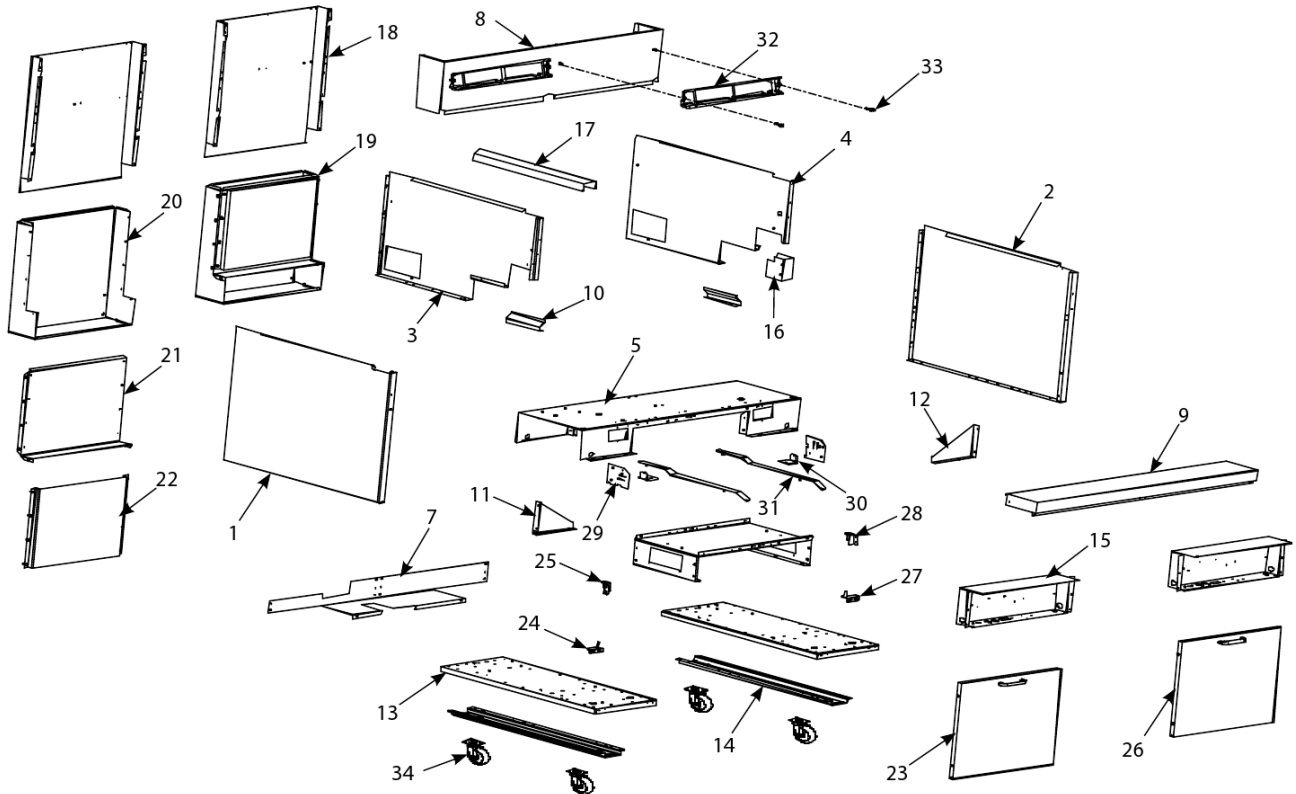
#	PART #	DESCRIPTION	QTY	Note
1	8030306	Twin Fry Basket	1	
2	2118178	Joiner Strip (to mount unit to the left of a 2424G)	1	
3	2128178	Joiner Strip (to mount unit to the right of a 2424G)	1	
4	8235404	Drain Tube (to attach unit drain to a 2424G)	1	
5	8030149	Grid, Frypot	1	
5a	8102235	Basket Support Grid	1	
6	8073484	Connector, Rajah	1	[1]
6a	8262117	Ignition/Spark Module	1	
7	8030293	Gloves, Neoprene	1	[2]
8	8030197	Fryer's Friend	1	
9	8030278	L-shaped Brush	1	

**PART NOTES:**

- [1] - non fused ignition modules
- [2] - pair

# KSCF18G Cool Zone Series Gas Fryers

## Cabinetry and Related Components



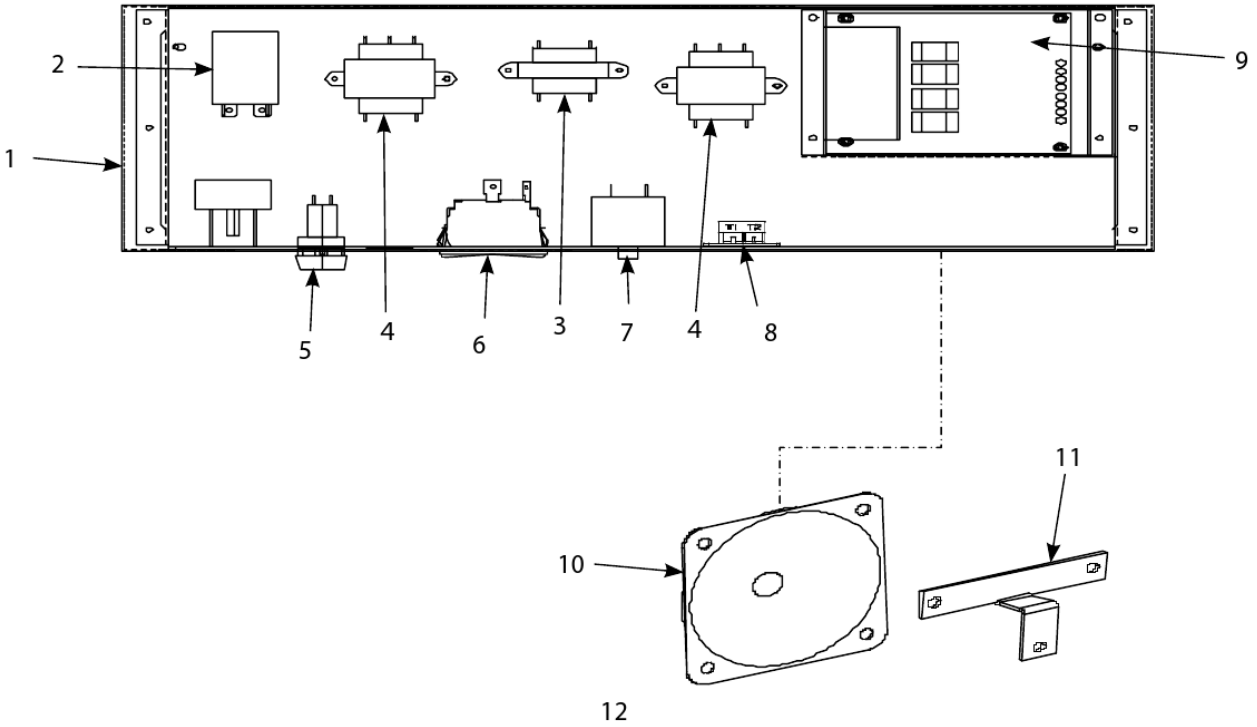
# KSCF18G Cool Zone Series Gas Fryers

## Cabinetry and Related Components

#	PART #	DESCRIPTION	QTY	Note
1	2019081	Side, Cold Rolled Steel Cabinet, Left	1	
2	2029081	Side, Cold Rolled Steel Cabinet, Right	1	
2a	2119606	Side, Stainless Steel Cabinet, Left	1	
2b	2129606	Side, Stainless Steel Cabinet, Right	1	
3	2019080	Inner Panel, Left	1	
4	2029080	Inner Panel, Right	1	
5	8235256	Cabinet Base	1	
6	2008347	Plate, Base Frame	1	
7	2008985	Shield, Rear Cabinet	1	
8	8233366	Flue Cap	1	
9	8241466	Top Cap, Dual	1	
9a	2106204	Marine Edge, Dual	1	
10	2009043	Cover, Inner Panels	1	
11	2019688	Gusset, Side Panel, Left	1	
12	2029688	Gusset, Side Panel, Right	1	
13	8241560	Channel, Base	1	
14	8234064	Channel, Leg Support	1	
15	8241465	Component Box	1	
16	2008182	Post, Door	1	
17	<a href="#">2101288</a>	Joiner Strip	1	
18	2005036	Back, Cabinet	1	
19	1060997	Flue Assembly	1	
20	2001773	Back, Flue	1	
21	2001339	Front, Flue	1	
22	<a href="#">2001325</a>	Shield, Flue Heat	1	
23	1064331	Door Assembly, Left	1	
24	8235051	Hinge, Lower, Left	1	
25	8235061	Hinge, Upper, Left	1	
26	1064332	Door Assembly, Right	1	
27	<a href="#">8235052</a>	Hinge, Lower, Right	1	
28	8235062	Hinge, Upper, Right	1	
28a	<a href="#">8100066</a>	Magnet	1	
28b	<a href="#">8100180</a>	Handle	1	
29	2002713	Plate, Suction Manifold	1	
30	<a href="#">2101180</a>	Insert, Suction Manifold	1	
31	<a href="#">8233347</a>	Frame, Slide Base	1	
32	<a href="#">8102794</a>	Basket Hanger	1	
33	<a href="#">8090171</a>	Thumbscrew, 0.25-20 x 1.375-inch	1	
34	<a href="#">8100356</a>	Caster without Brake - 5"	1	
34a	<a href="#">8100357</a>	Caster with Brake - 5"	1	
34b	<a href="#">8101205</a>	Leg, 6"	1	
34c	2001183	Crisper Tray without Handles	1	

# KSCF18G Cool Zone Series Gas Fryers

## Component Box, Computers, and Related Components



# KSCF18G Cool Zone Series Gas Fryers

## Component Box, Computers, and Related Components

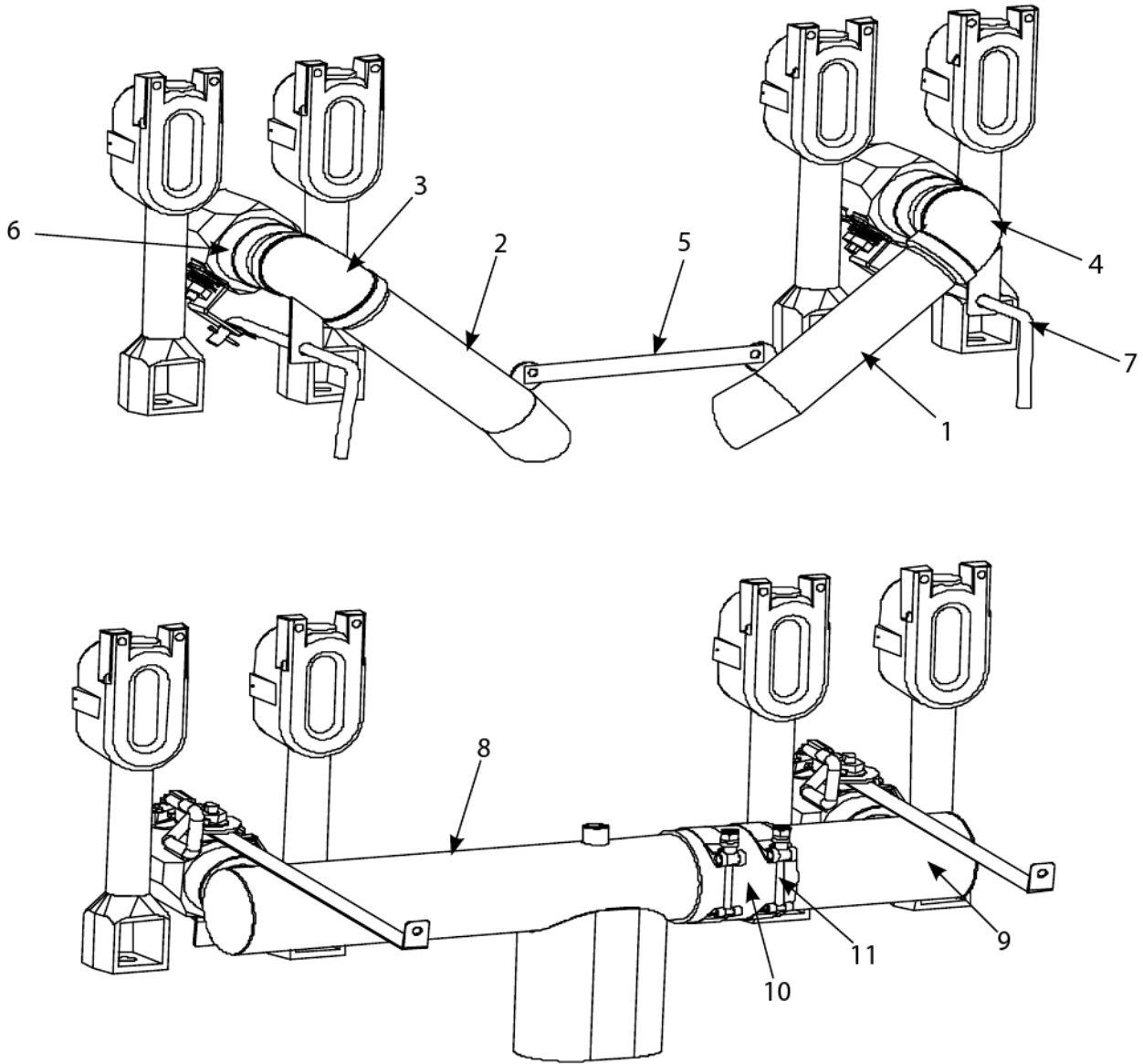
#	PART #	DESCRIPTION	QTY	Note
1	8241465	Component Box	1	
2	8074114	Sound Device, FAST-Ready	1	
2a	1061414	Relay Socket	1	
2b	8073613	Relay Spring	1	
2c	2001337	Relay Bracket with 1 cutout	1	
3	8070855	Transformer - 120V/50-60 Hz - 12V 20VA	1	
4	8070800	Transformer, 100-120V/24V 50VA Filter and MIB	1	
4a	8070680	Transformer, 208V, 50/60Hz -24V 20VA	1	
4b	8075129	Transformer - Dual Voltage 208-240V	1	
5	8070922	Holder, Bus Fuse	1	
5a	8073592	Fuse, 2A, Slow Blow	1	
6	8073580	Switch, Filter By-pass Rocker	1	
6a	8073620	Switch, Filter By-pass Toggle (older units)	1	
7	8073577	Circuit Breaker - 7 amp	1	
7a	8073538	Circuit Breaker - 5 amp	1	
8	8101164	Block, One-Piece Screwless Terminal	1	
9	1066669	Interface Board, Standing Pilot, SMT	1	
9a	8262256	Interface Board, Electronic Ignition, SMT	1	
9b	1066670	Interface Board, Fast Ready, Standing Pilot, SMT	1	
9c	1066671	Interface Board, FAST-Ready	1	
9d	1064971	Plate, Mounting, Interface Board	1	
10	8262458	Speaker - 4 Watts	1	
10a	8074330	Speaker Adapter Harness SMT	1	
11	2002052	Bracket, Speaker	1	
11a	8073546	Bushing, Heyco	1	
11b	8090360	Screw, 8 x 0.375-inch Hex Washer Slot Head	1	
11c	8090766	Nut, 10-32 Keps Hex SS	1	
12	8262753	Computer KFC-1	1	
12a	8232882	Bezel, Computer, KFC-1	1	
12b	8090824	Screw, Control Panel	1	
12c	8262117	Ignition/Spark Module	1	
12d	8073484	Connector, Rajah		[1]
12e	8195733	KFC-1 SMS User's Guide	1	

**PART NOTES:**

[1] - non fused ignition modules

# KSCF18G Cool Zone Series Gas Fryers

## Drain System



# KSCF18G Cool Zone Series Gas Fryers

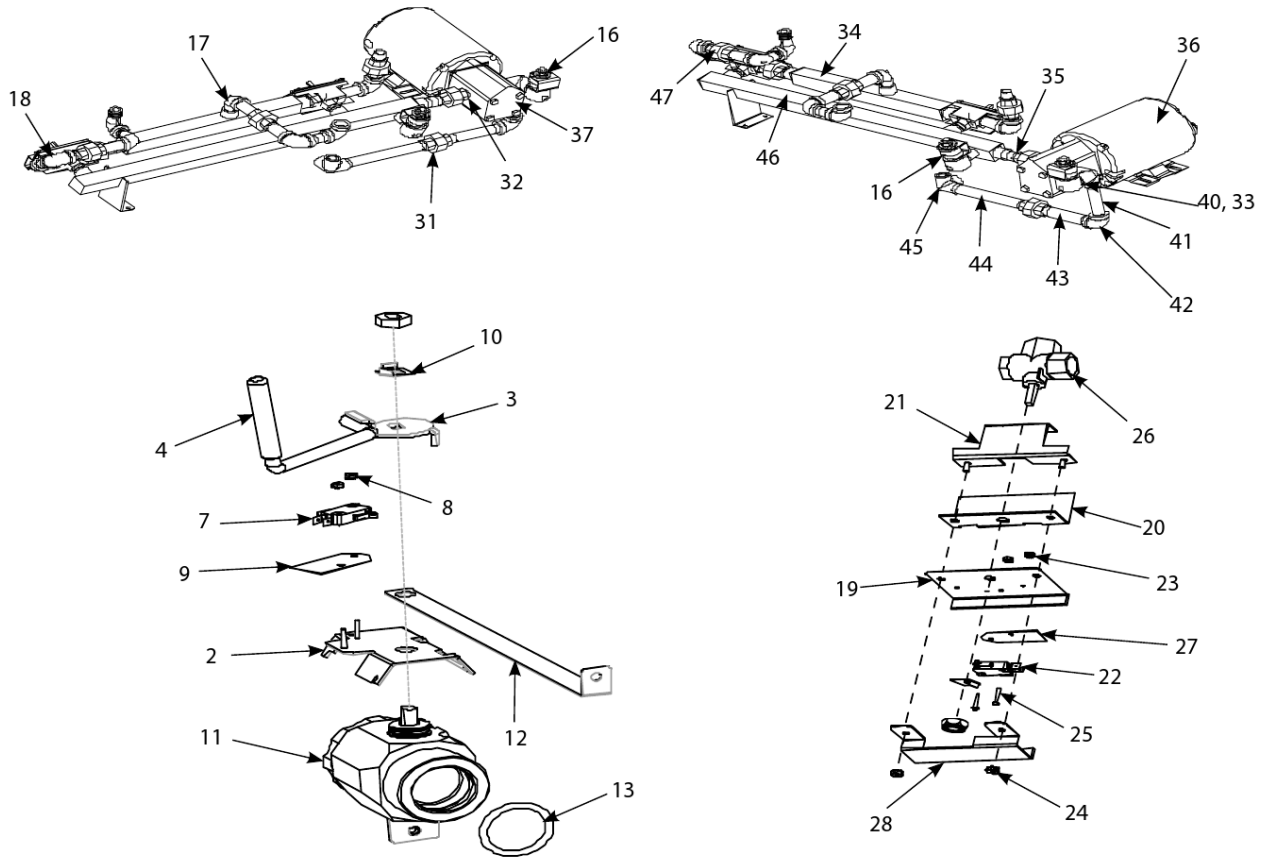
## Drain System

#	PART #	DESCRIPTION	QTY	Note
1	8233358	Drain Pipe- Right	1	
2	8233357	Pipe, Drain Left	1	
3	<a href="#">8233221</a>	Elbow With Bracket, Drain- Left	1	
4	<a href="#">8233222</a>	Elbow With Bracket, Drain- Right	1	
5	<a href="#">2102311</a>	Clamp, Center- Drain Pipe	1	
6	8130687	Nipple, SS- 1-0.5" x Close	1	
7	<a href="#">8233440</a>	Handle, Drain, Push/Pull	1	
8	8235180	Tube, Oval Dump	1	
9	8234950	Tube, Drain Right	1	
10	<a href="#">8160729</a>	Sleeve, Drain Connector	1	
11	<a href="#">8090969</a>	Clamp 3"	1	



# KSCF18G Cool Zone Series Gas Fryers

## Drain Valve, Oil Return, and Related Components



# KSCF18G Cool Zone Series Gas Fryers

## Drain Valve, Oil Return, and Related Components

#	PART #	DESCRIPTION	QTY	Note
1	1064672	Drain Valve and Microswitch Components	1	
2	1061401	Bracket, Microswitch	1	
3	2109374	Bracket, Activator- Microswitch	1	
4	2009345	Handle, Drain Valve	1	
5	8235181	Handle, Push/Pull	1	
6	8160547	Cap, Vinyl- Red	1	
7	8072104	Microswitch	1	
8	8261366	Nut - #4-40 Keps Hex	25	
9	8160220	Insulation, Microswitch	1	
10	2001257	Retainer, Drain Valve Nut	1	
11	8235053	Drain Valve, 1.5" Full Port	1	[1]
12	2008796	Bracket, Drain	1	
13	8160544	O-Ring	1	
14	8100697	Disconnect, Male	1	
15	1064717	Oil Return Valve, Fittings, and Components	1	
16	8072484	Solenoid Valve - 0.25"	1	
17	8130165	Elbow - 0.5" x 90° NPT Street	1	
18	1064763	3-Way Oil Return Valve Assembly	1	
19	2109917	Support, Microswitch Mount	1	
20	2109918	Brace, 3-Way Bottom	1	
21	1065229	Support, Oil Return Valve	1	
22	8072104	Microswitch	1	
23	8261366	Nut - #4-40 Keps Hex	1	
24	8261376	Nut - #10-32 Keps Hex	10	
25	8261359	Screw - #4-40 x 0.75" Slotted Round Head	25	
26	8101003	Valve, 180° 3-way Ball	1	
27	8160220	Insulation, Microswitch	1	
28	2109915	Cover, Microswitch	1	
29	2001143	Ground Wire Lead	1	
30	8090056	Nut - 0.3125"- 24, Hex Head, Nylon Lock	1	
31	8130173	Union, 0.5-inch NPT	1	
32	8130022	Nipple, 0.5" Close NPT BM	1	
33	8130304	Bushing, 0.5-inch NPT to 0.25-inch NPT Flush Reducing	1	
34	8235183	Tubing, Front	1	
35	8130298	Nipple, 0.5" x 2.00" NPT BM Pipe	1	
36	8261712	Motor and Gasket Kit - 115V/50-60 Hz	1	
37	8263192	Pump Kit - 8 GPM	1	
38	8102252	Pump, 5GPM, Filter	1	
39	8160093	Gasket - Pump/Motor	1	
40	8130016	Nipple, 0.125-inch NPT Close	1	
41	8130093-FRY	Nipple - 0.5" NPT x 4"	1	[2]
42	8130062	Elbow - 0.5" BM x 90°	1	
43	8130251	Nipple, 0.5" x 4.5" NPT BM Pipe	1	
44	8130099	Nipple, 0.5" x 7.0" NPT BM Pipe	1	
45	8130331	Elbow, V-Side Outlet 0.5" NPT	1	
46	8235184	Tubing, Rear	1	

# KSCF18G Cool Zone Series Gas Fryers

## Drain Valve, Oil Return, and Related Components

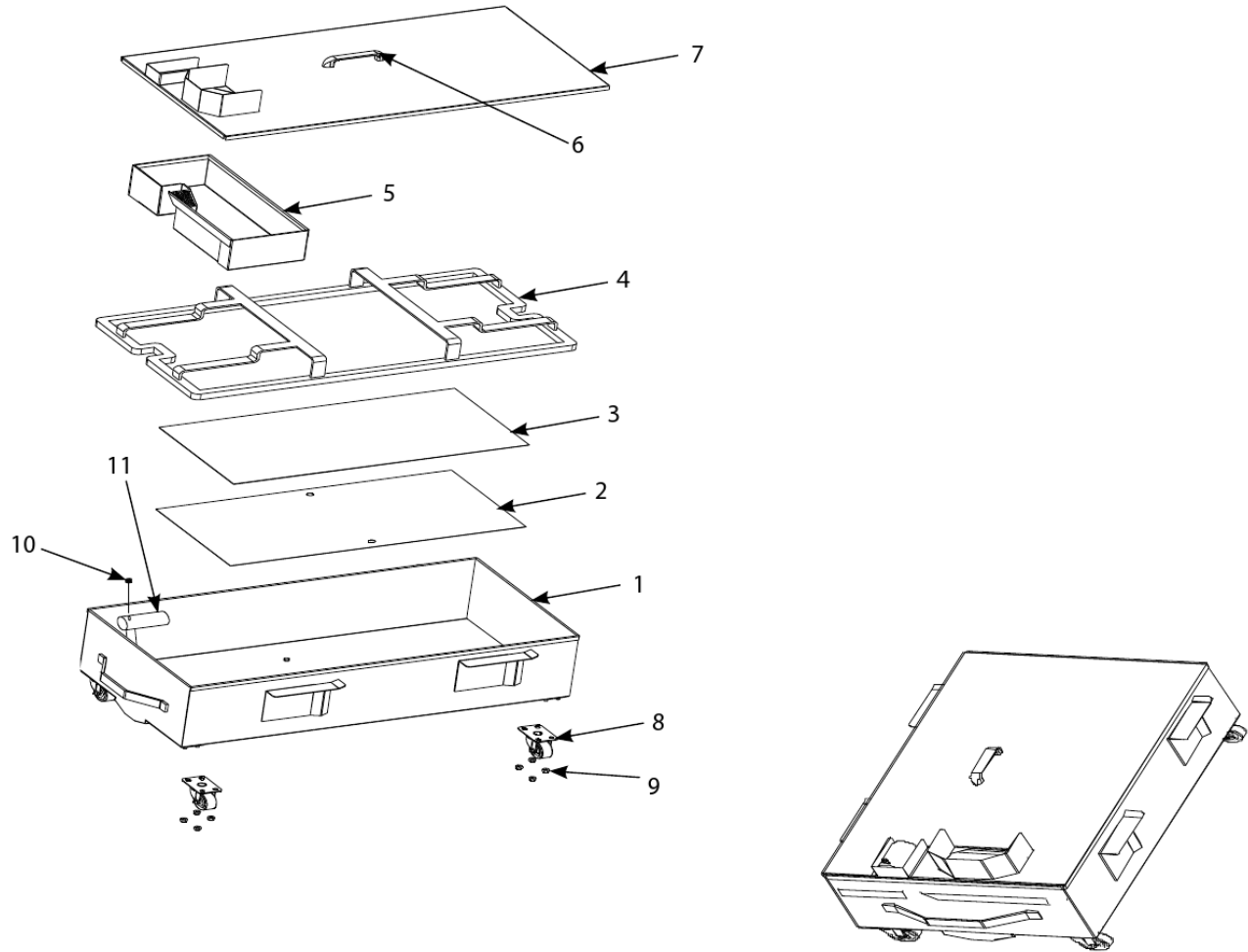
#	PART #	DESCRIPTION	QTY	Note
47	<a href="#">8130265</a>	Nipple - 0.5" x 2.5" NP	1	
48	<a href="#">1062387</a>	Heater Tape Assembly, 36", 120V, 25W	1	

**PART NOTES:**

- [1] - With Washers, Support, & Nut
- [2] - replaces Item 11 in some models

# KSCF18G Cool Zone Series Gas Fryers

## Filter Pan and Related Components



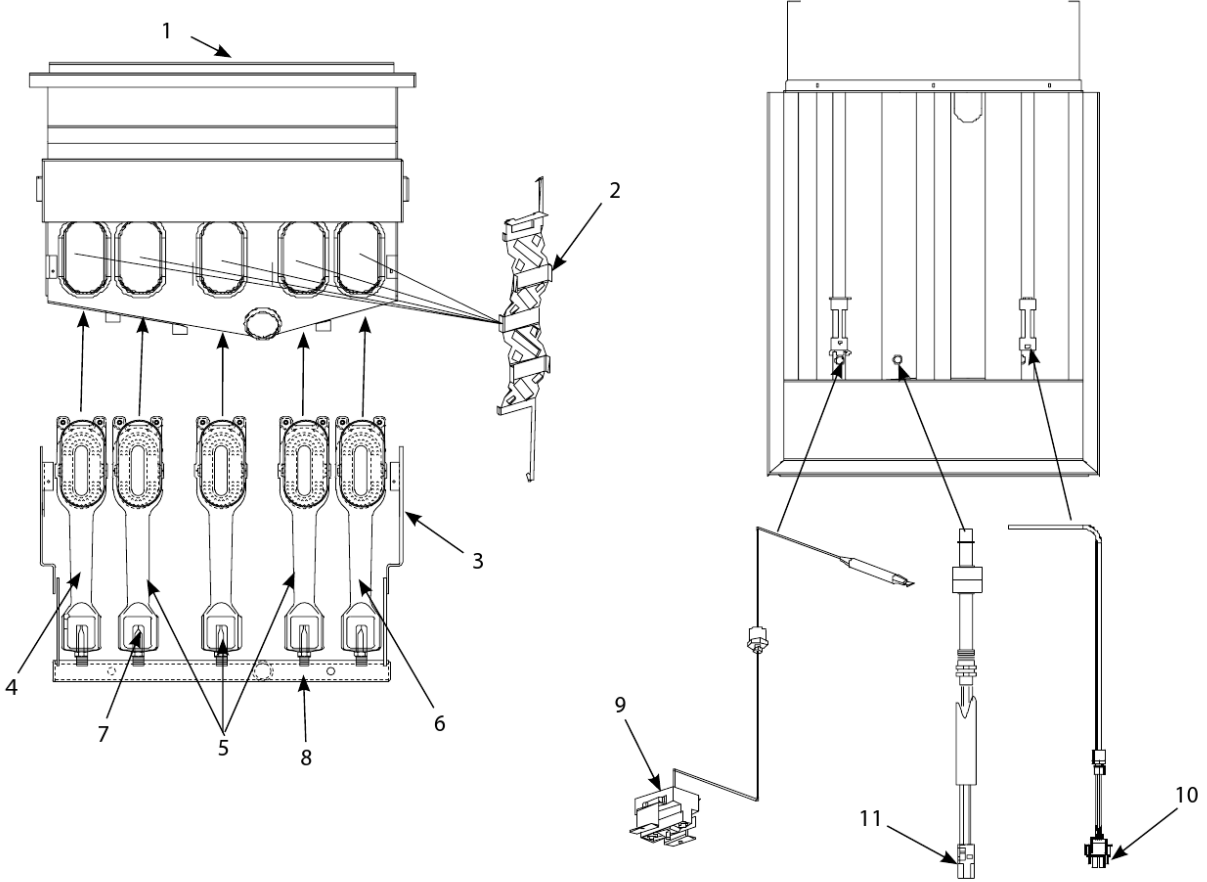
# KSCF18G Cool Zone Series Gas Fryers

## Filter Pan and Related Components

#	PART #	DESCRIPTION	QTY	Note
1	8235214	Pan, Filter	1	
2	1067330	Screen, Filter	1	
3	8030299	Paper, Filter	1	
4	<a href="#">8102911</a>	Ring, Hold-Down	1	
5	<a href="#">8234832</a>	Crumb Basket	1	
6	1064693	Lid, Filter Pan	1	
7	<a href="#">8100180</a>	Handle	1	
8	<a href="#">8102805</a>	Caster - 2"	1	
9	<a href="#">8090823</a>	Nut, Nylock, 0.25-20	1	
10	<a href="#">8130568</a>	Plug, 0.125" SS NPT, Sq-Head	1	
11	8234839	Nipple, Suction	1	
12	<a href="#">8030278</a>	L-shaped Brush	1	
13	<a href="#">8030002</a>	Powder, Filter	1	

# KSCF18G Cool Zone Series Gas Fryers

## Frypot and Related Components



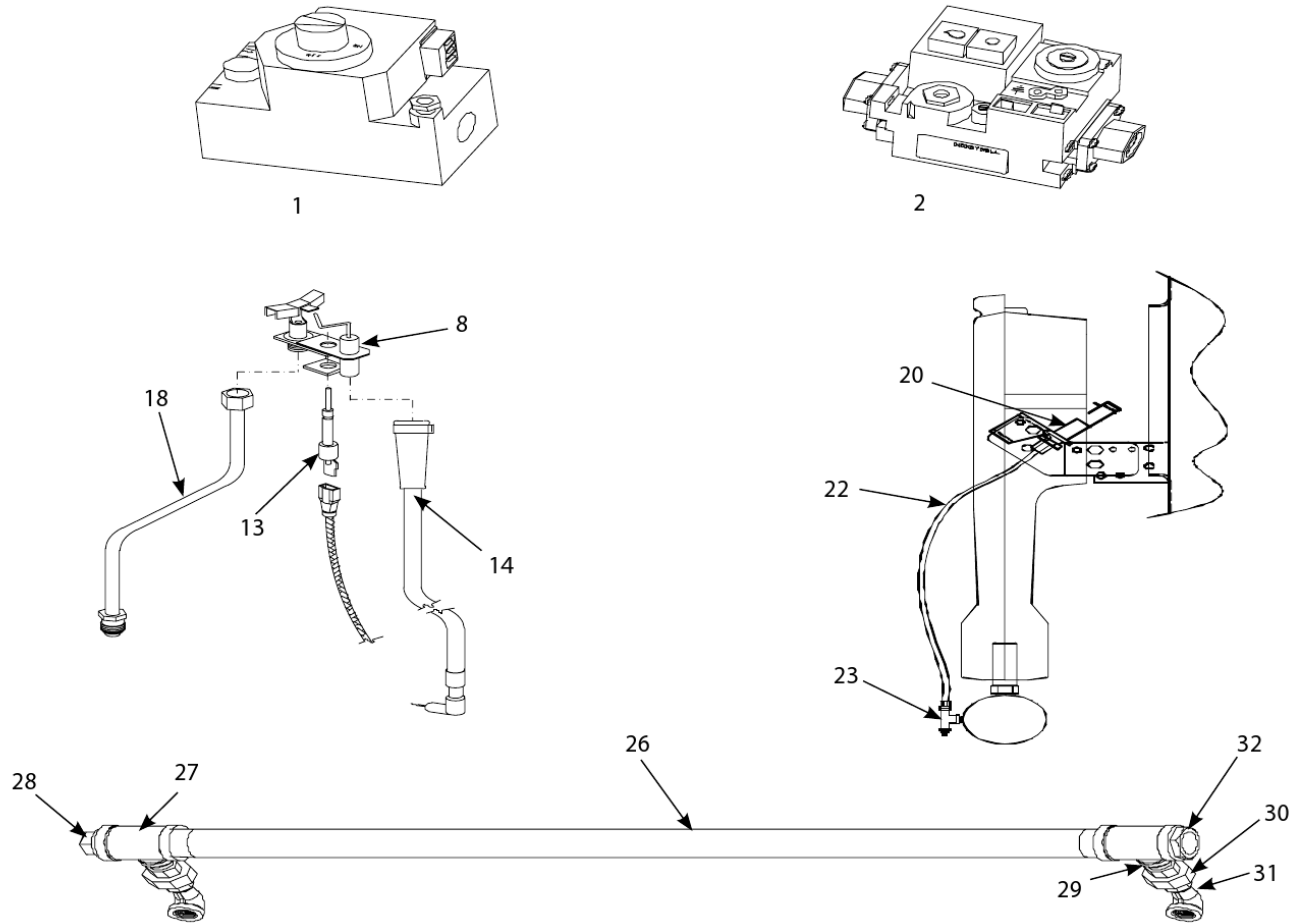
# KSCF18G Cool Zone Series Gas Fryers

## Frypot and Related Components

#	PART #	DESCRIPTION	QTY	Note
1	<a href="#">8236367SP</a>	Frypot	1	
1a	<a href="#">8030149</a>	Grid, Frypot	1	
2	<a href="#">2108387</a>	Diffuser Assembly	1	
3	<a href="#">2001615</a>	Support, Manifold	1	
4	<a href="#">8102151</a>	Burner, Left	1	
5	<a href="#">8102149</a>	Burner, Center	1	
6	<a href="#">8102150</a>	Burner, Right	1	
6a	<a href="#">2003081</a>	Shutter, Air (CE only)	1	
7	<a href="#">8102062</a>	Orifice, 2.58 mm (#38)	1	
7a	<a href="#">8102048</a>	Orifice, 2.53 mm (#39)	1	
7b	<a href="#">8102060</a>	Orifice, 2.40 mm (#42)	1	
7c	<a href="#">8102059</a>	Orifice, 1.51 mm (#53)	1	
7d	<a href="#">8102497</a>	Orifice, 1.32 mm (#55) (LP)	1	
7e	<a href="#">8102365</a>	Orifice, 1.19 mm (#56) (LP)	1	
7f	<a href="#">8102600</a>	Orifice, 4.22 mm (#19) (MFG)	1	
8	<a href="#">8102072</a>	Manifold, Gas	1	
9	<a href="#">8073680</a>	High-limit Thermostat, Manual Reset 450° F	1	
9a	<a href="#">8073560</a>	High-limit Thermostat, Manual Reset 410° F	1	
9b	<a href="#">2101433</a>	High-Limit Bracket	1	
10	<a href="#">8262423</a>	Probe Assembly, Temperature	1	
11	<a href="#">8262146</a>	Float Switch Kit	1	

# KSCF18G Cool Zone Series Gas Fryers

## Gas Valves, Pilot Assemblies, and Related Components





# KSCF18G Cool Zone Series Gas Fryers

## Gas Valves, Pilot Assemblies, and Related Components

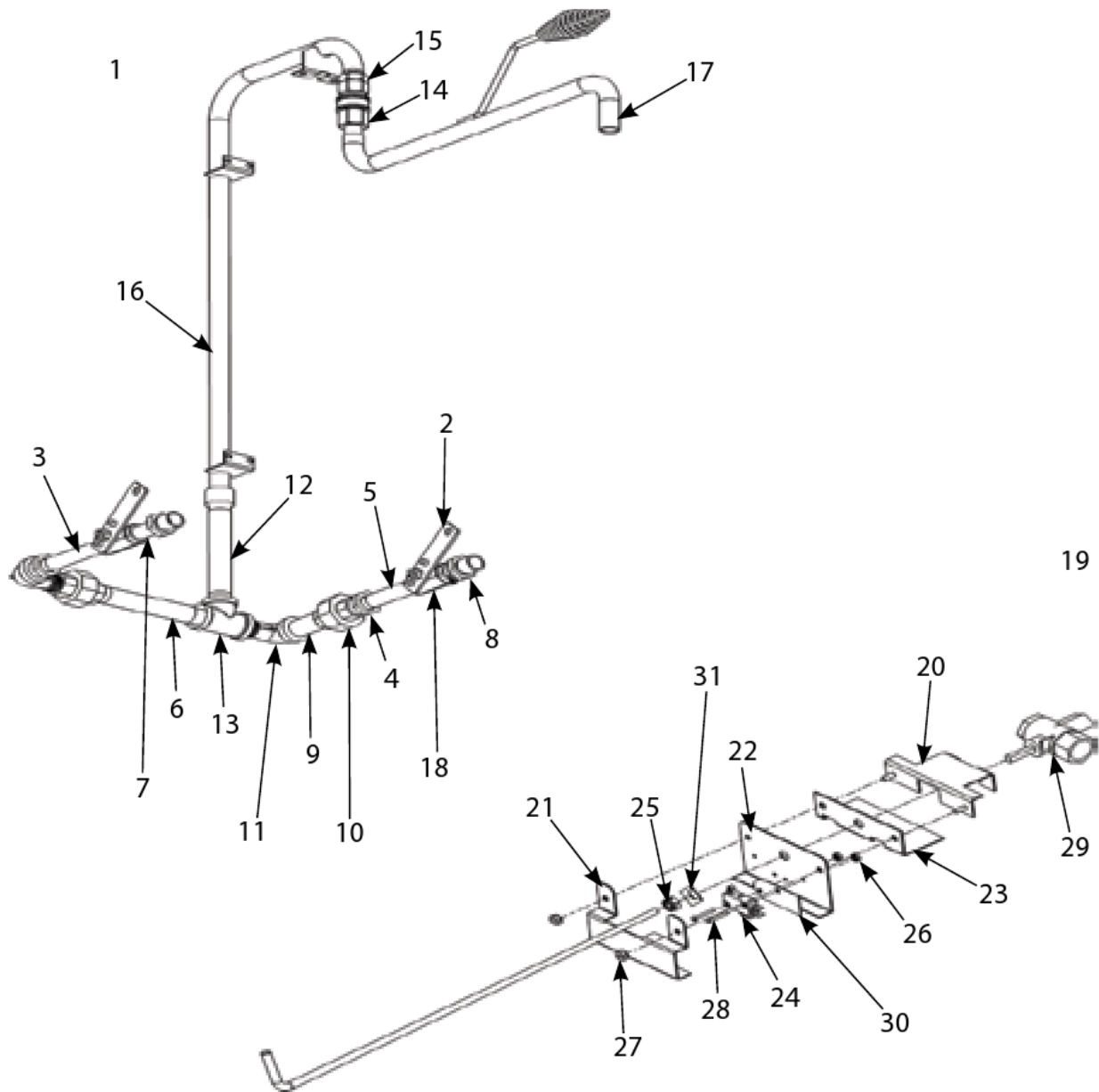
#	PART #	DESCRIPTION	QTY	Note
1	8073552	Gas Valve, Natural and Manufactured Gas, 24V	1	[1]
1a	8073628	Gas Valve, LP, 24V	1	[1]
2	8066710SP	Gas Valve, Natural Gas, 24V	1	[2]
2a	8066711SP	Gas Valve, LP, 24V	1	[2]
3	8100691	Tube, 0.125-inch Vent	1	
4	8130066	Elbow, 0.75-inch NPT x 90°	1	
5	8130664	Nipple, 0.75 x 1.5" NPT BM	1	
6	8130174	Union, 0.75" NPT BM	1	
7	1061768SP	ECO Connector Assembly	1	[2]
8	8102032	Pilot Burner, RS (Natural)	1	
9	1081651SP	Pilot Burner, LP, Electronic Ignition	1	
10	8121284	Thermocouple	1	[2]
11	8073550	Thermocouple	1	[1]
12	8073485	Thermopile	1	[1]
13	8071310	Flame Sensor, Ignitor	1	
14	1063553	Cable, Ignitor	1	
15	8262117	Ignition/Spark Module	1	
16	1062351SP	Harness, Spark Module	1	
17	1060978SP	Harness, Spark Module/Valve	1	
18	8100705	Gas Line, Pilot Supply - 0.25 x 20"	1	
19	8101172	Gas Line, Pilot Supply - 0.25 x 23"	1	[3]
20	8102155	Pilot Burner, RS (LP)	1	
21	8102032	Pilot Burner, RS (Natural)	1	
22	8100703	Pilot Tubing, Gas Valve to Pilot	1	
23	8130887	Valve, Pilot Adjustment - 0.125" NPT x 0.25" CC	1	
24	8090845	Screw, 10-32 x 0.375"	1	
25	8090766	Nut, 10-32 Keps Hex SS	1	
26	8130882	Pipe (Nipple), 1.25" x 34.75" TBE NPT	1	
27	8130637	Tee, 1.25" x 1.25" x 0.5" NPT BM	1	
28	8130658	Plug, 1.25" Square Head NPT BM	1	
29	8130022	Nipple, 0.5" Close NPT BM	1	
30	8130173	Union, 0.5-inch NPT	1	
31	8130165	Elbow - 0.5" x 90° NPT Street	1	
32	8130716	Bushing, 1" x 1.25" Hex BM	1	
33	8102043	Clamp, 0.5"	1	
34	2106564	Piezo Ignitor Components Bracket, Pilot Thermocouple	1	[2]
35	8101001	Trigger, Piezo Ignitor	1	[2]
36	2001868	Piezo Bracket	1	[2]
37	8073540	Electrode, Piezo	1	[2]

### PART NOTES:

- [1] - Non-CE
- [2] - CE
- [3] - CE Only

# KSCF18G Cool Zone Series Gas Fryers

## Over-the-Top Oil Return and Related Components



# KSCF18G Cool Zone Series Gas Fryers

## Over-the-Top Oil Return and Related Components

#	PART #	DESCRIPTION	QTY	Note
1	1062983	Oil Return Assembly	1	
2	8233344	Handle, Actuator- Oil Return Valve	1	
3	8130826	Nipple, 0.375" x 4, BM	1	
4	8130006	Bushing, Reducing- 0.5 x 0.375" NPT BM	1	
5	8130777	Nipple, 0.375" x 3.5", BM	1	
6	8130742	Nipple, 0.5" x 5.50 NPT, BM	1	
7	8130676	Nipple, Black, TBE 0.375" NPT x 2"	1	
8	8130625	Nipple, 0.375" x Close NPT BM	1	
9	8130265	Nipple - 0.5" x 2.5" NP	1	
10	8130173	Union, 0.5-inch NPT	1	
11	8130165	Elbow - 0.5" x 90° NPT Street	1	
12	8130096	Nipple, 0.6-inch NPT x 6-inch (15.2 cm)	1	
12a	8130093-FRY	Nipple - 0.5" NPT x 4"	1	[1]
13	8130003-FRY	Tee - 0.5" NPT	1	
14	8102700	Nipple, Quick Disconnect, Suptite	1	
15	8102699	Coupling, Quick Disconnect, Suptite	1	
16	8132514	Tubing, Faucet, Lower	1	
17	8132513	Tubing, Faucet, Upper	1	
18	8102125	Valve, 0.375-inch Oil Return Ball	1	
19	1064763	3-Way Oil Return Valve Assembly	1	
20	1065229	Support, Oil Return Valve	1	
21	2109915	Cover, Microswitch	1	
22	2109917	Support, Microswitch Mount	1	
23	2109918	Brace, 3-Way Bottom	1	
24	8072104	Microswitch	1	
25	8090056	Nut - 0.3125"- 24, Hex Head, Nylon Lock	1	
26	8261366	Nut - #4-40 Keps Hex	1	
27	8261382	Wingnut	1	
28	8261359	Screw - #4-40 x 0.75" Slotted Round Head	1	
29	8101003	Valve, 180° 3-way Ball	1	
30	8160220	Insulation, Microswitch	1	
31	9002935	Retainer, Nut Oil Return Valve	1	

**PART NOTES:**

[1] - replaces Item 11 in some models