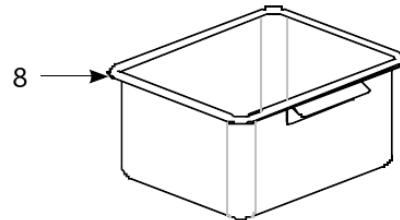
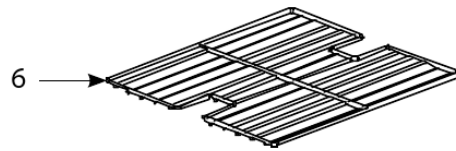
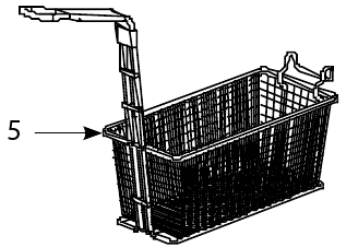
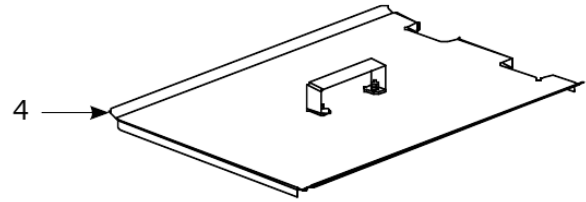
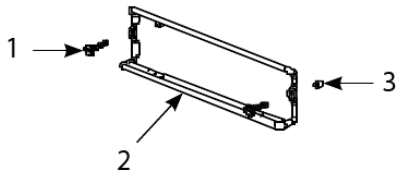


# Navy Submarine Electric Fryers

## Accessories



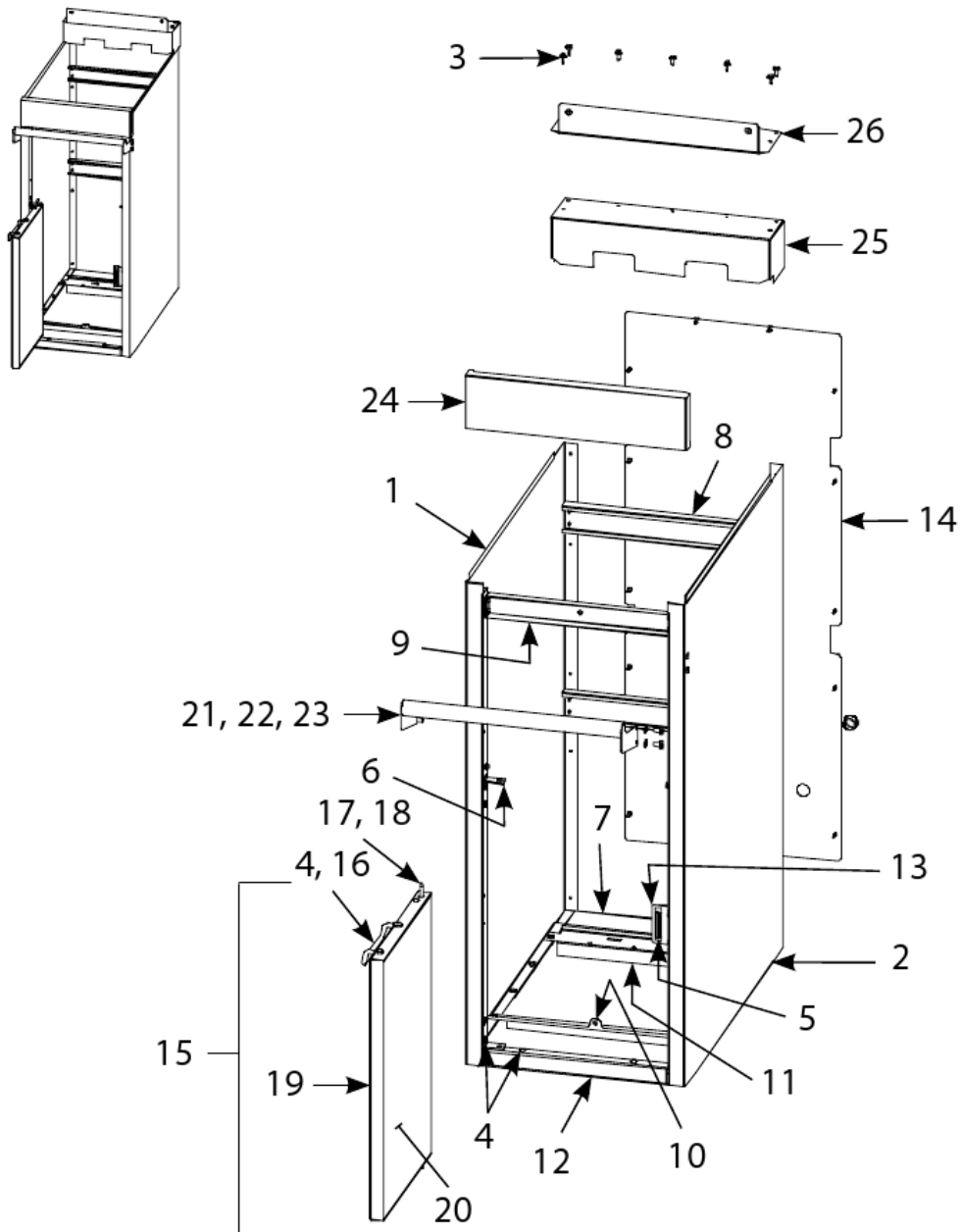
# Navy Submarine Electric Fryers

## Accessories

| # | PART #      | DESCRIPTION                           | QTY | Note |
|---|-------------|---------------------------------------|-----|------|
| 1 | 8090171     | Thumbscrew, 0.25-20 x 1.375-inch      | 1   |      |
| 2 | 8101403     | Hanger, Wireform Basket               | 1   |      |
| 3 | 8090921-FRY | Spacer, Basket Hanger                 | 1   |      |
| 4 | 8068558     | Cover Assembly, Navy Submarine Frypot | 1   |      |
| 5 | 8121386     | Basket, Twin                          | 1   |      |
| 6 | 8030132     | Rack, Full-Vat Basket Support         | 1   |      |
| 7 | 8130188     | Drain Nipple, Extended                | 1   |      |
| 8 | 8232109     | Drain Pan, Military                   | 1   |      |

# Navy Submarine Electric Fryers

## Cabinetry



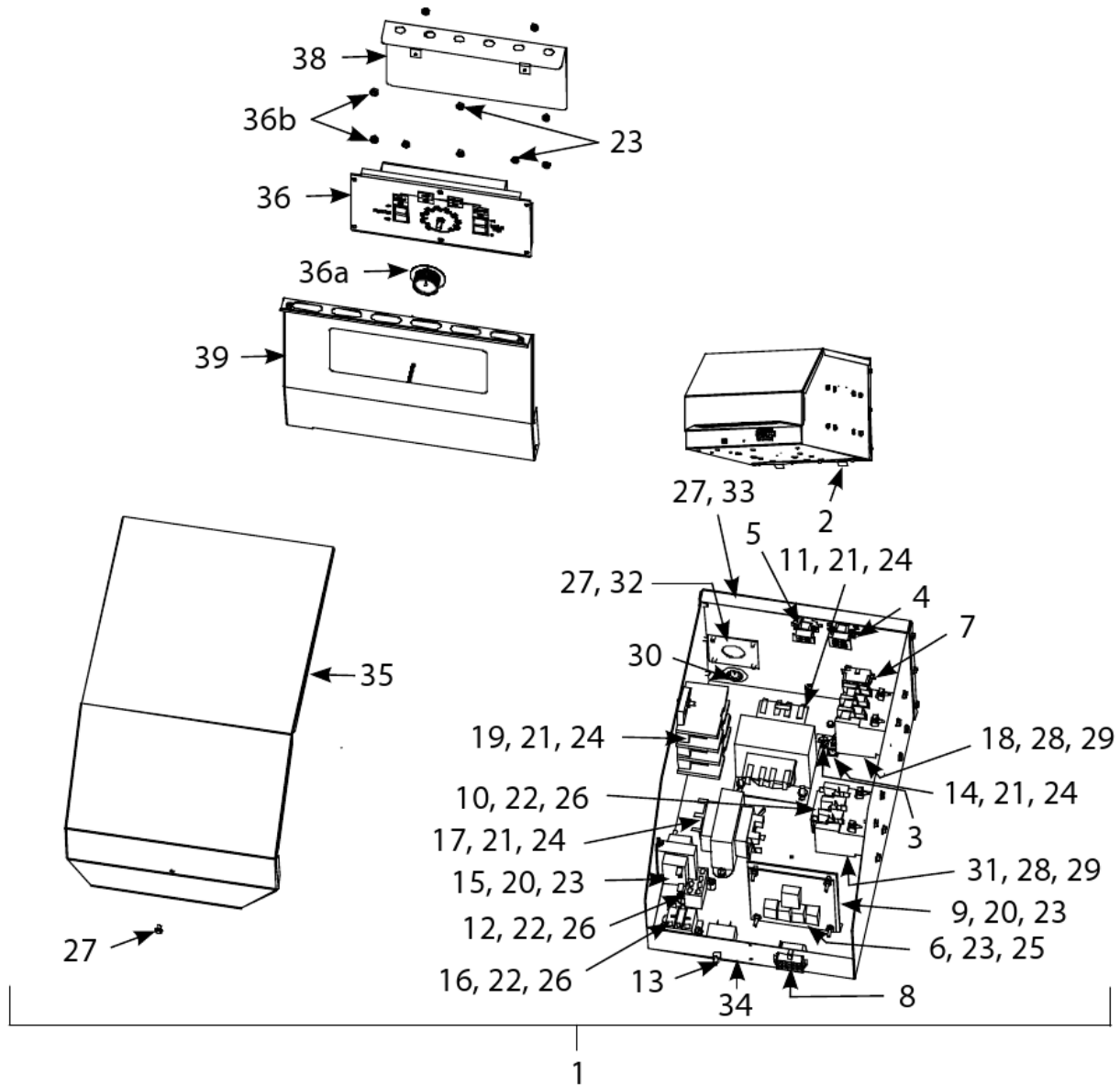
# Navy Submarine Electric Fryers

## Cabinetry

| #  | PART #                    | DESCRIPTION  | QTY | Note |
|----|---------------------------|--|-----|------|
| 1  | 8069180SP                 | Side, Submarine Left Cabinet                                     | 1   |      |
| 2  | 8069181SP                 | Side, Submarine Right Cabinet                                    | 1   |      |
| 3  | <a href="#">8261374</a>   | Screw - #10 x 0.5" Hex HeadScrew, #10 X 0.5-inch Hex Washer Head | 25  |      |
| 4  | <a href="#">8261379</a>   | Screw, #10 X 0.5-inch Phillips Truss Head                        | 10  |      |
| 5  | <a href="#">8101105</a>   | Door Magnet - Vertical   | 1   |      |
| 6  | <a href="#">8101508</a>   | Hinge, Universal Door  | 1   |      |
| 7  | 9005726                   | Base, One-Piece Submarine Cabinet                                | 1   |      |
| 8  | 9005742                   | Brace, Submarine Cabinet Rear                                    | 1   |      |
| 9  | 9005743                   | Brace, Submarine Cabinet Front                                   | 1   |      |
| 10 | 9005762                   | Brace, Submarine Contactor Box Front                             | 1   |      |
| 11 | 9005763                   | Brace, Submarine Contactor Box Rear                              | 1   |      |
| 12 | 9105754                   | Panel, Submarine Cabinet Base Cover                              | 1   |      |
| 13 | 9105768                   | Bracket, Submarine Cabinet Door                                  | 1   |      |
| 14 | 9109472                   | Panel, Submarine Cabinet Back                                    | 1   |      |
| 15 | 8068470                   | Door Assembly, Submarine Cabinet                                 | 1   |      |
| 16 | <a href="#">8101422</a>   | Handle, Wireform Door  | 1   |      |
| 17 | <a href="#">1064067SP</a> | Door Pin Assembly  | 1   |      |
| 18 | <a href="#">8261343</a>   | Spring - Door Pin Hinge  | 1   |      |
| 19 | 8240649                   | Panel, Submarine Cabinet Door                                    | 1   |      |
| 20 | 9005746                   | Liner, Submarine Cabinet Door                                    | 1   |      |
| 21 | <a href="#">8232718</a>   | Handle, Submarine Fryer  | 1   |      |
| 22 | <a href="#">8261380</a>   | Screw, 0.25-20 X 0.5-inch Slotted Pan Head                       | 5   |      |
| 23 | <a href="#">8090192</a>   | Washer, 0.25-inch Star   | 1   |      |
| 24 | <a href="#">8240697</a>   | Topcap, Submarine Fryer  | 1   |      |
| 25 | 8240638                   | Housing, Submarine Element                                       | 1   |      |
| 26 | <a href="#">8069166SP</a> | Support, Submarine Basket Hanger                                 | 1   |      |

# Navy Submarine Electric Fryers

## Controller and Contactor Box Components



# Navy Submarine Electric Fryers

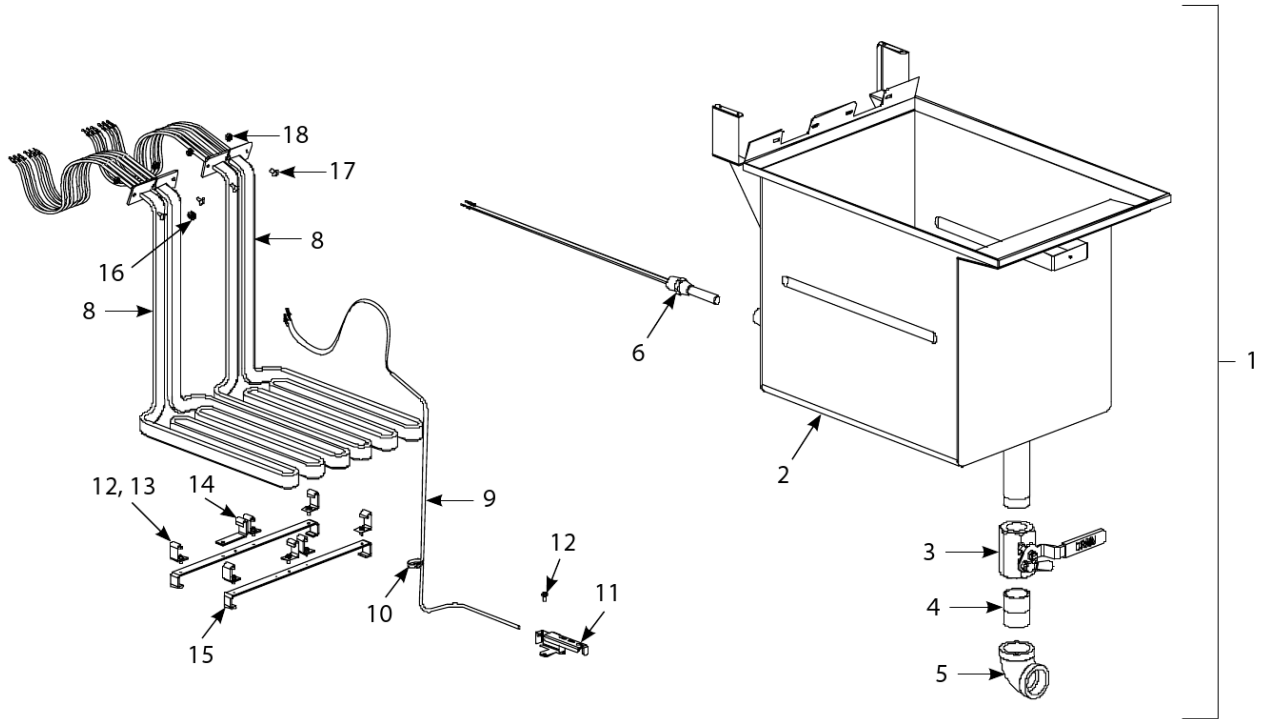
## Controller and Contactor Box Components

| #   | PART #    | DESCRIPTION   | QTY | Note |
|-----|-----------|---|-----|------|
| 1   | 1060142SP | Contactora Box Assembly, Navy Submarine                           | 1   |      |
| 2   | 2000204   | Brace, Contactora Box Rear  | 1   |      |
| 3   | 8020742   | Label, Ground   | 1   |      |
| 4   | 8067187SP | Wire Assembly, Right Element                                      | 1   |      |
| 5   | 8067189SP | Wire Assembly, Left Element                                       | 1   |      |
| 5a  | 8068243SP | Wire Assembly, Navy Transformer                                   | 1   |      |
| 6   | 8067935   | Interface Board, Navy Shipboard                                   | 1   |      |
| 7   | 8068345SP | Harness, Navy Submarine Fryer                                     | 1   |      |
| 8   | 8068346SP | Cable, Navy Submarine Controller                                  | 1   |      |
| 9   | 8068364   | Stud Assembly, Interface Board                                    | 1   |      |
| 10  | 8070012   | Filter Relay - 18A 24VAC  | 1   |      |
| 11  | 8070064   | Transformer, 480V/120V 150 VA                                     | 1   |      |
| 12  | 8070067   | Terminal Block, 8-Pin   | 1   |      |
| 13  | 8070069   | Circuit Breaker, 10 Amp   | 1   |      |
| 14  | 8070070   | Terminal, Ground Lug  | 1   |      |
| 15  | 8070855   | Transformer - 120V/50-60 Hz - 12V 20VA                            | 1   |      |
| 16  | 8071683   | Relay, 12VDC Secondary Blower Fan to cool frypot                  | 1   |      |
| 17  | 8072181   | Transformer, 100-120V/24V 62VA                                    | 1   |      |
| 18  | 8072284   | Contactora, 24V 50 Amp Mechanical                                 | 1   |      |
| 19  | 8072464   | Power Block, Delta  | 1   |      |
| 20  | 8261365   | Screw, 6-32 x 0.375-inch Slot Head                                | 25  |      |
| 21  | 8090123   | Screw - #10 x 0.75" - Slot Head                                   | 1   |      |
| 22  | 8261366   | Nut - #4-40 Keps Hex  | 25  |      |
| 23  | 8090250   | Nut, 6-32 Keps Hex  | 1   |      |
| 24  | 8261376   | Nut - #10-32 Keps Hex   | 10  |      |
| 25  | 8090349   | Spacer, 4mm X 6mm Aluminum  | 1   |      |
| 26  | 8261359   | Screw - #4-40 x 0.75" Slotted Round Head                          | 25  |      |
| 27  | 8090359   | Screw, 8 x 0.25-inch Hex Washer Head                              | 1   |      |
| 28  | 8261374   | Screw - #10 x 0.5" Hex Head                                       | 25  |      |
| 29  | 8090448   | Clip, Tinnerman   | 1   |      |
| 30  | 8100743   | Plug, 0.75-inch Hole  | 1   |      |
| 31  | 8101202   | Contactora, 24V 40 Amp Mechanical                                 | 1   |      |
| 32  | 9002752   | Plate, Cordset  | 1   |      |
| 33  | 9004983   | Back, Contactora Box  | 1   |      |
| 34  | 9004984   | Box, Contactora   | 1   |      |
| 35  | 9008304   | Cover, Contactora Box   | 1   |      |
| 36  | 8069215   | Controller, Navy Submarine Fryer                                  | 1   |      |
| 36a | 8100387   | Knob  | 1   |      |
| 36b | 8261358   | Nut, 6-32 Keps Hex  | 25  |      |
| 37  | 8121353   | Controller Cable, 15-Pin Male Connectors on 5-Foot Shielded Cable | 1   |      |
| 38  | 9008612   | Shield, Controller Heat   | 1   |      |
| 39  | 1063438   | Bezel Assembly, Submarine Controller                              | 1   |      |

Controller and Contactora Box Components

# Navy Submarine Electric Fryers

## Frypot, Elements, and Associated Components



# Navy Submarine Electric Fryers

## Frypot, Elements, and Associated Components

| #  | PART #      | DESCRIPTION   | QTY | Note |
|----|-------------|---|-----|------|
| 1  | 1060044SP   | Frypot and Drain Assembly, Complete                 | 1   |      |
| 2  | 8232895     | Frypot, Navy Submarine                              | 1   |      |
| 3  | 8101569     | Valve, 1.25-inch, Non-filter, Full-vat Drain        | 1   |      |
| 4  | 8130391-FRY | Nipple - 1.25" x Close NPT                          | 1   |      |
| 5  | 8130070     | Elbow, 1.25-inch X 90°                              | 1   |      |
| 6  | 8261177     | Thermostat, High-Limit 425°F/218°C                  | 1   |      |
| 7  | 8069771SP   | Element Assembly, Navy Submarine                    | 1   |      |
| 8  | 8073268     | Element, 440V/7kW Navy Submarine                    | 1   |      |
| 9  | 8073269     | Probe, Navy Submarine Temperature                   | 1   |      |
| 10 | 8090567     | Tie-Wrap - Metal                                    | 1   |      |
| 11 | 9105022     | Bracket, Temperature Probe                          | 1   |      |
| 12 | 8090518     | Screw, 8-32 x 0.375-inch Hex Washer Slotted Head SS | 1   |      |
| 13 | 9102042     | Clamp, Element                                      | 1   | [1]  |
| 14 | 9105213     | Clamp, Element and Probe                            | 1   | [2]  |
| 15 | 9108932     | Support, Element                                    | 1   |      |
| 16 | 8261339     | Bushing, .375-inch Split                            | 10  |      |
| 17 | 8261330     | Screw, 10-32 x 0.375-inch Slot Head SS              | 25  |      |
| 18 | 8261376     | Nut - #10-32 Keps Hex                               | 10  |      |
| 19 | 8067796SP   | High-Limit and Probe Wiring Harness                 | 1   |      |

### PART NOTES:

- [1] - Short
- [2] - Long