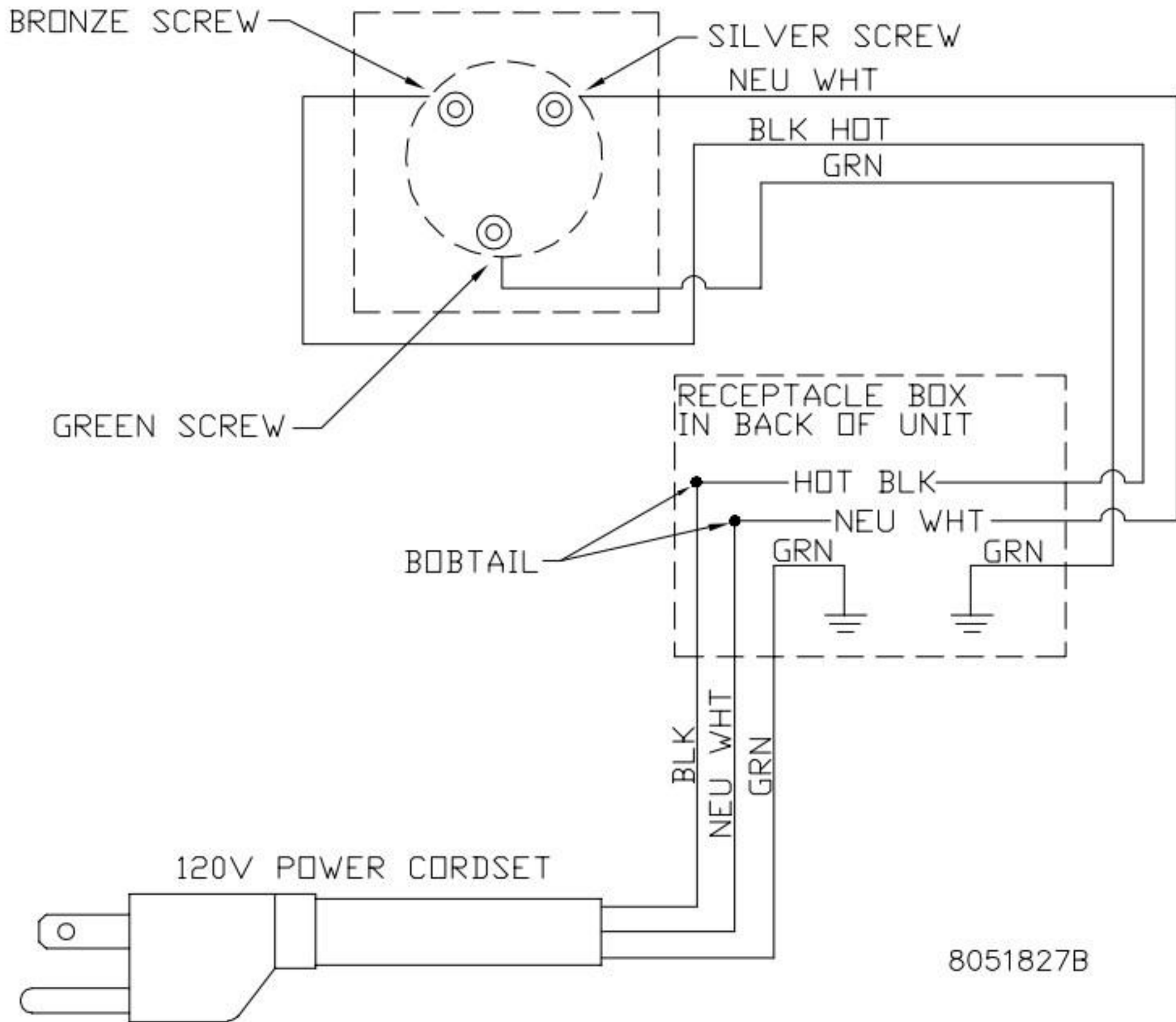
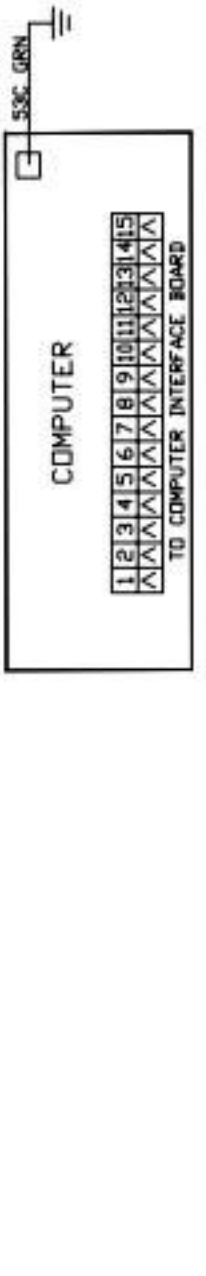
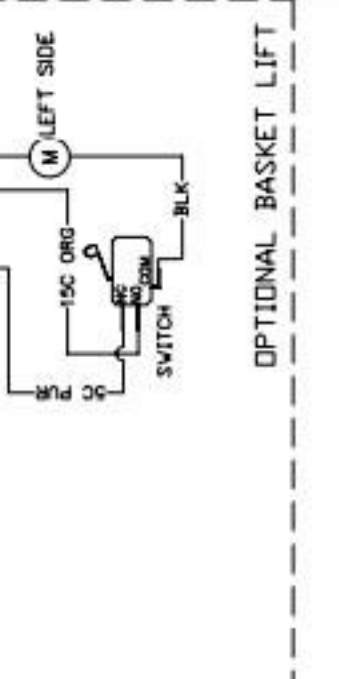
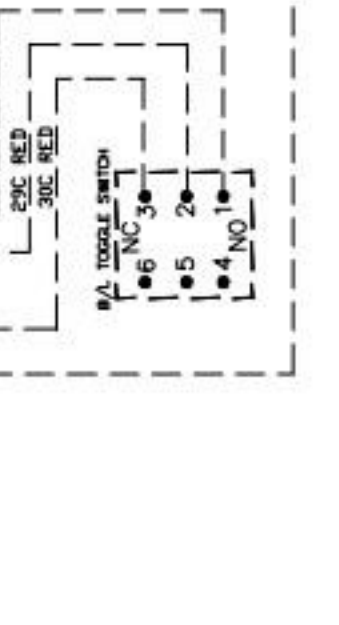
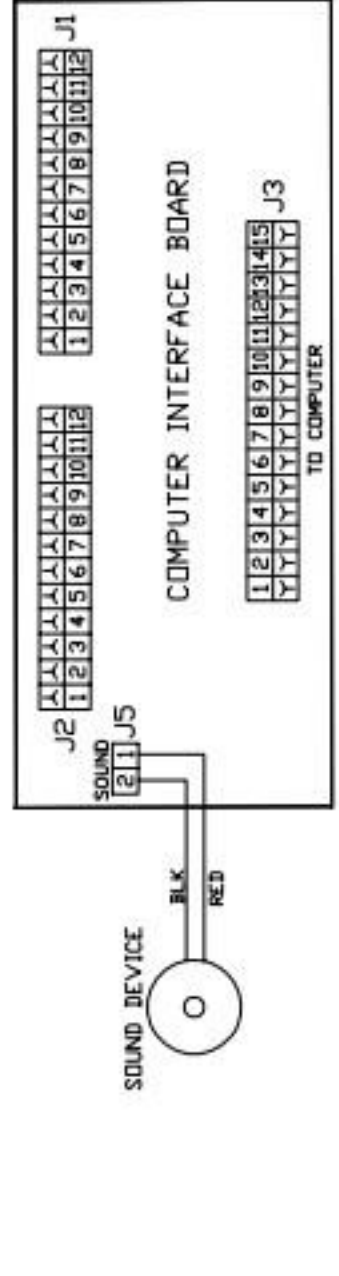
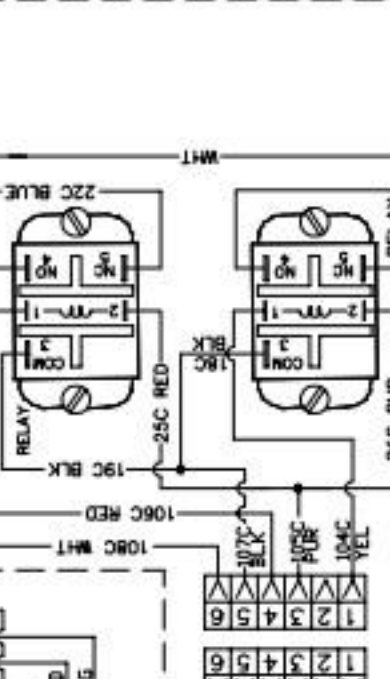
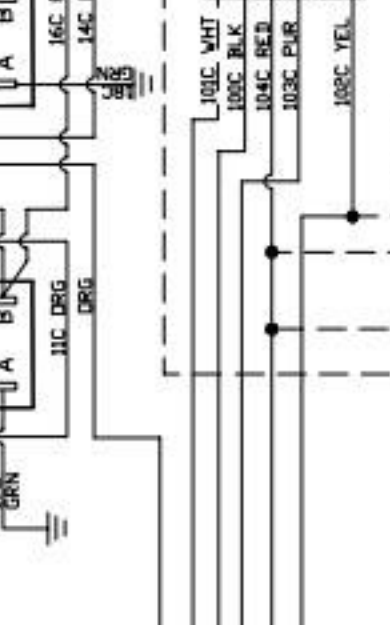
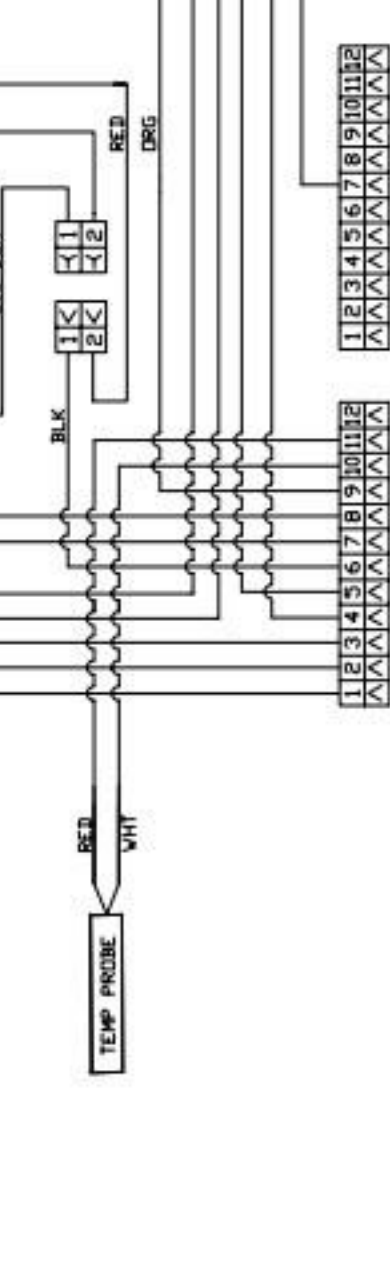
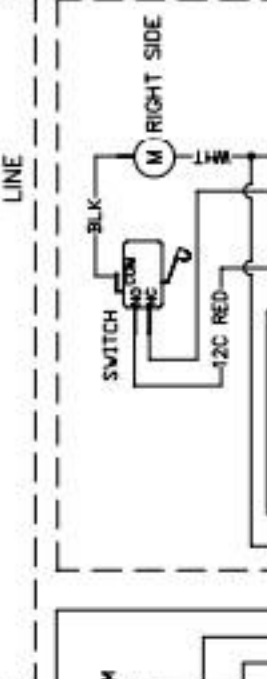
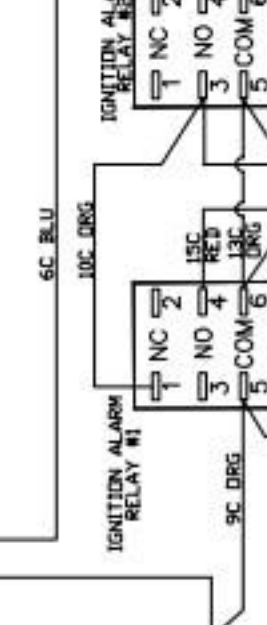
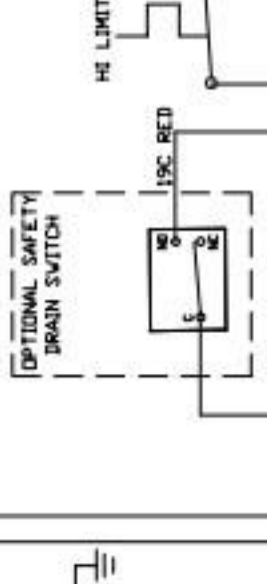
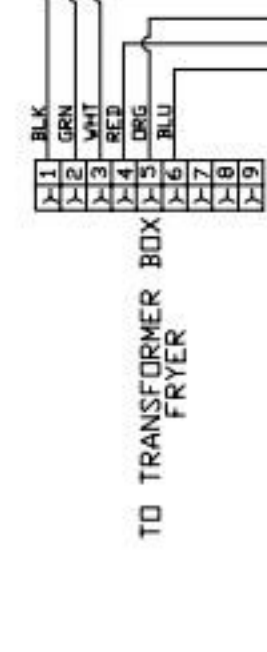
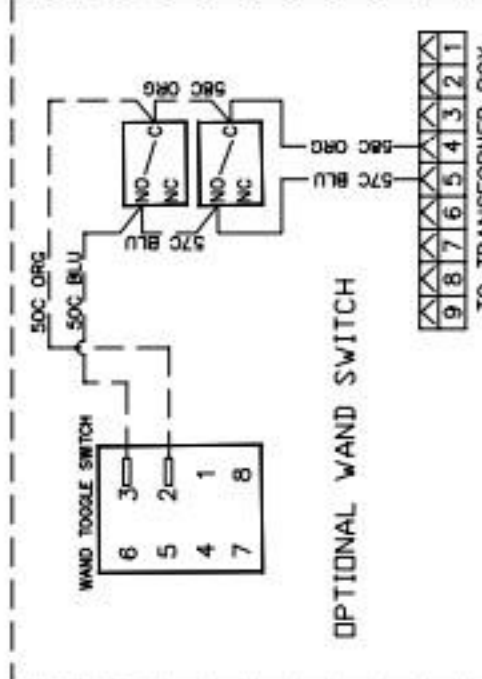
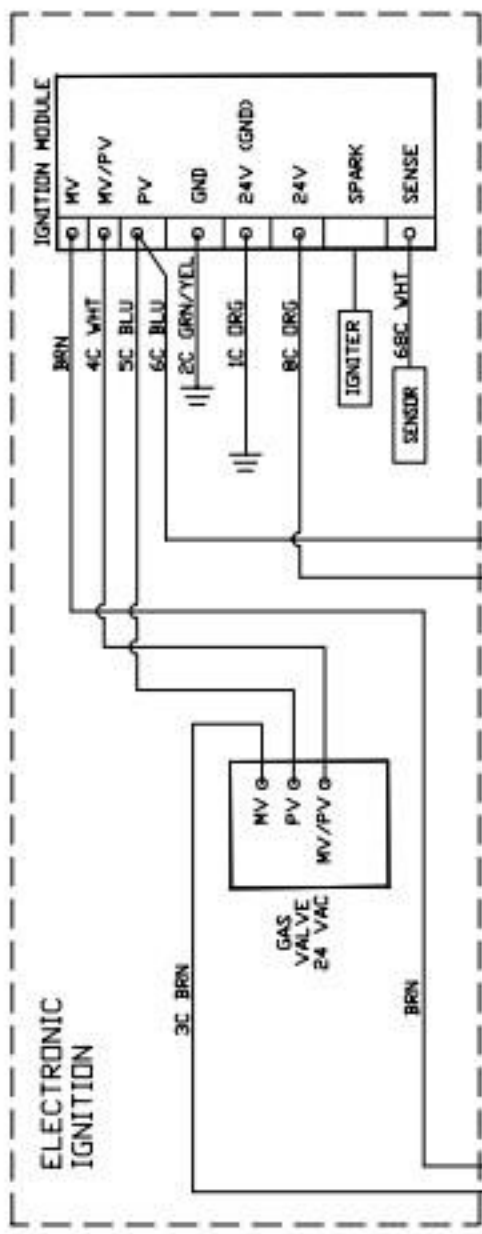
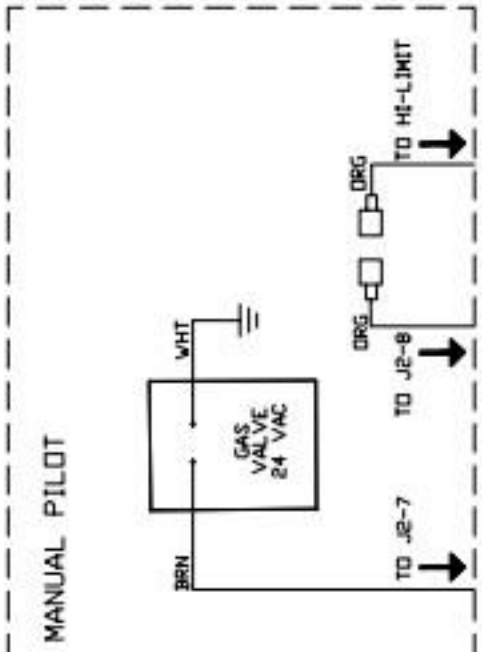


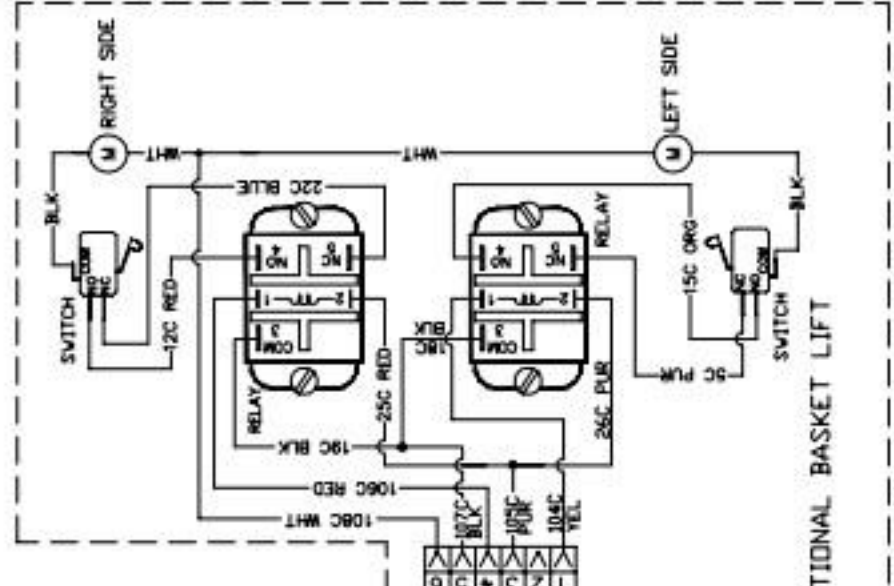
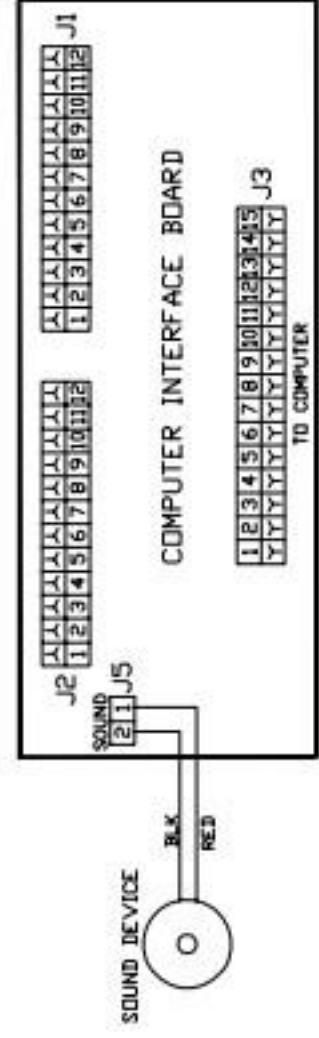
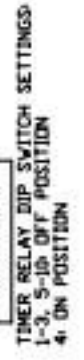
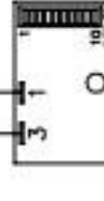
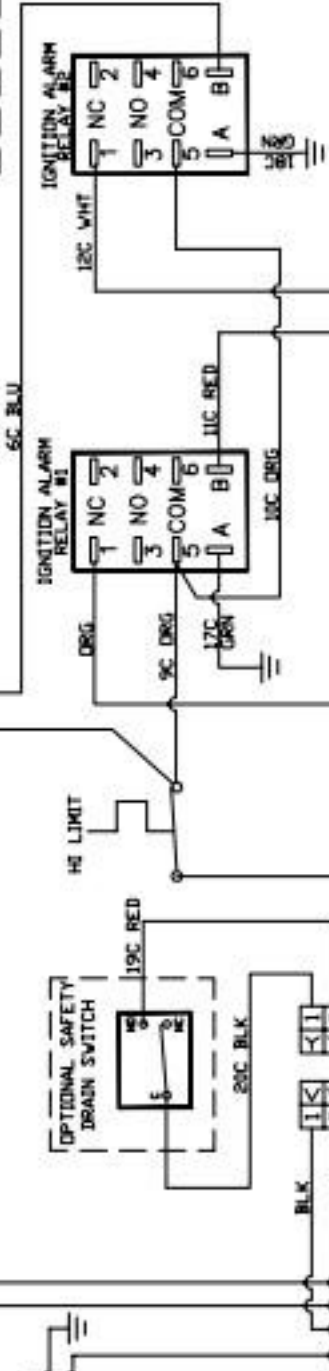
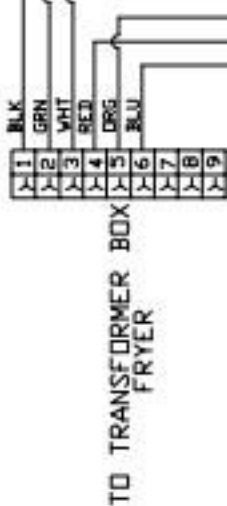
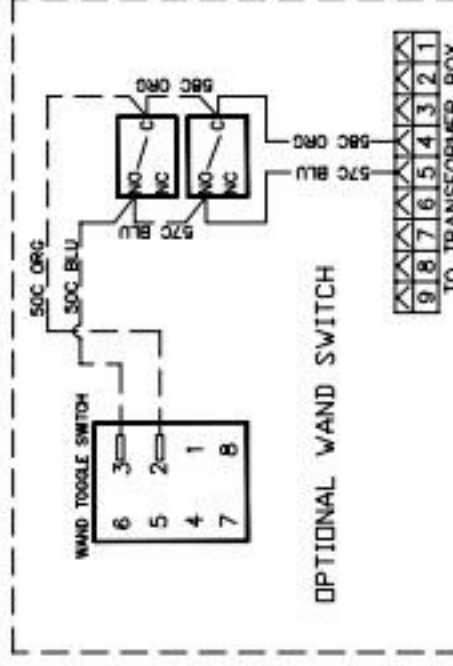
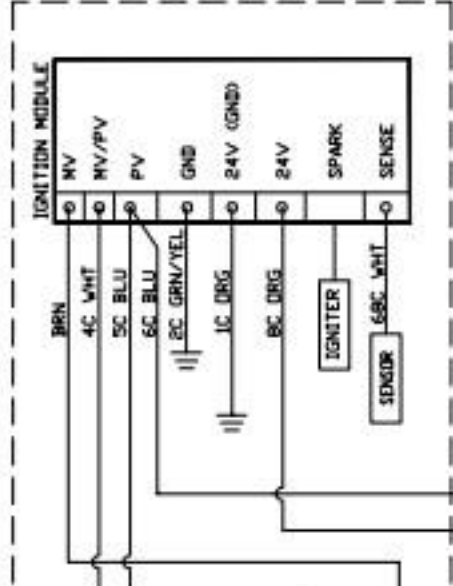
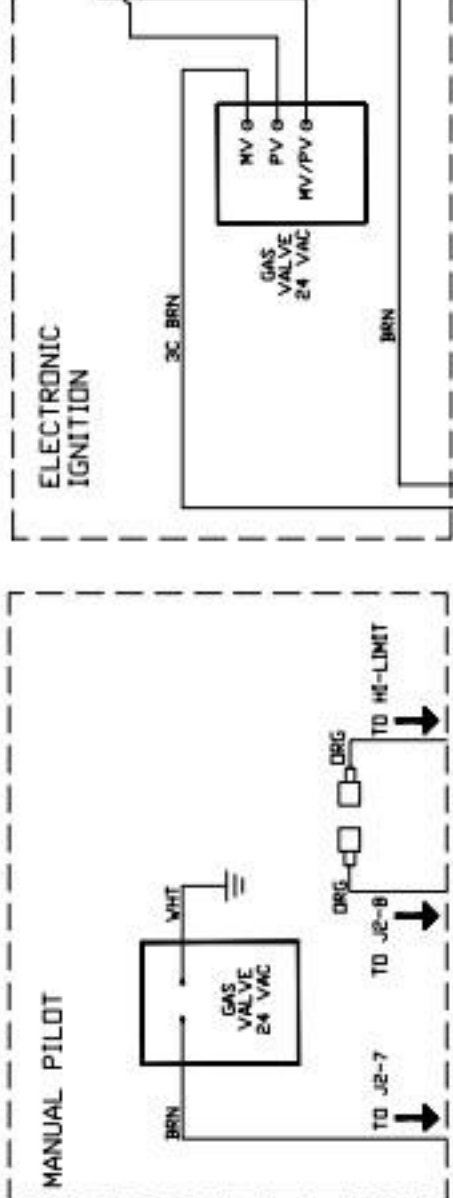
BACK VIEW OF
120V RECEPTACLE
IN BACK OF RAM AREA



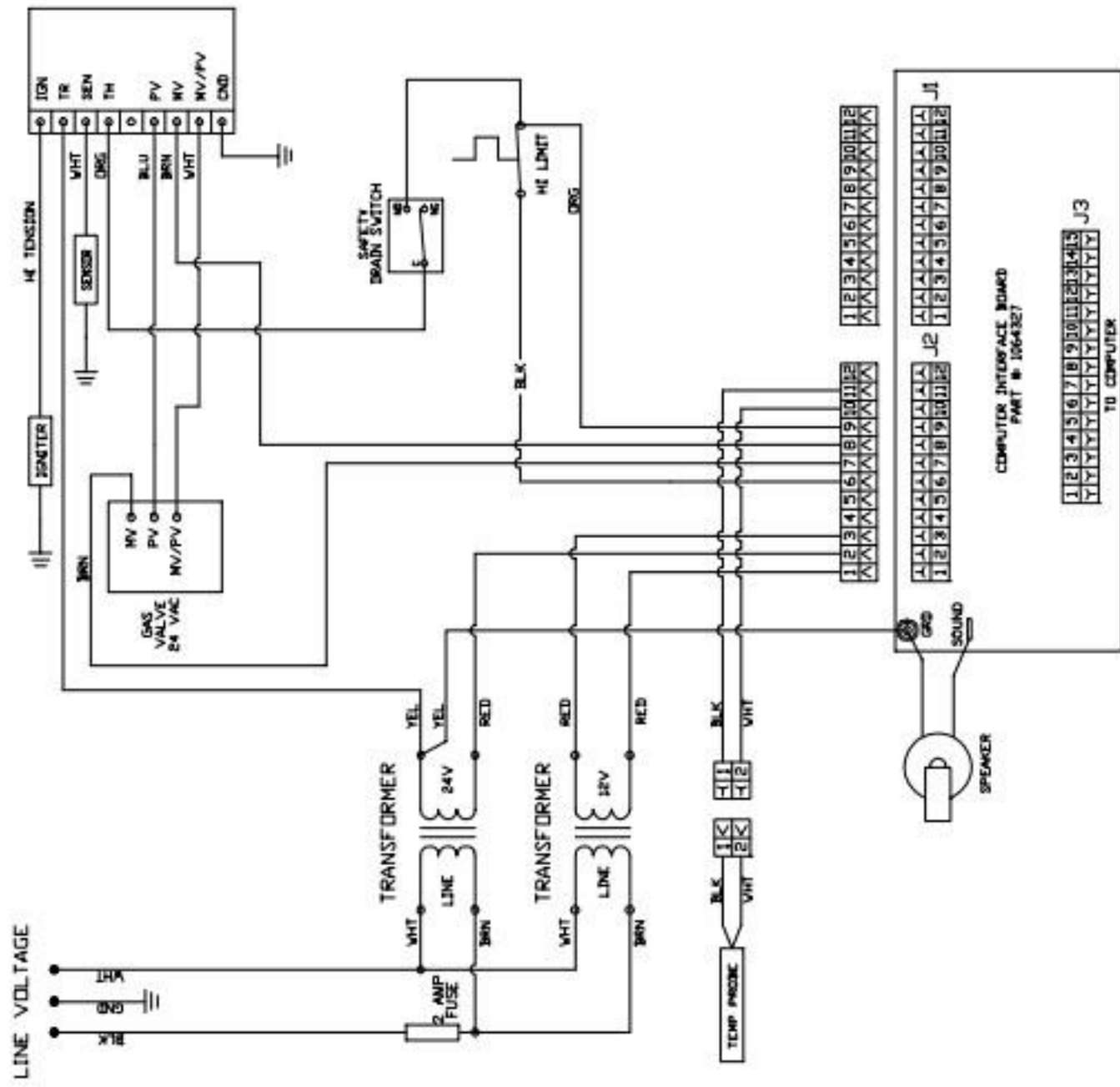
8051827B



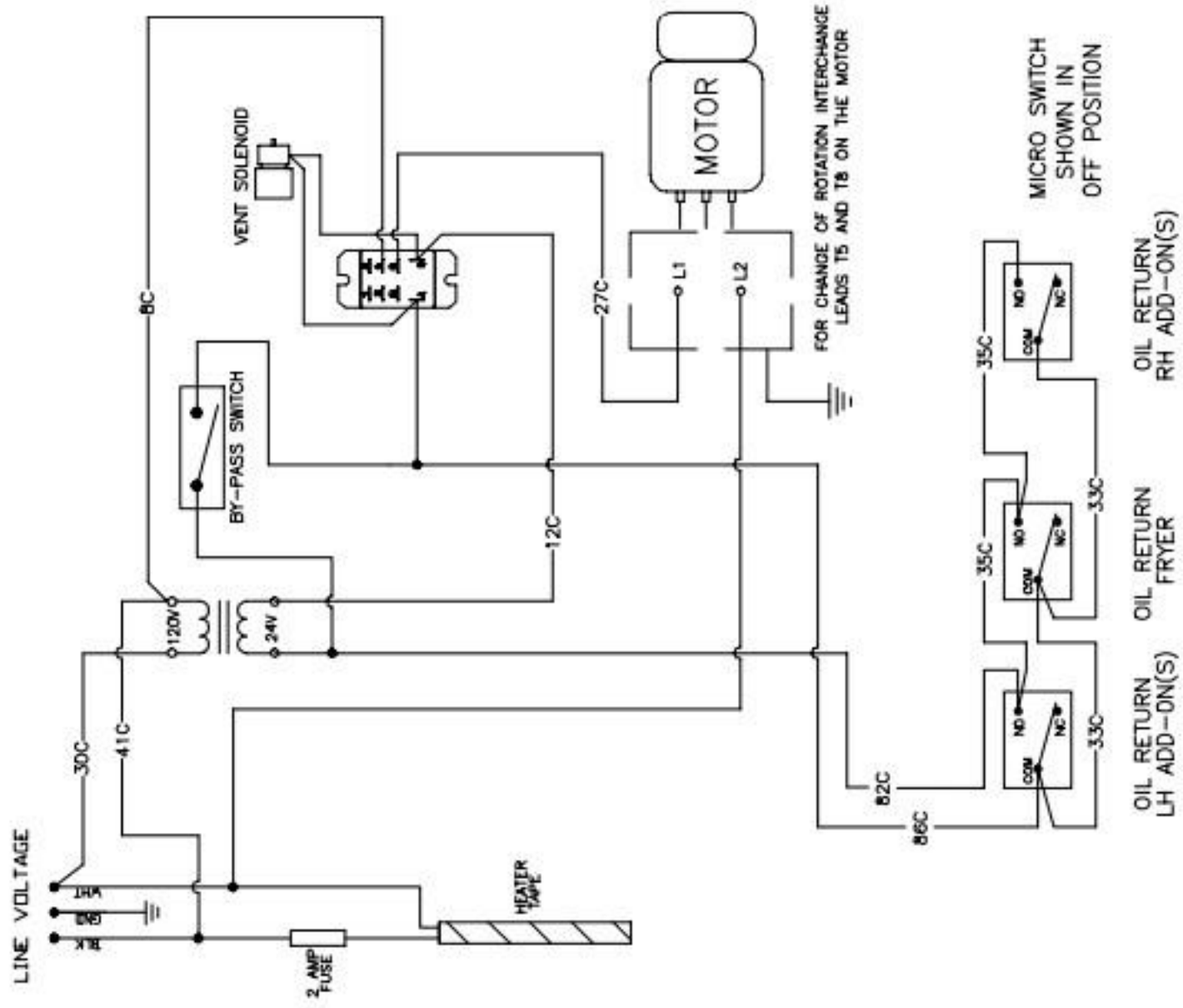
8051828B



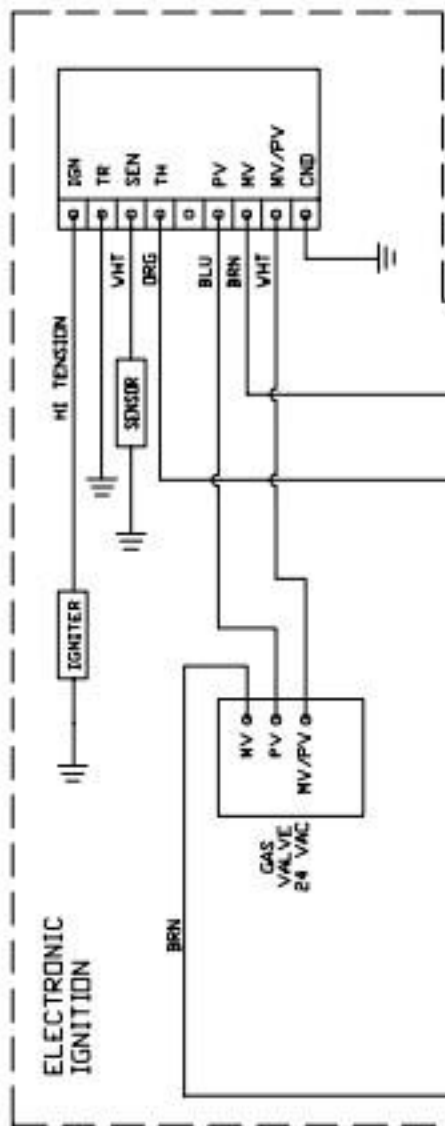
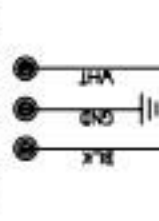
CONTROL CIRCUITS



FILTER CIRCUITS

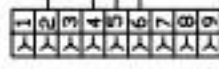
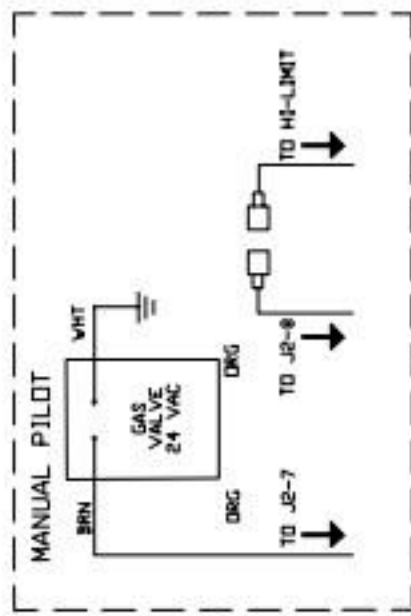


LINE VOLTAGE

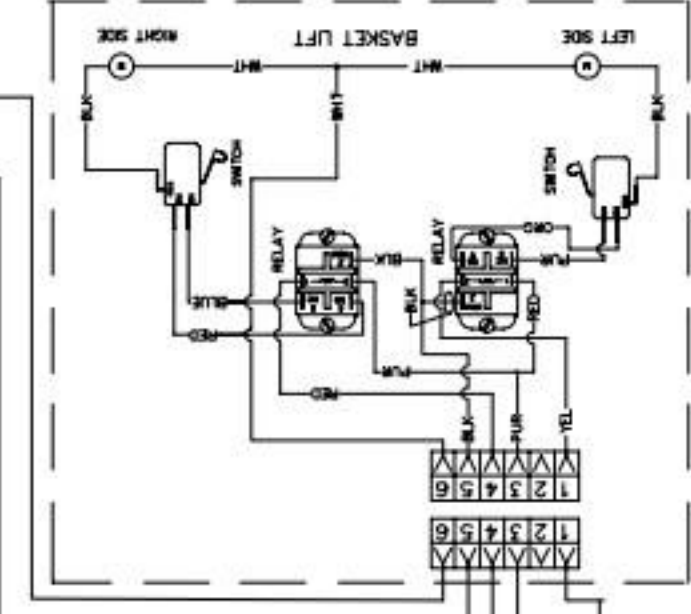


ELECTRONIC IGNITION

MANUAL PILOT



TO TRANSFORMER BOX



TEMP PROBE



COMPUTER INTERFACE BOARD



COMPUTER

805-1545 B