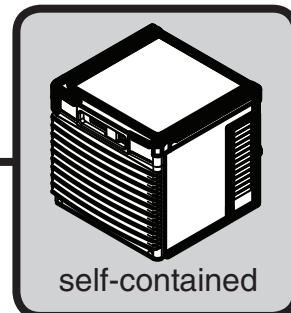


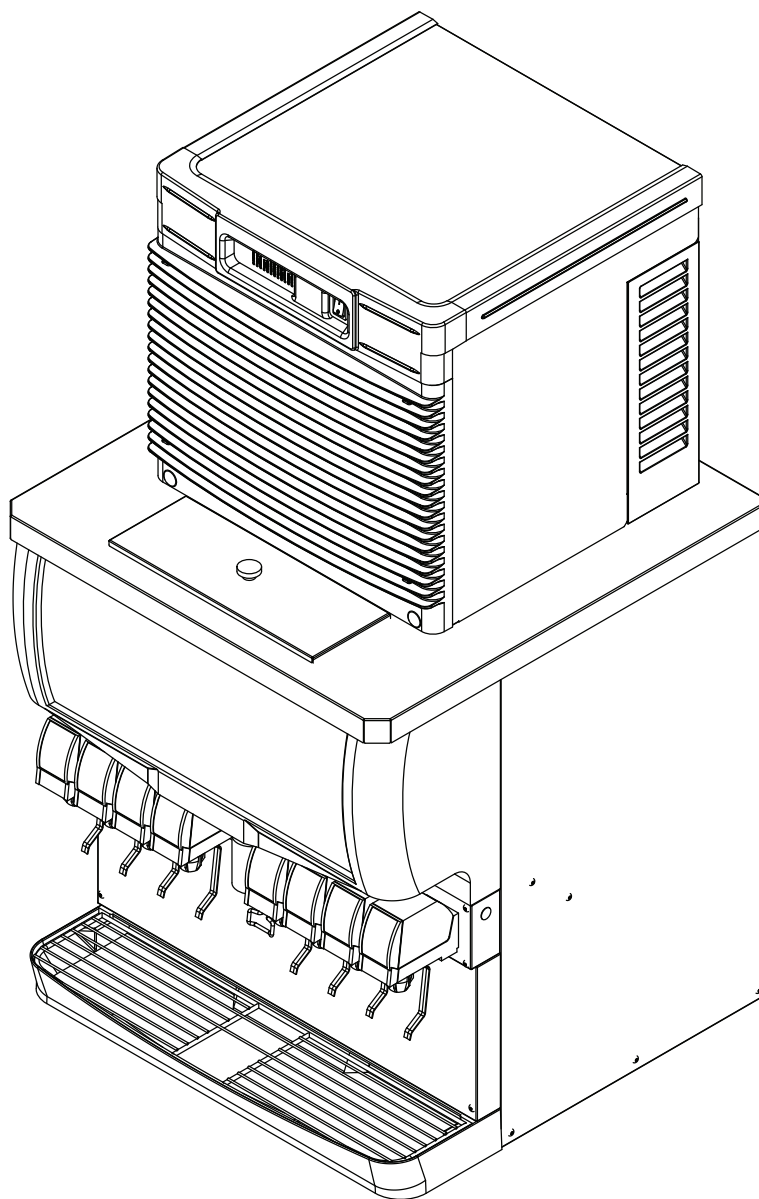
Maestro Plus™ Ice Machine Installation Instructions for Harmony™ Top-mount Applications

MCD425A/W HT, MCE425A HT, MCC425A HT
(See model number configurator on page 2 for details.)

Order parts online
www.follettice.com



**Maestro Plus top-mount ice machines
fit most countertop dispensers manufactured by
Cornelius • Lancer • SerVend**



Maestro Plus Chewblet Ice Machine Model Number Configurations

<div style="display: flex; justify-content: center; gap: 20px;"> MC C 425 A V S </div>					
Machine	Voltage	Series	Condenser	Application	Configuration
MC Chewblet (425 Series)	C 220/60/1	425 up to 425 lbs (193 kg)	A Air-cooled, self-contained W Water-cooled, self-contained	B Ice storage bin H Harmony™ V Vision™	S RIDE® (remote ice delivery equipment) T Top-mount
MF Maestro Flake	D 115/60/1				
P Replacement	E 230/50/1				
R Symphony Plus RIDE Ice Machine					

CAUTION!

- This appliance should be connected by a qualified person in accordance with application codes.
- If the supply cord is damaged, it must be replaced by the manufacturer, its service agent or similarly qualified persons in order to avoid a hazard.
- Connect to potable water supply only.
- This appliance can be used by children aged 8 years and above and persons with reduced physical, sensory, or mental capabilities, or lack of experience and knowledge if they have been given supervision or instruction concerning use of the appliance in a safe way and understand the hazards involved. Children should be supervised to ensure that they do not play with the appliance.
- This appliance is intended to be used for household and similar applications such as staff kitchen areas in shops, offices and other working environments; farm houses and by clients in hotels, motels and other residential type environments; bed and breakfast type environments; catering and similar non-retail applications.
- WARNING!** To avoid a hazard due to instability of the appliance, it must be fixed in accordance with the instructions.

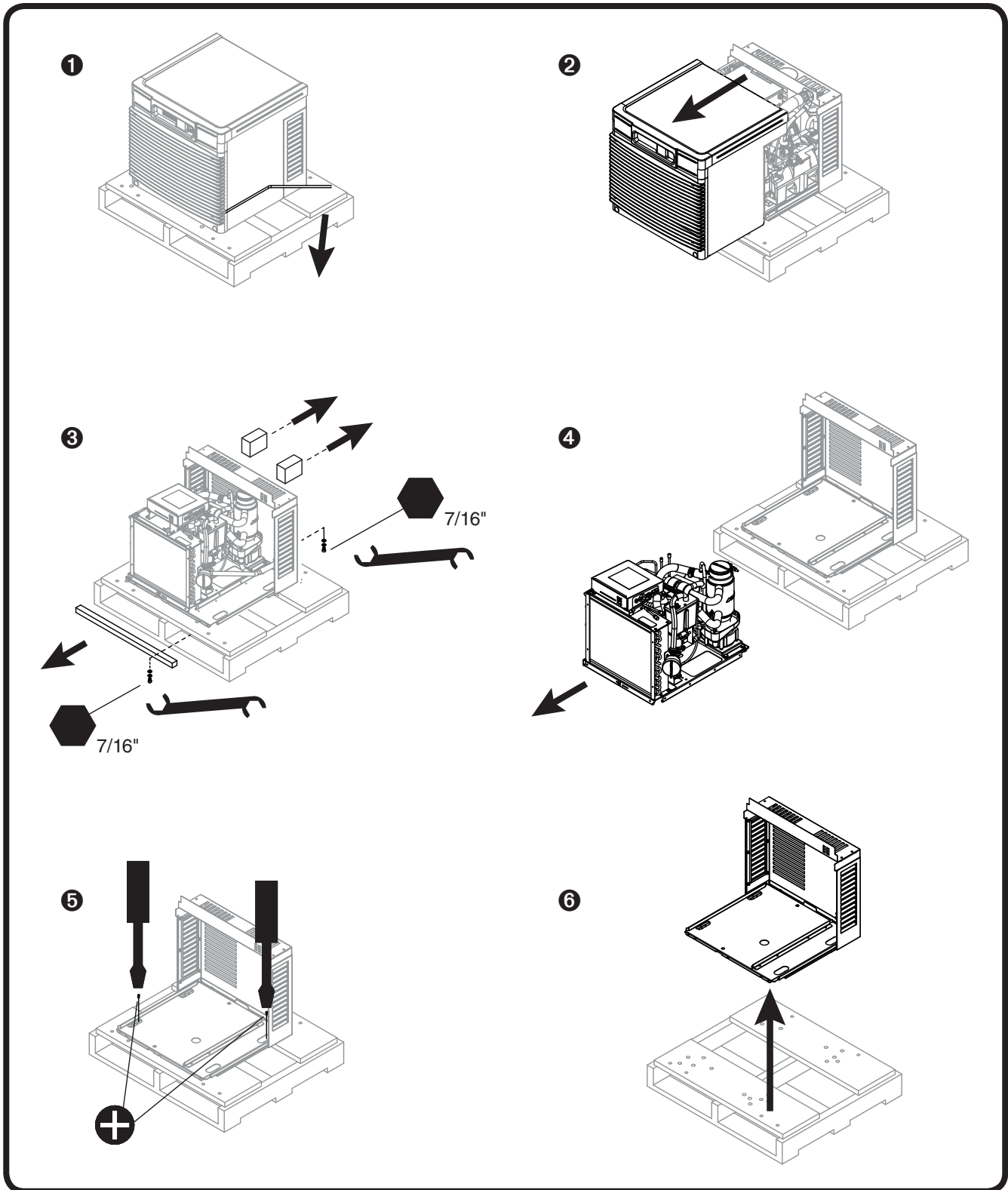
Contents

Unpack	4
Unpack Ice Machine	4
Site Preparation	5
Installation site requirements	5
Dispenser Top Preparation	6
Top Preparation - CORNELIUS	6
Top Preparation - LANCER	6
Install grommet	6
Louvered Docking Assembly Installation	7
External Connections	8
Air-cooled ice machines only	8
Water-cooled ice machines only	8
Icemaker Installation	9
Slide in icemaker	9
Route transport tube and thermostat	9
Internal Connections	9
Dispenser Agitation Adjustment	11
Agitation adjustments - CORNELIUS	11
Agitation adjustments – LANCER 4500 SERIES	11
Agitation adjustments – LANCER FS SERIES	12
Agitation adjustments – SERVEND	12
Dispenser diverter plate overview – CORNELIUS, ED, DF AND DB SERIES (installation on next page)	13
Dispenser diverter plate installation – CORNELIUS, ED, DF AND DB SERIES	14
Front Cover and Start Up	15
Install cover	15
Start Up	15

1. Unpack

Carefully unpack and inspect the contents of your Follett ice machine.

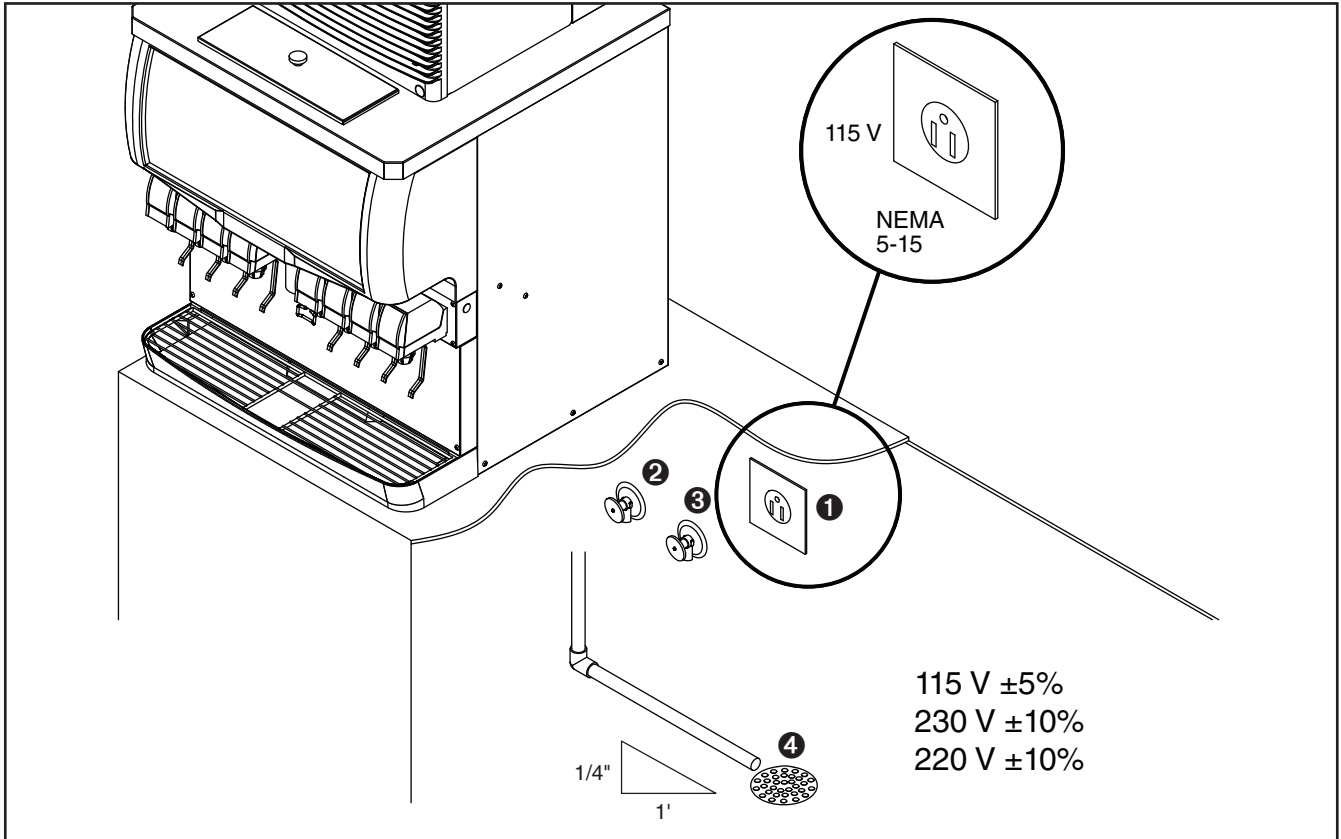
1.1 Unpack Ice Machine



2. Site Preparation

Provide drainage, potable water supply and electrical power to within 6 feet (2m) of ice machine in accordance with local and national codes. Outdoor installation is not recommended and will void warranty.

2.1 Installation site requirements



Electrical ①

WARNING!

- This appliance should be connected by a qualified person in accordance with application codes.
- If the supply cord is damaged, it must be replaced by the manufacturer, its service agent or similarly qualified persons in order to avoid a hazard.

MCD425(A/W)HT 115/60/1 (115 V ±10%) 15A breaker
(MCD requires a 15A dedicated circuit)

MCE425(A/W)HT (230/50/1 - 5.5A (full load)
(MCE425A requires a dedicated circuit, 1.50 mm² wire)
MCC425(A)HT (220/60/1 - 5.5A (full load)
(MCC425A requires a dedicated circuit)

Potable Water Supply ②

10 psi to 70 psi (69 kpa to 483 kpa)

45 F to 90 F (7 C to 32 C)

Condenser water supply for water-cooled systems ③

10 psi min.; 125 psi max. (69 kpa min.; 862 kpa max.)

20 F to 90 F (-7 C to 32 C)

0.5 gallons (1.9 liters) per minute

Drain ④

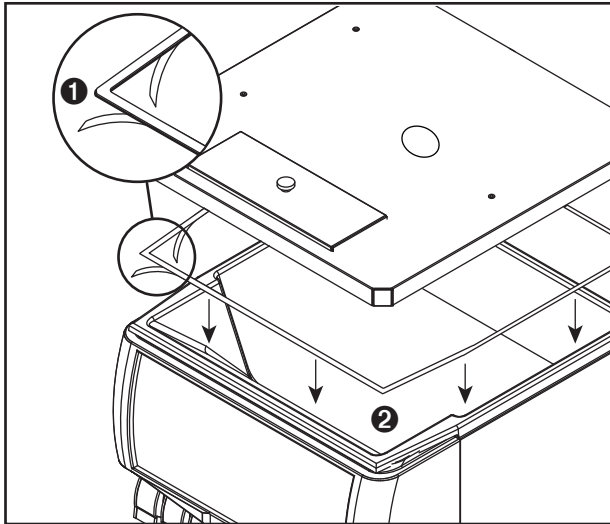
The drain line from the ice machine must have at least 1/4 in. per foot (6,4 mm/0,3 m) pitch

3. Dispenser Top Preparation

Prepare the dispenser.

Note: The instructions below only apply to 22" & 30" wide dispensers. 44" wide dispenser instructions may be found with the top kit.

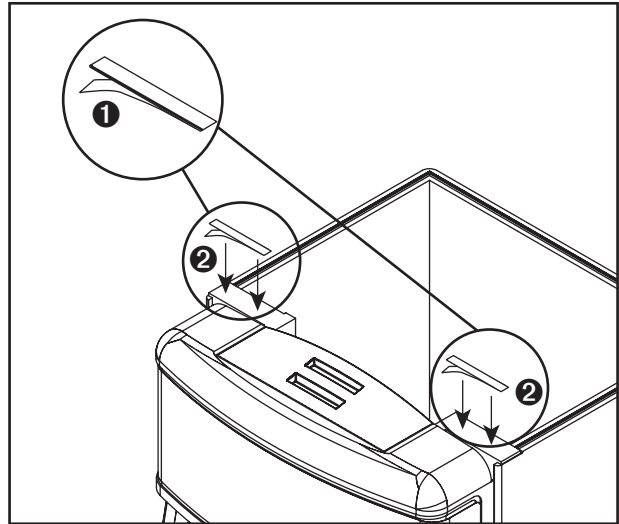
3.1 Top Preparation - CORNELIUS



All models

- Remove protective tape from gaskets ①.
- Apply gasket ②.

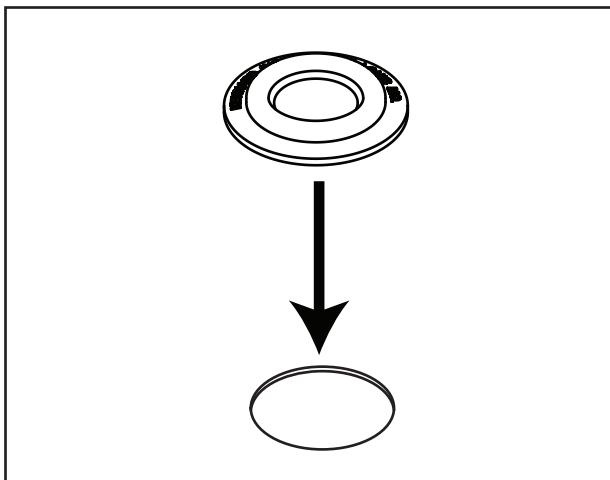
3.2 Top Preparation - LANCER



Lancer models only

- Remove protective tape from gaskets ①.
- Apply gasket ②.

3.3 Install grommet

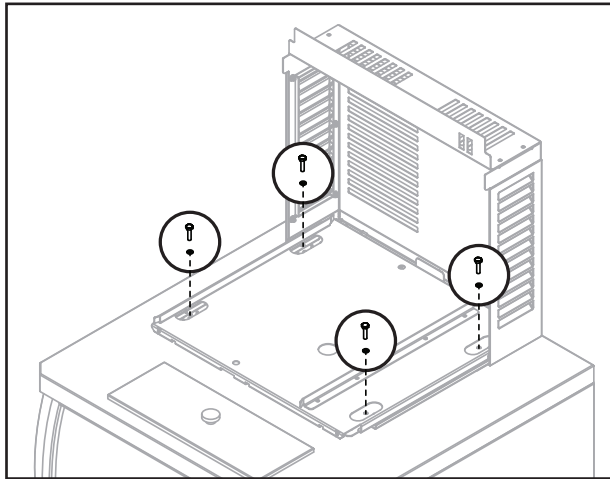


- Insert grommet into dispenser top.

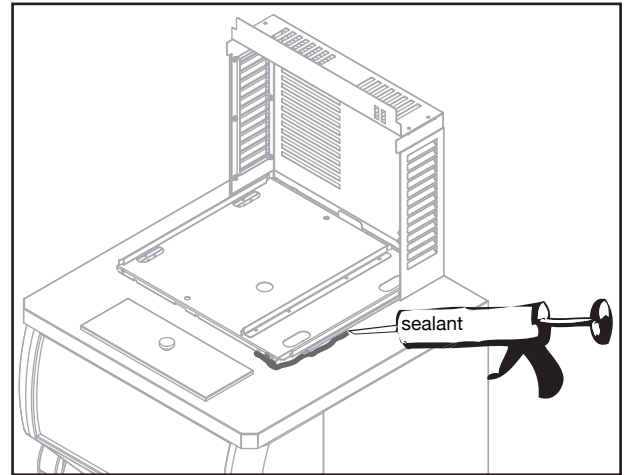
4. Louvered Docking Assembly Installation

WARNING!

- Docking station must be secured in accordance with these instructions to ensure ice machine stability.
- Ventilation openings in the louvered docking station should be clear of obstruction. Failure to do so could result in damage to equipment.
- Plug must be accessible after final installation.



- Mount louvered docking assembly using four screws provided.

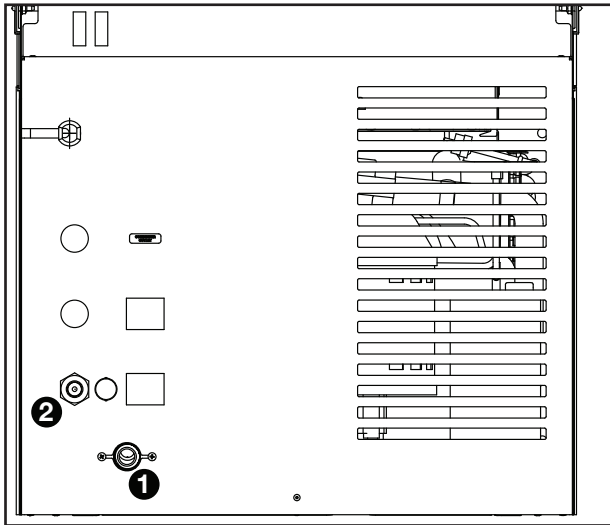


- Seal perimeter of docking station to mounting surface.

5. External Connections

Connect utilities to louvered docking assembly.

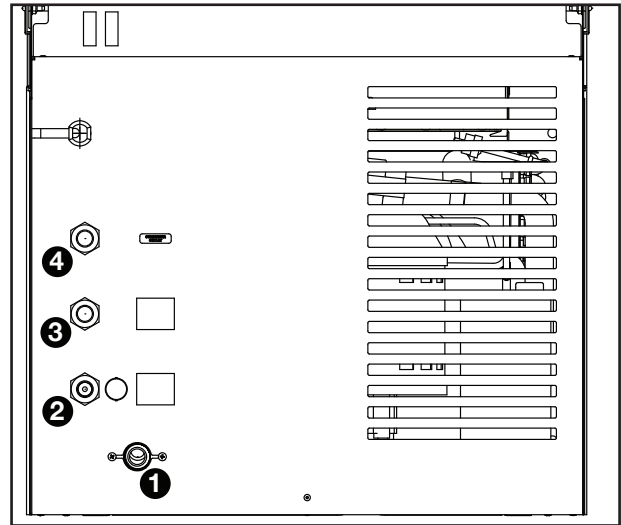
5.1 Air-cooled ice machines only



- Install drain line **1** (3/4" MPT).
The rigid drain line from the ice machine must have at least 1/4" per foot (6,4 mm/0,3 m) pitch.
- Install ice machine potable water supply **2** (3/8" FPT).

Note: Follett recommends a Follett water filter system be installed in the ice machine inlet water line (standard capacity #00130299, high capacity #00978957, carbonless high capacity #01050442).

5.2 Water-cooled ice machines only



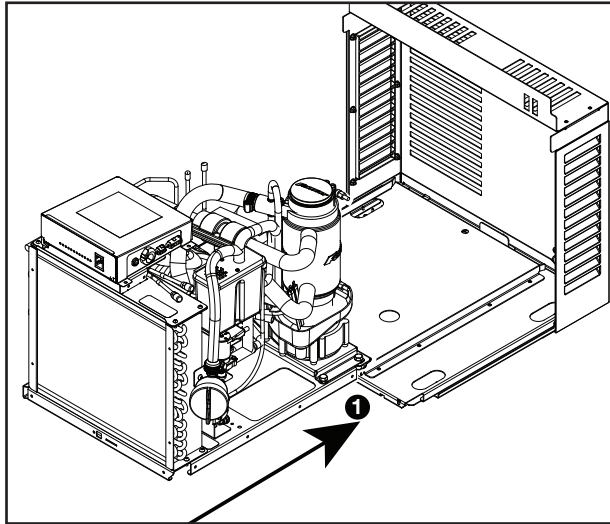
- Install drain line **1**.
The rigid drain line from the ice machine must have at least 1/4" per foot (6,4 mm/0,3 m) pitch.
- Install ice machine potable water supply **2** (3/8" FPT).

Note: Follett recommends a Follett water filter system be installed in the ice machine inlet water line (standard capacity #00130299, high capacity #00978957, carbonless high capacity #01050442).

- Connect cooling water supply **3** and return **4** (3/8" FPT).

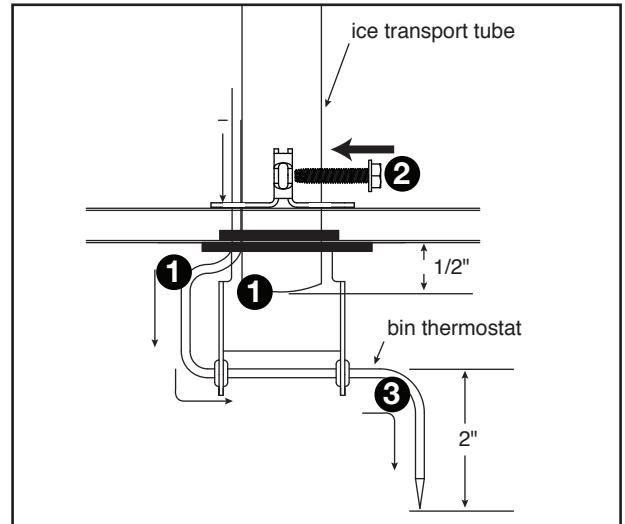
6. Icemaker Installation

6.1 Slide in icemaker



- Slide ice machine into louvered docking assembly **1**.

6.2 Route transport tube and thermostat



- Lubricate transport tube with water then route transport tube and thermostat through grommet and into dispenser **1**.

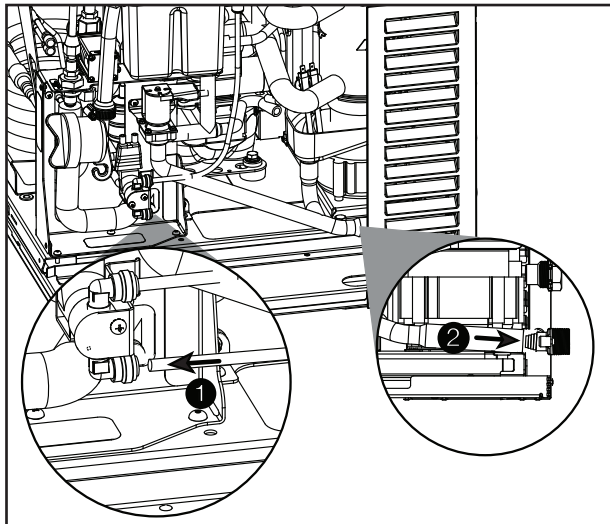
Note: Lubricating transport tube will allow entry into the grommet without the grommet being forced out of the hole/into dispenser.

- Tighten clamp to secure transport tube **2**.
- Route thermostat and secure in bracket **3**.

6.3 Internal Connections

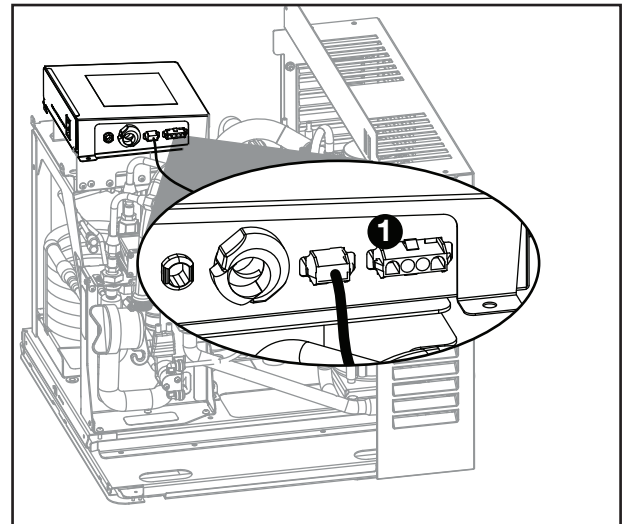
Air-cooled ice machines – follow steps 6.3.1 and 6.3.2.

6.3.1 Potable Water and Drain Line



- Insert potable water line into fill valve **1**.
- Connect drain line to barbed fitting on docking station **2**.

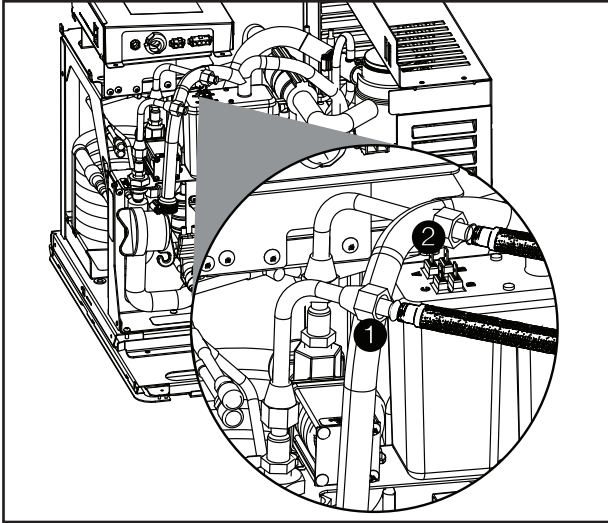
6.3.2 Power Cable



- Connect power cable to electrical box **1**.

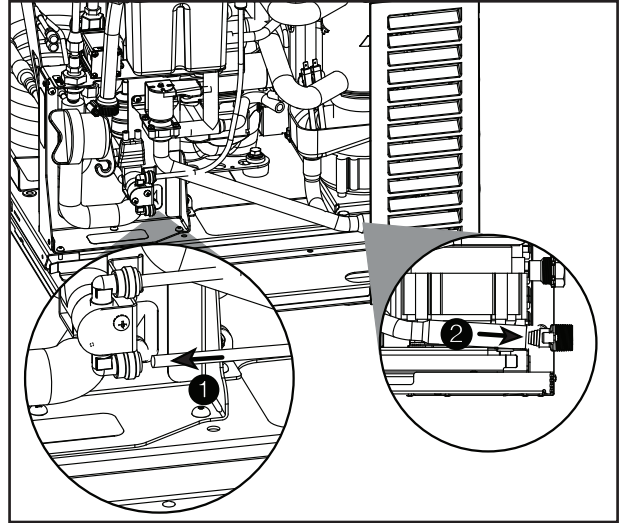
Water-cooled ice machines – follow steps 6.3.3 through 6.3.5.

6.3.3 Cooling Lines



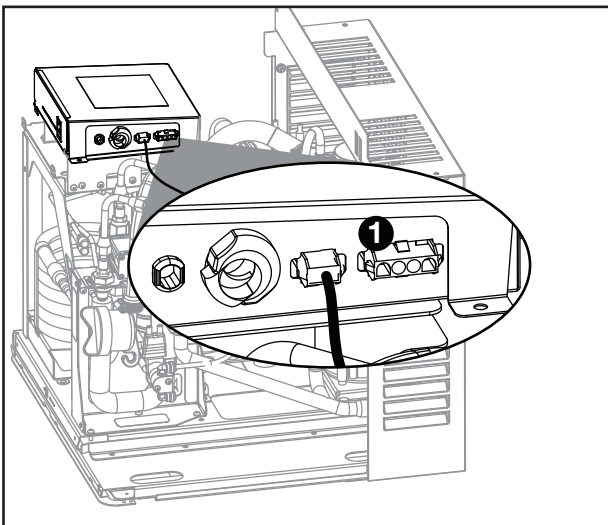
- Connect cooling water supply **1** and return **2** lines (supplied and connected to inside of docking station) to ice machine.

6.3.4 Potable Water and Drain Line



- Insert potable water line into valve **1**.
- Connect drain line to barbed fitting on docking station **2**.

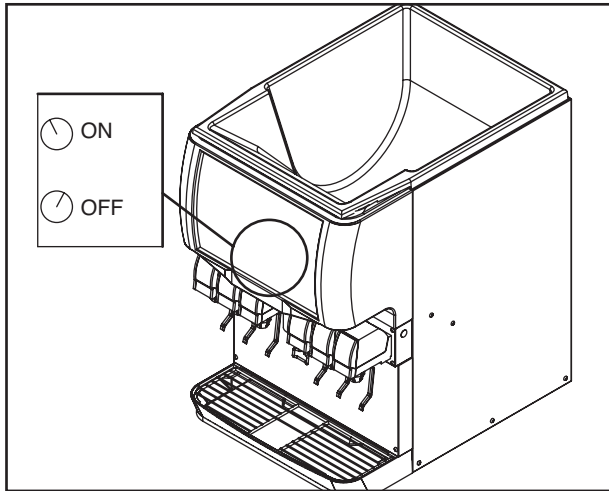
6.3.5 Power Cable



- Connect power cable to electrical box **1**.

7. Dispenser Agitation Adjustment

7.1 Agitation adjustments - CORNELIUS

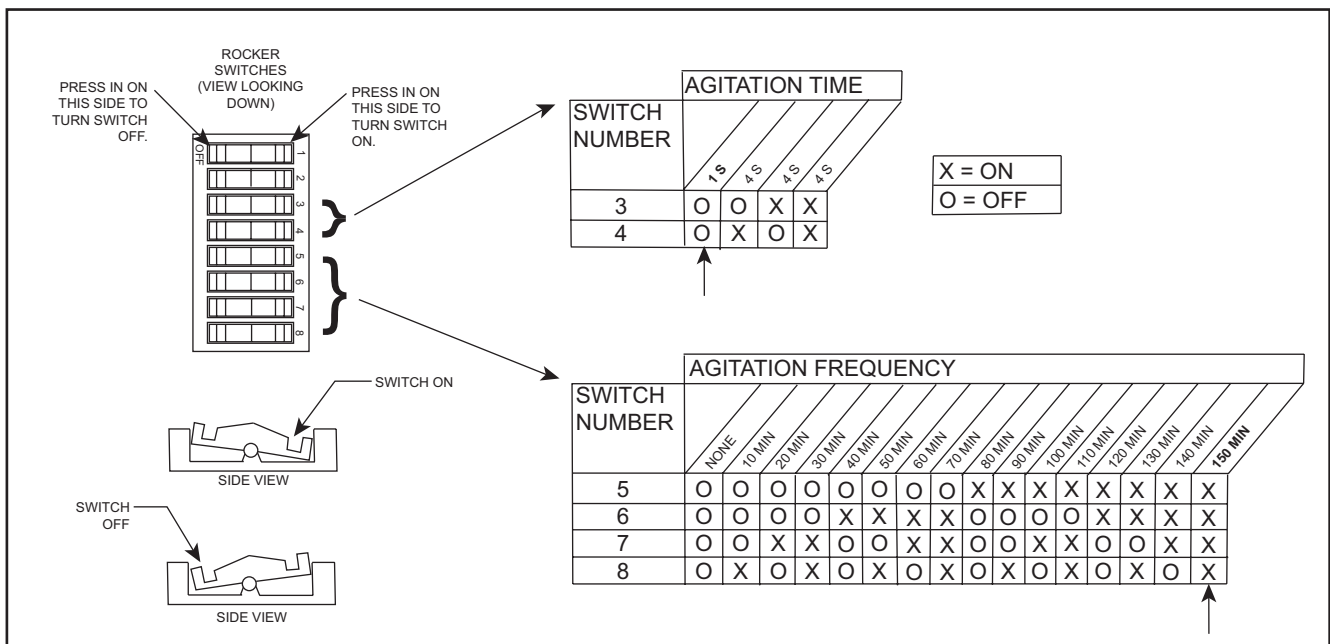


Cornelius models ED, DB, DF, IDC and Flavor Fusion

- Adjust the agitation tier located on the Cornelius PC board to 1 second on, 1 hour off.

Note: see Cornelius manual for more information.

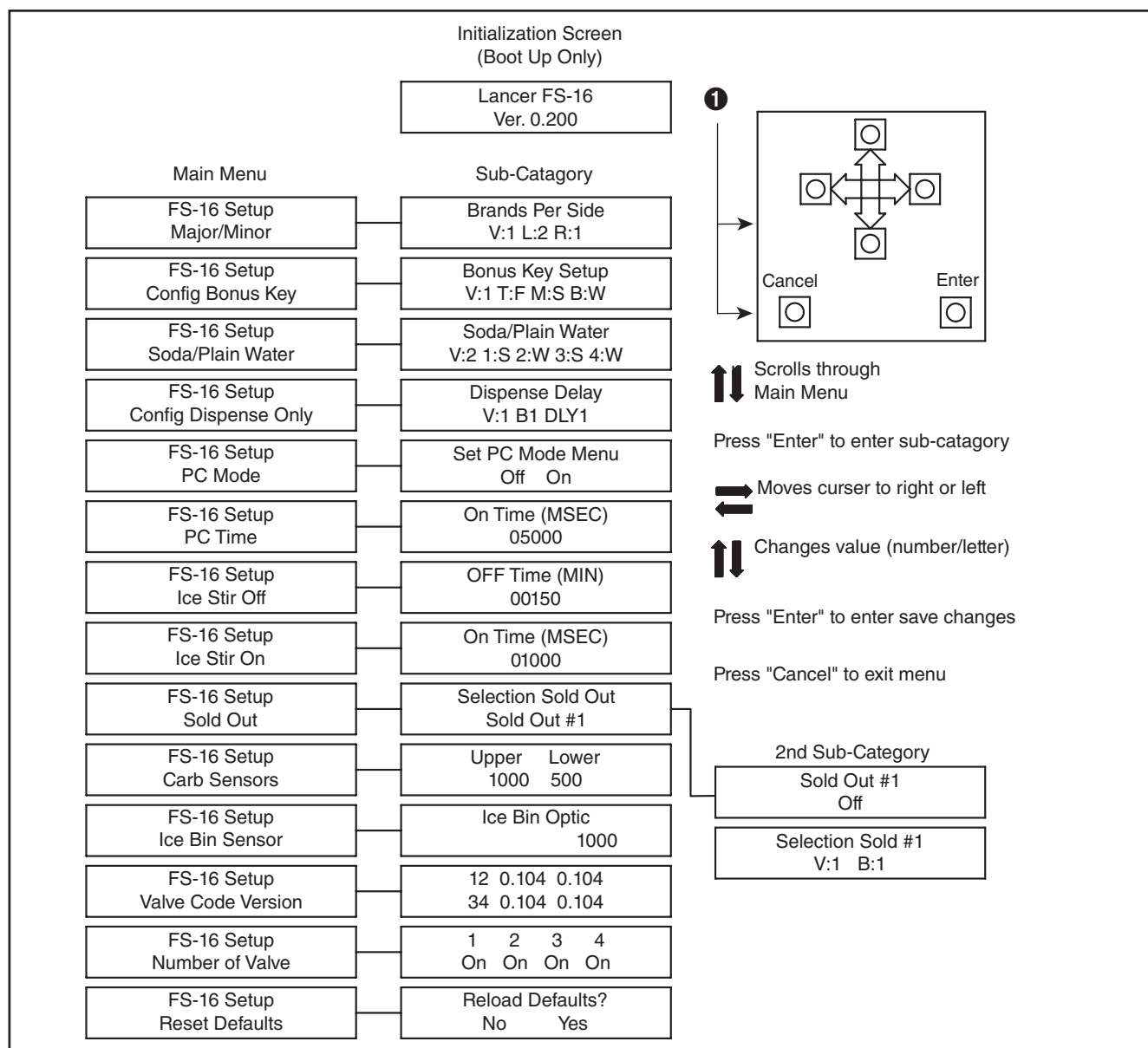
7.2 Agitation adjustments – LANCER 4500 SERIES



Lancer 4500 series only

Adjust the agitation time to 1 second, and the agitation frequency to 150 minutes. See Lancer manual for more information.

7.3 Agitation adjustments – LANCER FS SERIES



Lancer 4500 series only

- Hold down "cancel" and "left button" to get to hidden menu **1**.
- Type in code 6655.
- Type in 150 minutes of off time and 1000 milliseconds (1 second of time) as the preferred setting.

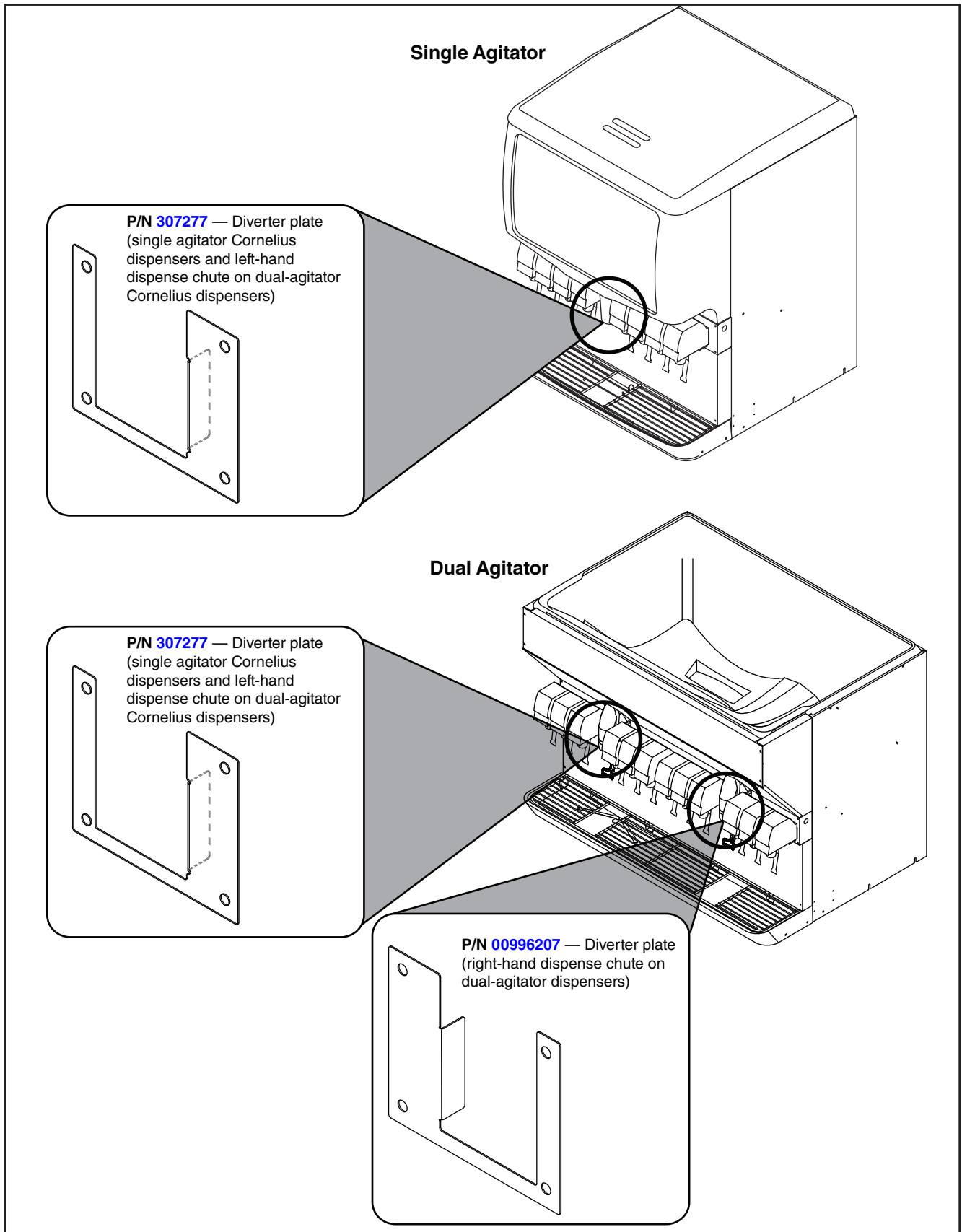
Note: see Lancer manual for more information.

7.4 Agitation adjustments – SERVEND

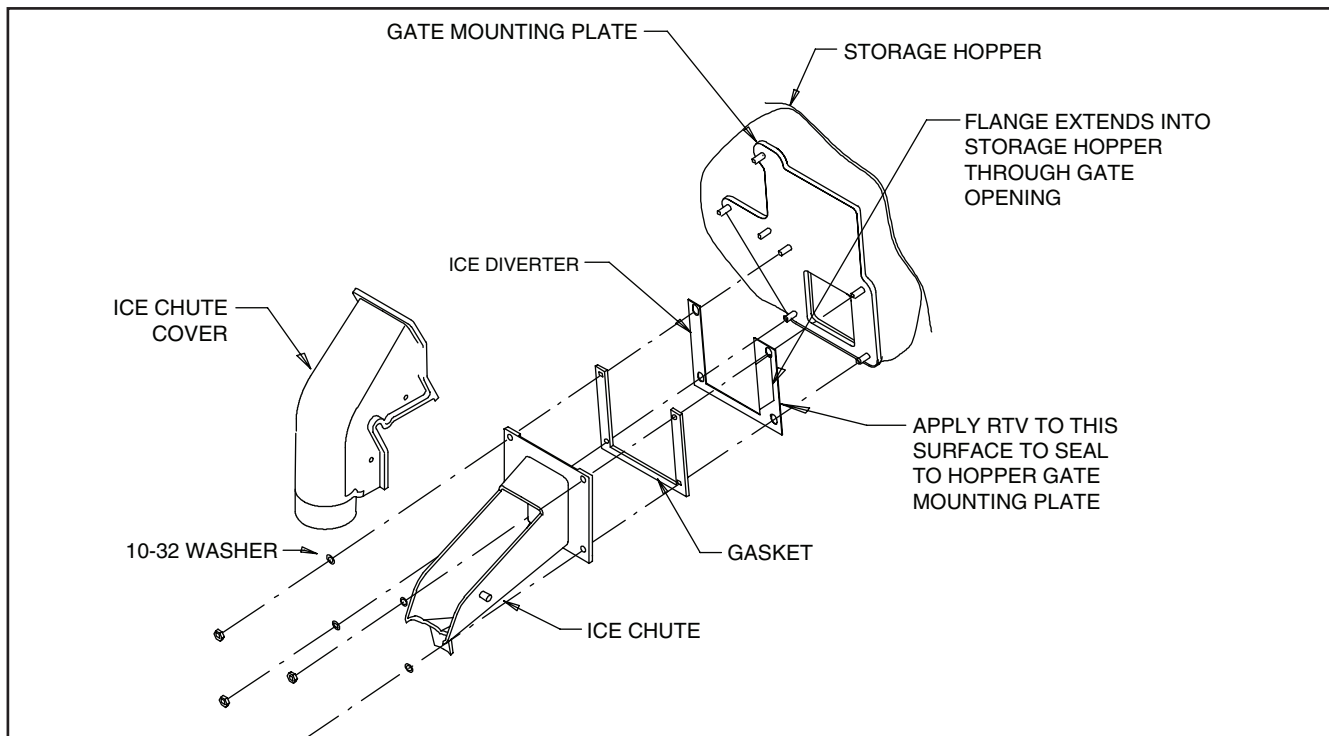
Lancer 4500 series only

No agitation adjustment required.

7.5 Dispenser diverter plate overview – CORNELIUS, ED, DF AND DB SERIES (installation on next page)



7.6 Dispenser diverter plate installation – CORNELIUS, ED, DF AND DB SERIES



CORNELIUS ED, DF AND DB series only

These dispensers require the installation of an ice diverter at the dispenser opening:

- Disassemble chute assembly
- Discard factory restrictor plate
- Replace with alternate diverter plate (supplied)

Cornelius IDC and Flavor Fusion

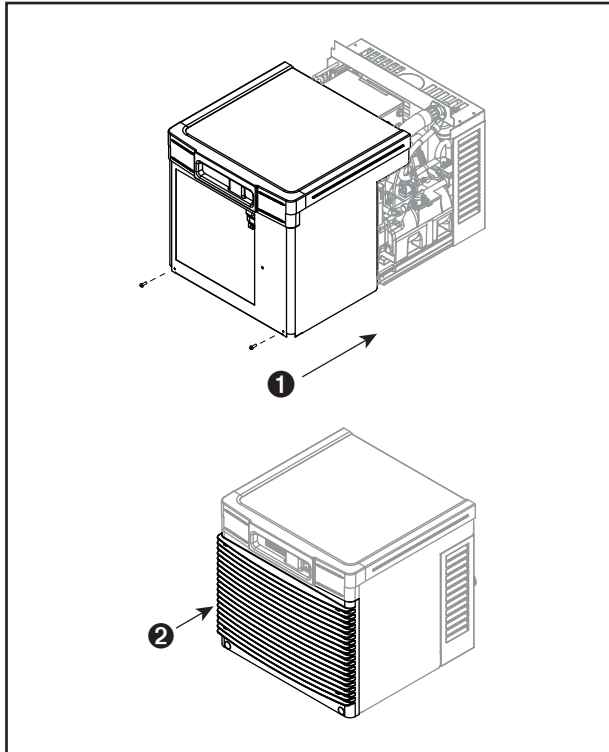
These dispensers require modifications for compatibility with Chewblet ice. Agitation times must be set to 1 second ON, 1 hour OFF and the ice restrictor plate must be adjusted to the fully open position. See your beverage supplier for these modifications.

Note: IDC and Flavor Fusion must be nugget-ready. Please contact beverage supplier for installation of ice slide.

8. Front Cover and Start Up

Install front cover to ice machine.

8.1 Install cover



- Slide ice machine cover over machine, ensuring that tabs on back of cover slip under louvers on back of louvered docking assembly ①, then tighten two screws through cover.
- Place louvered front cover on machine ②.

8.2 Start Up

Before turning on power

1. Turn on water to ice machine.
2. Check that hose clamp securely holds ice transport tube on nozzle.

After turning on power

1. Turn on power to ice machine and confirm that gearmotor, fan motor and compressor start immediately.
2. Check that ice begins to enter dispenser bin area within approximately 10 minutes.
3. Put ice against bin level thermostat in dispenser and check that compressor and gear motor shut down after thermostat opens. Fan motor should run for an additional 10 minutes.
4. Check that ice machine comes back on in approximately 20 minutes (bin signal must be present).
5. Sanitize the ice machine.
6. Sanitize the dispenser.

NOTICE!

- Ice machine **MUST** be sanitized prior to operation!
- Consult Operation and Service Manual provided with ice machine for sanitizing instructions.

Maestro Plus and Harmony are trademarks of Follett LLC.

Follett, Chewblet and RIDE are registered trademarks of Follett LLC, registered in the US.

FOLLETT[®] 801 Church Lane • Easton, PA 18040, USA
Innovative solutions, inspired by ice Toll free (877) 612-5086 • +1 (610) 252-7301
www.follettice.com



01033703R02
© Follett LLC 3/17