

## Component Details

Compressor amperage

RLA - 7.6A, LRA - 44.5A

Compressor winding resistances

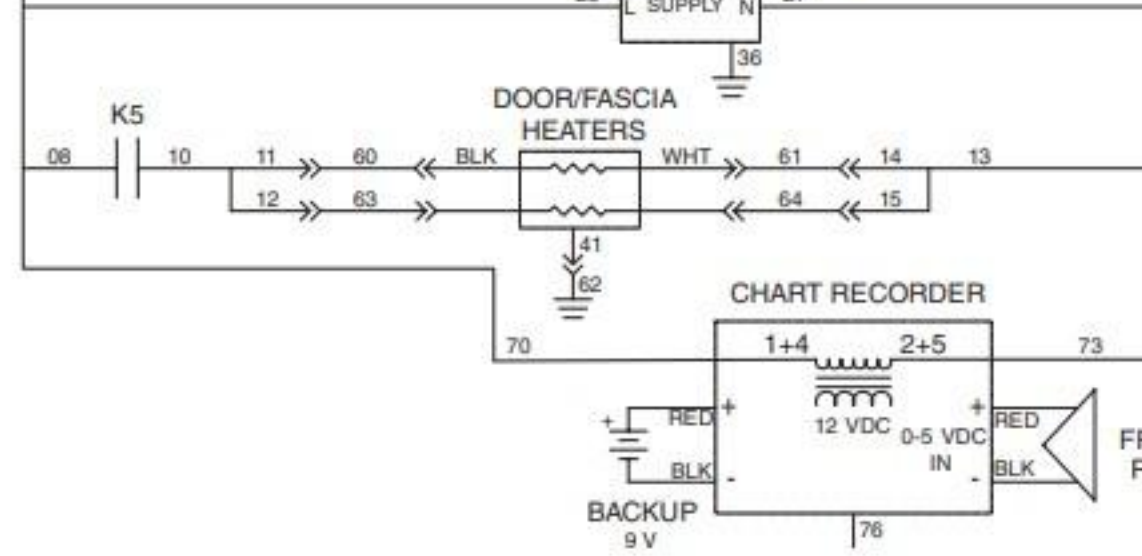
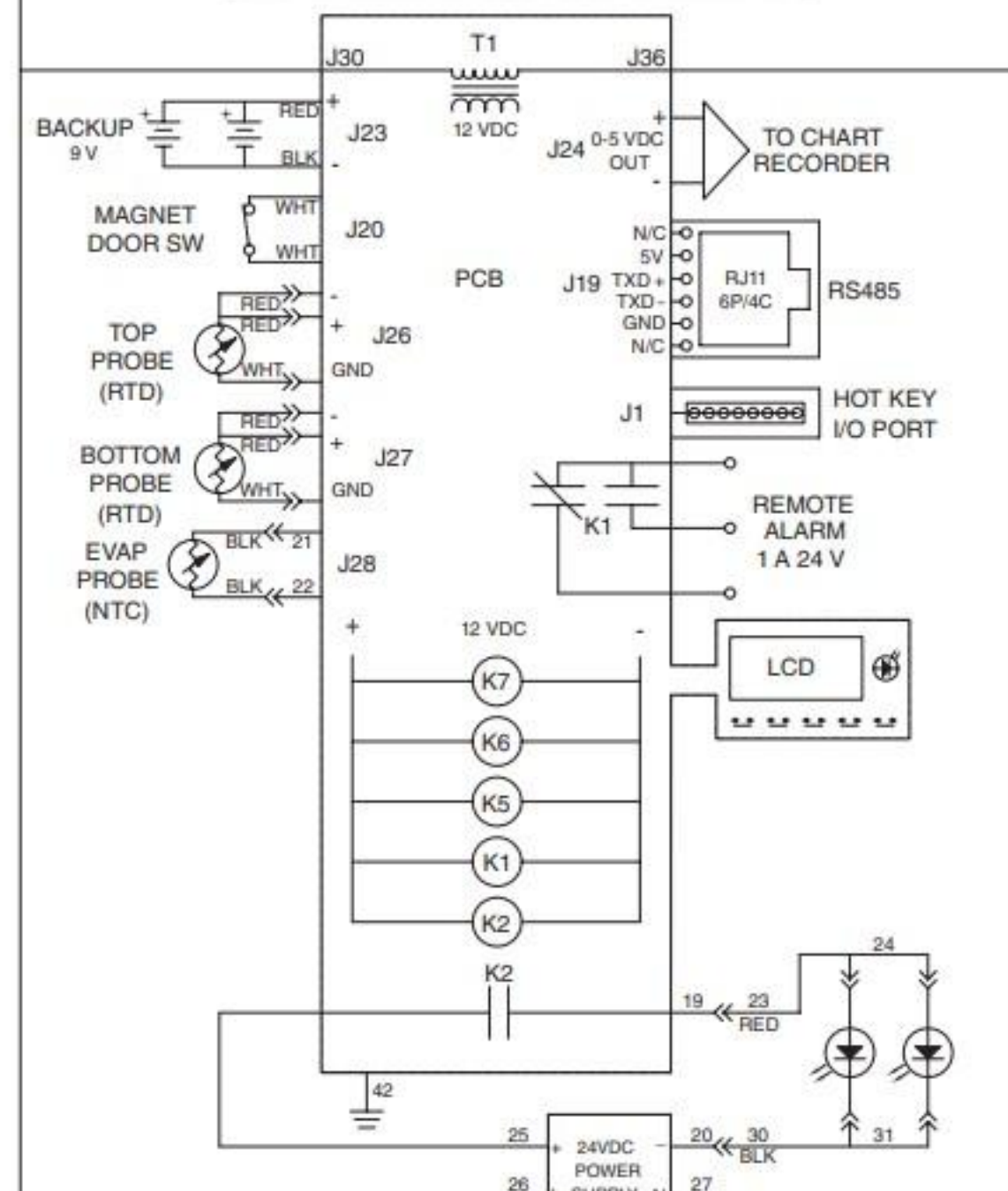
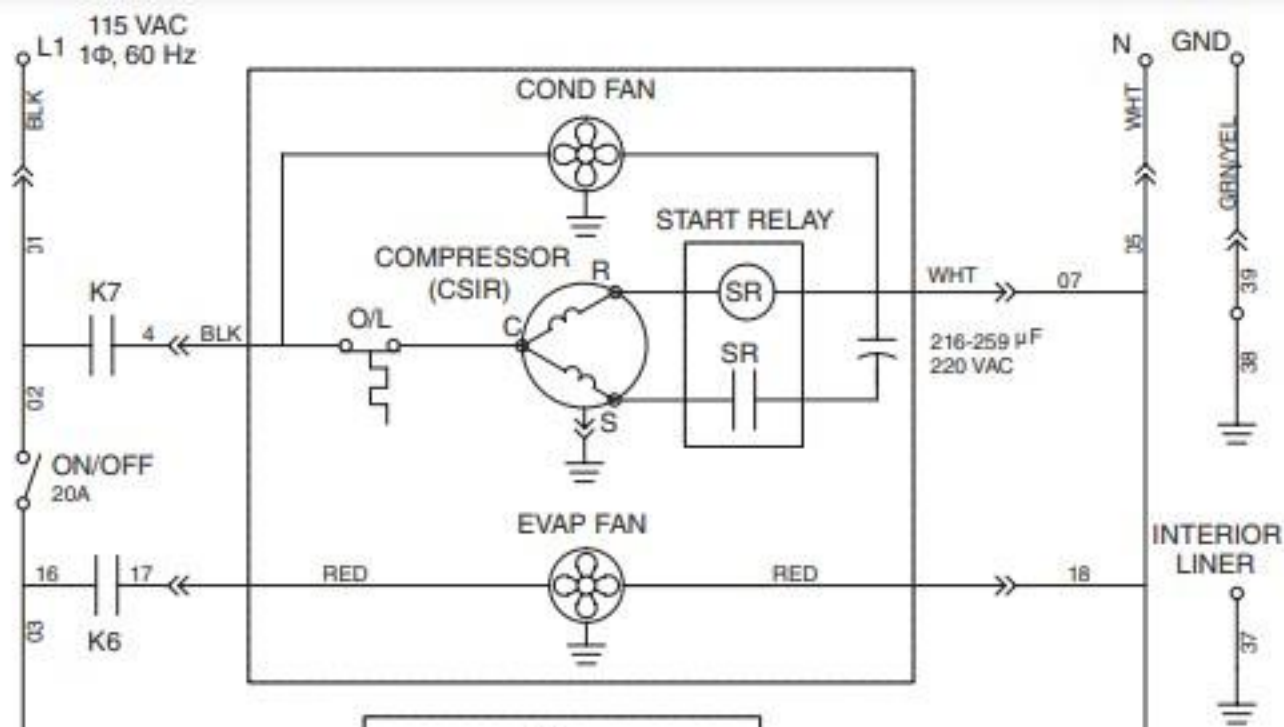
C-S ( $5.2\Omega - 5.9\Omega$ ), C-R ( $1.2\Omega - 1.3\Omega$ )

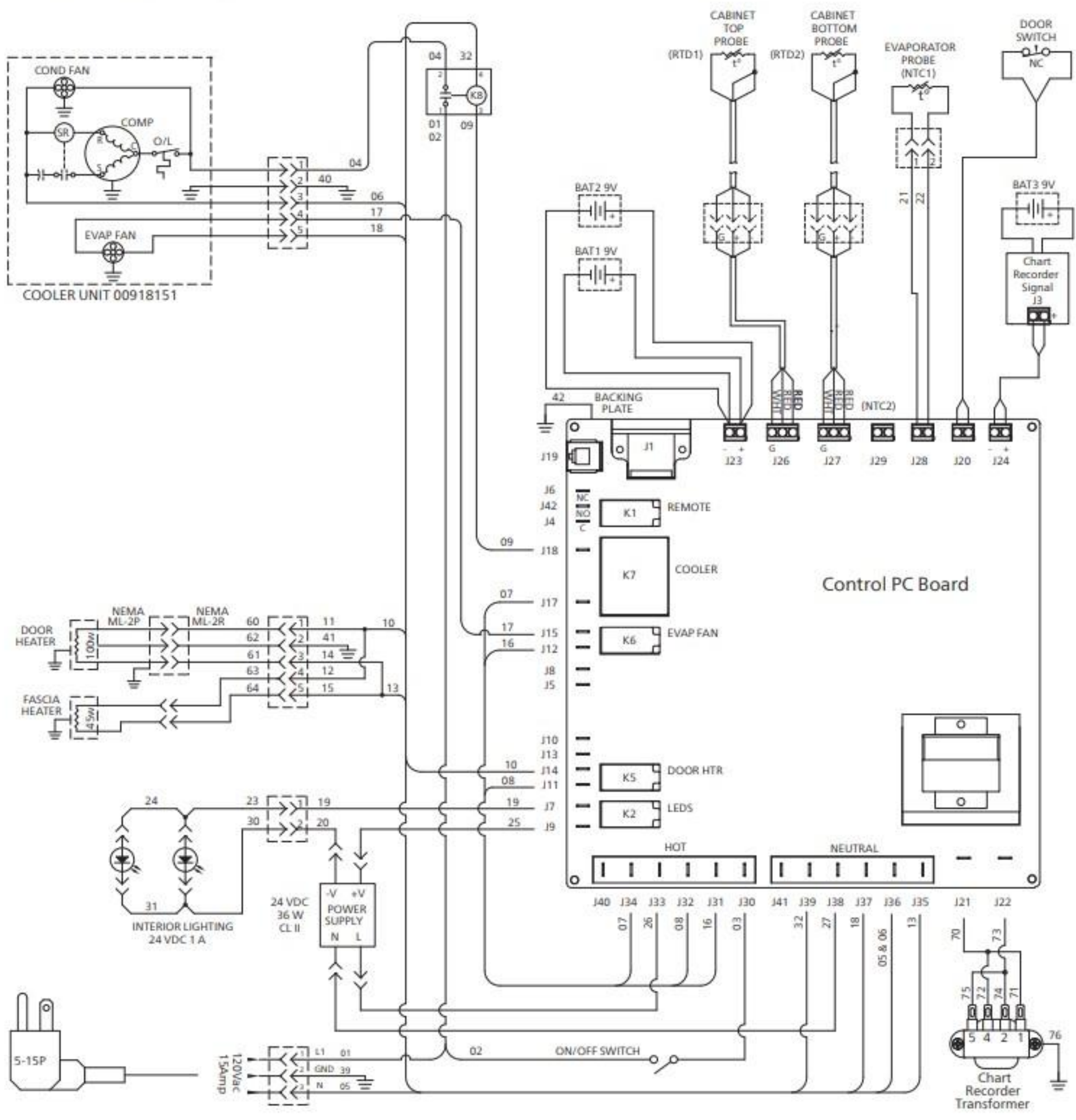
Evaporator fan motor amperage

FLA - 0.22A

Condenser fan motor amperage

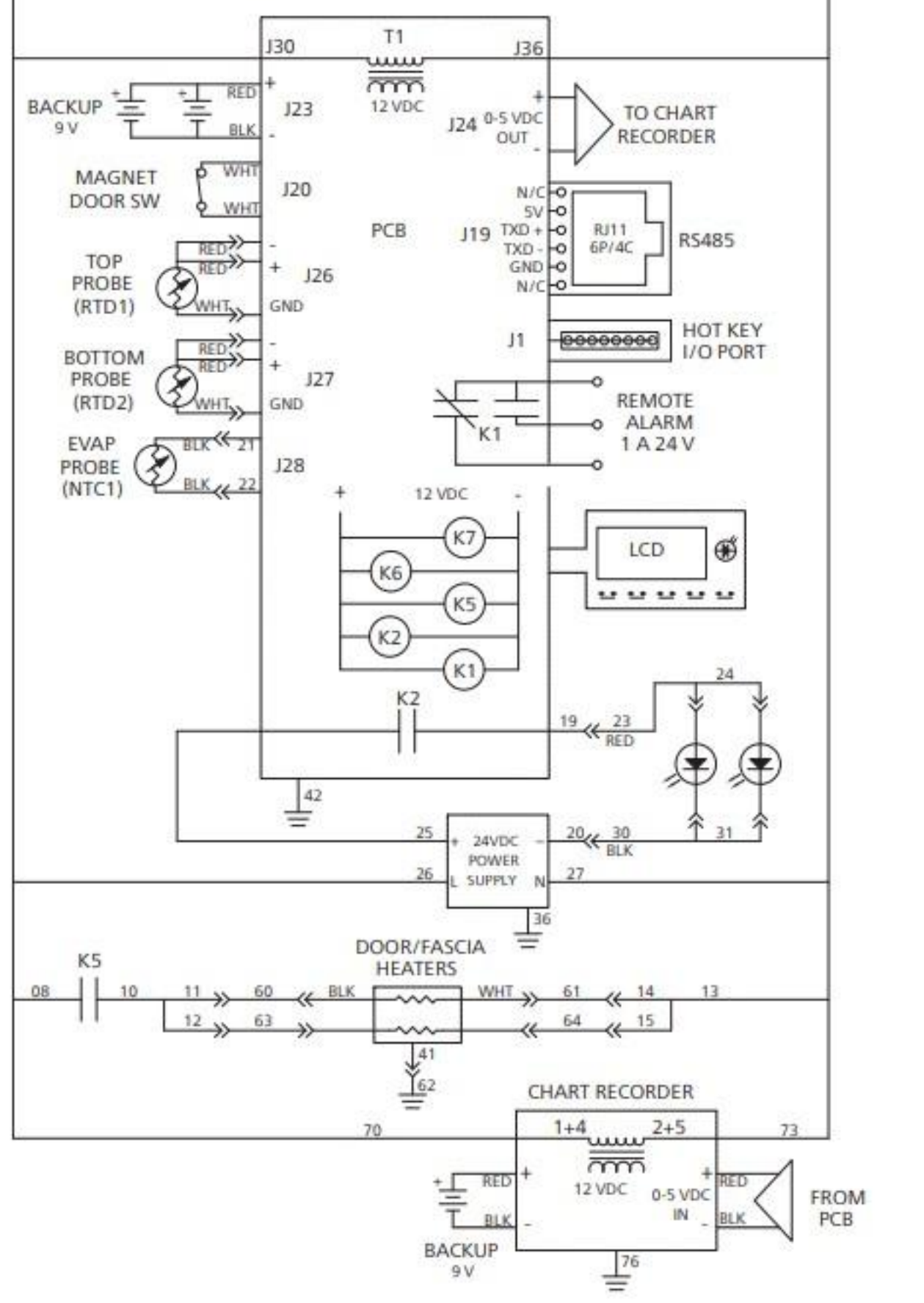
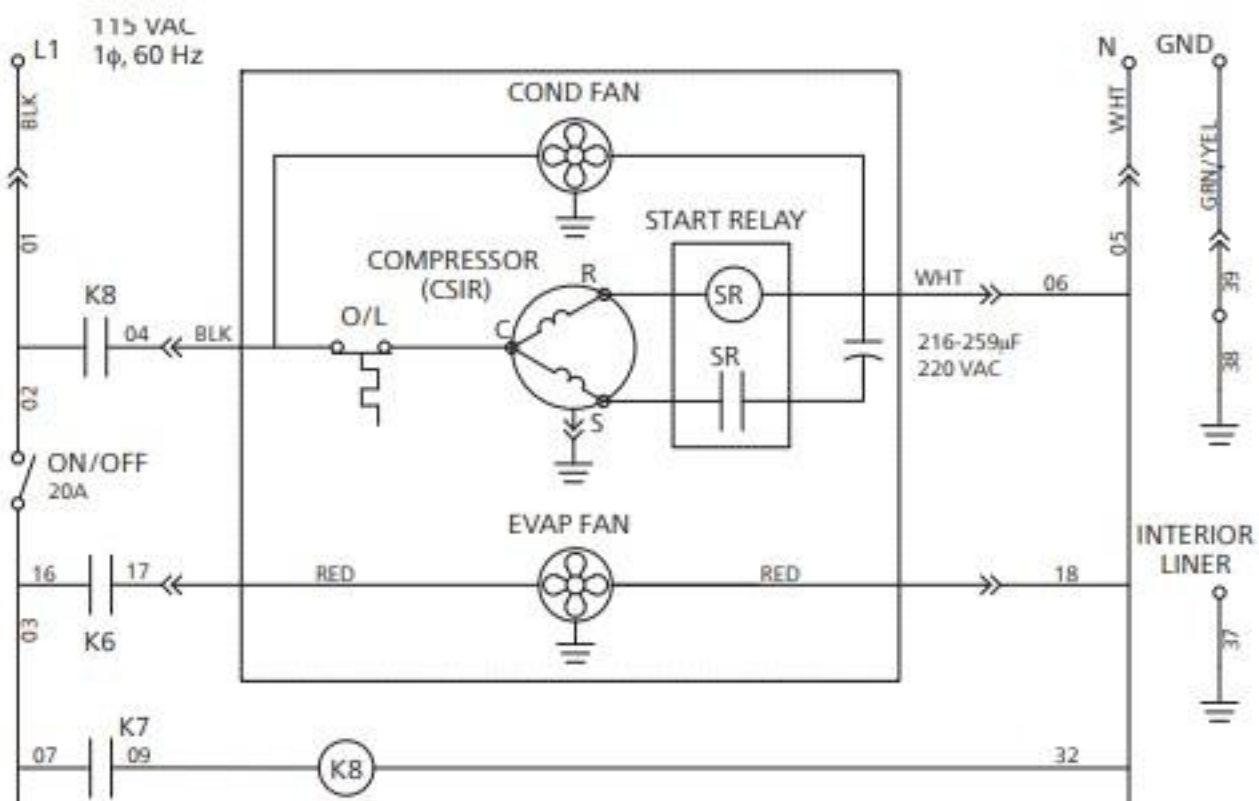
FLA - 0.46A

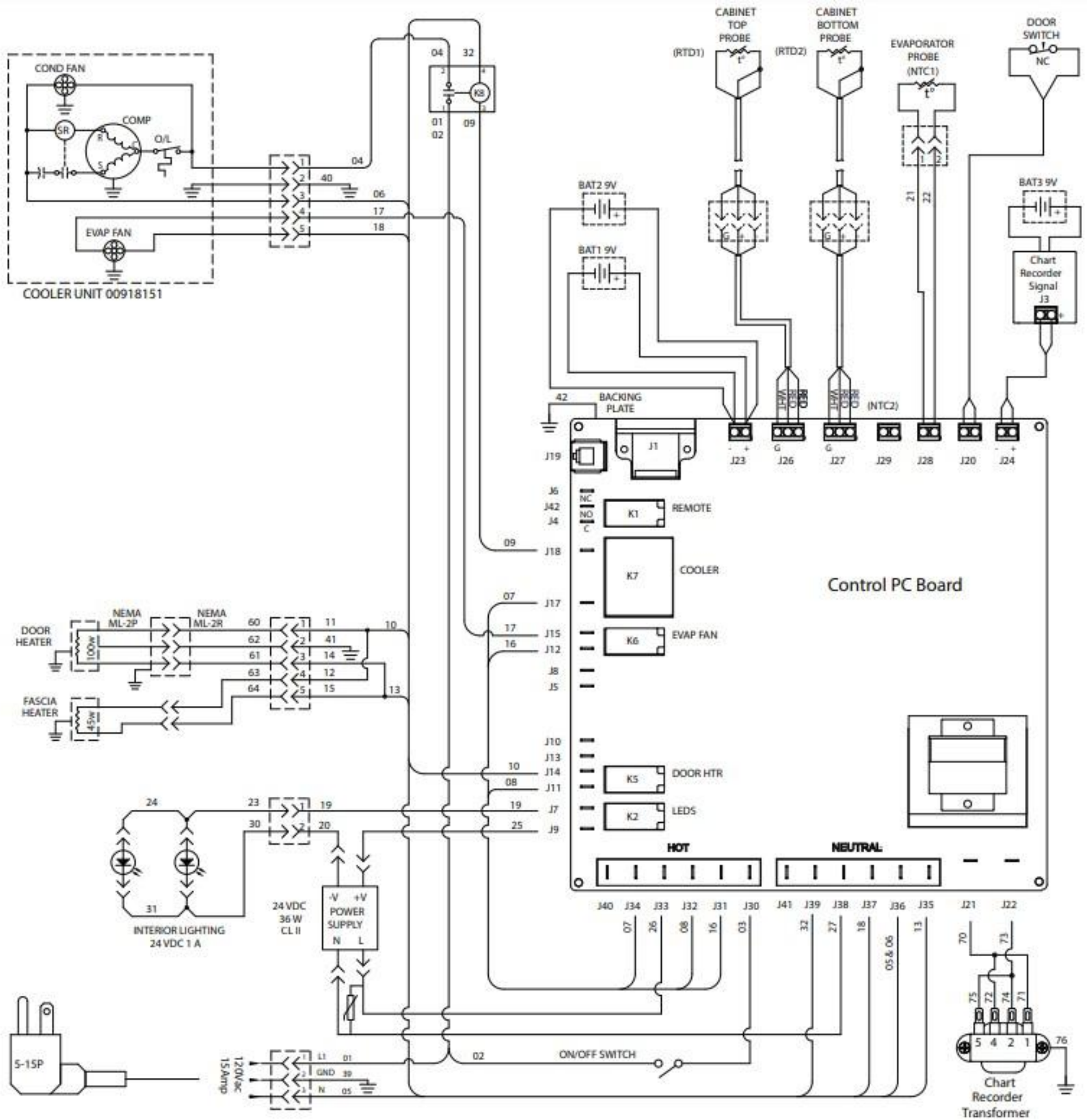




**Component Details**

- Compressor amperage  
RLA - 7.6A, LRA - 44.5A
- Compressor winding resistances  
C-S ( $5.2\Omega - 5.9\Omega$ ), C-R ( $1.2\Omega - 1.3\Omega$ )
- Evaporator fan motor amperage  
FLA - 0.22A
- Condenser fan motor amperage  
FLA - 0.46A





### Component Details

- Compressor amperage  
RLA - 7.6A, LRA - 44.5A
- Compressor winding resistances  
C-S ( $5.2\Omega - 5.9\Omega$ ), C-R ( $1.2\Omega - 1.3\Omega$ )
- Evaporator fan motor amperage  
FLA - 0.22A
- Condenser fan motor amperage  
FLA - 0.46A

