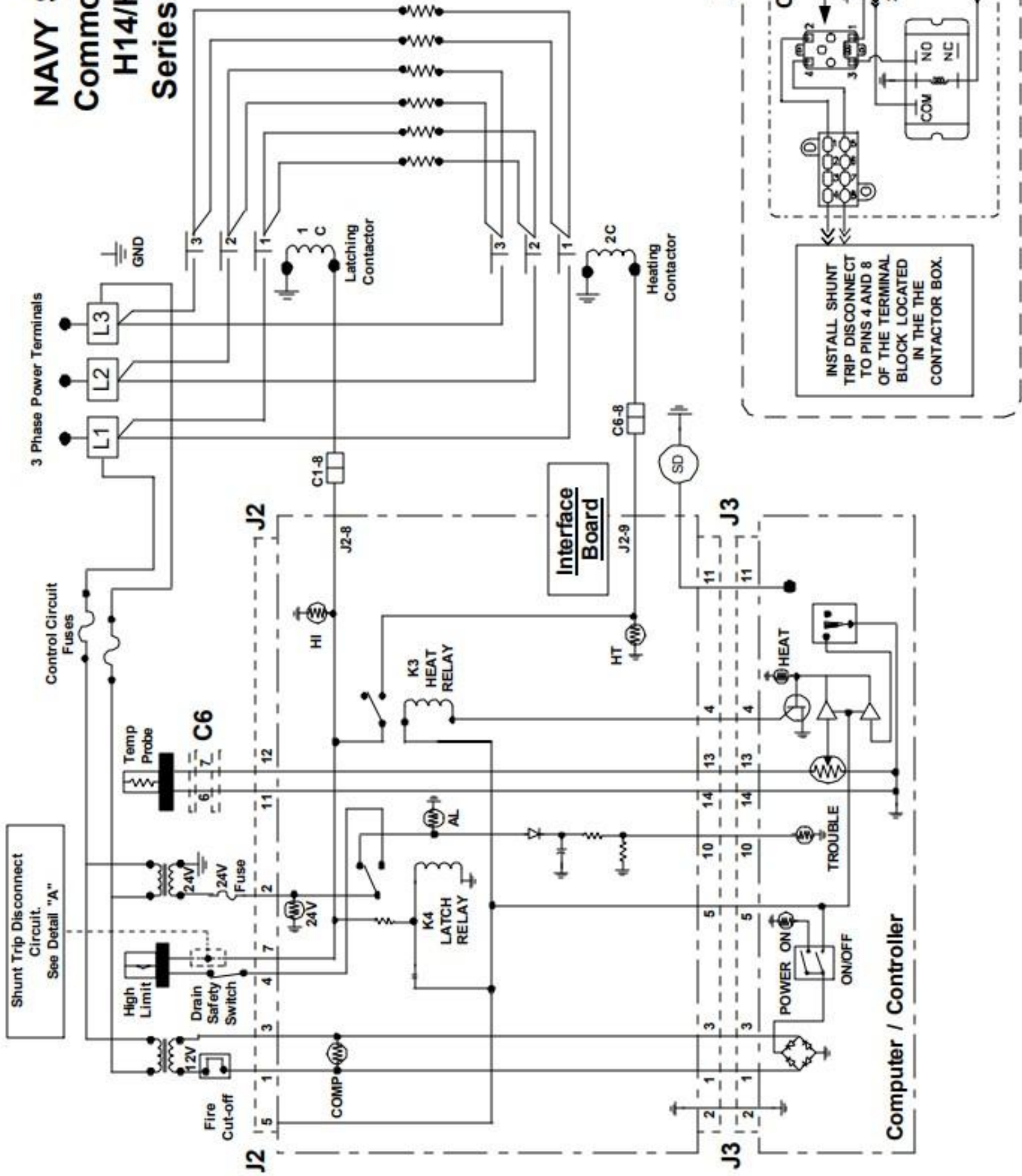


# NAVY Shipboard Common Electric H14/H17/H22 Series - Full Vat



Detail "A"

