

Frigidaire

Factory Parts Catalog

| | |
|----------------|---------------|
| Product No. | AFFC2027DW1 |
| Series | 134A |
| Color | white |
| Volts | 115 |
| Wiring Diagram | 216804000 |
| Owner's Guide | 216960000 |
| Market | North America |
| Energy Guide | 216794406 |

 **Electrolux**

ELECTROLUX HOME PRODUCTS, INC.
P.O. Box 212378, Augusta, GA 30917

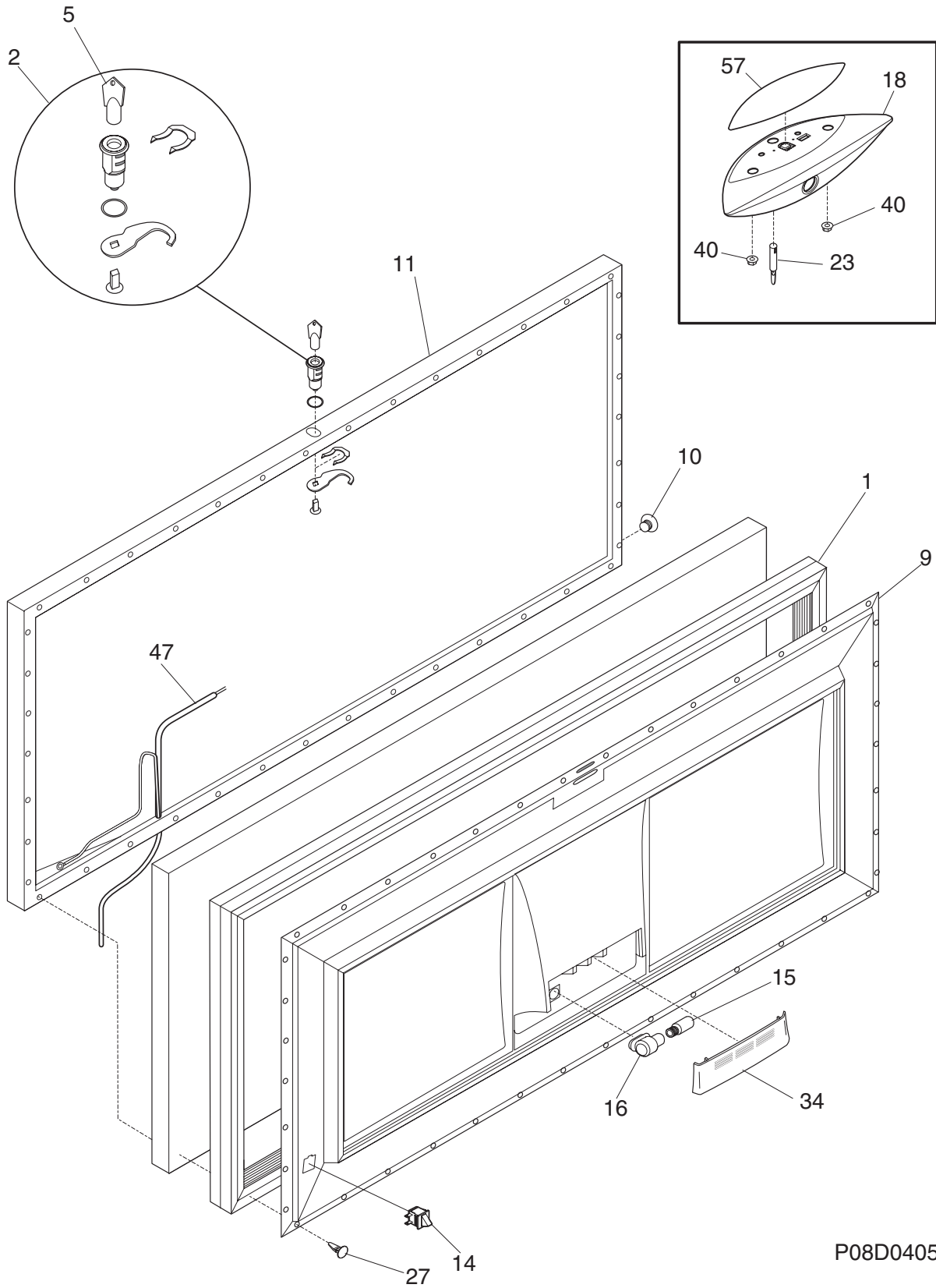
Publication No.
5995419214
04/10/20
(EN/SERVICE/MLR)
365

FREEZER CHEST

Model No.
AFFC2027DW

Copyright © 2004 Electrolux Home Products, Inc.
All rights reserved.

DOOR



P08D0405

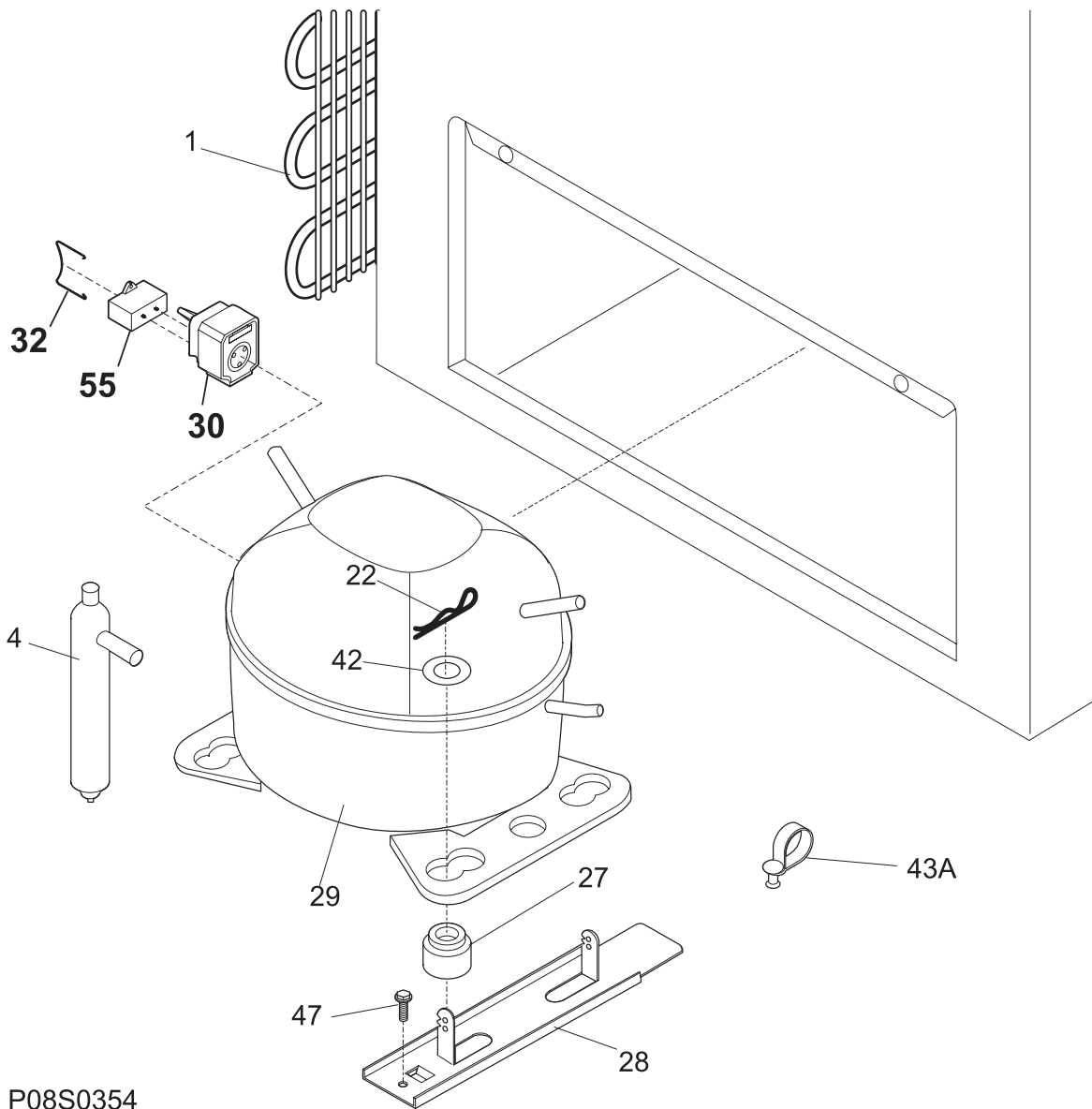
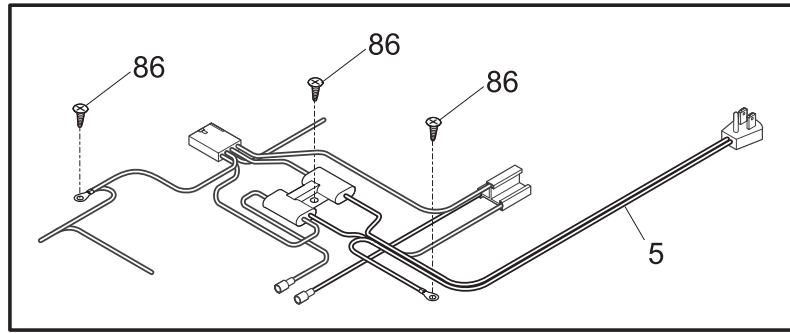
DOOR

| POS. NO | PART NO. | DESCRIPTION |
|---------|----------------------------|--------------------------------------|
| 1 | 216481401 | Gasket, lid seal, white |
| 2 | 5303925107 | Lock Assy |
| * | 5303313518 | Washer, sealing |
| 5 # | 216702900 | Key, lock |
| 9 | 216829504 | Panel-inner door, frzr |
| 10 | 216923001 | Plug button, 1/4", white |
| 11 | 216130127 | Lid, white |
| * | 5303161215 | Screw, ph truss head, 8-18AB x 0.500 |
| 14 | 216822900 | Switch, light/lamp, ramp |
| 15 | 216846400 | Light Bulb/Lamp |
| 16 | 216817600 | Socket, light/lamp, 25 W |
| 18 | 216897600 | Handle, white |
| 23 | 216212700 | Light-signal, amber |
| 27 | 5303212828 | Clip, panel mtg |
| 34 | 5303296969 | Shield, lid lamp |
| 40 | 216922700 | Fastener, .330 dia stud, handle, (2) |
| 47 # | 216908000 | Harness-lid |
| 57 | 216899508 | Overlay |
| * | 5303917276 | Insulation-door, fiberglass, (bulk) |

CABINET

| POS. NO | PART NO. | DESCRIPTION |
|---------|------------|--|
| 1 | 216909800 | Catch-lock, white |
| 1A | 216818900 | Support, lock catch clip |
| 3 | 216502600 | Plug, drain, interior |
| 4 | 216073905 | Plug-drain, exterior |
| 6 | 216111200 | Breaker, hinge side |
| 7 | 216111800 | Breaker, lock side |
| 11 | 216110800 | Breaker, chest end, (2) |
| 18 | 216707200 | Knob, temp control |
| 21 # | 216714600 | Control-temperature |
| 27 | 216629600 | Screw, hex washer head, 10-16 x 0.500, tapping |
| 28 | 216035300 | Hinge |
| 30 | 216110700 | Breaker, corners |
| 59 | 216916201 | Basket, blue, upper, (3) |
| 59A | 216867401 | Basket, blue, lower, (2) |
| 62A | 131420300 | Screw, cr truss head, 8-18AB x 0.750 |
| 75 | 216034301 | Panel, access, white |
| 93 | 5303161215 | Screw, ph truss head, 8-18AB x 0.500 |
| 100 | 216205101 | Track, basket |
| * | 216794406 | Energy Guide |
| * | 5303305324 | Paint, touch-up, white |

SYSTEM



P08S0354

SYSTEM

| POS. NO | PART NO. | DESCRIPTION |
|---------|------------|---|
| 1 # | 5303280307 | Condenser |
| 4 # | 216938600 | Drier-filter |
| 5 | 216806900 | Harness-main |
| 22 | 216056400 | Clip, compressor mtg, SPRING |
| 27 | 5308002681 | Grommet, compressor |
| 28 | 5303212615 | Support, compressor |
| 29 # | 216967000 | Compressor, w/o electricals |
| 30 | 216649300 | Controller-regulator LP |
| 32 | 216649100 | Clamp, elec cont mtg, compressor |
| 42 | 216232700 | Washer, flat, 1"OD x 0.531"ID |
| 43A | 5303212614 | Clip, harness mount |
| 47 | 216629600 | Screw, hex washer head, 10-16 x 0.500, tapping |
| 55 | 218909913 | Capacitor-run, 220 VAC, 15 microfarad |
| 86 | 216036600 | Screw, ph washer head, 8-32CA x 0.500, thread forming |
| * | 5303298960 | Spacer-tube, 0.237" ID |