

Frigidaire

Factory Parts Catalog

Product No.	AFFU2066DW1
Series	134A
Color	white
Volts	115
Wiring Diagram	216857700
Owner's Guide	216960000
Market	North America
Energy Guide	216795509

 **Electrolux**

ELECTROLUX HOME PRODUCTS, INC.
P.O. Box 212378, Augusta, GA 30917

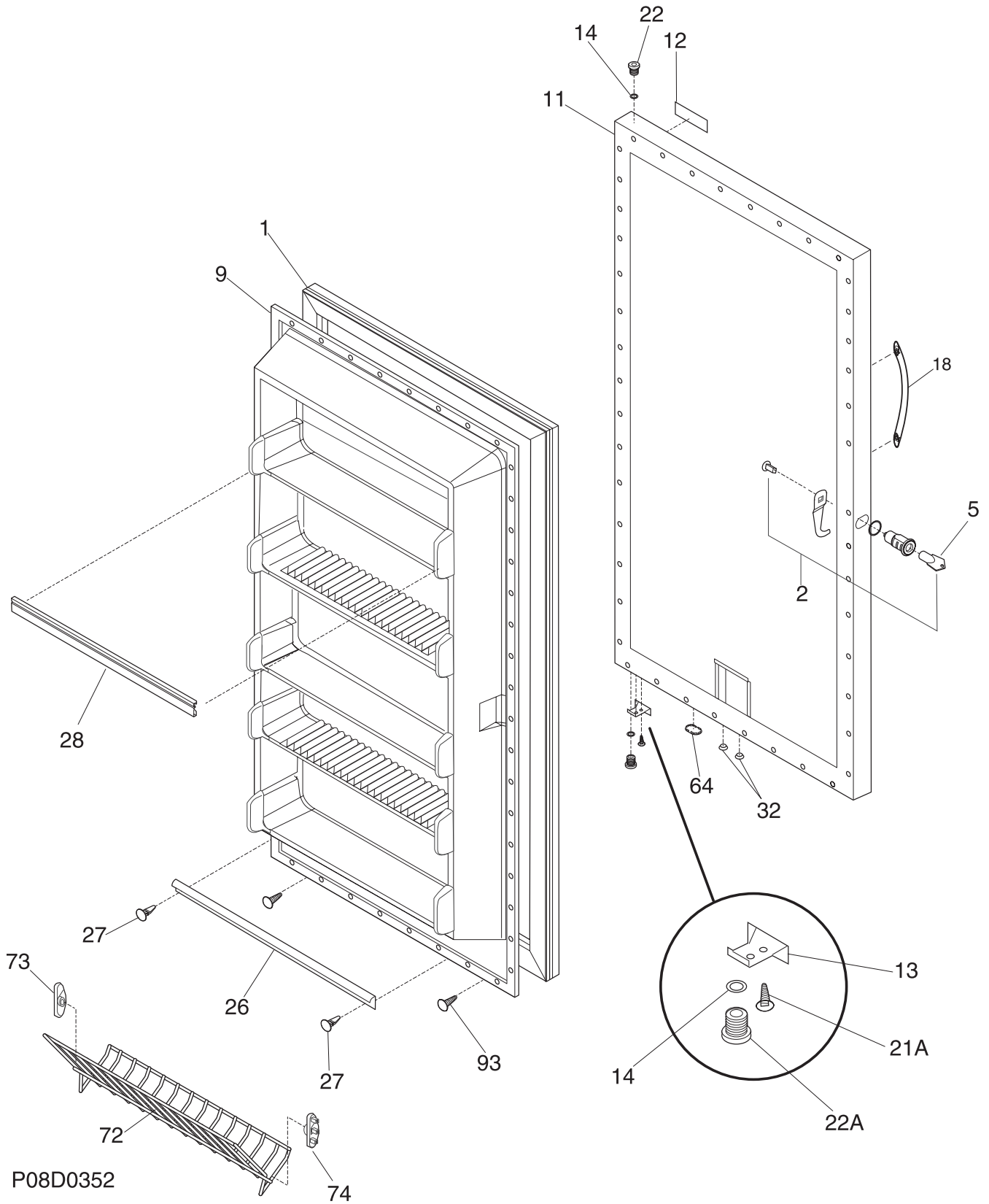
Publication No.
5995418612
04/10/15
(EN/SERVICE/MLR)
365

UPRIGHT FREEZER

Model No.
AFFU2066DW

Copyright © 2004 Electrolux Home Products, Inc.
All rights reserved.

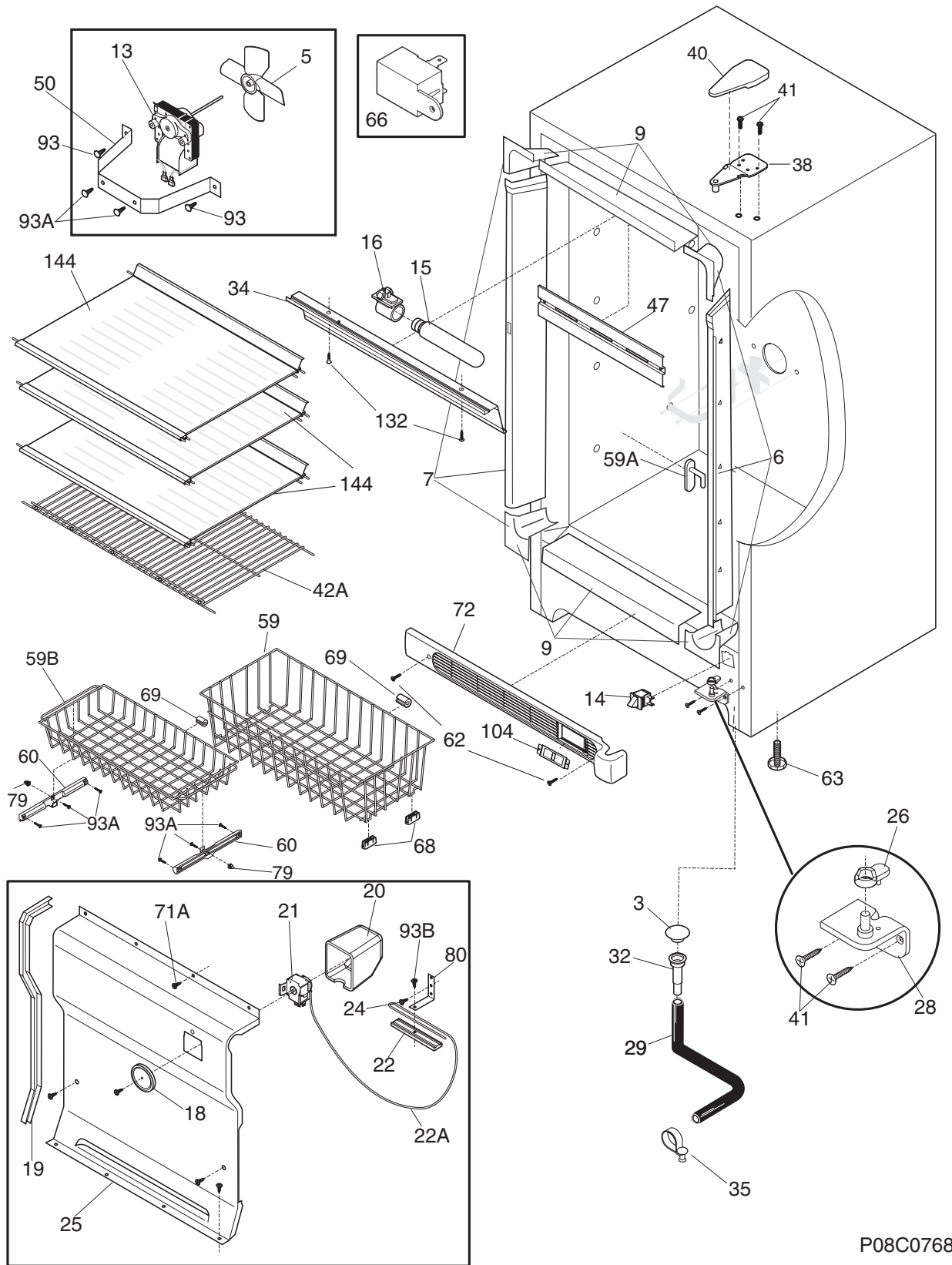
DOOR



DOOR

POS. NO	PART NO.	DESCRIPTION
1	216522312	Gasket-door, white
2	5303925107	Lock Assy
5 #	216702900	Key, lock
9	216528113	Panel-inner door, frzr
11	216531215	Panel-outer door, white
12	216947302	Nameplate
13	08016354	Door Stop
14	5303313518	Washer, sealing
18	216921200	Handle, white
*	216932500	Nut, flange locking, handle
21A	08005520	Screw, door stop mtg, 4.0 x 0.7-19.7, flat hd, metric
22	5303925197	Bearing, hinge, top
22A	216503200	Bearing, hinge, bottom
26	216524200	Gasket, secondary
27	5303212828	Clip, panel mtg
28	216806100	Rack-door, contour, (4)
32	5309950074	Valve, breather, door base
64	216403700	Plug-button, hole filler, door base
72	216514100	Shelf, tilt out, wire
73	216513900	End Cap, shelf, LH, tilt-out
74	216514000	End Cap, shelf, RH, tilt-out
93	5303161215	Screw, ph truss head, 8-18AB x 0.500

CABINET

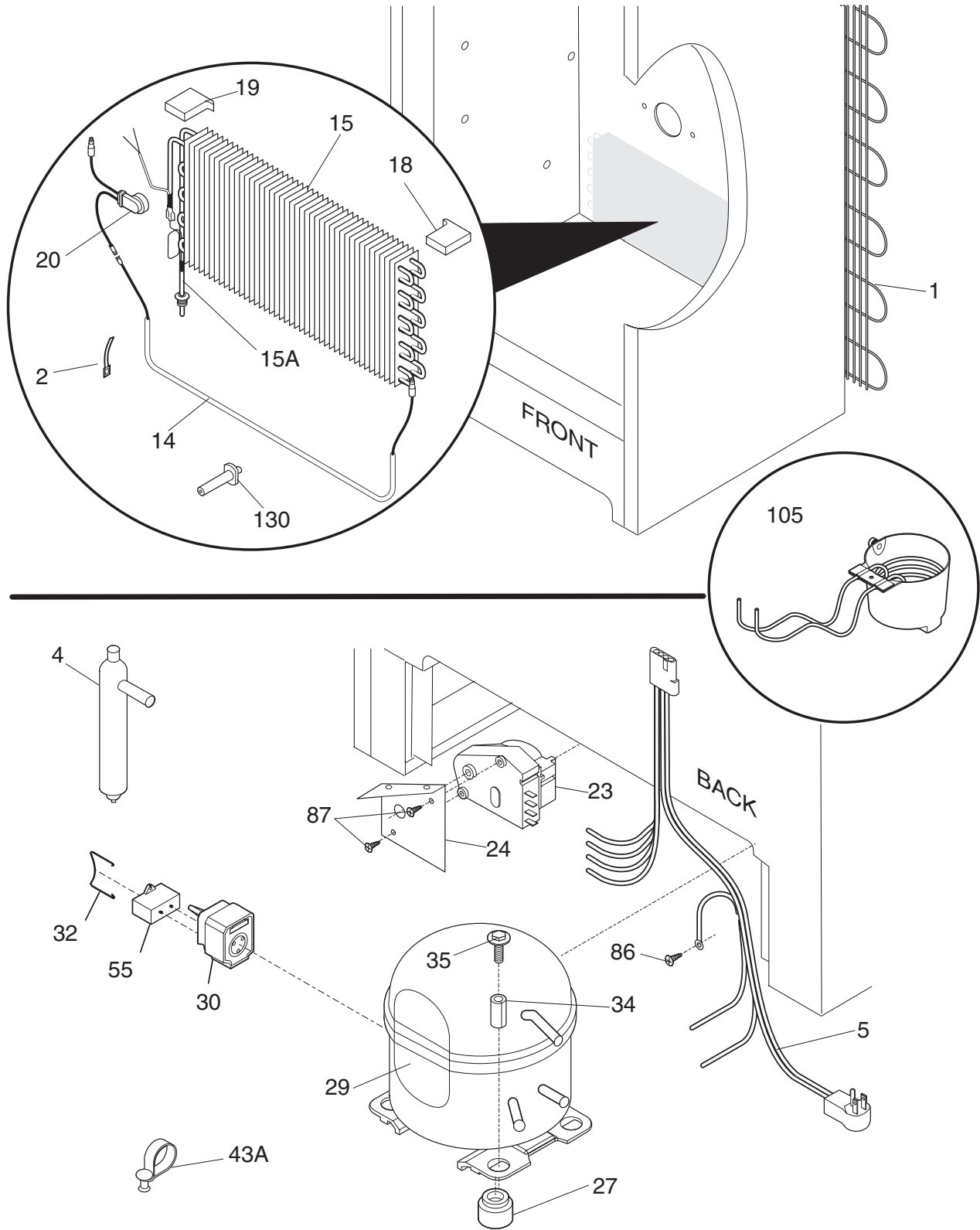


P08C0768

CABINET

POS. NO	PART NO.	DESCRIPTION
3	216503100	Screen-drain
5 #	216325600	Fan Blade
6	216604100	Breaker Kit w/corners
7	216603600	Breaker Kit w/corners, lock catch
9	216603300	Breaker Kit w/corners, 32", top or bottom
13	216934100	Motor, fan, 115 V
*	216912400	Screw, hex washer head, #8-32 x .500, bracket fan mtr, (2)
14	216822900	Switch, light/lamp, ramp
15	216846400	Light Bulb/Lamp
16	216817600	Socket, light/lamp, 25 W
18	216707200	Knob, temp control
19	216204901	Gasket-cover evap
20	216230300	Cover, temp control
21	216715200	Control-temperature
22	216823500	Clamp, cap tube, cold control
22A	5303916855	Tube, sensor sleeve, plastic, clear
24	5300052943	Screw-clamp, truss hd cr, control
25	216820300	Cover-evaporator
26	216503300	Ramp, door closer
28	216247400	Hinge, bottom
29	216313500	Hose-drain
32	5308005500	Drain
34	216816212	Shield-light
35	216629700	Clip
38	216939100	Hinge-upper
40	216809000	Cover-hinge
41	216954400	Screw, 12-24 x.700 hwh, hinge mtg.
42A	216458400	Shelf, 14.50x27.88
*	216502400	Grommet-shelf mtg
47	216661600	Plate, baffle, snap fit
50	216394000	Bracket, fan motor mount
59	216826500	Basket
59A	216486500	Stop-basket
59B	216880100	Basket
60	5303212693	Slide, shelf, (2)
62	131420300	Screw, cr truss head, 8-18AB x 0.750
63	216396900	Screw, leveling foot, plastic, adjustable
66 #	216713700	Buzzer, alarm
68	08009560	Glide-basket, (4)
69	5305878546	Bumper-basket, (4)
71A	5304416289	Screw, ph truss head, 8-18AB x 0.47, EVAP PANEL
72	216946800	Grille/Kickplate, 32"
79	3017666	Nut-insert
80	06594601	Bracket, control
93	5303161215	Screw, ph truss head, 8-18AB x 0.500
93A	216629600	Screw, hex washer head, 10-16 x 0.500, tapping
93B	216036600	Screw, ph washer head, 8-32CA x 0.500, thread forming
104	216948401	Light, signal, assy w/bracket
104*	216926700	Shield
132	5303283898	Screw, 6-20AB x 3/8
144	216922302	Shelf-assy, fixed, glass, (3), complete
*	09948773	Insulation, drain tube
*	5303305324	Paint, touch-up, white
*	216795509	Energy Guide

SYSTEM



P08S0364

SYSTEM

POS. NO	PART NO.	DESCRIPTION
1 #	5300083897	Condenser
2	5308000110	Strap-evap/heater, aluminum, (2)
4 #	216938600	Drier-filter
5 #	216845700	Harness-main
14 #	216730700	Heater-defrost
15 #	216737300	Evaporator
15A	216783200	Heat Exchanger, suct/cap tube
18	216727600	Insulator-evap, styrofoam
19	216727700	Insulator-evap, styrofoam
20	216731000	Thermostat, defrost
23 #	216744500	Timer-defrost
24	08016580	Bracket
27	5308002681	Grommet, compressor
29 #	216966700	Compressor, w/o electricals
30 #	216649315	Controller
32	216649100	Clamp, elec cont mtg, compressor
34	5306594529	Sleeve-compressor, (3)
35	5303272328	Screw, lnd hex sems, 1/4-28 unfx, compressor, (3)
43A	216629700	Clip
55	218909913	Capacitor-run, 220 VAC, 15 microfarad
86	216036600	Screw, ph washer head, 8-32CA x 0.500, thread forming
87	08037849	Screw, ph truss head, 6-32(T) x 0.500, thread cutting
105	216854000	Cup-drain
130	216486800	Support, evaporator mtg
*	216502500	Sleeve, suction line
*	5303298960	Spacer-tube, 0.237" ID