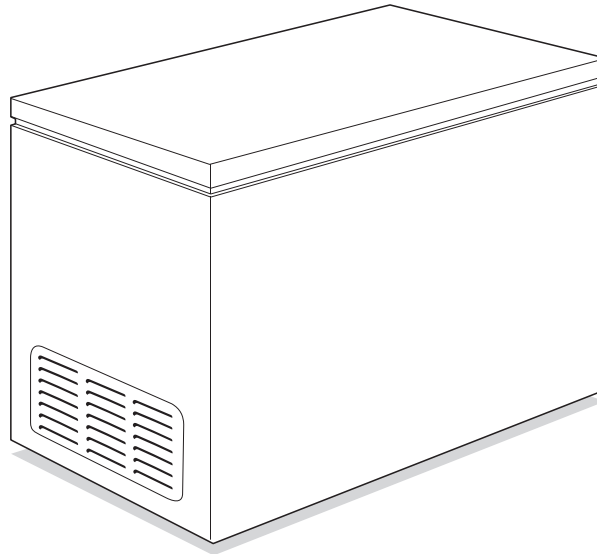


FACTORY PARTS CATALOG FREEZER

UNIVERSAL/MULTI-FLEX



PRODUCT NO.	BASE MODEL NO.	SERIES	COLOR	VOLTS
CFC05M0HW0	CFC05M0H	134A	white	115
MARKET				
North America				

WIRING DIAGRAM - # 216372500
OWNER'S GUIDE - # 216602400
MINI MANUAL - # 216372500

 **FRIGIDAIRE**
HOME PRODUCTS

Publication No.
5995319885
990322
-EN/SERVICE /GS
365

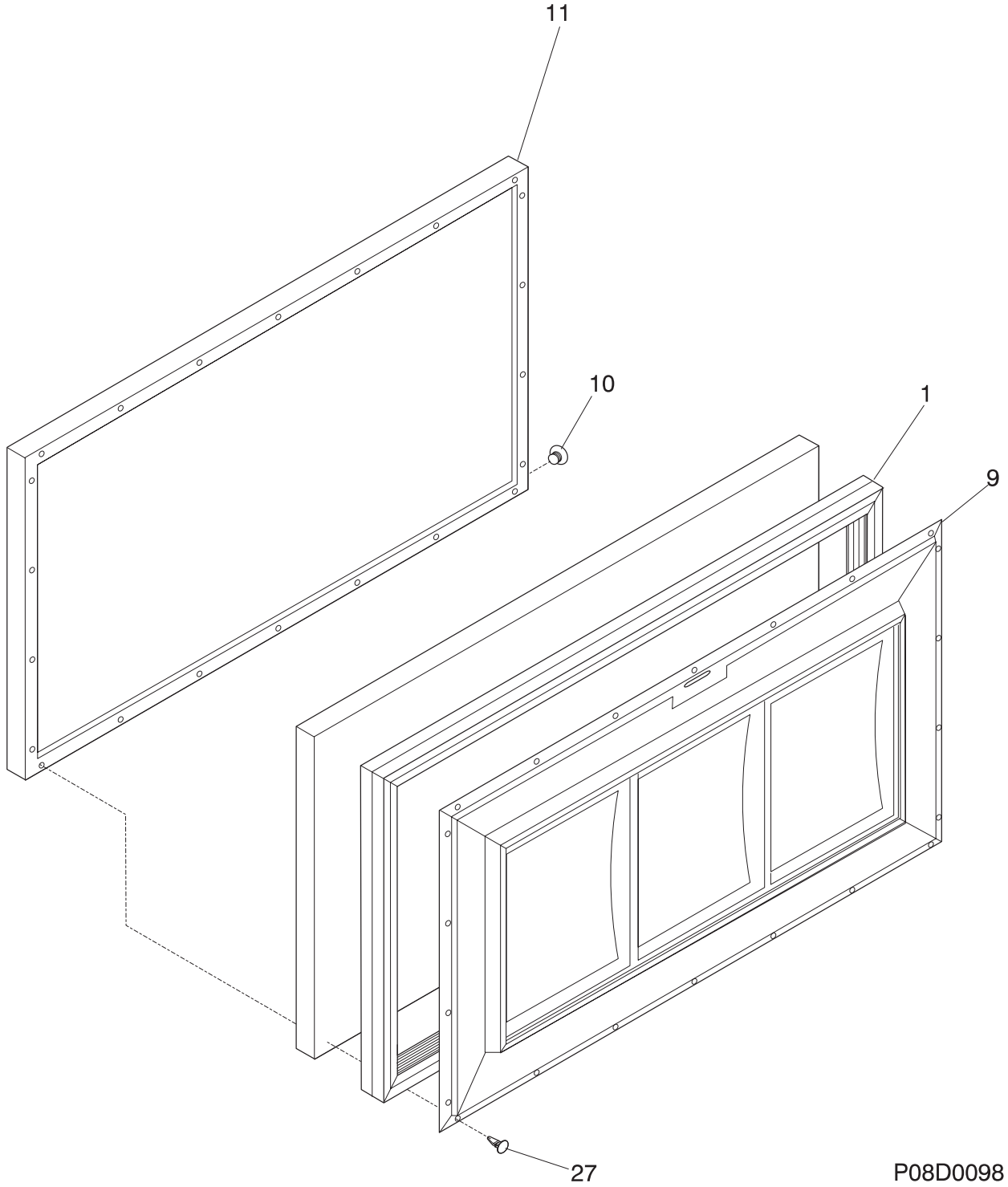
FREEZER

Model No.

CFC05M0HW0

©1999 White Consolidated Industries, Inc.
All rights reserved

DOOR

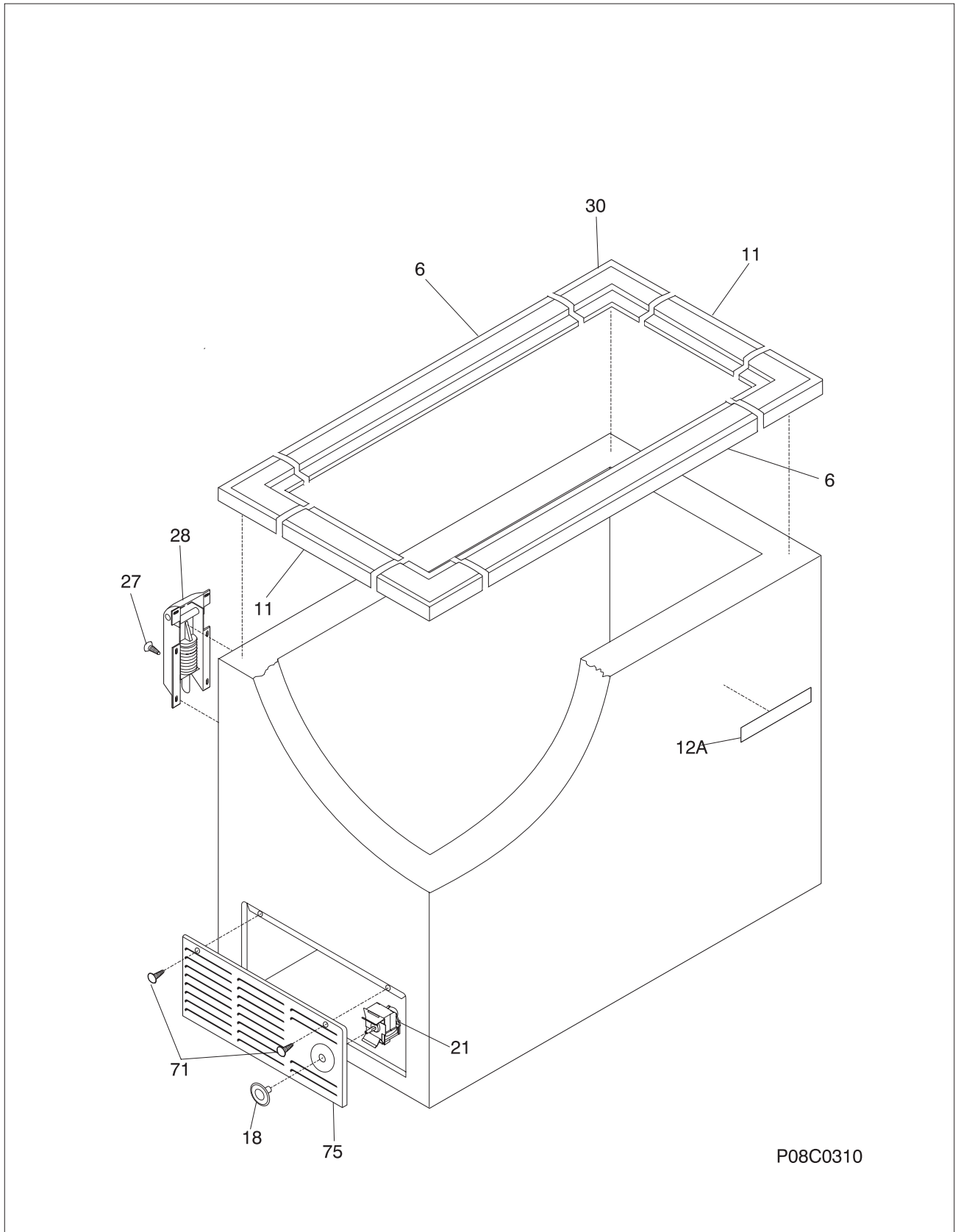


P08D0098

DOOR

POS. NO	PART NO	DESCRIPTION
1	216480801	Gasket-door,white
9	216061502	Panel-inner lid,white
10	216141101	Plug button,white
11	216106014	Panel-outer lid,white
27	5303212828	Clip,panel

CABINET

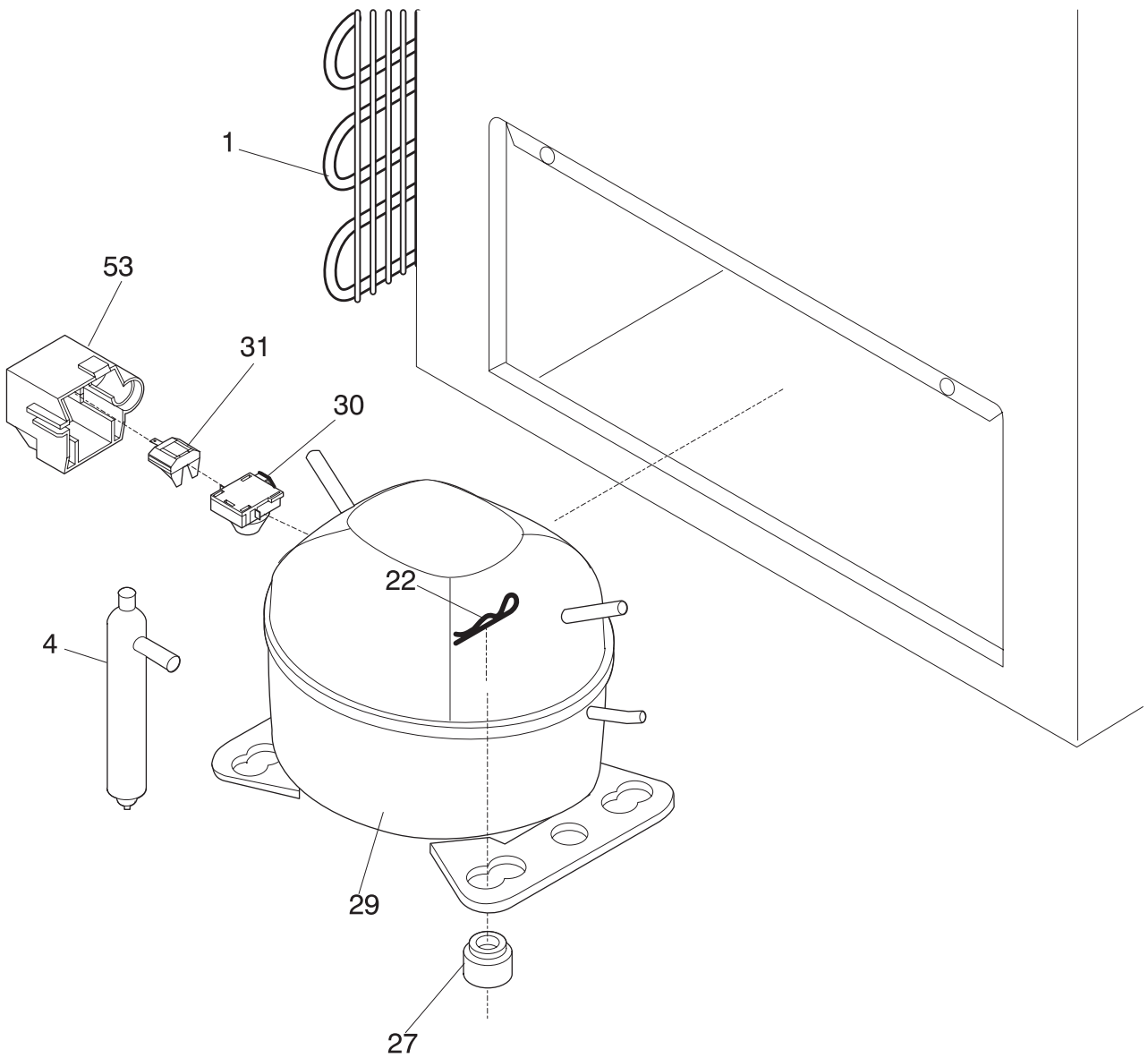
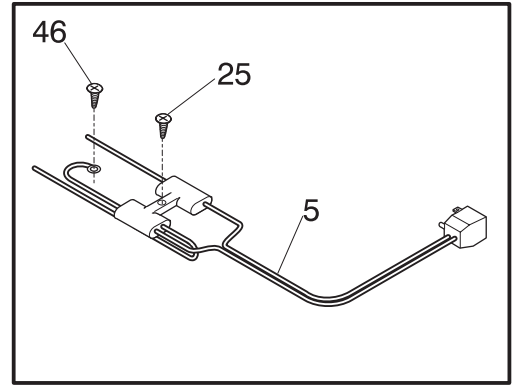
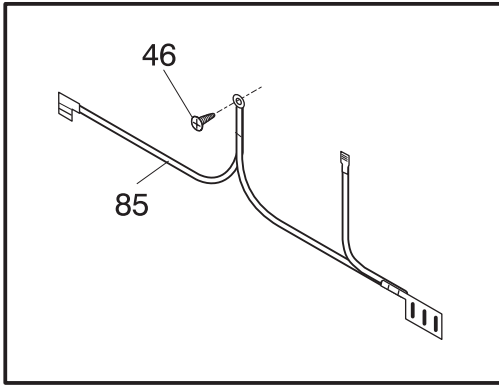


P08C0310

CABINET

POS. NO	PART NO	DESCRIPTION
6	216105700	Breaker-hinge\front,white
11	216105600	Breaker-ends,white
12A	216373000	Frame-nameplate
18	216591602	Knob,temp control
21 #	216356800	Control-temperature
27	216629600	Screw-hinge
28	216478800	Hinge Assy
30	216105500	Breaker-corners,white
71	131168200	Screw,8-18 x 0.31
75	216329402	Panel-access,white
*	5303305324	Paint,touch-up ,white

SYSTEM



P08S0015

SYSTEM

POS. NO	PART NO	DESCRIPTION
1 #	5300120779	Condenser
4	216634500	Drier-filter
5 #	216552000	Harness,electrical
22	216056400	Clip-spring mtg
25	216022800	Screw,washer head ,8-18 X 1/2
27	5308002681	Grommet,compressor
29 #	5303925442	Compressor,w/electricals
29	216511000	Compressor,w/o electricals
30	216511200	Starter-PTC
31	216100113	Overload Protector
46	08037851	Screw,PH type AB ,8-32x1/2 ,wiring harness
53	216347800	Cover,compressor
85	216533100	Wire,ground
*	216478900	Fastener,energy guide