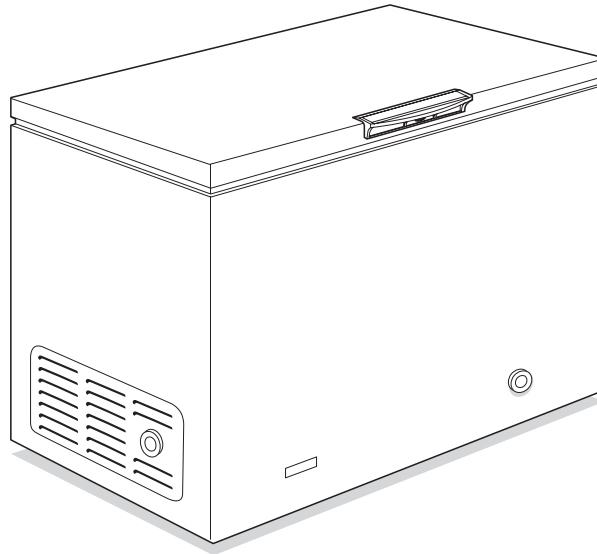


FACTORY PARTS CATALOG FREEZER

UNIVERSAL/MULTI-FLEX



PRODUCT NO.	BASE MODEL NO.	SERIES	COLOR	VOLTS
CFC07M3HW0	CFC07M3H	134A	white	115
MARKET				
North America				

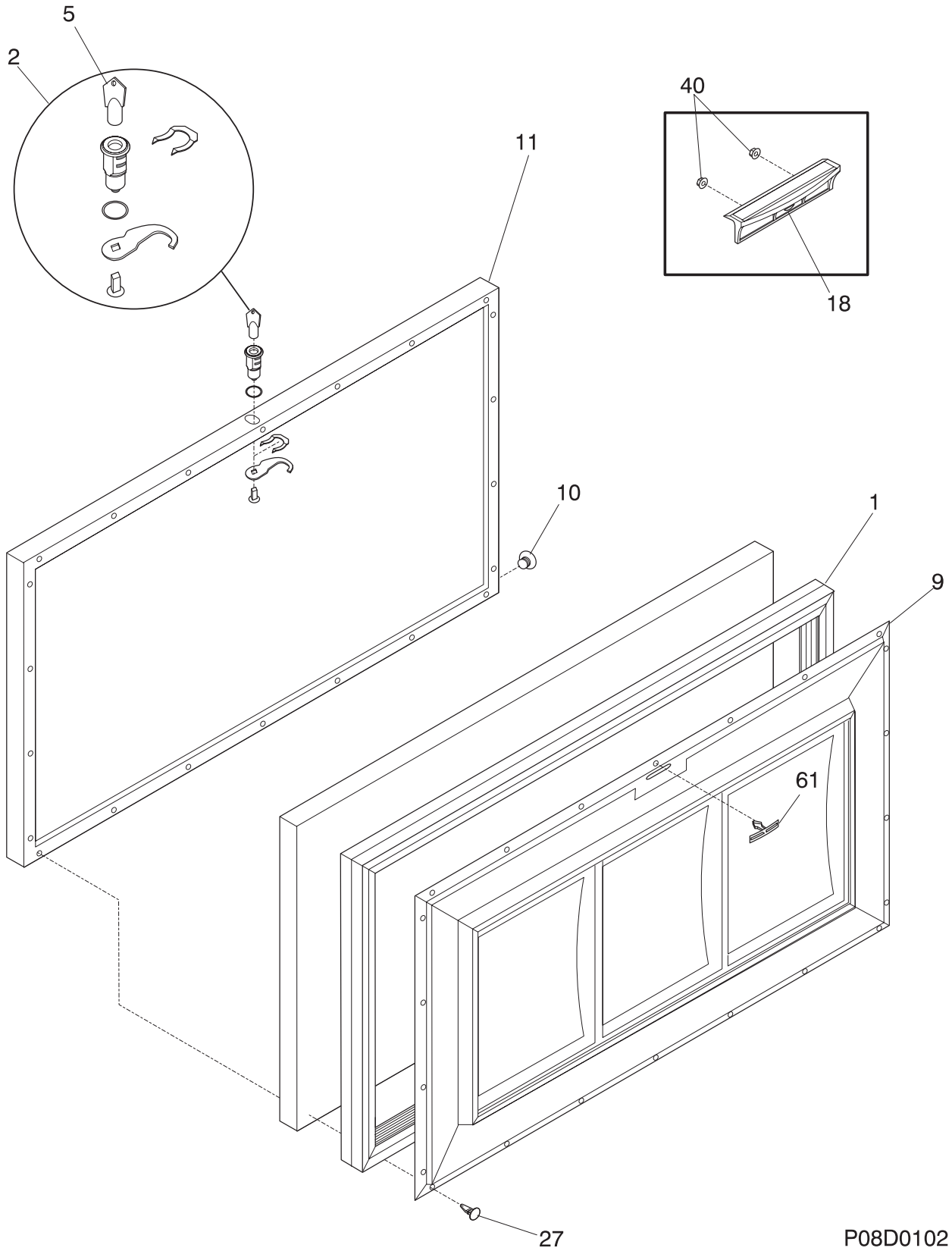
WIRING DIAGRAM - # 216372500
 OWNER'S GUIDE - # 216602400
 MINI MANUAL - # 216372500

 **FRIGIDAIRE**
 HOME PRODUCTS

Publication No.
 5995320131
 990325
 -EN/SERVICE /GS
 365

FREEZER
 Model No.
CFC07M3HW0

DOOR

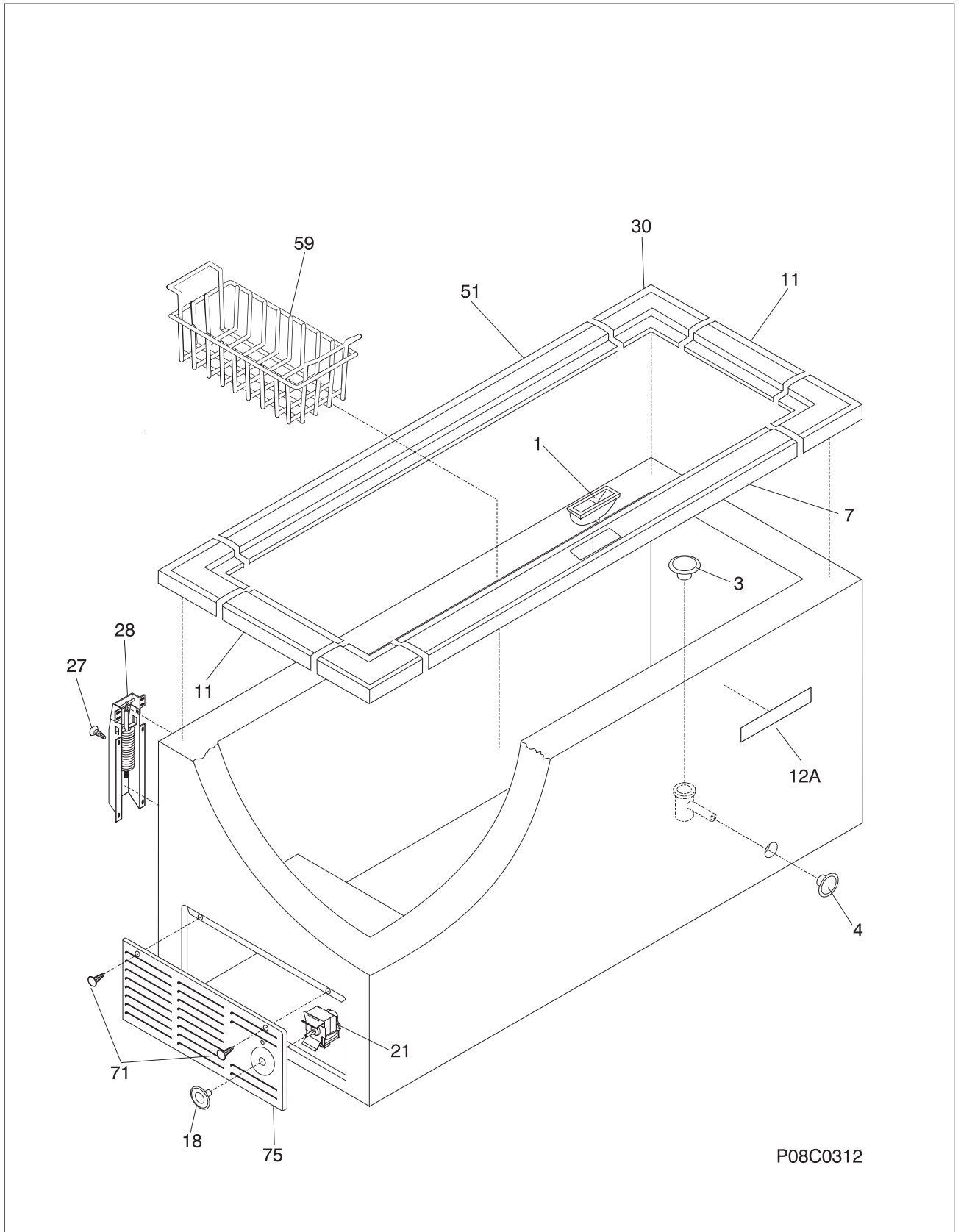


P08D0102

DOOR

POS. NO	PART NO	DESCRIPTION
1	216480901	Gasket-door,white
2 #	5303925107	Lock Assy
5 #	216388700	Key,lock
9	216061600	Panel-inner door/lid,white
10	216141101	Plug button,white
11	216113111	Panel-outer door/lid,white
18	216205001	Handle,white
27	5303212828	Clip,panel
40	5309948647	Fastener,handle
*	5303917276	Insulation-door,fiberglass ,(bulk)

CABINET

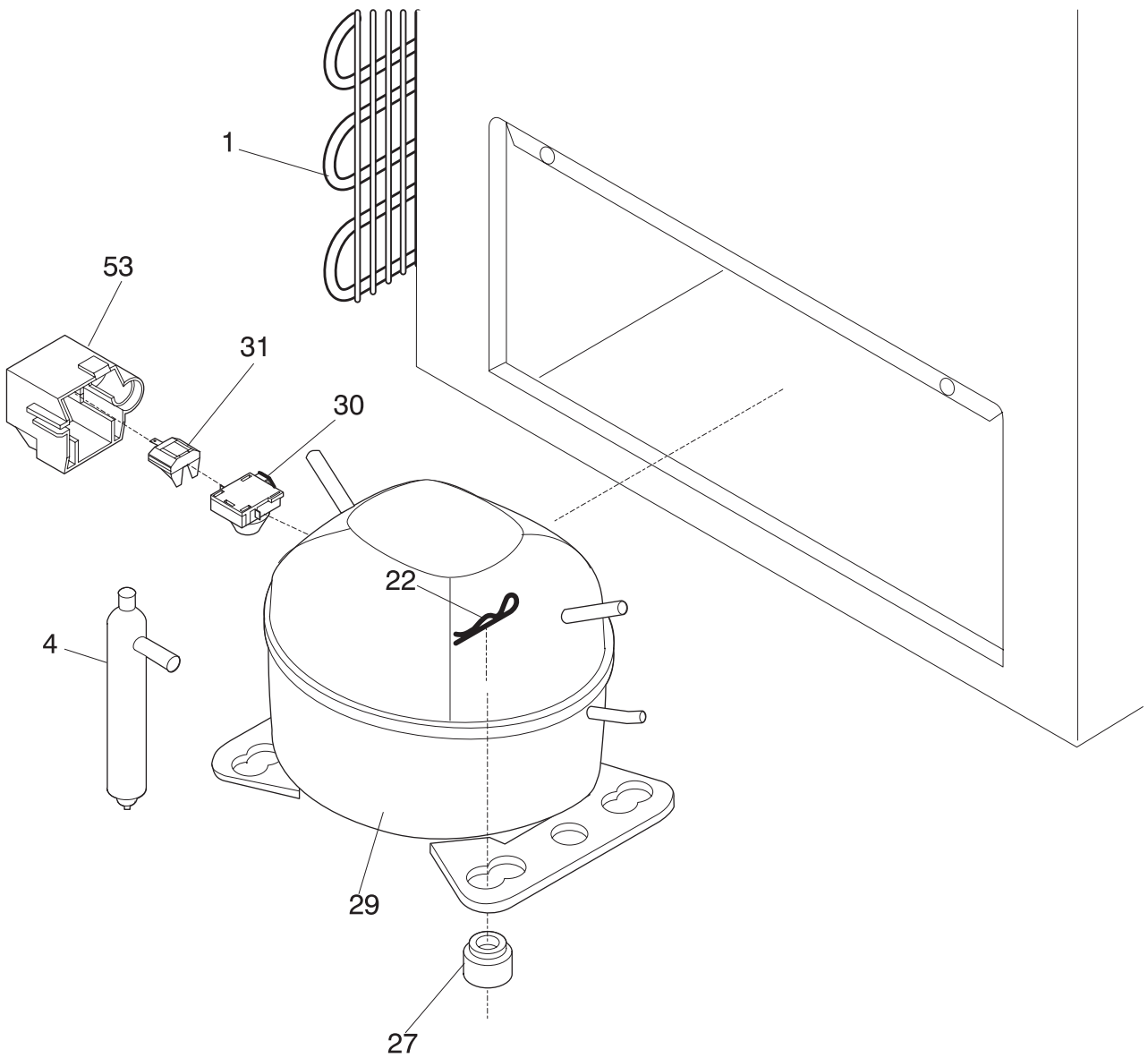
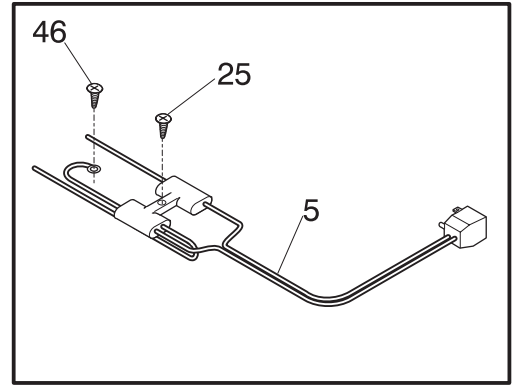
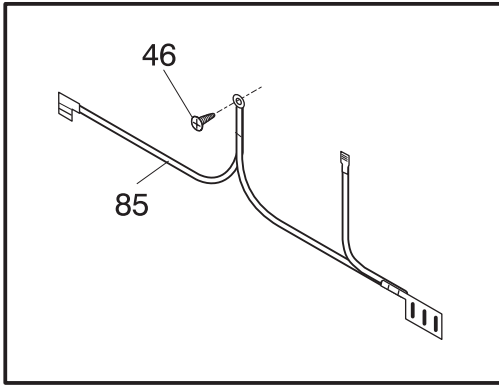


P08C0312

CABINET

POS. NO	PART NO	DESCRIPTION
1	216117700	Support lock
3	216502600	Plug-drain,exterior
4	216073900	Plug-drain,interior
7	216112900	Breaker-lock side
11	216105600	Breaker-ends,white
12A	216373000	Frame-nameplate
18	216591602	Knob,temp control
21 #	216356800	Control-temperature
27	216629600	Screw-hinge
28	216478800	Hinge Assy
30	216105500	Breaker-corners,white
51	216112800	Breaker-hinge,white
59	216078600	Basket
71	5303302714	Screw,8-18x3/4 ,(2)
75	216329402	Panel-access,white
*	5303305324	Paint,touch-up ,white

SYSTEM



P08S0015

SYSTEM

POS. NO	PART NO	DESCRIPTION
1 #	5300120780	Condenser
4	216634500	Drier-filter
5 #	216552000	Harness,electrical
22	216056400	Clip-spring mtg
25	216022800	Screw,washer head ,8-18 X 1/2
27	5308002681	Grommet,compressor
29 #	5303925442	Compressor,w/electricals
30	216511200	Starter-PTC
31	216100113	Overload Protector
46	08037851	Screw,PH type AB ,8-32x1/2 ,wiring harness
53	216347800	Cover,compressor
85	216533100	Wire,ground
*	216478900	Fastener,energy guide