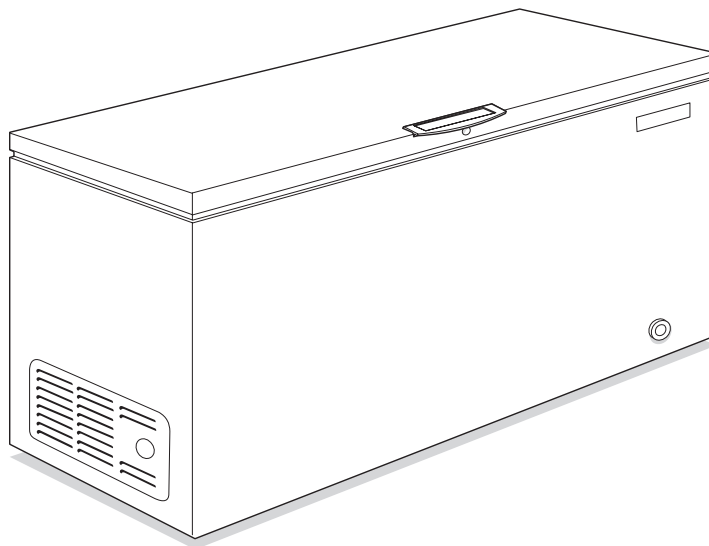


FACTORY PARTS CATALOG FREEZER

UNIVERSAL



PRODUCT NO.	BASE MODEL NO.	SERIES	COLOR	VOLTS
CFC09M4AW2	CFC09M4AW	134A	white	115

MARKET

North America

WIRING DIAGRAM - # 216929600
OWNER'S GUIDE - # 216760400 ENERGY GUIDE - # 216794004
SERVICE DATA SHEET - # 216929600

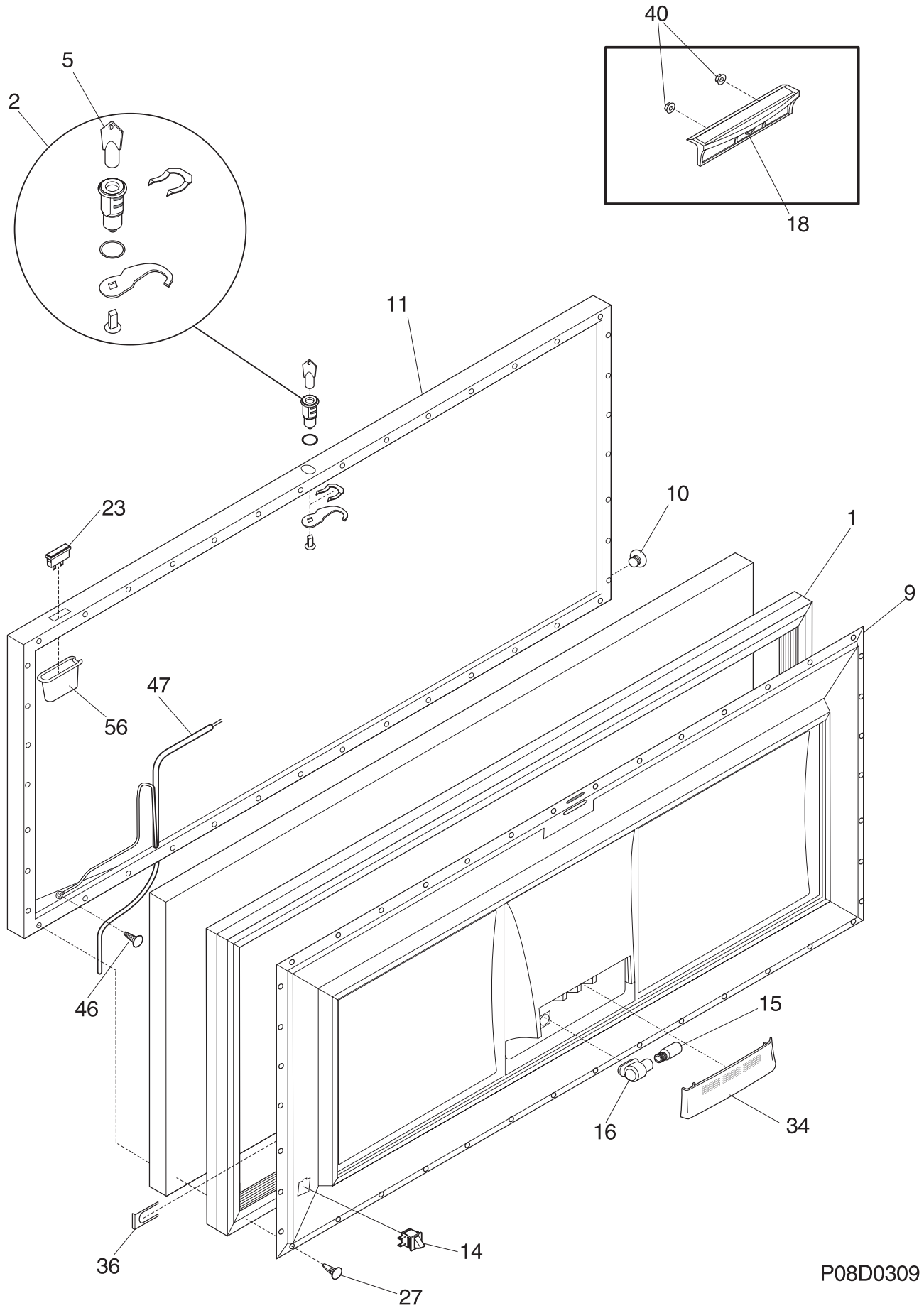
ELECTROLUX HOME PRODUCTS, INC.
P.O BOX 212378, AUGUSTA , GA 30917

Publication No.
5995398574
031110
-EN/SERVICE /MLR
365

FREEZER
Model number:
CFC09M4AW2

©2003 Electrolux Home Products, Inc.
All rights reserved

DOOR

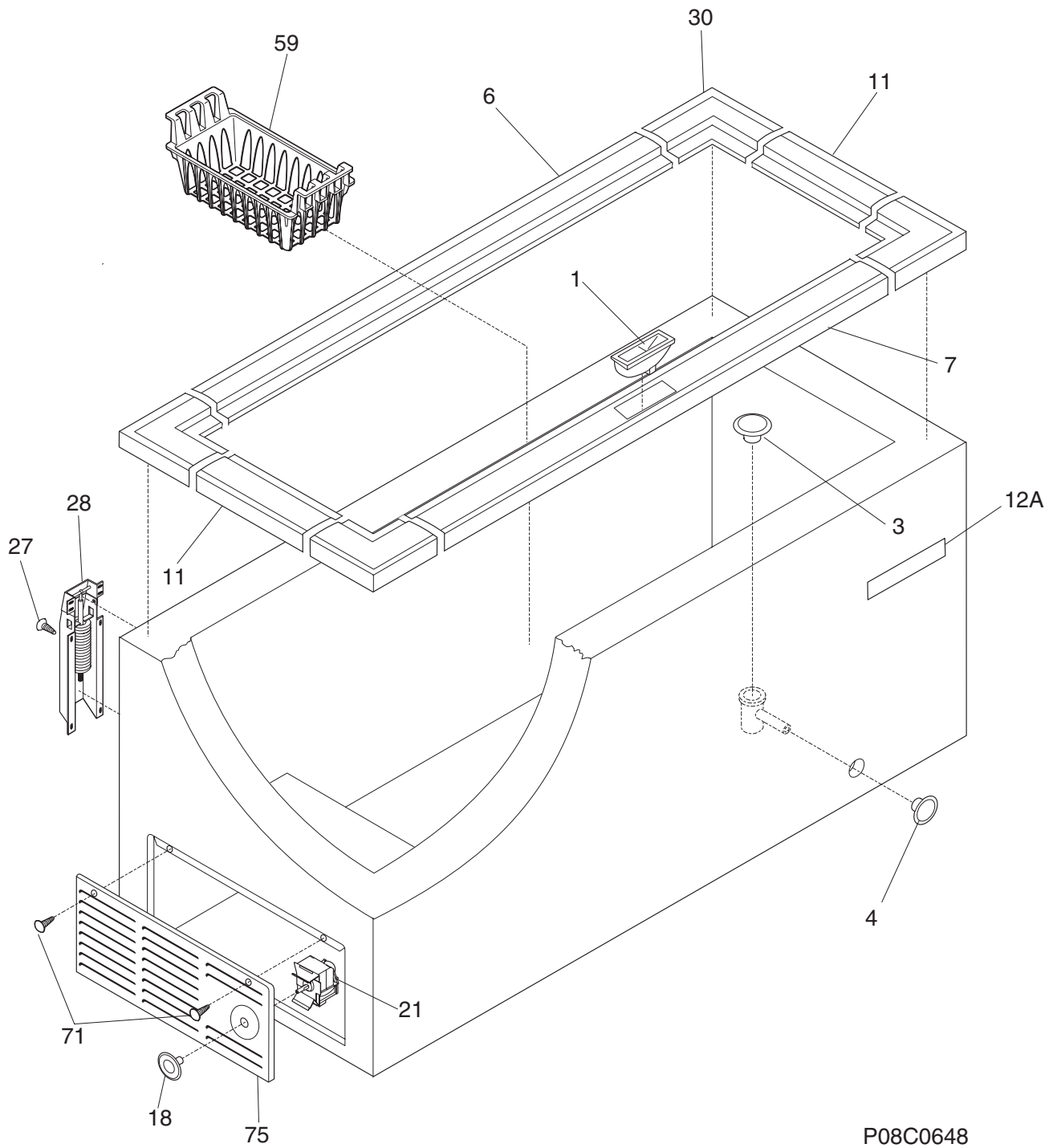


P08D0309

DOOR

POS. NO	PART NO	DESCRIPTION
1	216481001	Gasket-door,white
2	5303925107	Lock Assy
5 #	216702900	Key,lock
9	216829800	Panel-lid
10	216923001	Plug button,1/4" ,white
11	216117928	Panel-lid
14	216822900	Switch,light/lamp ,ramp
15	216846400	Light Bulb/Lamp
16	216817600	Socket,light/lamp ,25 W
18	216205001	Handle,white
23	5308002706	Light-signal,amber
27	5303212828	Clip,panel mtg
34	5303296969	Shield,lid lamp
36	5309948955	Clip-panel
40	216922700	Fastener,.330 dia stud ,handle ,(2)
46	216707800	Screw,PH ,8-32 x 1/2 ,wiring harness
47	216816700	Harness-lid/defrost
56	216694200	Cap,sig light seal
*	5303917276	Insulation-door,fiberglass ,(bulk)

CABINET

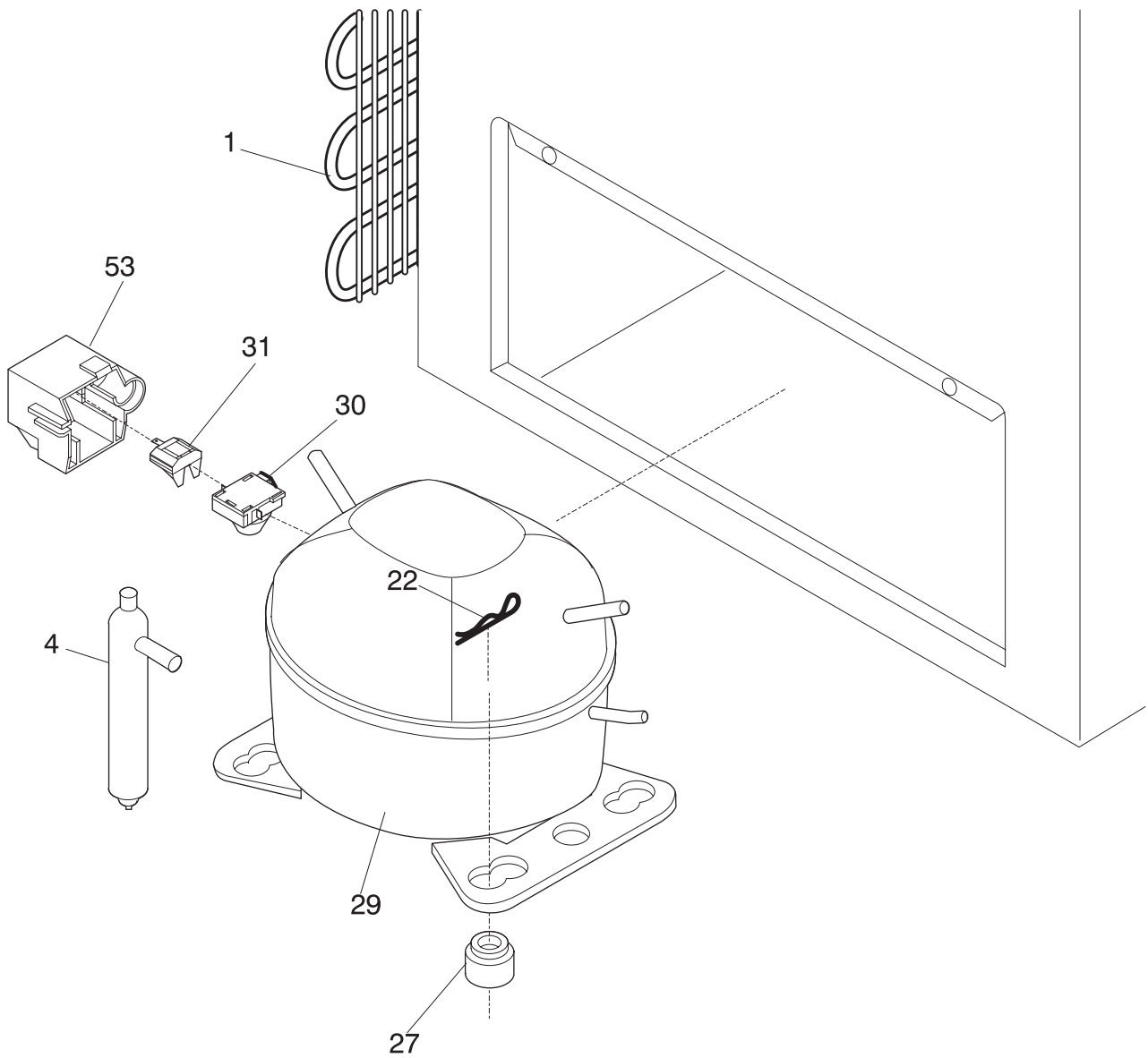
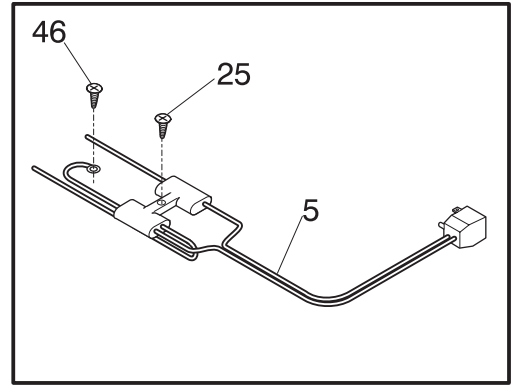
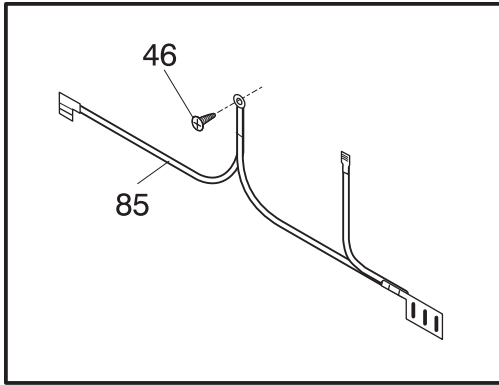


P08C0648

CABINET

POS. NO	PART NO	DESCRIPTION
1	216117700	Catch-lock
3	216502600	Plug,drain ,interior
4	216073900	Plug,drain ,exterior
6	216855704	Breaker-hinge side,white
7	216855705	Breaker-lock side,white
11	216855706	Breaker-ends,white
12A	216373000	Frame-nameplate
18	216707200	Knob,temp control
21 #	216787700	Control-temperature
27	216337700	Screw,hex washer head ,10-24 x 0.500
28	216478800	Hinge Assy
30	216105500	Breaker-corners,white
59	216848200	Basket
71	131168200	Screw,pan head ,8-18B x 0.31
75	216782000	Panel-access,white
*	5303305324	Paint,touch-up ,white
*	216794004	Energy Guide

SYSTEM



P08S0015

SYSTEM

POS. NO	PART NO	DESCRIPTION
1 #	5300120781	Condenser
4	216634500	Drier-filter
5 #	216927500	Harness,electrical ,w/light
22	216056400	Clip,compressor mtg ,SPRING
25	216707700	Screw,8-18 X 1/2
27	5308002681	Grommet,compressor
29 #	216888300	Compressor,w/o electricals
30	216888500	Starter,relay
31	216100113	Overload Protector
46	216707800	Screw,PH ,8-32 x 1/2 ,wiring harness
53	216347800	Cover terminal,cover-comp term
85	216818300	Wire-ground