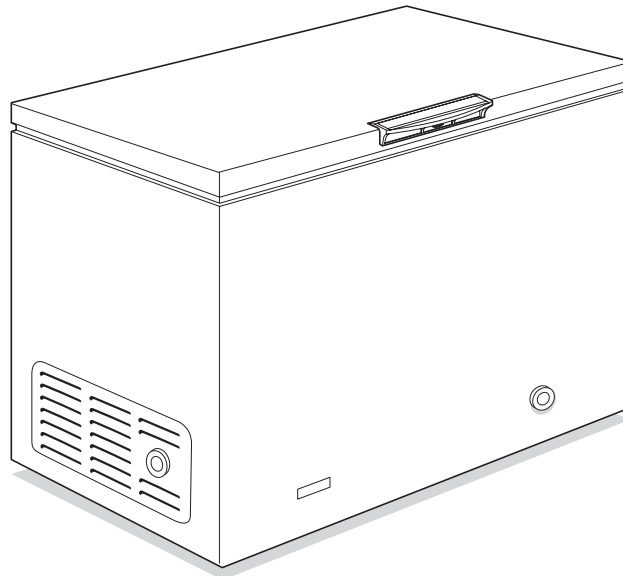


FACTORY PARTS CATALOG FREEZER

UNIVERSAL



PRODUCT NO.	BASE MODEL NO.	SERIES	COLOR	VOLTS
CFC13M5AW3	CFC13M5AW	134A	white	115
MARKET				
North America				

WIRING DIAGRAM - # 216908200
OWNER'S GUIDE - # 216760400 / ENERGY GUIDE - # 216794103
SERVICE DATA SHEET - # 216908200

ELECTROLUX HOME PRODUCTS, INC.
 P.O BOX 212378, AUGUSTA, GA 30917

Publication No.
 5995392882
 030717
 -EN/SERVICE /MLR
 365

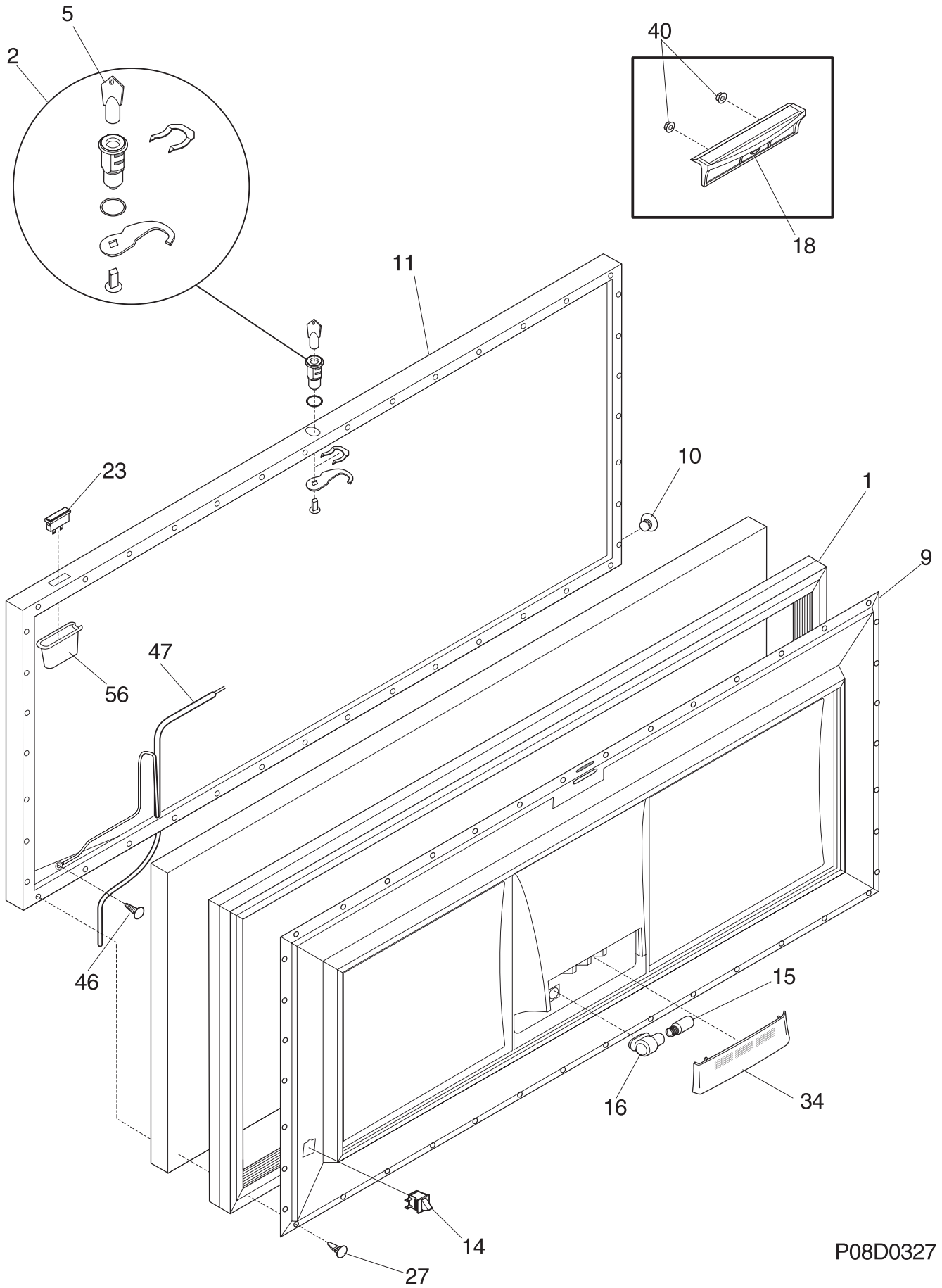
CHEST FREEZER

Base Model:

CFC13M5AW

©2003 Electrolux Home Products, Inc.
 All rights reserved

DOOR

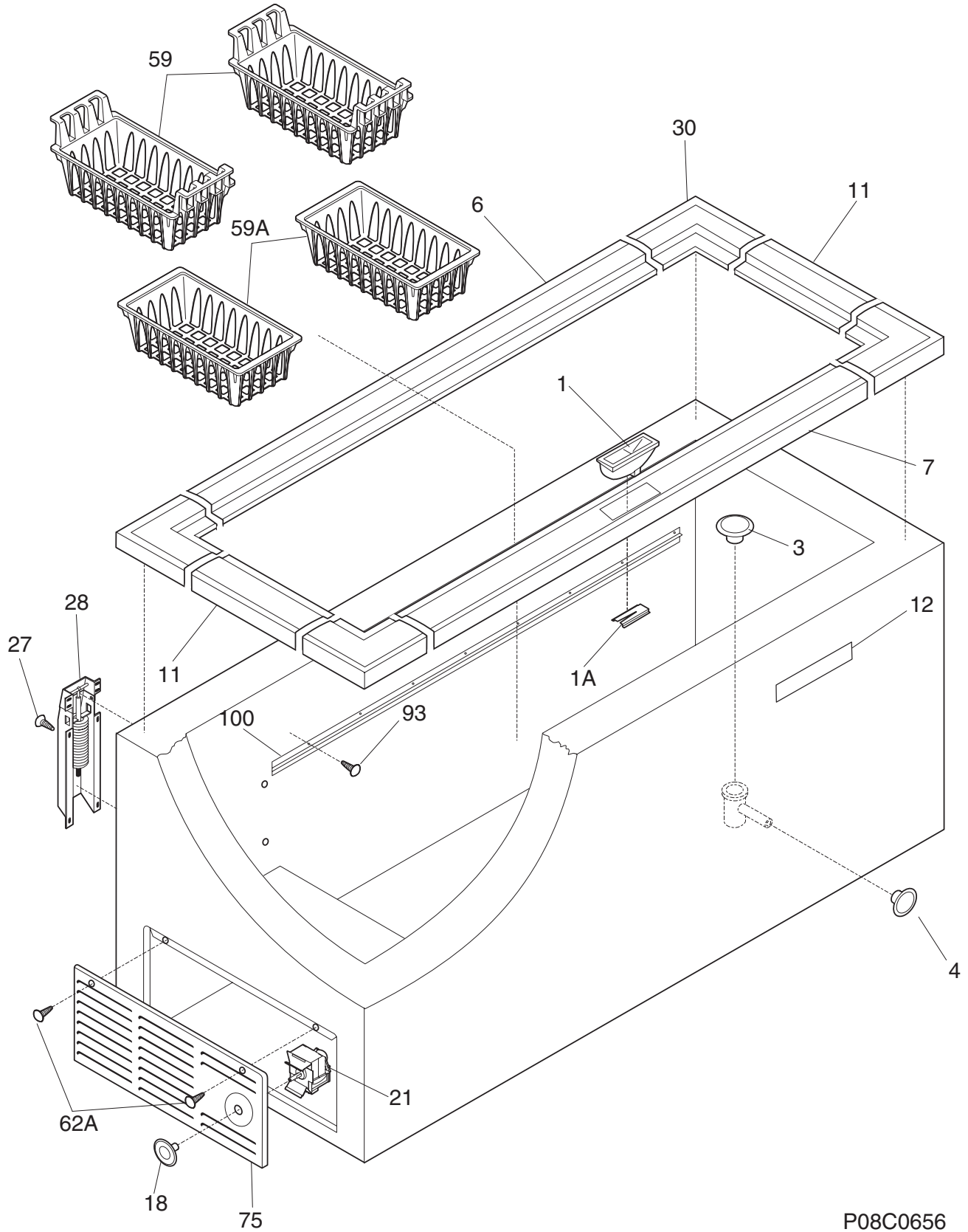


P08D0327

DOOR

POS. NO	PART NO	DESCRIPTION
1	216481101	Gasket-door,white
2	5303925107	Lock Assy
5 #	216702900	Key,lock
9	216828904	Panel-lid
10	216141101	Plug button,white
11	216129822	Panel-lid
14	216822900	Switch,light/lamp ,ramp
15	216846400	Light Bulb/Lamp
16	216817600	Socket,light/lamp ,25 W
18	216205001	Handle,white
23	5308002706	Light-signal,amber
27	5303212828	Clip,panel mtg
34	5303296969	Shield,lid lamp
40	5309948647	Fastener,handle
46	216707800	Screw,PH ,8-32 x 1/2 ,wiring harness
47 #	216819700	Harness-lid
56	216694200	Cap,sig light seal
*	5303917276	Insulation-door,fiberglass ,(bulk)

CABINET

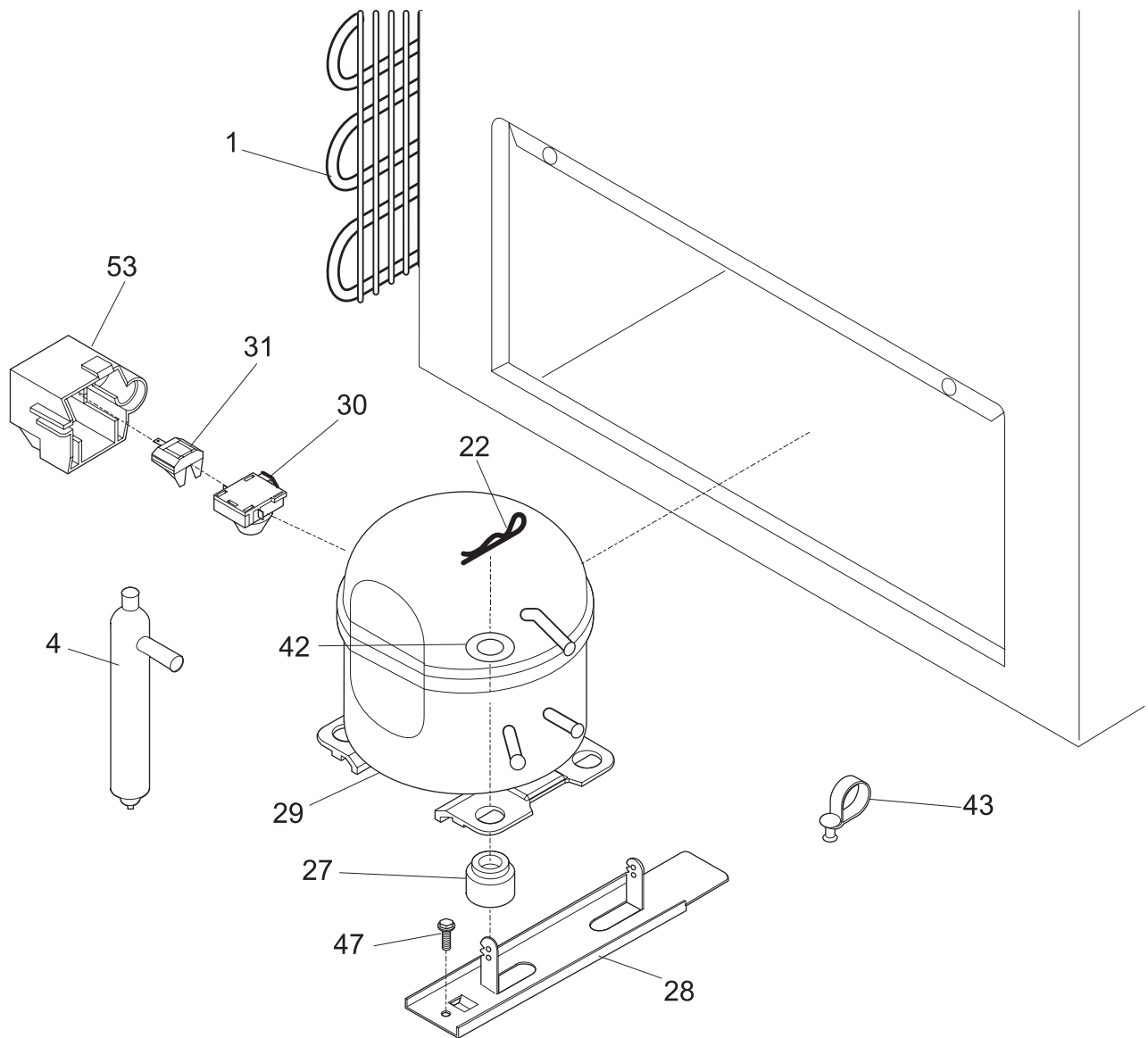
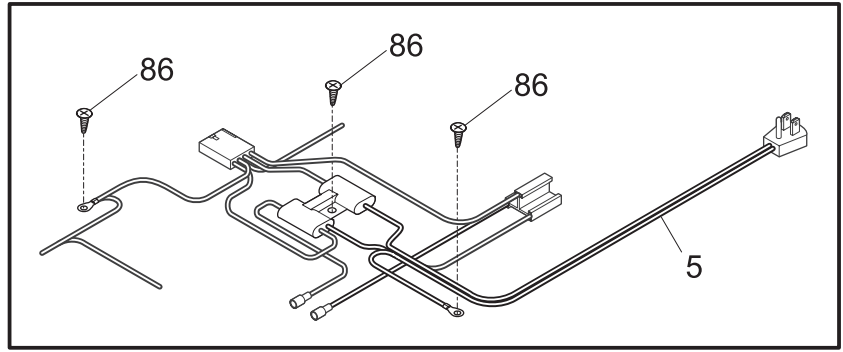


P08C0656

CABINET

POS. NO	PART NO	DESCRIPTION
1	216909800	Catch-lock,white
1A	216818900	Support,lock catch clip
3	216502600	Plug,drain ,interior
4	216073900	Plug,drain ,exterior
6	216110900	Breaker
7	216111500	Breaker,lock side
11	216110800	Breaker,chest end ,(2)
12	216373000	Frame-nameplate
18	216707200	Knob,temp control
21 #	216714601	Control temperature
27	216629600	Screw,hex washer head ,10-16 x 0.500 ,tapping
28	216039600	Hinge
30	216110700	Breaker,corners
59	216867300	Basket,upper ,(2)
59A	216867400	Basket,lower ,(2)
62A	131420300	Screw,cr truss head ,8-18AB x 0.750
75	216034301	Panel,access ,white
93	5303161215	Screw,ph truss head ,8-18AB x 0.500
100	216081500	Track,basket
*	5303305324	Paint,touch-up ,white
*	216794103	Energy Guide

SYSTEM



P08S0343

SYSTEM

POS. NO	PART NO	DESCRIPTION
1	5303925238	Condenser
4	216634500	Drier-filter
5 #	216906500	Harness-main
22	216056400	Clip,compressor mtg ,SPRING
27	5308002681	Grommet,compressor
28	5303212615	Support,compressor
29 #	216888100	Compressor,w/o electricals
30	216596800	Starter,relay
31 #	216100106	Overload Protector
42	216232700	Washer,flat ,1"OD x 0.531"ID
43	5303212614	Clip,harness mount
47	216629600	Screw,hex washer head ,10-16 x 0.500 ,tapping
53	216347800	Cover terminal,cover-comp term
86	216036600	Screw,ph washer head ,8-32CA x 0.500 ,thread forming