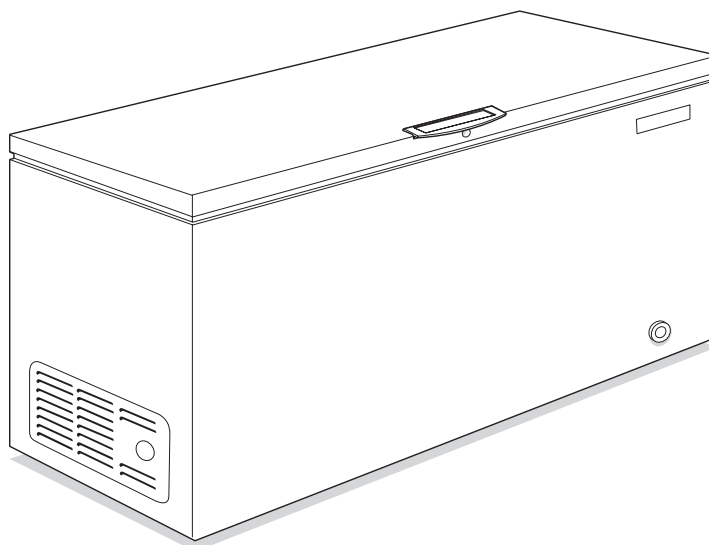


FACTORY PARTS CATALOG FREEZER

UNIVERSAL/MULTI-FLEX



PRODUCT NO.	BASE MODEL NO.	SERIES	COLOR	VOLTS
CFC13M6HW0	CFC13M6H	134A	white	115
MARKET				
North America				

WIRING DIAGRAM - # 216615900

OWNER'S GUIDE - # 216602400

MINI MANUAL - # 216615900

 **FRIGIDAIRE**
HOME PRODUCTS

101 Masters Blvd.
Anderson, SC 29624

Publication No.

5995321014

990414

-EN/SERVICE /GS
365

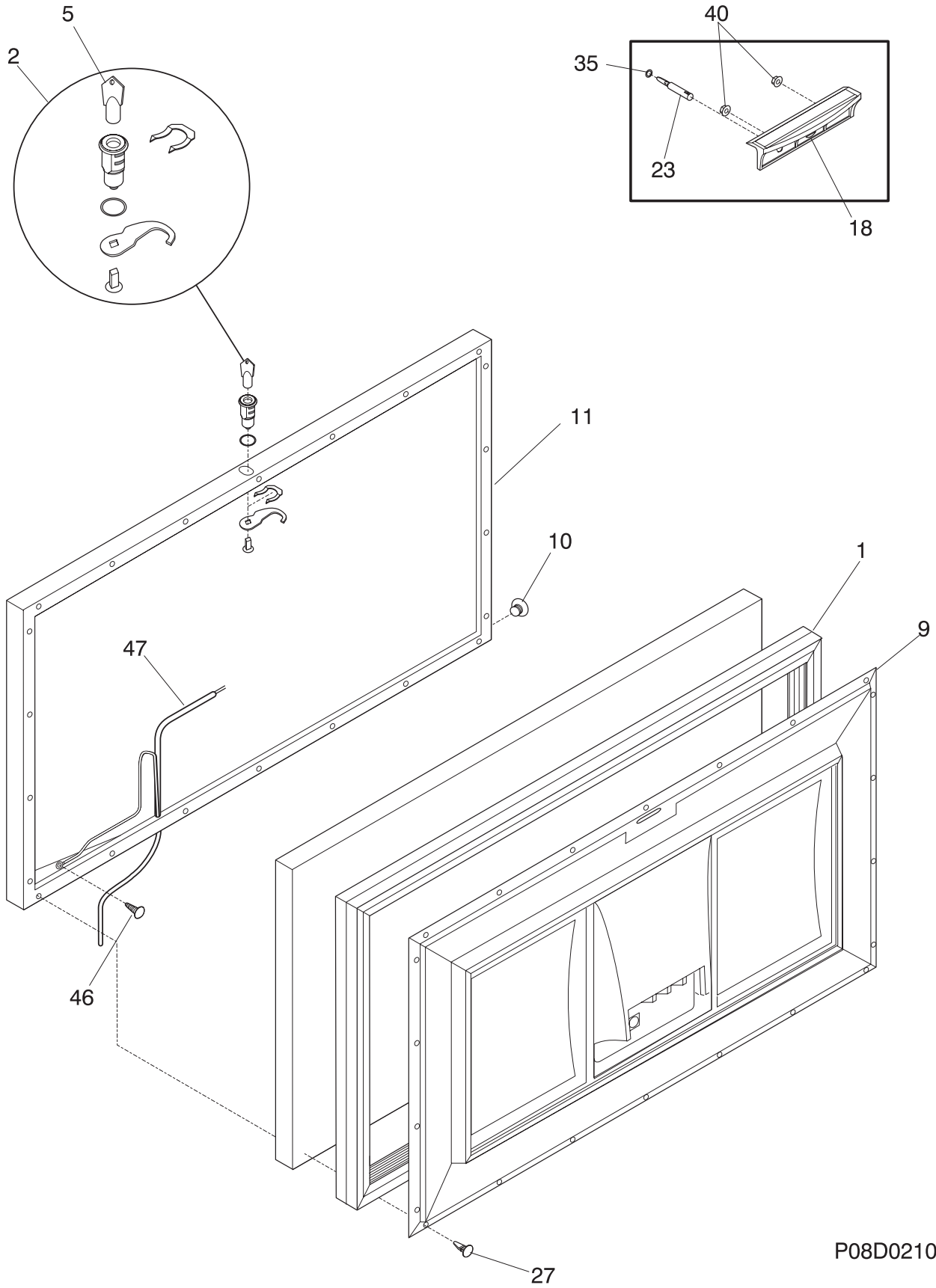
FREEZER

Model No.

CFC13M6HW0

©1999 White Consolidated Industries, Inc.
All rights reserved

DOOR

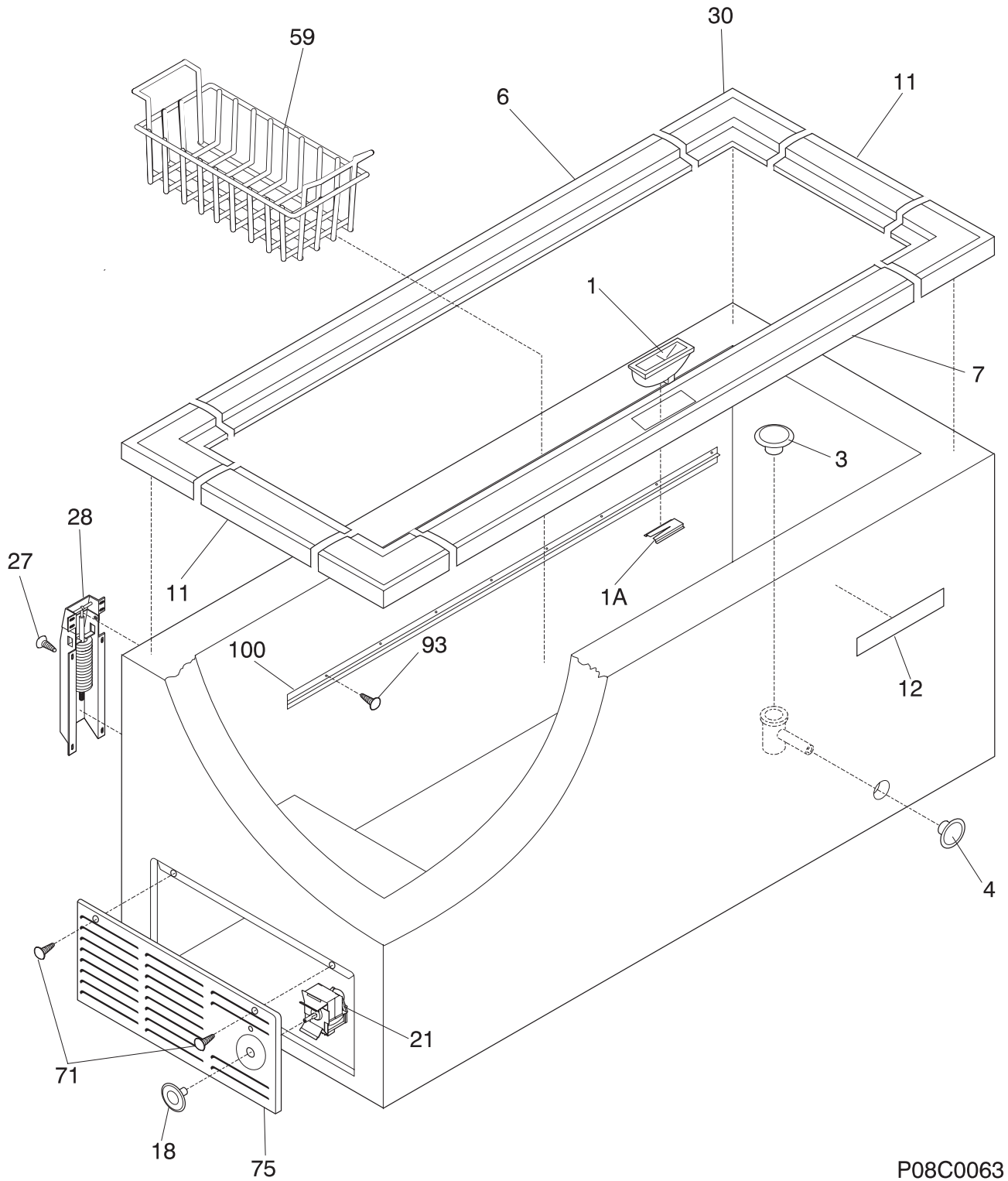


P08D0210

DOOR

POS. NO	PART NO	DESCRIPTION
1	216481101	Gasket-door,white
2 #	5303925107	Lock Assy
5 #	216388700	Key,lock
9	216056904	Panel-inner lid,white
10	216141101	Plug button,white
11	216129803	Panel-outer door/lid,white
18	216205004	Handle,white
23	216212700	Light-signal,amber
27	5303212828	Clip,panel
35	5303297015	Washer,signal light
40	5309948647	Fastener,handle
46	08037851	Screw,PH type AB ,8-32x1/2 ,wiring harness
47 #	216550200	Harness-lid/defrost
*	5303925098	Insulation

CABINET

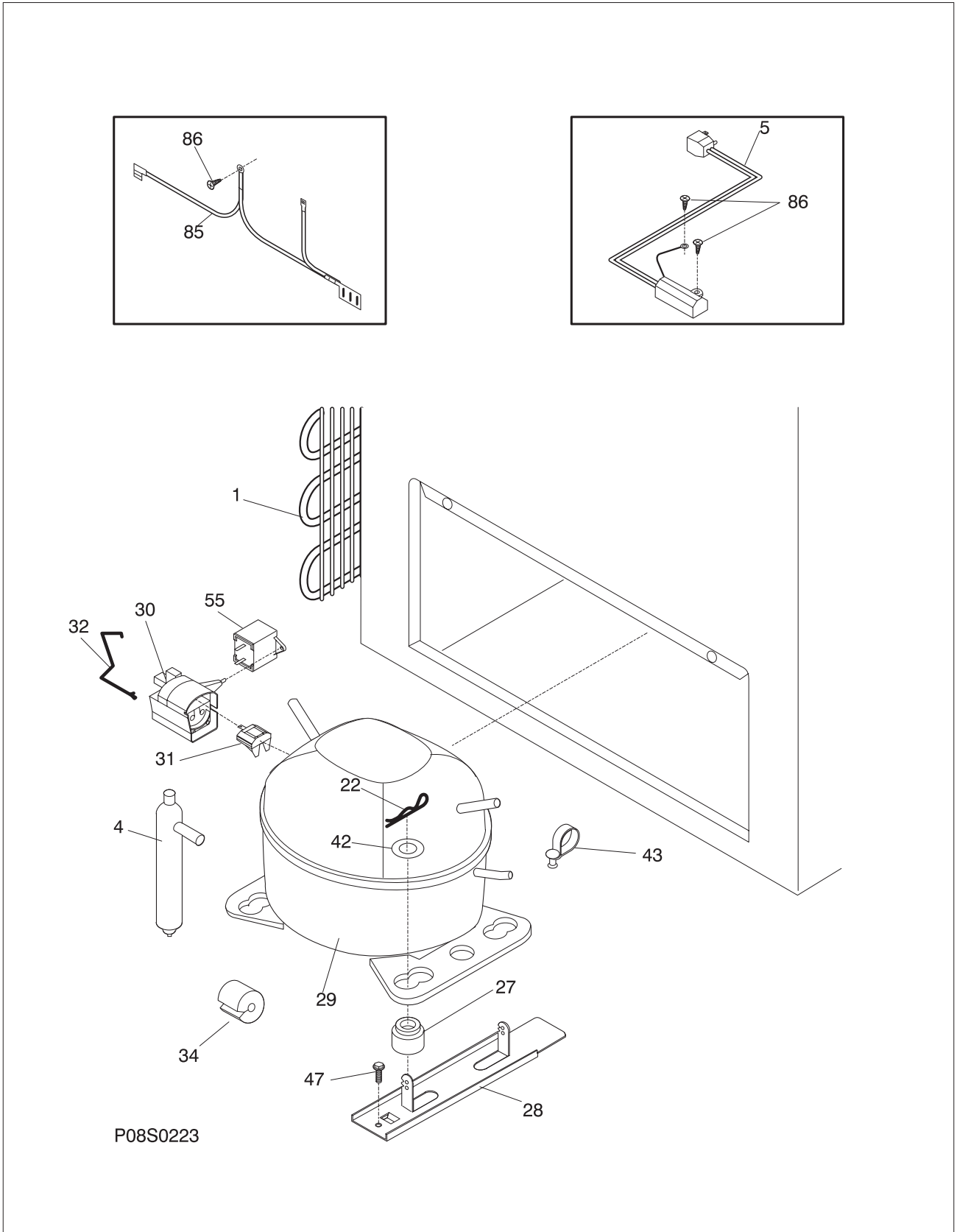


P08C0063

CABINET

POS. NO	PART NO	DESCRIPTION
1	5303208488	Latch-door
1A	216080800	Support,lock
3	216502600	Plug-drain,exterior
4	216073900	Plug-drain,interior
6	216110900	Breaker
7	216111500	Breaker,lock side
11	216110800	Breaker,white ,ends
12	216373000	Frame-nameplate
18	216591602	Knob,temp control
21 #	216532100	Control-temperature
27	216629600	Screw-hinge
28	216039600	Hinge
30	216110700	Breaker,white ,corners
59	216080300	Basket
59*	216080700	Basket,lower ,(2)
71	5303302714	Screw,8-18x3/4 ,(2)
75	216034301	Panel-access,white
93	5303161215	Screw
100	216081500	Track,basket
*	5303305324	Paint,touch-up ,white

SYSTEM



SYSTEM

POS. NO	PART NO	DESCRIPTION
1 #	5303925238	Condenser
4 #	216634500	Drier-filter
5 #	216551200	Harness-main
22	216056400	Clip-spring mtg
27	5308002681	Grommet,compressor
28	5303212615	Support-compressor
29 #	216511100	Compressor,w/o electricals
29 #	5303925441	Compressor,Service
30 #	216008900	Starter-PTC
31 #	216100114	Overload Protector
32	216147800	Wire-bale
34	5303298960	Spacer-compressor
42	216232700	Washer-flat
43	5303212614	Clip-harness
47	08016776	Screw-comp.ind hex wshr hd ,10-32T x 0.500,support
55	218909901	Capacitor-run,220 VAC ,15 microfarad
85	216533500	Wire,ground
86	216036600	Screw,rwhd (gx-ca) ,8-32 x 1/2
*	216478900	Fastener,energy guide