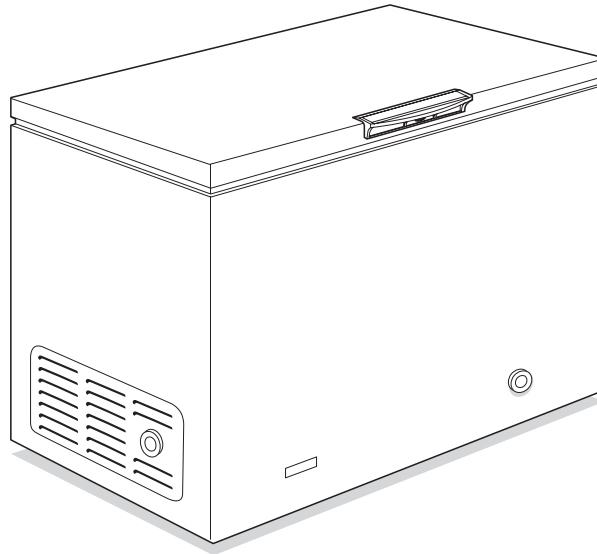


FACTORY PARTS CATALOG FREEZER

UNIVERSAL



PRODUCT NO.	BASE MODEL NO.	SERIES	COLOR	VOLTS
CFC13M7HW0	CFC13M7HW	134A	white	115
CFC13M7HW1	CFC13M7HW	134A	white	115
MARKET				
North America				

OWNERS GUIDE - 216768600
WIRING DIAGRAM - # 216760200
SERVICE DATA SHEET - #216760200

 Electrolux

ELECTROLUX HOME PRODUCTS NORTH AMERICA
P.O. BOX 212378, Augusta, GA 30917

Publication No.
5995348371
010112
-EN/SERVICE /GS
365

FREEZER

Model No.

CFC13M7HW

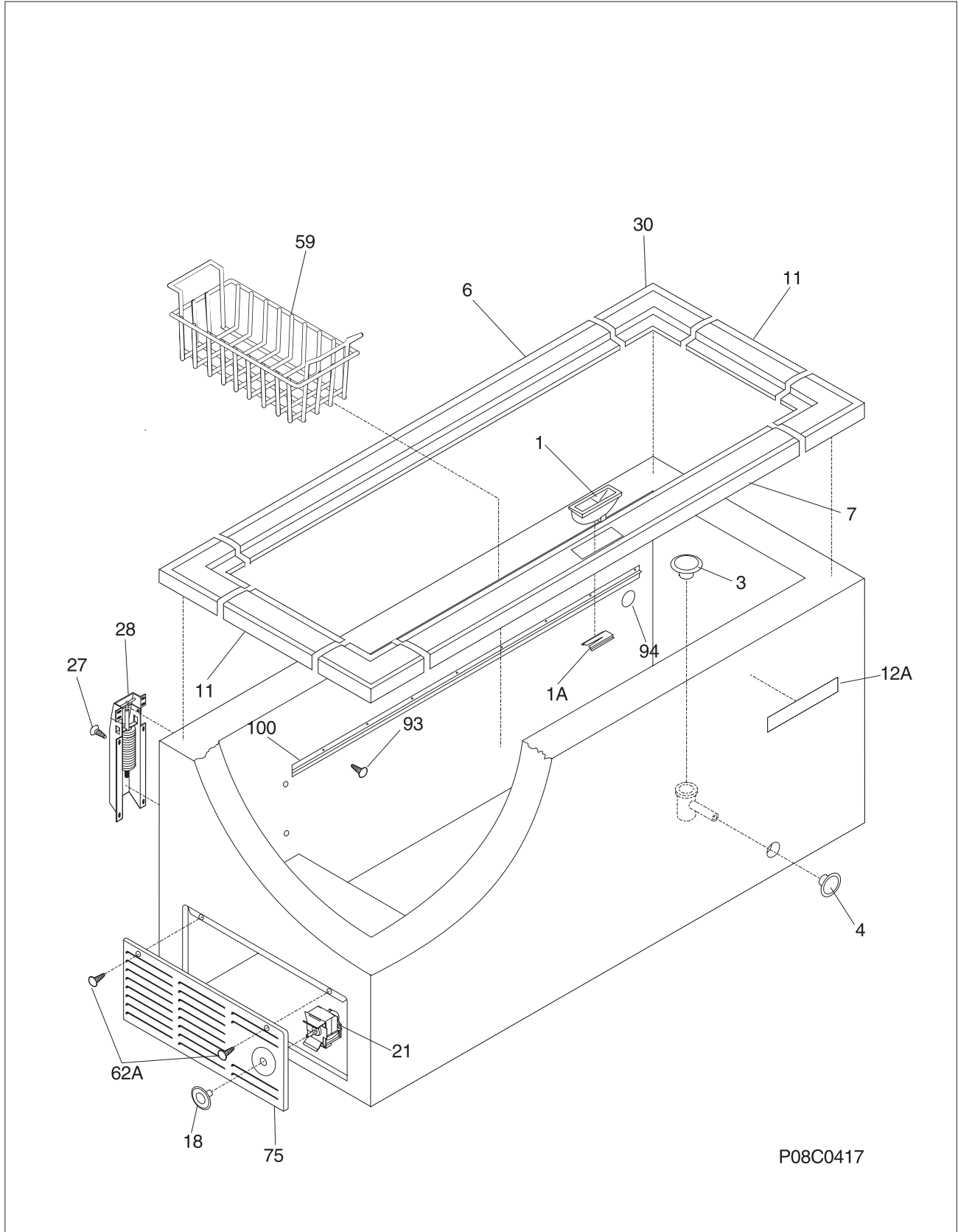
©2001 White Consolidated Industries, Inc.
All rights reserved

DOOR

A = CFC13M7 (CFC13M7HW0)
B = CFC13M7 (CFC13M7HW1)

POS. NO	PART NO		DESCRIPTION
1	216481101	A B	Gasket-door,white
2 #	5303925107	A B	Lock Assy
5 #	216702900	A B	Key,lock
9	216686604	A B	Panel-inner door,frzr
10	216141101	A B	Plug button,white
11	216129803	A B	Panel-outer door/lid,white
14	216472300	A B	Switch-light plunger
15	216608600	A B	Bulb-light,40W ,130V
16	216684000	A B	Socket-light/lamp
18	216205004	A B	Handle,white
23	216212700	A B	Light-signal,amber
27	5303212828	A B	Clip,panel
34	216160400	A B	Shield-light
35	5303297015	A B	Washer,signal light
36	5306599968	A B	Plate,backup ,light switch
40	5309948647	A B	Fastener,handle
46	08037851	A B	Screw,PH type AB ,8-32x1/2 , wiring harn
47	216772100	A B	Harness-lid/defrost
*	5303925098	A B	Insulation

CABINET



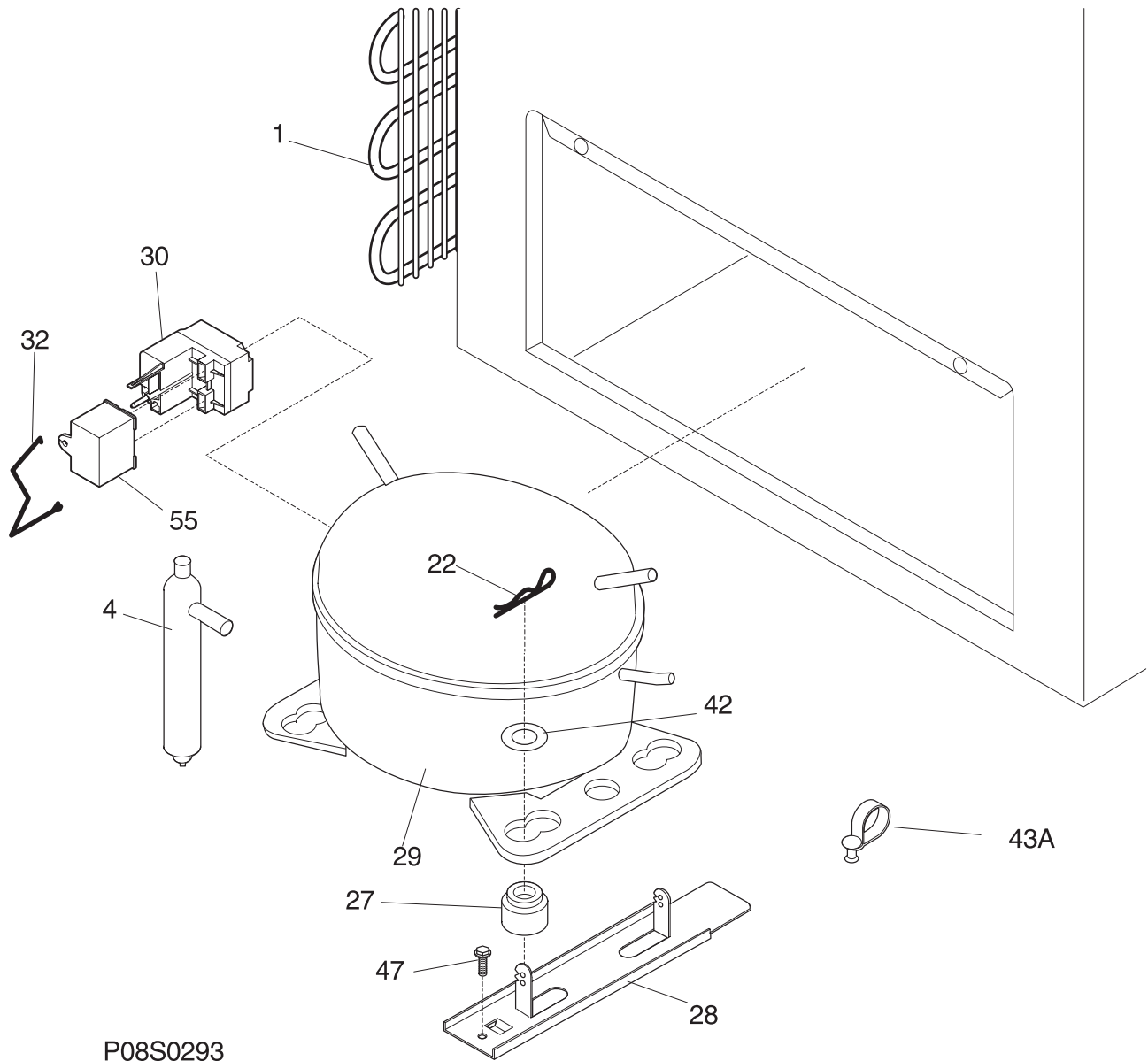
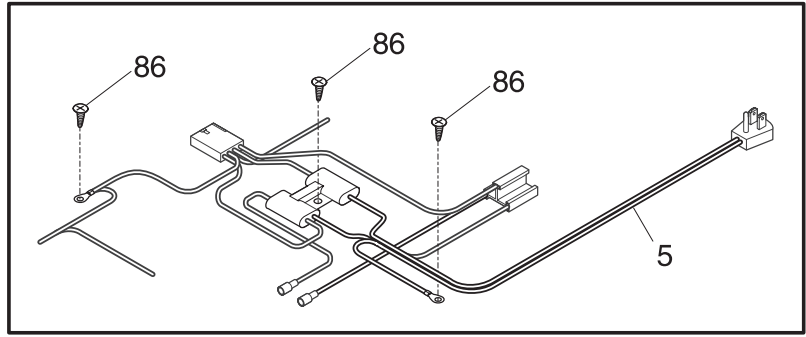
P08C0417

CABINET

A = CFC13M7 (CFC13M7HW0) B = CFC13M7 (CFC13M7HW1)
--

POS. NO	PART NO		DESCRIPTION
1	5303208488	A B	Latch-door
1A	216080800	A B	Support,lock
3	216502600	A B	Plug-drain,interior ,interior
4	216073900	A B	Plug-drain,exterior
6	216110900	A B	Breaker
7	216111500	A B	Breaker,lock side
11	216110800	A B	Breaker,white ,ends
12A	216373000	A B	Frame-nameplate
18	216591602	A -	Knob,temp control
18	216707200	- B	Knob-control
21 #	216532100	A -	Control-temperature
21 #	216714600	- B	Control-temperature
27	216629600	A B	Screw-hinge
28	216039600	A B	Hinge
30	216110700	A B	Breaker,white ,corners
59	216080300	A B	Basket
59*	216080700	A B	Basket,lower ,(2)
62A	131420300	A B	Screw,cr truss head ,8-18AB x 0.750
75	216034301	A B	Panel-access,white
93	5303161215	A B	Screw
100	216081500	A B	Track,basket
*	5303305324	A B	Paint,touch-up ,white

SYSTEM



P08S0293

SYSTEM

A = CFC13M7 (CFC13M7HW0)
B = CFC13M7 (CFC13M7HW1)

POS. NO	PART NO		DESCRIPTION
1 #	5303925238	A B	Condenser
4	216634500	A B	Drier-filter
5 #	216676500	A B	Harness-main
22	216056400	A B	Clip-spring mtg
27	5308002681	A B	Grommet,compressor
28	5303212615	A B	Support-compressor
29#	216511100	A B	Compressor,w/o electricals
30 #	216649301	A B	Controller
32	216649200	A B	Clip,controller
42	216232700	A B	Washer-flat
43A	5303212614	A B	Clip-harness
47	216629600	A B	Screw-hinge
55 #	218909901	A B	Capacitor-run,220 VAC ,15 microfarad
86	216036600	A B	Screw,rwhd (gx-ca) ,8-32 x 1/2
*	216478900	A B	Fastener,energy guide