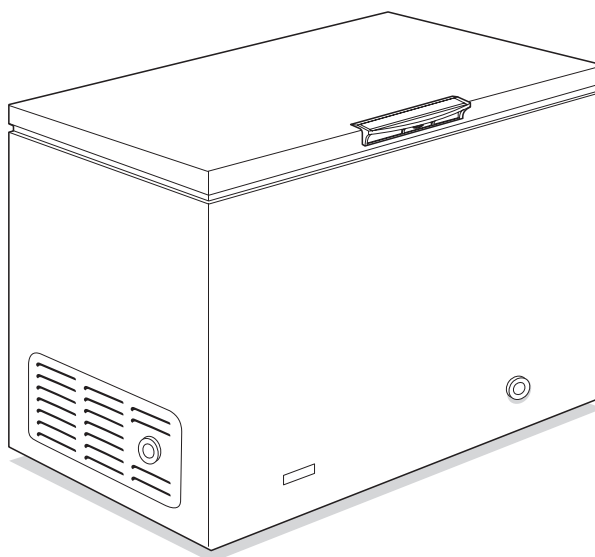


FACTORY PARTS CATALOG FREEZER

UNIVERSAL/MULTI-FLEX



PRODUCT NO.	BASE MODEL NO.	SERIES	COLOR	VOLTS
CFC13M4HW0	CFC13M4H	134A	white	115
CFC15M4HW0	CFC15M4H	134A	white	115
CFC20M4HW0	CFC20M4H	134A	white	115

MARKET

North American

WIRING DIAGRAM - # 216651600/216616100

OWNER'S GUIDE - # 216602400

MINI MANUAL - # 216651600/216616100

 **FRIGIDAIRE**
HOME PRODUCTS

Publication No.

5995319984

990323

-EN/SERVICE /GS

365

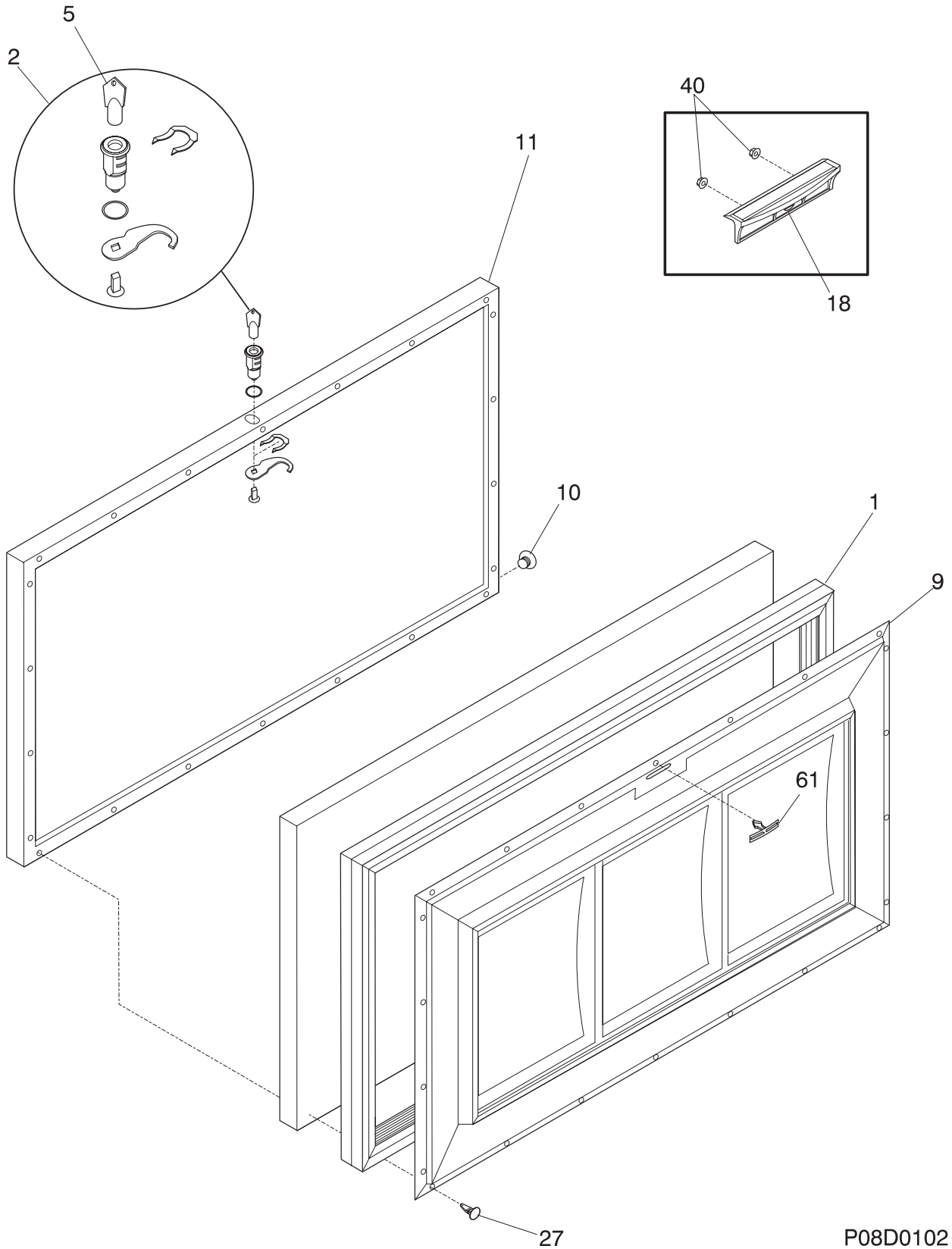
FREEZER

Model No.

CFC13M4HW0
CFC15M4HW0
CFC15M4HW0

©1999 White Consolidated Industries, Inc.
All rights reserved

DOOR



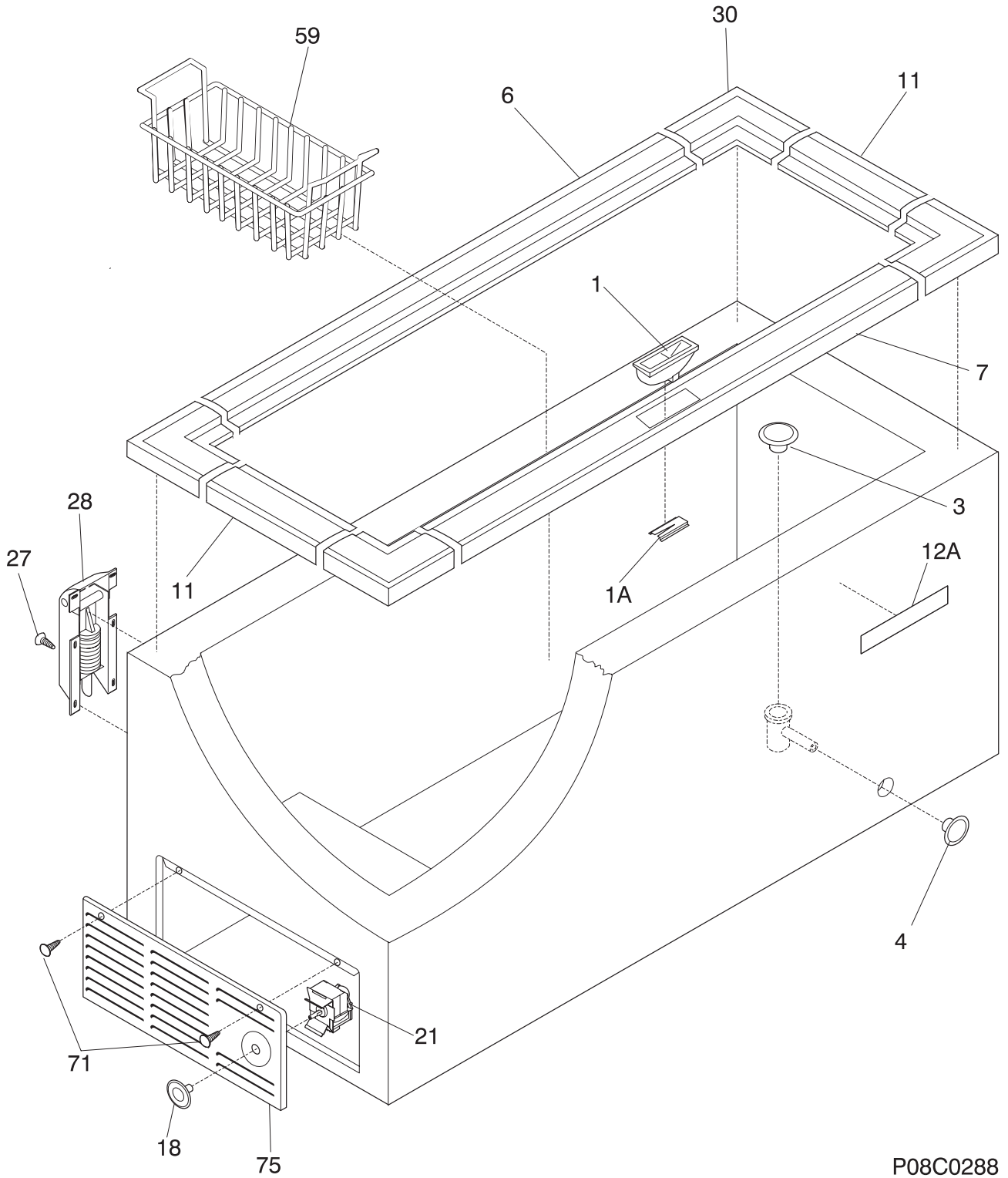
P08D0102

DOOR

A = CFC13M4HW (CFC13M4HW0)
B = CFC15M4HW (CFC15M4HW0)
C = CFC20M4HW (CFC20M4HW0)

POS. NO	PART NO		DESCRIPTION
1	216481101	A - -	Gasket-door,white
1	216481201	- B -	Gasket-door,white
1	216481401	- - C	Gasket-door,white
2 #	5303925107	A B C	Lock Assy
5 #	216388700	A B C	Key,lock
9	216056904	A - -	Panel-inner lid,white
9	216057804	- B -	Panel-inner lid,white
9	216059604	- - C	Panel-inner lid,white
10	216141101	A B C	Plug button,white
11	216129804	A - -	Panel-outer door,white
11	216129912	- B -	Panel-outer door/lid,white
11	216130106	- - C	Panel-outer lid,white
18	216205001	A B C	Handle,white
27	5303212828	A B C	Clip,panel
40	5309948647	A B C	Fastener,handle
61	5309948955	A - -	Clip-panel
*	5303308306	A B C	Plug-button
*	5303925098	A B C	Insulation

CABINET



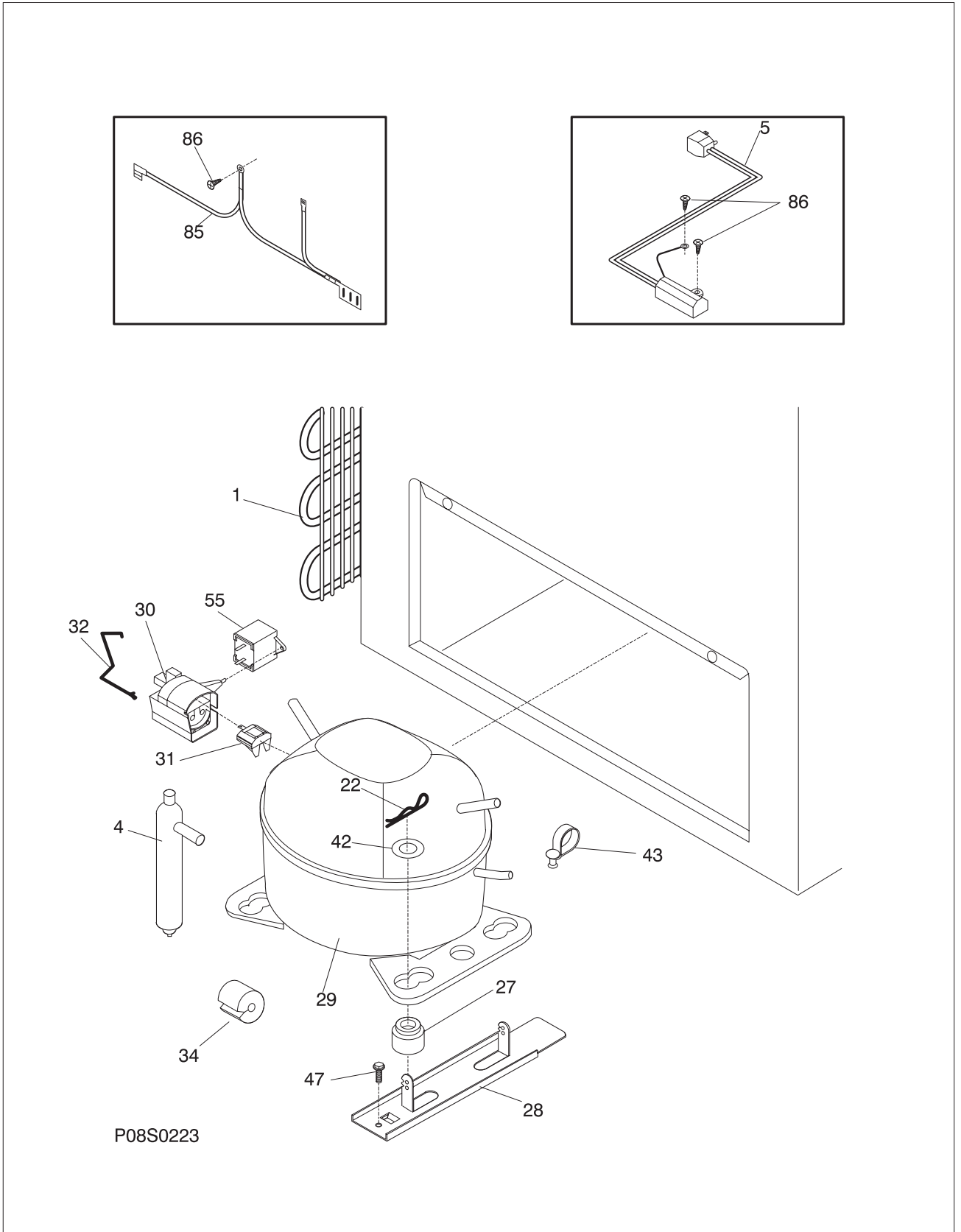
P08C0288

CABINET

A = CFC13M4HW (CFC13M4HW0)
B = CFC15M4HW (CFC15M4HW0)
C = CFC20M4HW (CFC20M4HW0)

POS. NO	PART NO		DESCRIPTION
1	5303208488	A B C	Latch-door
1A	216080800	A B C	Support,lock
3	216502600	A B C	Plug-drain,exterior
4	216073900	A B C	Plug-drain,interior
6	216110900	A - -	Breaker
6	216111000	- B -	Breaker,hinge side
6	216111200	- - C	Breaker,hinge side
7	216111500	A - -	Breaker,lock side
7	216111600	- B -	Breaker,lock side
7	216111800	- - C	Breaker,lock side
11	216110800	A B C	Breaker,white ,ends
12A	216373000	A B C	Frame-nameplate
18	216591602	A B C	Knob,temp control
21 #	216532100	A B C	Control-temperature
27	216629600	A B C	Screw-hinge
28	216039600	A - -	Hinge
28	216035200	- B -	Hinge
28	216035300	- - C	Hinge
30	216110700	A B C	Breaker,white ,corners
59	216080300	A B C	Basket
71	5303302714	A B C	Screw,8-18x3/4 ,(2)
75	216034301	A B C	Panel-access,white
*	5303305324	A B C	Paint,touch-up ,white

SYSTEM



SYSTEM

A = CFC13M4HW (CFC13M4HW0)
B = CFC15M4HW (CFC15M4HW0)
C = CFC20M4HW (CFC20M4HW0)

POS. NO	PART NO		DESCRIPTION
1 #	5303925238	A B -	Condenser
1 #	5303280307	- - C	Condenser
4	216634500	A B C	Drier-filter
5	216551600	A B C	Harness-wire
22	216056400	A B C	Clip-spring mtg
27	5308002681	A B C	Grommet,compressor
28	5303212615	A B C	Support-compressor
29 #	216511100	A B -	Compressor,w/o electricals
29 #	216470500	- - C	Compressor,Service
29 #	5303925441	A B -	Compressor,Service
29 #	5303925326	- - C	Compressor,R134a ,with overload
30 #	216008900	A B C	Starter-PTC
31 #	216100114	A B -	Overload Protector
31 #	216100108	- - C	Overload Protector
32	216147800	A B -	Wire-bale
32	216158300	- - C	Clip-starter
34	5303298960	- - C	Spacer-compressor
42	216232700	A B C	Washer-flat
43	5303212614	A B C	Clip-harness
47	08016776	A B C	Screw-compressor,ind hex wshr hd , 10-32T x 1/2,support
55	218909901	A B C	Capacitor-run,220 VAC ,15 microfarad
85	216533500	A B C	Wire,ground
86	216036600	A B C	Screw,rwhd (gx-ca) ,8-32 x 1/2
*	216478900	A B C	Fastener,energy guide