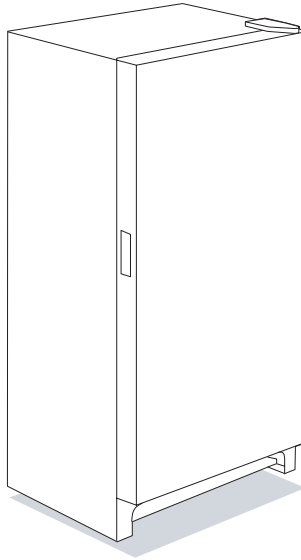


# FACTORY PARTS CATALOG FREEZER

## UNIVERSAL\MULTI-FLEX



PRODUCT NO.	BASE MODEL NO.	SERIES	COLOR	VOLTS
CFU09M2HW3	CFU09M2H	134A	white	115

**MARKET**

North America

WIRING DIAGRAM - # 216576600  
OWNER'S GUIDE - # 216602400  
SERVICE DATA SHEET - #216576600

 **FRIGIDAIRE**  
**HOME PRODUCTS**

101 Masters Blvd.  
Anderson, SC 29624

Publication No.  
5995333753  
000222  
-EN/SERVICE /GS  
365

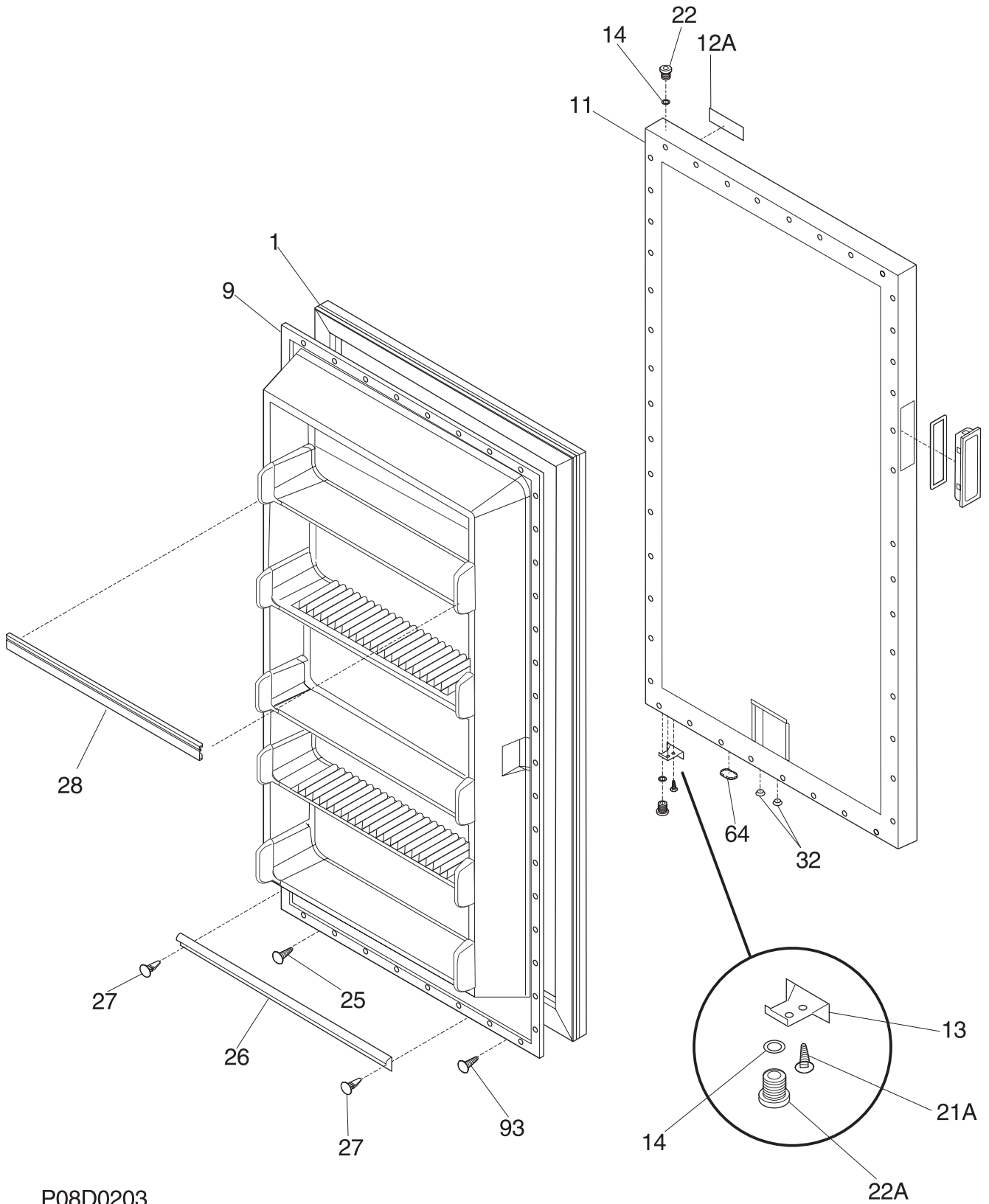
**FREEZER**

**Model No.**

**CFU09M2H**

©2000 White Consolidated Industries, Inc.  
All rights reserved

DOOR

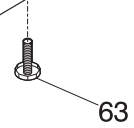
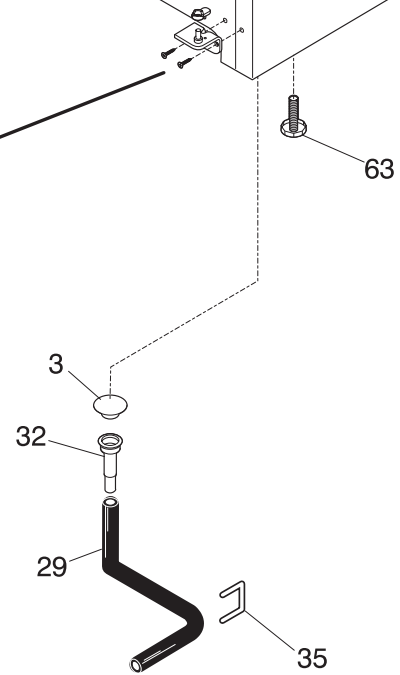
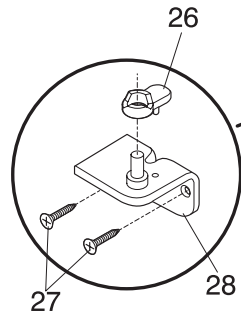
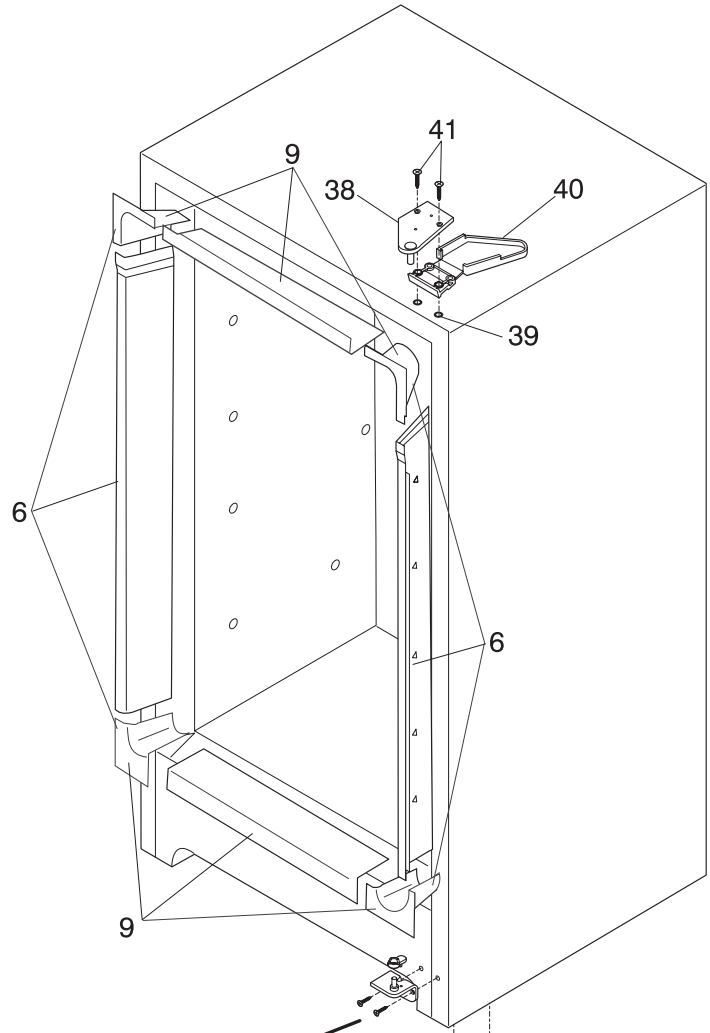
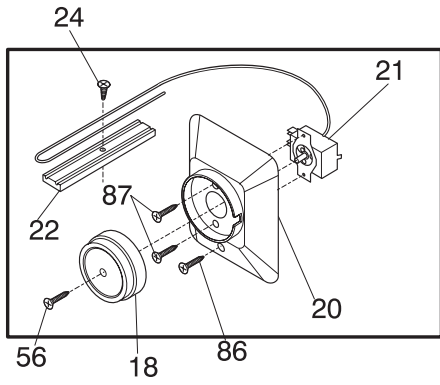


P08D0203

## DOOR

POS. NO	PART NO	DESCRIPTION
1	216522300	Gasket-door
9	216527205	Panel-inner door,frzr
11	216564201	Panel-outer door,white
12A	216373000	Frame-nameplate
13	08016354	Door Stop
14	5303313518	Washer,sealing
21A	08005520	Screw-door stop mtg,flat hd metric , 4.0 x 0.7-19.7
22	216443600	Bearing
22A	216503200	Bearing-hinge,btm
25	216022800	Screw,washer head ,8-18 X 1/2
26	216524400	Gasket-secondary
27	5303212828	Clip,panel
28	216523500	Rack-shelf,wide ,white
32	5309950074	Valve-breather
64	216403700	Plug-button,base door
93	5303161215	Screw

CABINET

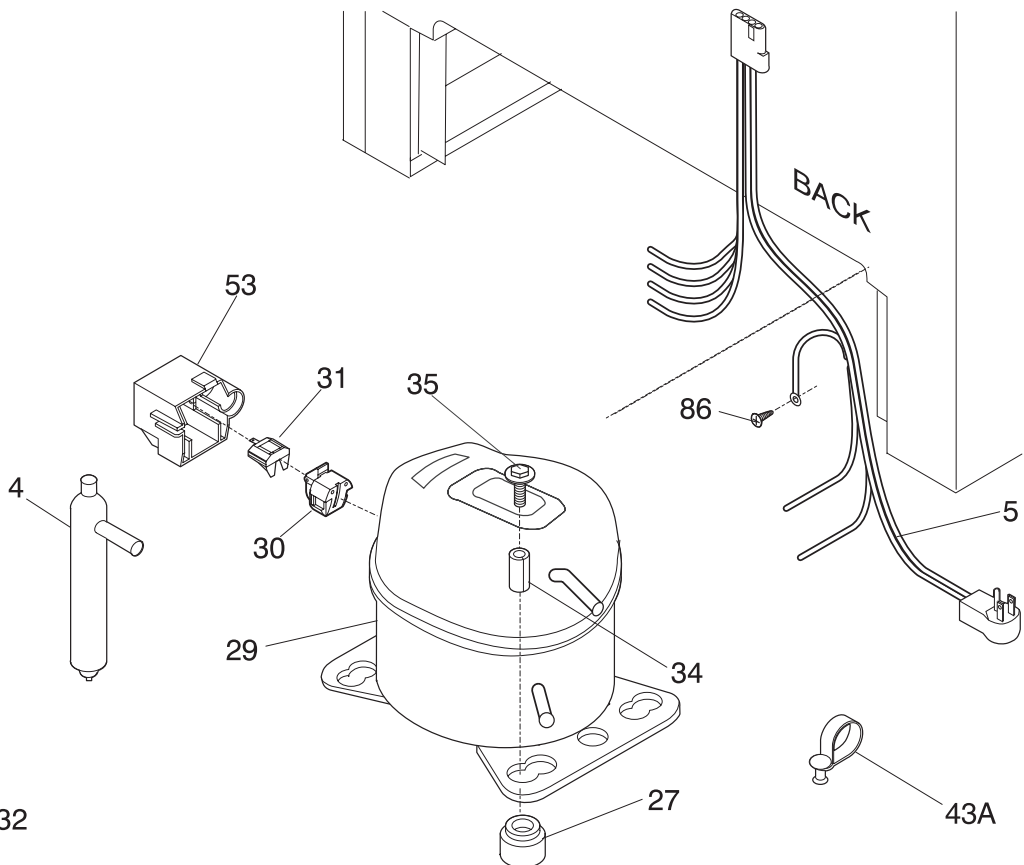
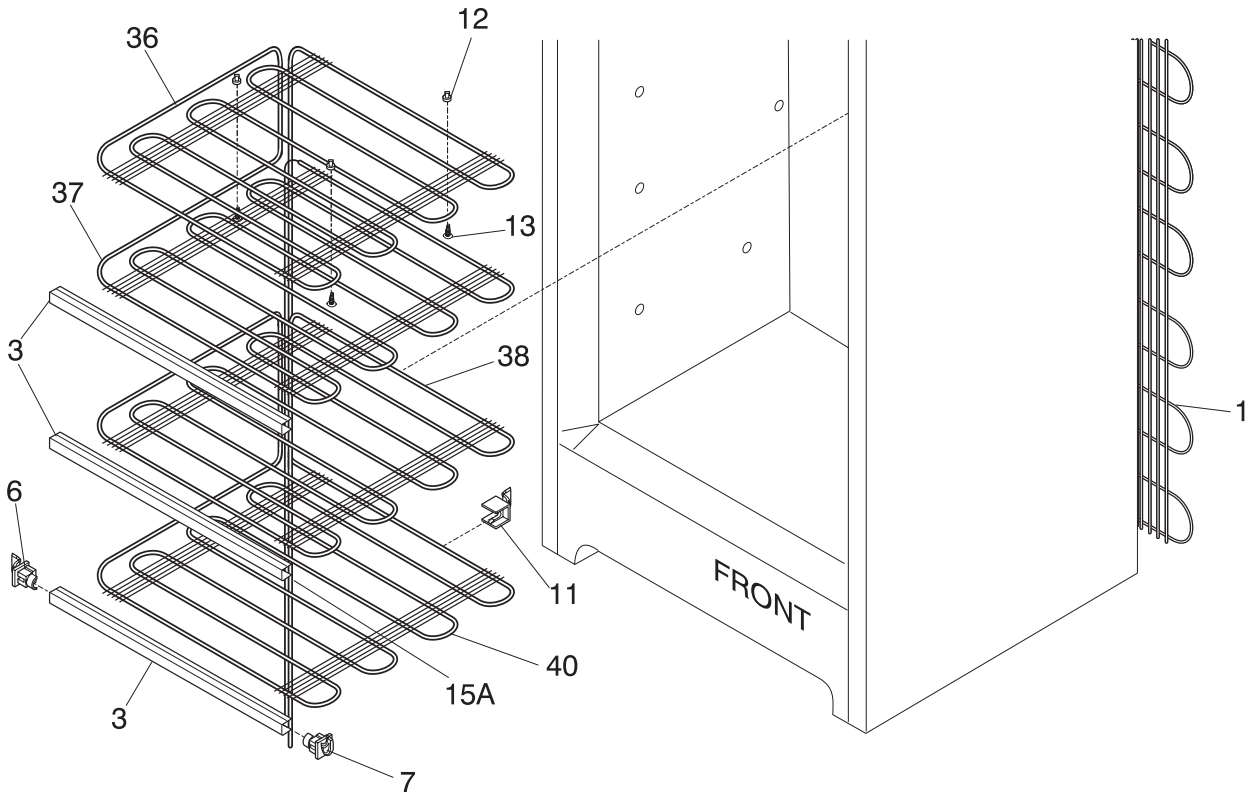


P08C0311

## CABINET

POS. NO	PART NO	DESCRIPTION
3	216502600	Plug-drain,interior
6	216604500	Breaker,hinge side
9	216603500	Breaker,top
18	216591802	Knob,temp control
20	5303288184	Cover-control housing
21	216620100	Control-temperature
22	08037931	Clamp,cap tube ,cold control
24	5300052943	Screw-clamp,truss hd cr ,control
26	216503300	Ramp,closer ,door
27	5303205738	Screw-hinge,cr ,1/4-20 x 1.000 ,btm
28	216247400	Hinge-bottom
29	216313500	Hose-drain
32	5308005500	Drain
35	216273000	Clip,drain hose
38	5303925086	Hinge-upper
39	5303294372	Nut-insert,hinge
40	5303212912	Cover-hinge
41	5303212937	Screw-top hinge
56	09950853	Screw-control knob,phillips ,4-40 x 3/8
63	216396900	Foot-adjustable
86	216036600	Screw,rwhd (gx-ca) ,8-32 x 1/2
87	08037849	Screw
*	09948773	Insulation,drain tube
*	5303305324	Paint,touch-up ,white

SYSTEM



## SYSTEM

POS. NO	PART NO	DESCRIPTION
1 #	5303304537	Condenser
3	216097700	Trim-shelf,evaporator
4	216634500	Drier-filter
5 #	216555500	Wiring-electrical,main
6	3091418	Support-shelf,front LH
7	08037928	Support-shelf,front RH
11	216474600	Support-rear shelf
12	216225700	Grommet-spacer
13	216138900	Screw,hex sems ,8-18AB x 1.00 ,evap
15A	216404900	Heat Exchanger
27	216498900	Grommet,compressor
29 #	5303925442	Compressor,w/electricals
29	216510900	Compressor,R134a ,w/electricals
30	216511200	Starter
31	216100113	Overload Protector
34	5306594529	Sleeve-compressor
35	5303272328	Screw,Ind hex sems ,1/4-28 unfx , compressor
36 #	216069300	Grid-top evaporator
37 #	216069400	Shelf-top evaporator
38 #	216069500	Shelf-middle evaporator
40 #	216069600	Shelf-bottom evaporator
43A	216629700	Clip-harness
53	216347800	Cover,compressor
86	216036600	Screw,rwhd (gx-ca) ,8-32 x 1/2