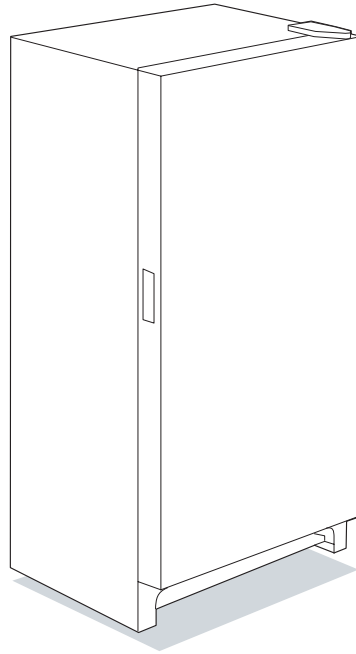


# FACTORY PARTS CATALOG FREEZER

## MULTIFLEX\UNIVERSAL



PRODUCT NO.	BASE MODEL NO.	SERIES	COLOR	VOLTS
CFU09M2HW4	CFU09M2H	134A	white	115
<b>MARKET</b>				
North America				

WIRING DIAGRAM - # 216576600  
 OWNER'S GUIDE - # 216760400  
 SERVICE DATA SHEET - # 216576600

 **FRIGIDAIRE**  
**HOME PRODUCTS**

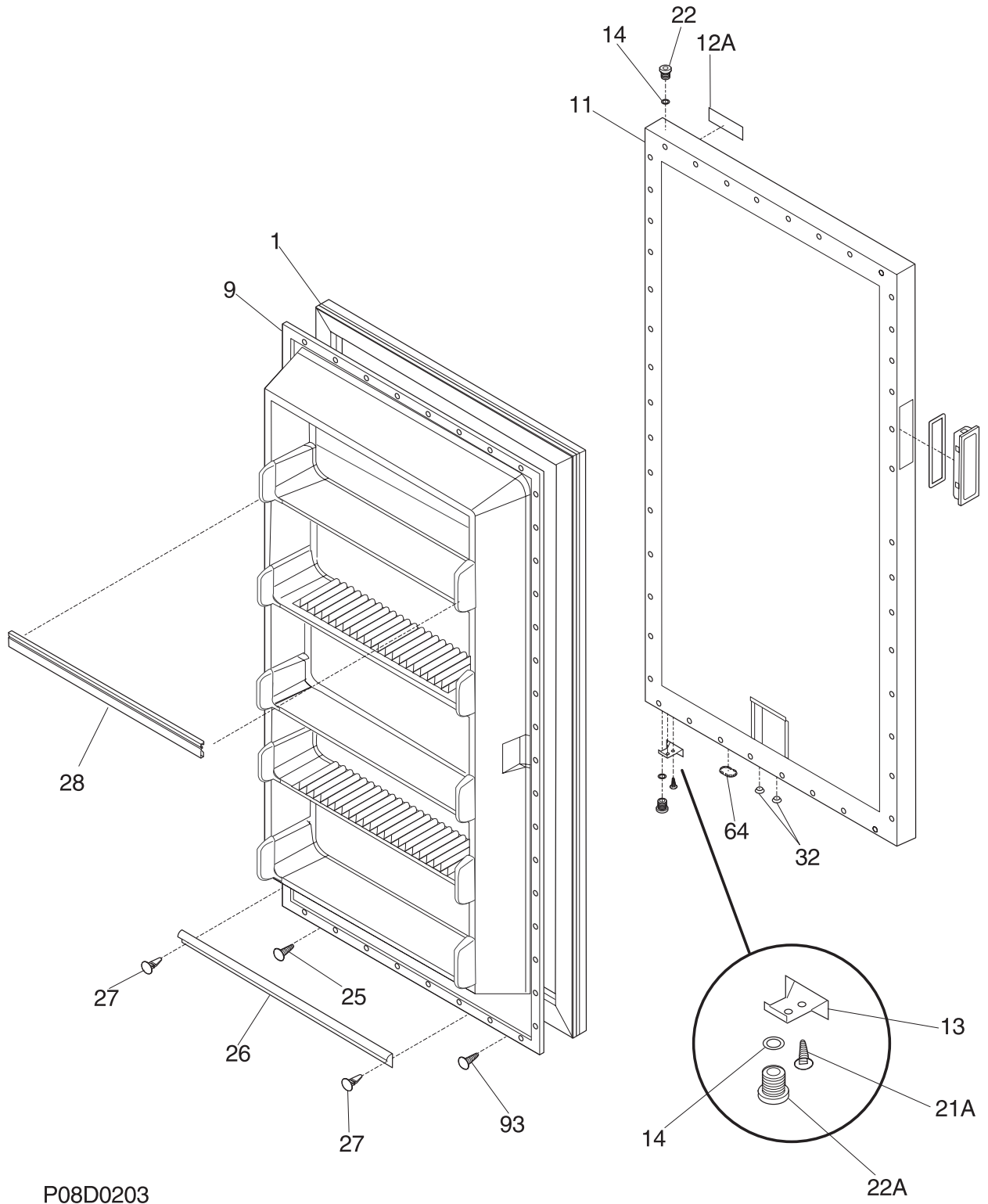
101 Masters Blvd.  
 Anderson, SC 29624

Publication No.  
 5995344743  
 001012  
 -EN/SERVICE /ECL  
 365

**FREEZER**  
 Model No.  
**CFU09M2HW4**

©2000 White Consolidated Industries, Inc.  
 All rights reserved

DOOR

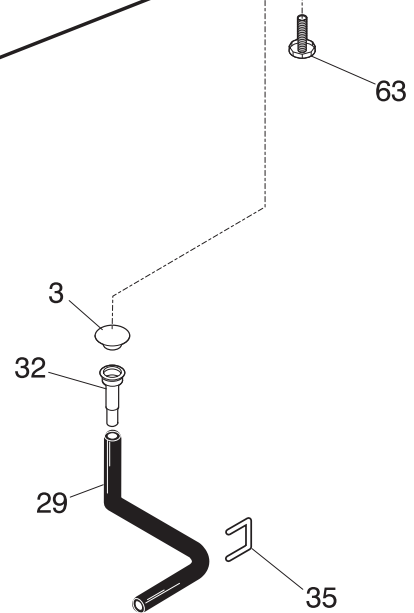
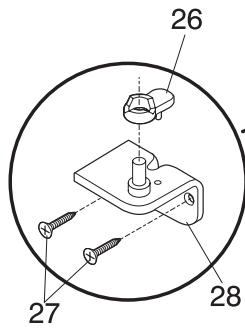
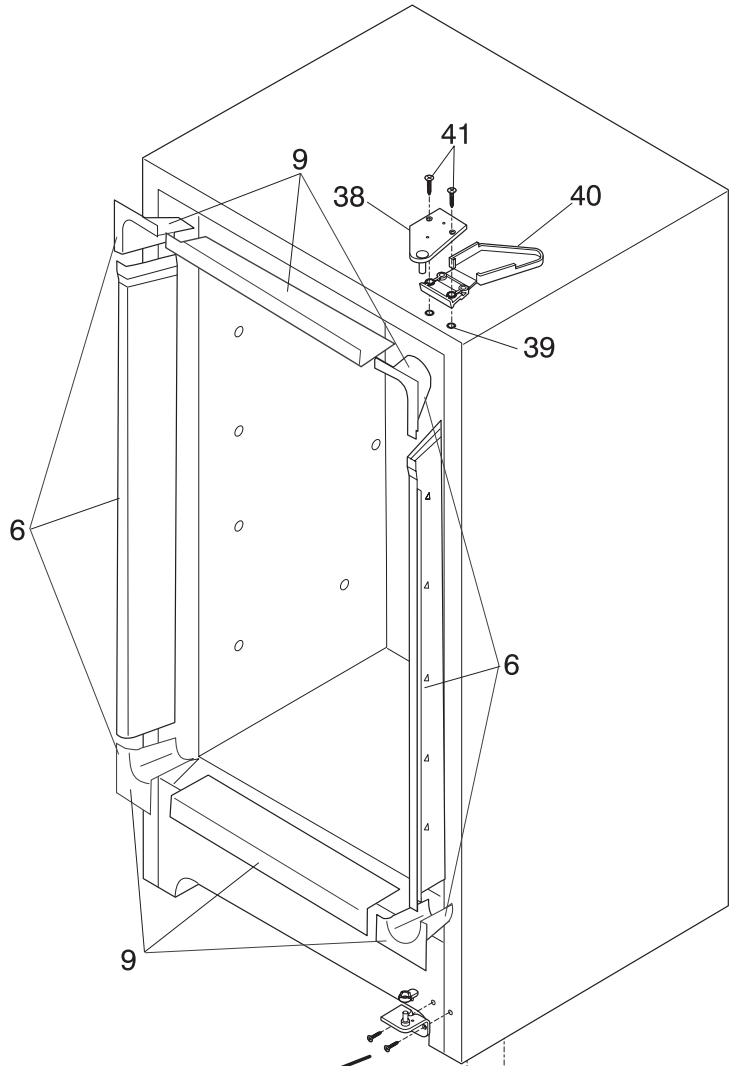
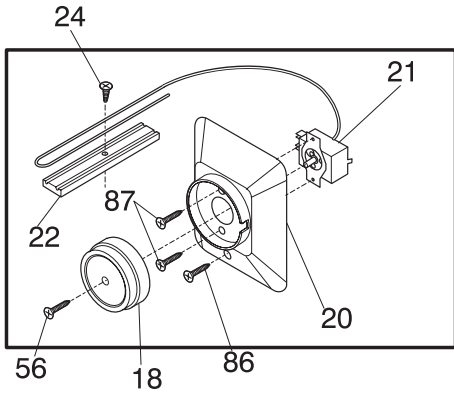


P08D0203

## DOOR

POS. NO	PART NO	DESCRIPTION
1	216522300	Gasket-door
9	216527205	Panel-inner door,frzr
11	216564201	Panel-outer door,white
12A	216373000	Frame-nameplate
13	08016354	Door Stop
14	5303313518	Washer,sealing
21A	08005520	Screw-door stop mtg,flat hd metric ,4.0 x 0.7-19.7
22	216443600	Bearing
22A	216503200	Bearing-hinge,btm
25	216022800	Screw,washer head ,8-18 X 1/2
26	216524400	Gasket-secondary
27	<a href="#">5303212828</a>	Clip,panel
28	216523500	Rack-shelf,wide ,white
32	5309950074	Valve-breather
64	<a href="#">216403700</a>	Plug-button,base door
93	5303161215	Screw

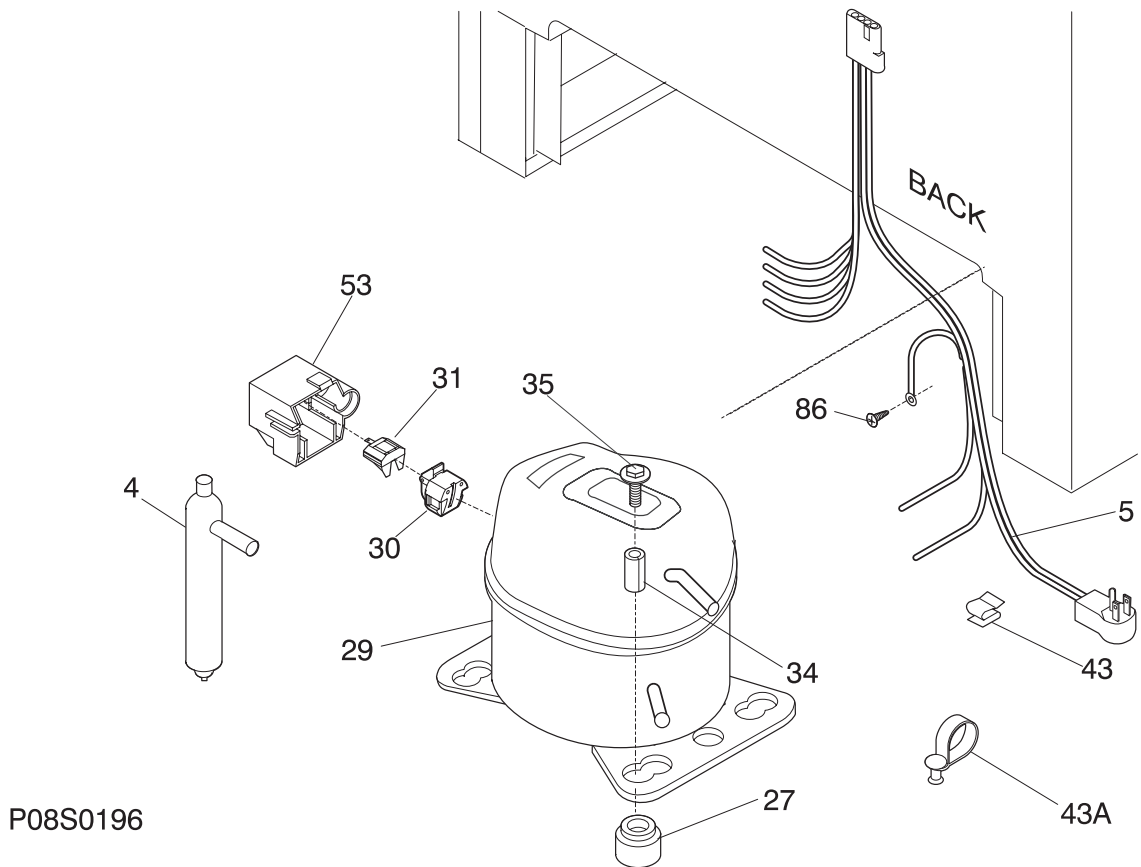
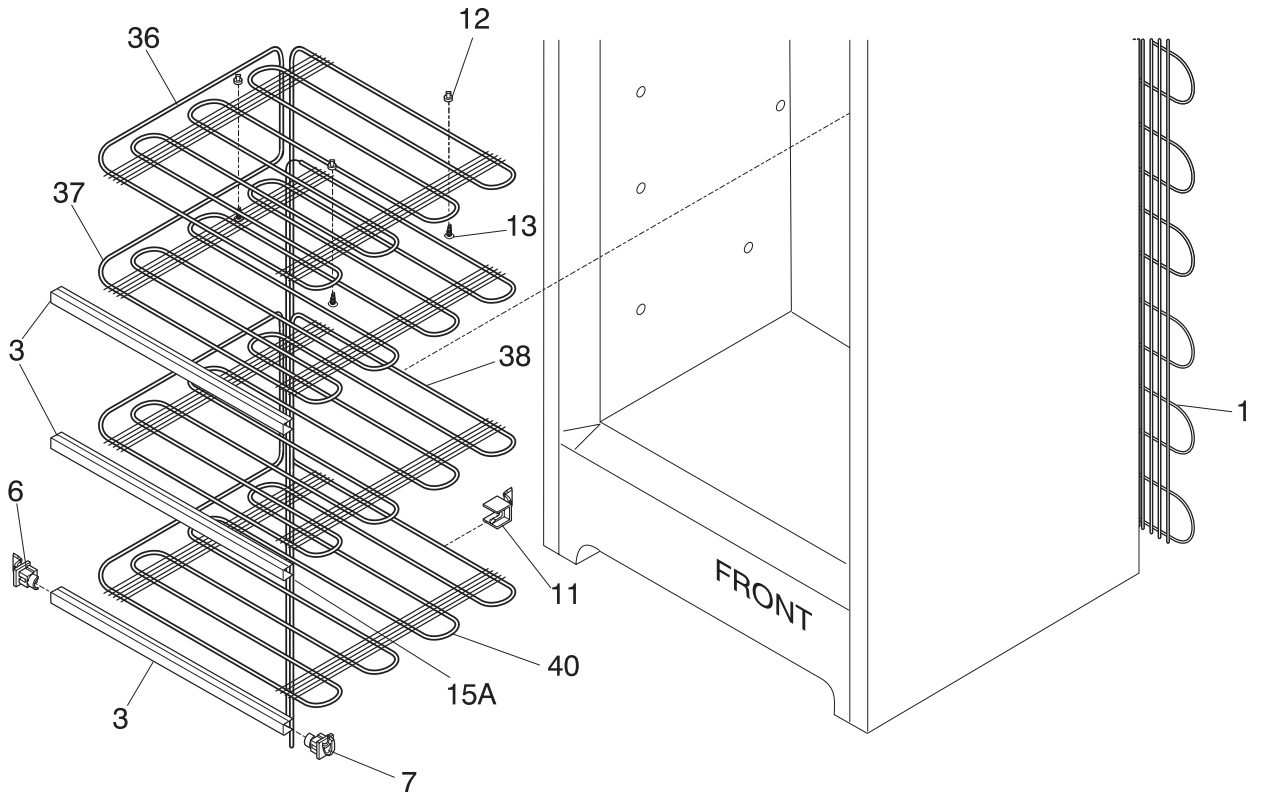
CABINET



## CABINET

POS. NO	PART NO	DESCRIPTION
3	216502600	Plug-drain,interior
6	216604200	Breaker Kit w/corners
9	216603500	Breaker,top
18	216591802	Knob,temp control
20	5303288184	Cover-control housing
21	216620100	Control-temperature
22	08037931	Clamp,cap tube ,cold control
24	5300052943	Screw-clamp,truss hd cr ,control
26	216503300	Ramp,closer ,door
27	5303205738	Screw-hinge,cr ,1/4-20 x 1.000 ,btm
28	216247400	Hinge-bottom
29	216313500	Hose-drain
32	5308005500	Drain
35	216273000	Clip,drain hose
38	5303925086	Hinge-upper
39	5303294372	Nut-insert,hinge
40	5303212912	Cover-hinge
41	5303212937	Screw-top hinge
56	09950853	Screw-control knob,phillips ,4-40 x 3/8
63	216396900	Foot-adjustable
86	216036600	Screw,rwhd (gx-ca) ,8-32 x 1/2
87	08037849	Screw
*	09948773	Insulation,drain tube
*	5303305324	Paint,touch-up ,white

SYSTEM



P08S0196

## SYSTEM

POS. NO	PART NO	DESCRIPTION
1 #	5303304537	Condenser
3	216742900	Trim-shelf,evaporator
4	216634500	Drier-filter
5 #	216766000	Harness-main
6	3091418	Support-shelf,front LH
7	08037928	Support-shelf,front RH
11	216474600	Support-rear shelf
12	216225700	Grommet-spacer
13	216138900	Screw,hex sems ,8-18AB x 1.00 ,evap
15A	216404900	Heat Exchanger
27	216498900	Grommet,compressor
29 #	216681000	Compressor,w/ electricals
30	216681100	Starter
31	216100118	Overload Protector
34	5306594529	Sleeve-compressor
35	5303272328	Screw,Ind hex sems ,1/4-28 unfx ,compressor
36 #	216069300	Grid-top evaporator
37 #	216069400	Shelf-top evaporator
38 #	216069500	Shelf-middle evaporator
40 #	216069600	Shelf-bottom evaporator
43	08016777	Clamp,pwr cord assy
43A	216629700	Clip-harness
53	216347800	Cover,compressor
86	216036600	Screw,rwhd (gx-ca) ,8-32 x 1/2