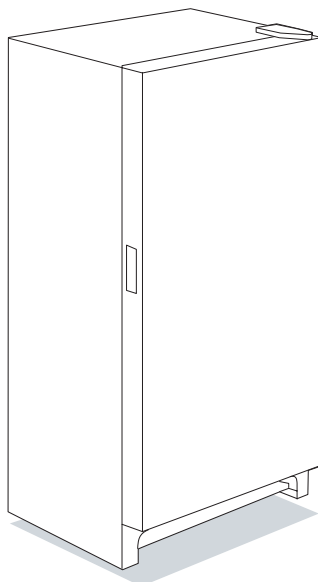


FACTORY PARTS CATALOG FREEZER

UNIVERSAL



PRODUCT NO.	BASE MODEL NO.	SERIES	COLOR	VOLTS
CFU12M2AW1	CFU12M2AW	134A	white	115
MARKET				
North America				

WIRING DIAGRAM - # 216803100
OWNER'S GUIDE - # 216760400
SERVICE DATA SHEET - # 216803100



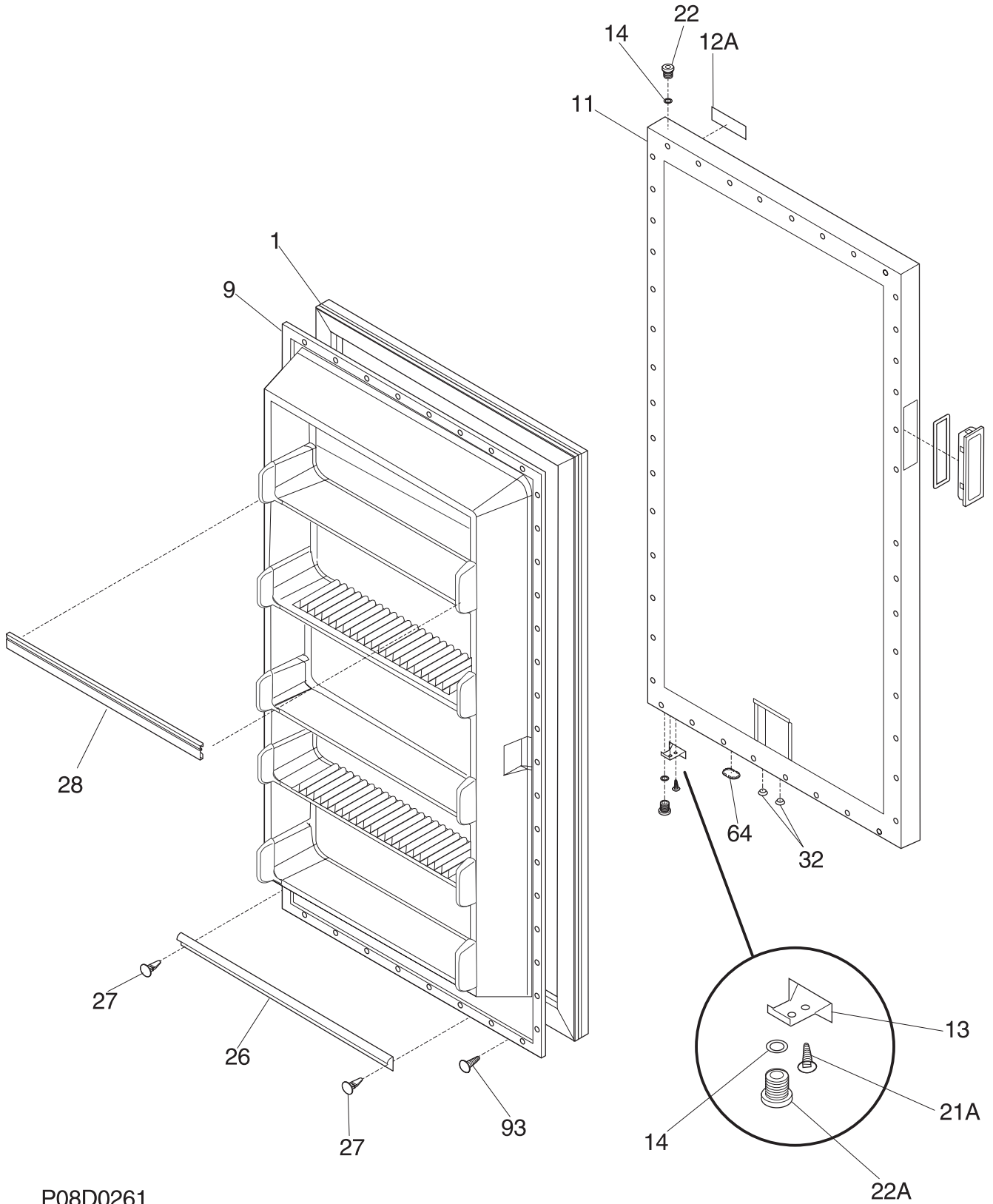
ELECTROLUX HOME PRODUCTS, INC.
P.O BOX 212378, AUGUSTA , GA 30917

Publication No.
5995365359
020206
-EN/SERVICE /BLT
365

FREEZER
Model number
CFU12M2AW1

©2002 Electrolux Home Products, Inc
All rights reserved

DOOR

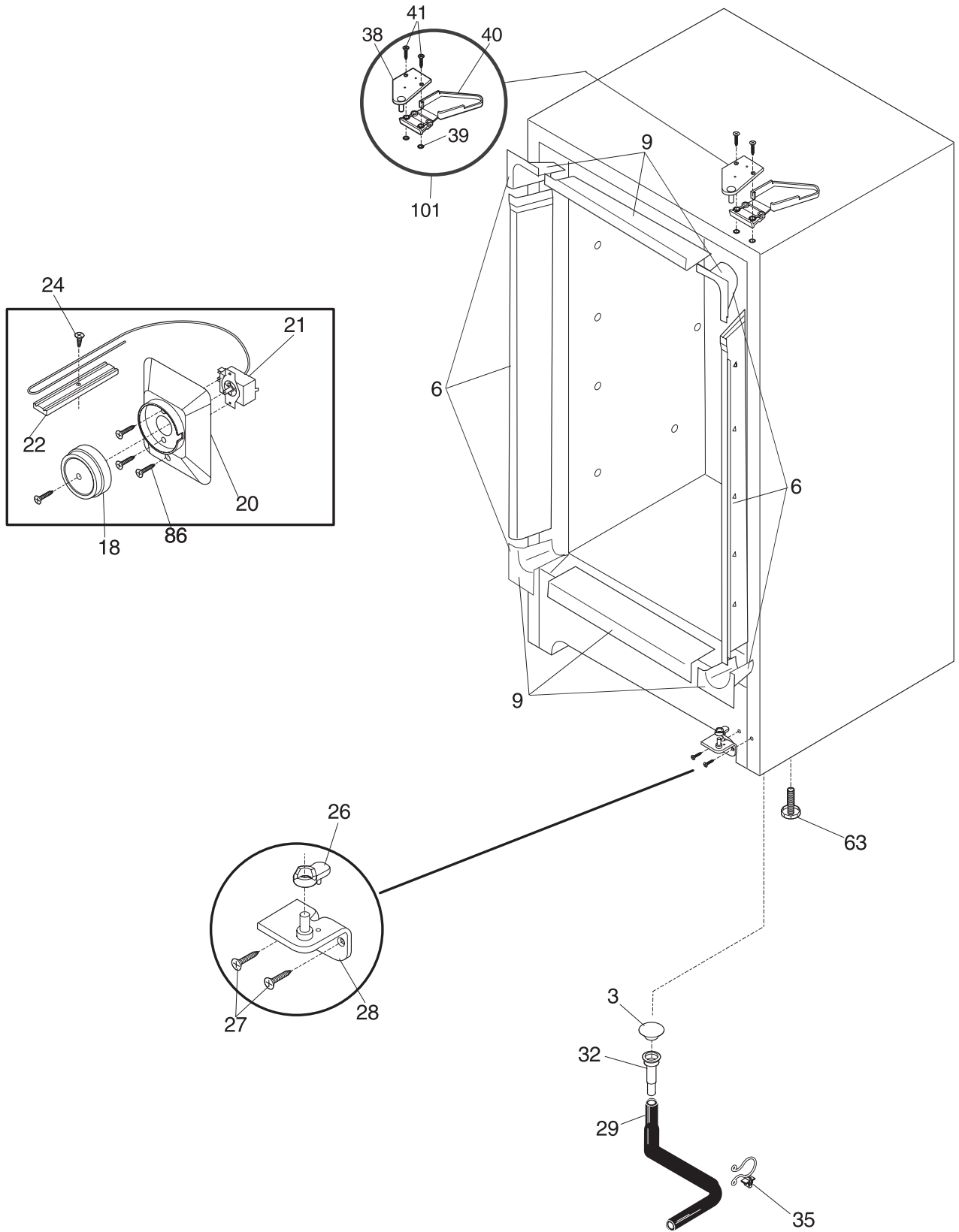


P08D0261

DOOR

POS. NO	PART NO	DESCRIPTION
1	216522303	Gasket-door,white
9	216527402	Panel-inner door,frzr
11	216565401	Panel-outer door,white
12A	216373000	Frame-nameplate
13	08016354	Door Stop
14	5303313518	Washer,sealing
21A	08005520	Screw-door stop mtg,flat hd metric ,4.0 x 0.7-19.7
22	5303925197	Bearing
22A	216503200	Bearing-hinge,btm
26	216524300	Gasket,secondary
27	5303212828	Clip,panel
28	216807701	Rack-door
32	5309950074	Valve-breather
64	216403700	Plug-button,door base
93	5303161215	Screw

CABINET

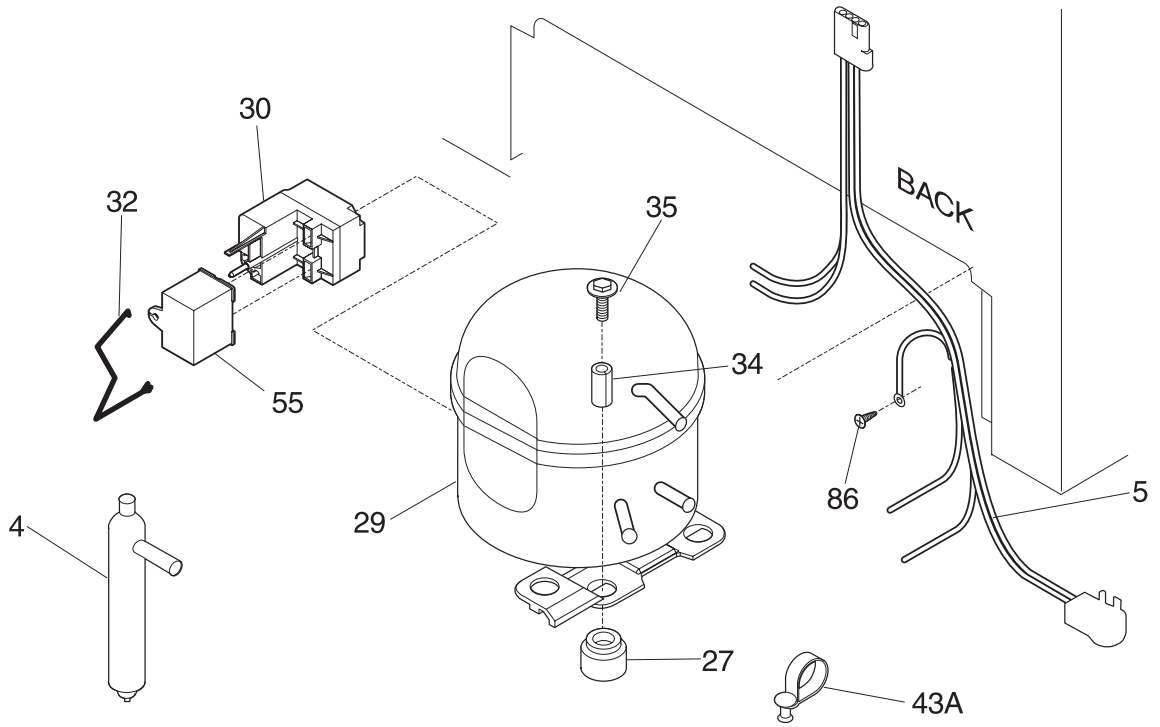
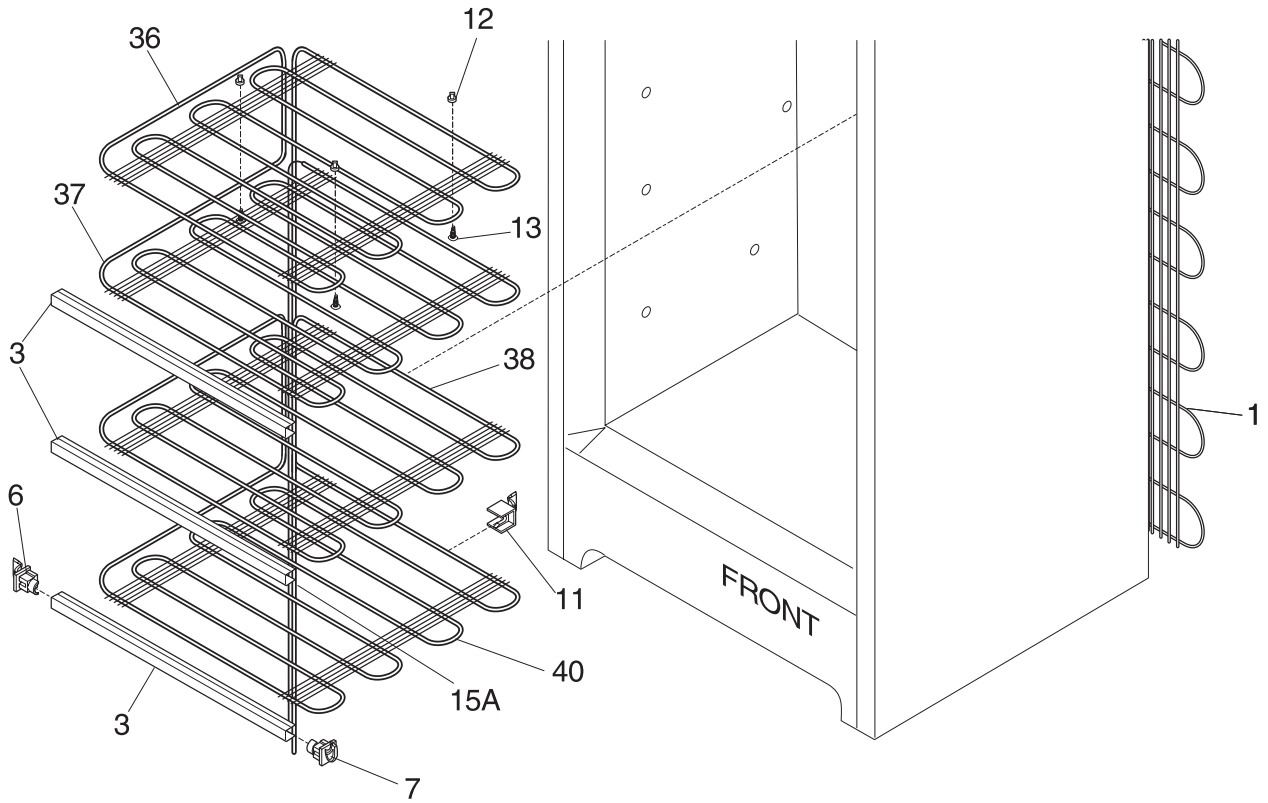


P08C0528

CABINET

POS. NO	PART NO	DESCRIPTION
3	216502600	Plug-drain,interior ,interior
6	216604400	Breaker Kit w/corners
9	216603400	Breaker Kit w/corners,28" ,top or bottom
18	216707200	Knob-control cold
20	216707300	Cover-control housing
21 #	216788100	Control-temperature
22	216823500	Clamp,cap tube ,cold control
24	5300052943	Screw-clamp,truss hd cr ,control
26	216503300	Ramp,closer ,door
27	5303205738	Screw-hinge,cr ,1/4-20 x 1.000 ,btm
28	216247400	Hinge-bottom
29	216313502	Hose-drain
32	5308005500	Drain
35	216273000	Clip,drain hose
38	216808900	Hinge-upper
39	5303294372	Nut-insert,hinge
40	216809000	Cover-hinge
41	5303001479	Screw-hinge mtg,hex hd ,1/4-20 x 0.875
63	216396900	Foot-adjustable
86	216036600	Screw,rwhd (gx-ca) ,8-32 x 1/2
101	216835200	Kit-top hinge
*	09948773	Insulation,drain tube
*	5303305324	Paint,touch-up ,white

SYSTEM



P08S0299

SYSTEM

POS. NO	PART NO	DESCRIPTION
1 #	5300123788	Condenser
3	216743000	Trim-shelf,evaporator
4	216634500	Drier-filter
5 #	216703700	Harness-main
6	3091418	Support-shelf,front LH
7	08037928	Support-shelf,front RH
11	216474600	Support-rear shelf
12	216225700	Grommet-spacer
13	216138900	Screw,hex sems ,8-18AB x 1.00 ,evap
15A	216404900	Heat Exchanger
27	5308002681	Grommet,compressor
29 #	216696500	Compressor,w/o electricals
30	216649305	Controller
32	5309950074	Valve-breather
34	5306594529	Sleeve-compressor
35	5303272328	Screw,Ind hex sems ,1/4-28 unfx ,compressor
36	216069700	Grid-top evaporator
37 #	216069800	Shelf-top evaporator
38 #	216069900	Shelf-middle evaporator
40 #	216070000	Shelf-bottom evaporator
43A	216629700	Clip-harness
55	216696700	Capacitor-run,180 VAC ,15 microfarad
86	216036600	Screw,rwhd (gx-ca) ,8-32 x 1/2
*	216502500	Sleeve-tube insert
*	216694500	Clip,controller