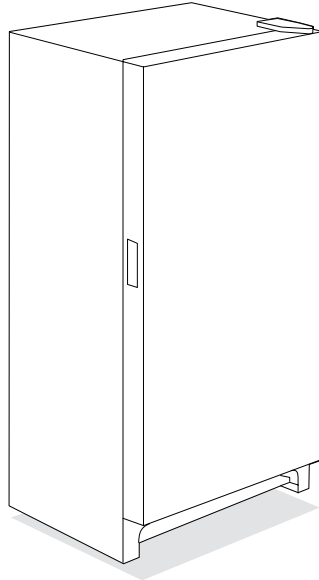


FACTORY PARTS CATALOG FREEZER

UNIVERSAL MULTIFLEX



PRODUCT NO.	BASE MODEL NO.	SERIES	COLOR	VOLTS
CFU12M2AW2	CFU12M2AW	134A	white	115
MARKET				
North America				

WIRING DIAGRAM - # 216803100
OWNER'S GUIDE - # 216760400 ENERGY GUIDE - # 216794806
SERVICE DATA SHEET - # 216803100

**Electrolux**

ELECTROLUX HOME PRODUCTS, INC.
P.O BOX 212378, AUGUSTA, GA 30917

Publication No.
5995394011
030811
-EN/SERVICE /MLR
365

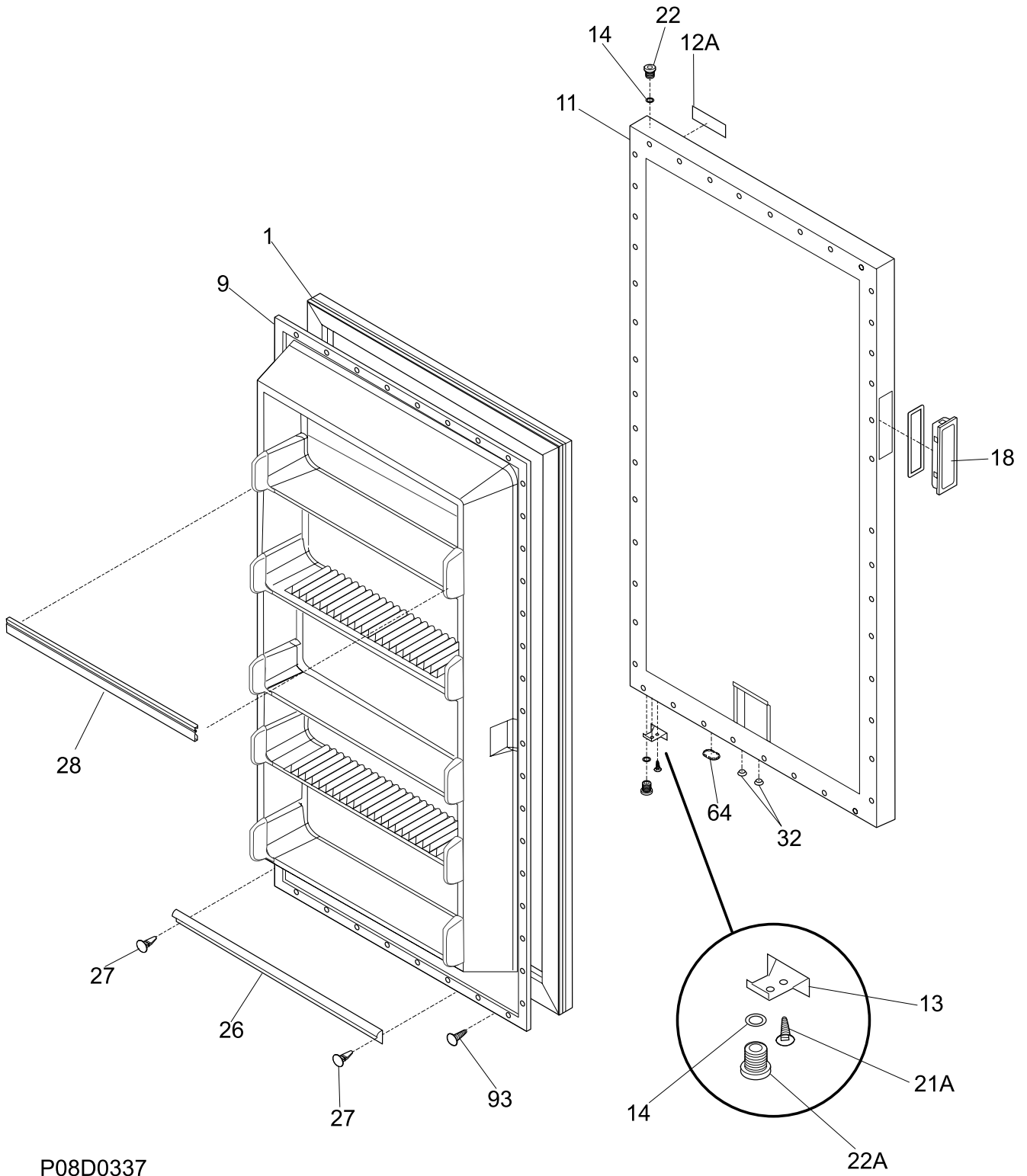
UPRIGHT FREEZER

Model number:

CFU12M2AW

©2003 Electrolux Home Products, Inc.
All rights reserved

DOOR

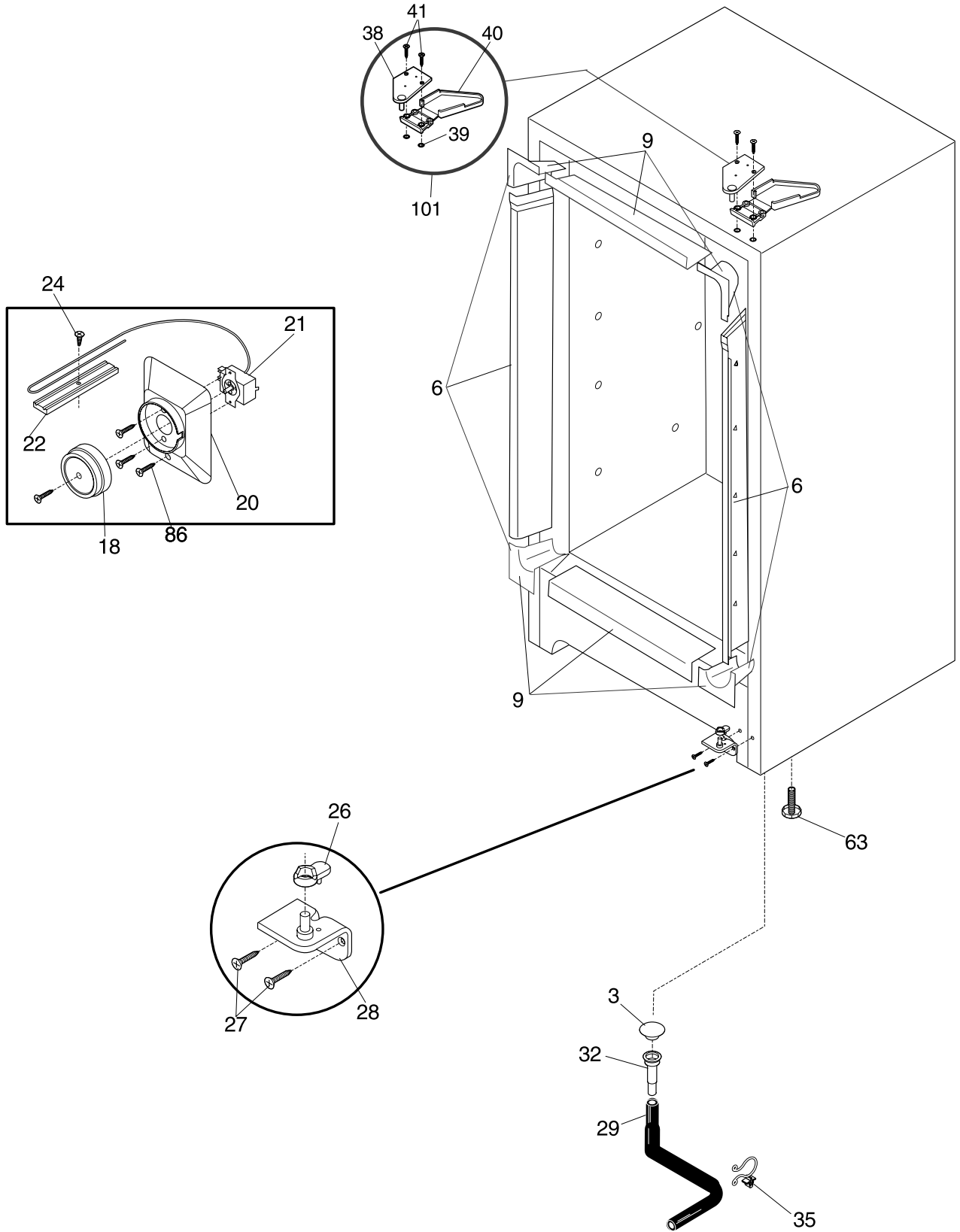


P08D0337

DOOR

POS. NO	PART NO	DESCRIPTION
1	216522303	Gasket-door,white
9	216527402	Panel-inner door,frzr
11	216565401	Panel-outer door,white
12A	216373000	Frame-nameplate
13	08016354	Door Stop
14	5303313518	Washer,sealing
18	216140200	Handle,recessed ,white
21A	08005520	Screw,door stop mtg ,4.0 x 0.7-19.7, flat hd,metric
22	216443600	Bearing,hinge ,top
22A	216503200	Bearing,hinge ,bottom
26	216524300	Gasket,secondary
27	5303212828	Clip,panel mtg
28	216807701	Rack-door,(4)
32	5309950074	Valve,breather ,door base
64	216403700	Plug-button,hole filler ,door base
93	5303161215	Screw,ph truss head ,8-18AB x 0.500

CABINET



P08C0528

CABINET

POS. NO	PART NO	DESCRIPTION
3	216502600	Plug,drain ,interior
6	216604400	Breaker Kit w/corners
9	216603400	Breaker Kit w/corners,22.13" long , top or bottom
18	216707200	Knob,temp control
20	216707300	Cover-control housing
21 #	216788100	Control-temperature
22	216823500	Clamp,cap tube ,cold control
24	5300052943	Screw-clamp,truss hd cr ,control
26	216503300	Ramp,door closer
27	5303205738	Screw,hinge mtg ,10 (A) x 0.875 ,btm
28	216247400	Hinge,bottom
29	216313502	Hose-drain
32	5308005500	Drain
35	216273000	Clip,drain hose
38	216808900	Hinge,plate ,top
39	5303294372	Nut-insert,1/4-20 UNC ,hinge
40	216809000	Cover-hinge
41	216850900	Screw,hex washer hd ,1/4 x 7/8, hinge mtg
63	216396900	Screw,leveling foot ,plastic, adjustable
86	216036600	Screw,ph washer head ,8-32CA x 0.500, thread forming
101	216835200	Top Hinge Kit
*	09948773	Insulation,drain tube
*	5303305324	Paint,touch-up ,white
*	216794806	Energy Guide

SYSTEM

POS. NO	PART NO	DESCRIPTION
1 #	5300123788	Condenser
3	216847804	Trim-shelf,white ,evaporator ,(3)
4	216634500	Drier-filter
5 #	216703700	Harness-main
6	3091418	Support-shelf,front LH
7	08037928	Support-shelf,front RH
11	216474600	Support-rear shelf
12	216225700	Grommet-spacer
13	216138900	Screw,hex sems ,8-18AB x 1.00 ,evap
15A	216404900	Heat Exchanger
27	5308002681	Grommet,compressor
29 #	216696500	Compressor,w/o electricals
30	216649305	Controller
32	216694500	Clip,controller
34	5306594529	Sleeve-compressor
35	5303272328	Screw,Ind hex sems ,1/4-28 unfx, compressor
36	216069700	Grid-top evaporator
37 #	216069800	Shelf-top evaporator
38 #	216069900	Shelf-middle evaporator
40 #	216070000	Shelf-bottom evaporator
43A	216629700	Clip
55	218909911	Capacitor-run
86	216036600	Screw,ph washer head ,8-32CA x 0.500, thread forming
*	216502500	Sleeve,suction line