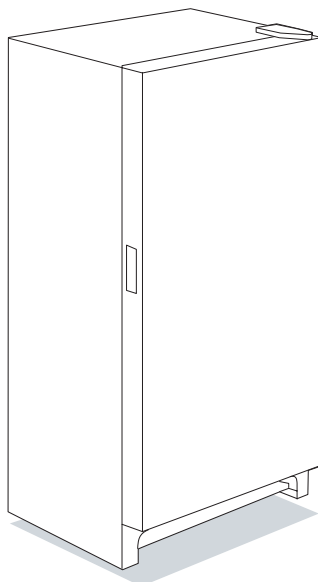


FACTORY PARTS CATALOG FREEZER

UNIVERSAL



PRODUCT NO.	BASE MODEL NO.	SERIES	COLOR	VOLTS
CFU14F1AW1	CFU14F1AW	134A	white	115
MARKET				
North America				

WIRING DIAGRAM - # 216803600
SERVICE DATA SHEET - # 216803600
OWNERS GUIDE - # 216760400 ENERGY GUIDE - # 216795304



ELECTROLUX HOME PRODUCTS, INC.
P.O BOX 212378, AUGUSTA , GA 30917

Publication No.
 5995369880
 020411
 -EN/SERVICE /BLT
 365

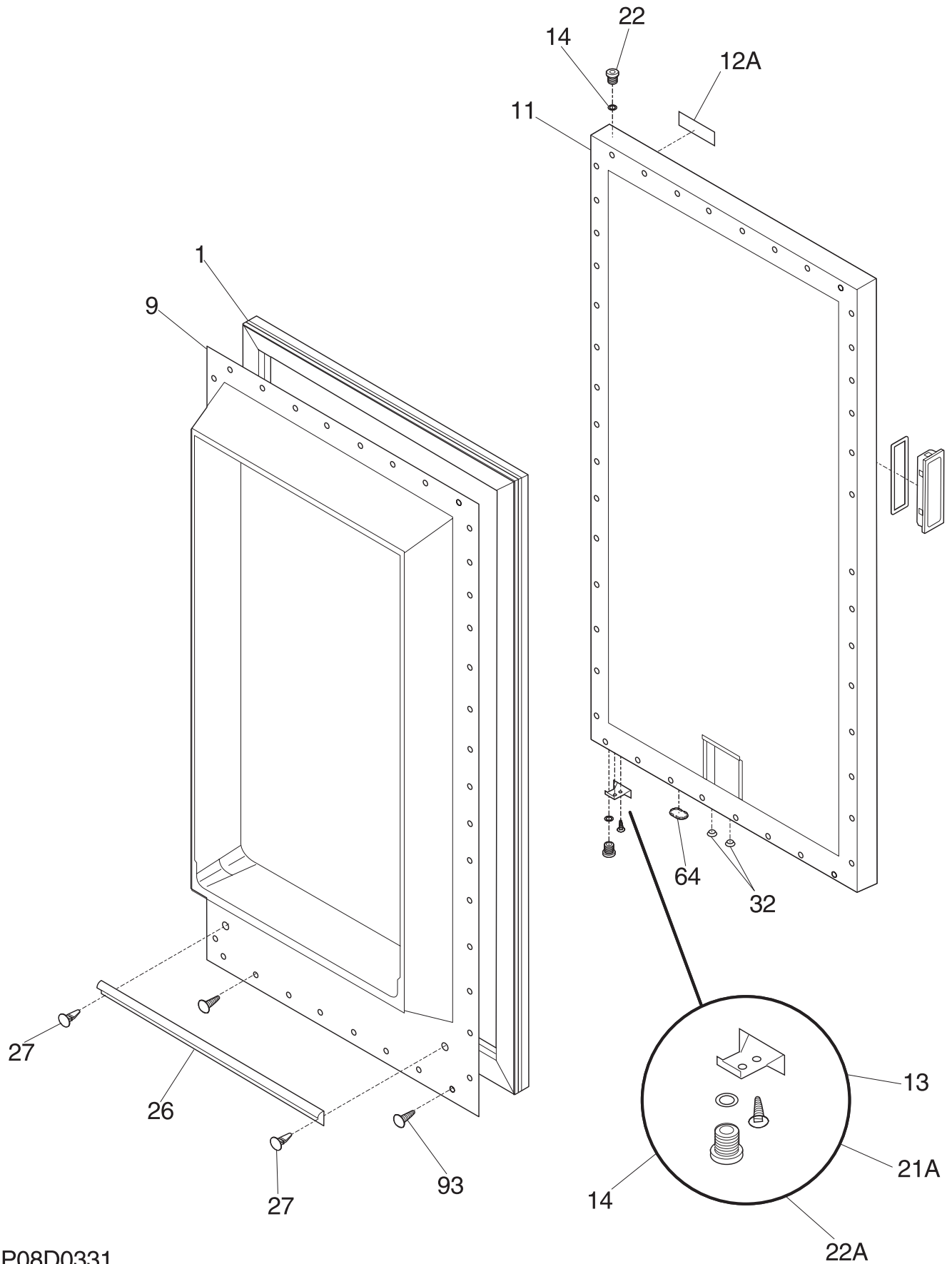
FREEZER

Model number

CFU14F1AW1

©2002 Electrolux Home Products, Inc
All rights reserved

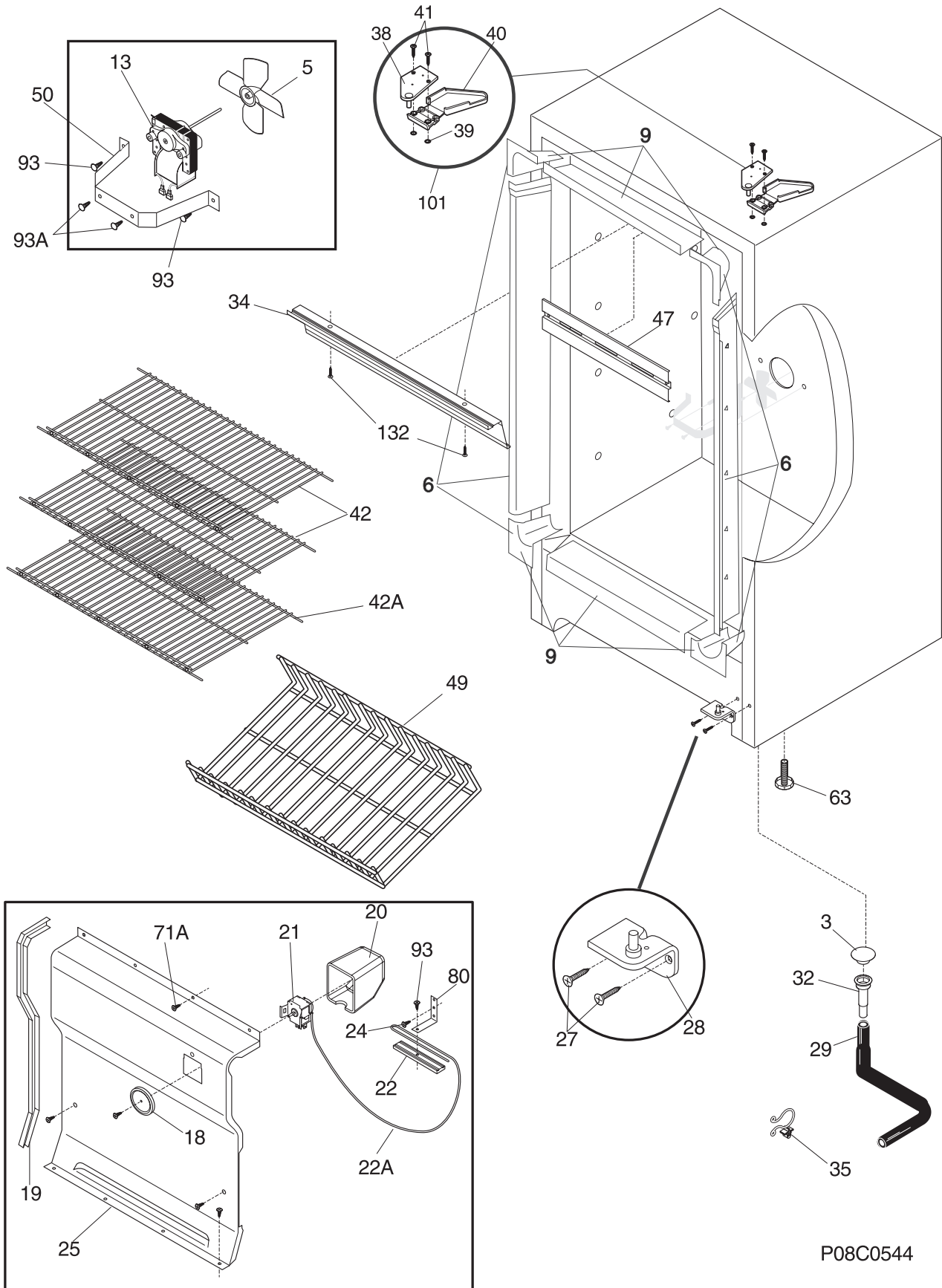
DOOR



DOOR

POS. NO	PART NO	DESCRIPTION
1	216522306	Gasket-door,white
9	216527701	Panel-inner door,frzr
11	216557801	Panel-outer door,white
12A	216373000	Frame-nameplate
13	08016354	Door Stop
14	5303313518	Washer,sealing
21A	08005520	Screw-door stop mtg,flat hd metric ,4.0 x 0.7-19.7
22	5303925197	Bearing
22A	216503200	Bearing-hinge,btm
26	216524300	Gasket,secondary
27	5303212828	Clip,panel
32	5309950074	Valve-breather
64	216403700	Plug-button,door base
93	5303161215	Screw

CABINET

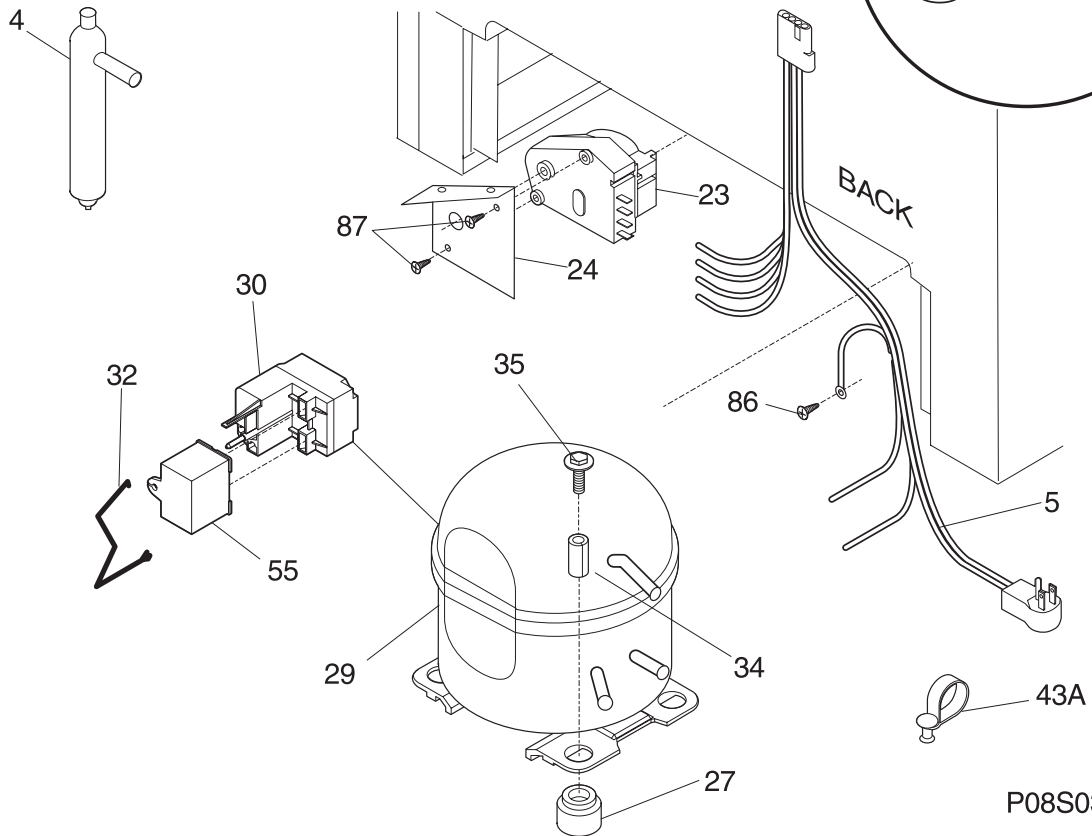
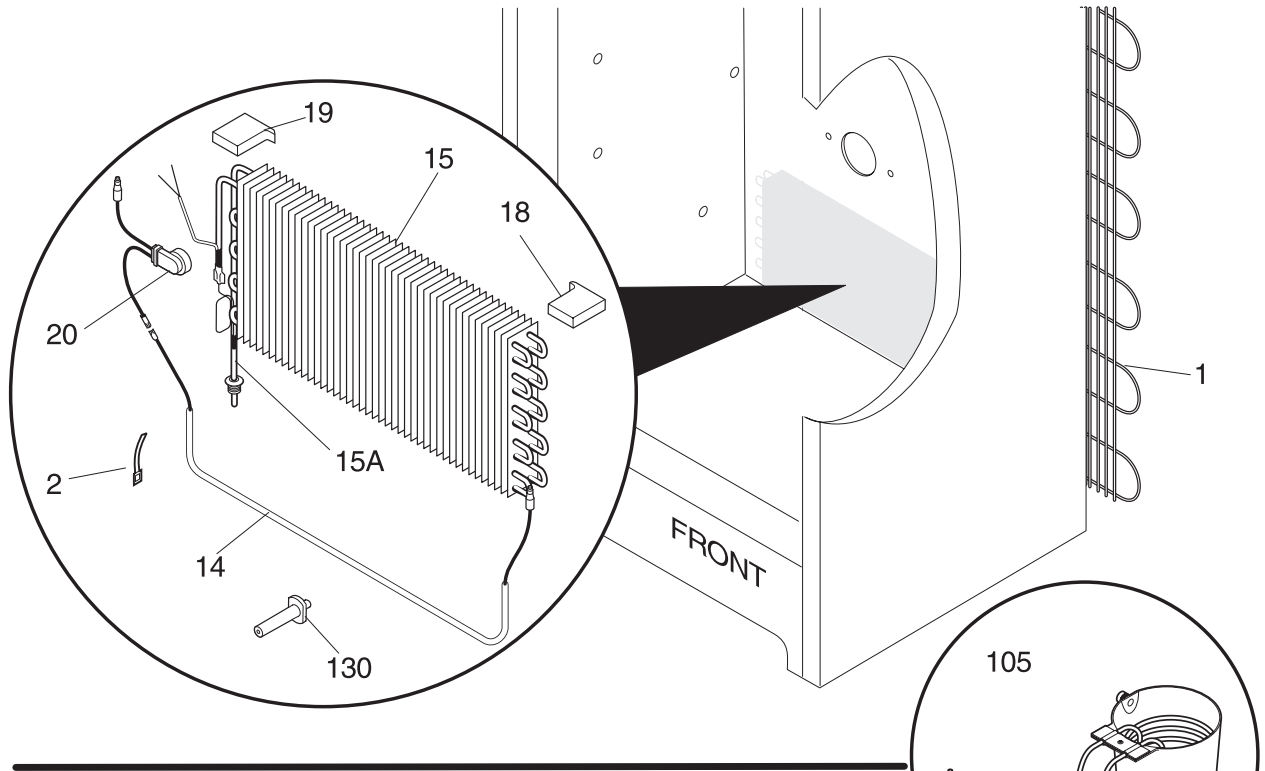


P08C0544

CABINET

POS. NO	PART NO	DESCRIPTION
3	216503100	Screen-drain
5 #	216325600	Fan Blade
6	216604300	Breaker Kit w/corners
9	216603400	Breaker Kit w/corners,28" ,top or bottom
13	216822500	Motor-fan
18	216707200	Knob-control cold
19	216204900	Gasket,evap cover
20	216230300	Cover,temp control
21 #	216788000	Control-temperature
22	216823500	Clamp,cap tube ,cold control
22A	5303916855	Tube,sensor sleeve ,plastic ,clear
24	5300052943	Screw-clamp,truss hd cr ,control
25	216737000	Cover-evaporator
27	5303205738	Screw-hinge,cr ,1/4-20 x 1.000 ,btm
28	216247400	Hinge-bottom
29	216313500	Hose-drain
32	5308005500	Drain
34	216816204	Shield-light
35	216273000	Clip,drain hose
38	216808900	Hinge-upper
39	5303294372	Nut-insert,hinge
40	216809000	Cover-hinge
41	5303001479	Screw-hinge mtg,hex hd ,1/4-20 x 0.875
42	216546100	Shelf,16.69 X 23.88 WH,16.69x23.88 ,white
42A	216546200	Shelf,14.50 X 23.88 WH,14.50x23.88 ,white
47	216661600	Baffle-plate
49	216278800	Trivet
50	216394000	Bracket-motor mtg fan
63	216396900	Foot-adjustable
71A	216347500	Screw,quadrex
80	06594601	Bracket,control
93	5303161215	Screw
93A	5303302760	Screw
101	216835200	Kit-top hinge
132	5303283898	Screw,6-20AB x 3/8
*	216802800	Owners guide
*	09948773	Insulation,drain tube
*	216502400	Grommet-shelf mtg
*	5303305324	Paint,touch-up ,white

SYSTEM



P08S0329

SYSTEM

POS. NO	PART NO	DESCRIPTION
1 #	5300123788	Condenser
2	5308000110	Strap-evap/heater,aluminum ,(2)
4	216634500	Drier-filter
5 #	216821700	Harness-main
14	216740000	Heater-defrost
15	216737400	Evaporator
15A	216565700	Heat Exchanger
18	216727600	Insulator-evap,styrofoam
19	216727700	Insulator-evap,styrofoam
20	216731000	Thermostat-defrost
23 #	216744400	Timer-defrost
24	08016580	Bracket
27	5308002681	Grommet,compressor
29 #	216784300	Compressor,w/o electricals
30	216649313	Controller
32	216649200	Clip,controller
34	5306594529	Sleeve-compressor
35	5303272328	Screw,Ind hex sems ,1/4-28 unfx ,compressor
43A	216629700	Clip-harness
55 #	216787800	Capacitor-run
86	216036600	Screw,rwhd (gx-ca) ,8-32 x 1/2
87	08037849	Screw
105	216854001	Cup-drain
130	216486800	Support-evaporator