

UNIVERSAL/MULTIFLEX

Factory Parts Catalog

Product No.	CFU17F3AW5	CFU17F3AW6
Series	134A	134A
Color	white	white
Volts	115	115
Wiring Diagram	216857700	216857700
Owner's Guide	216961000	216961000
Market	North America	North America
Energy Guide	216795404	216795404



ELECTROLUX HOME PRODUCTS, INC.
P.O. Box 212378, Augusta, GA 30917

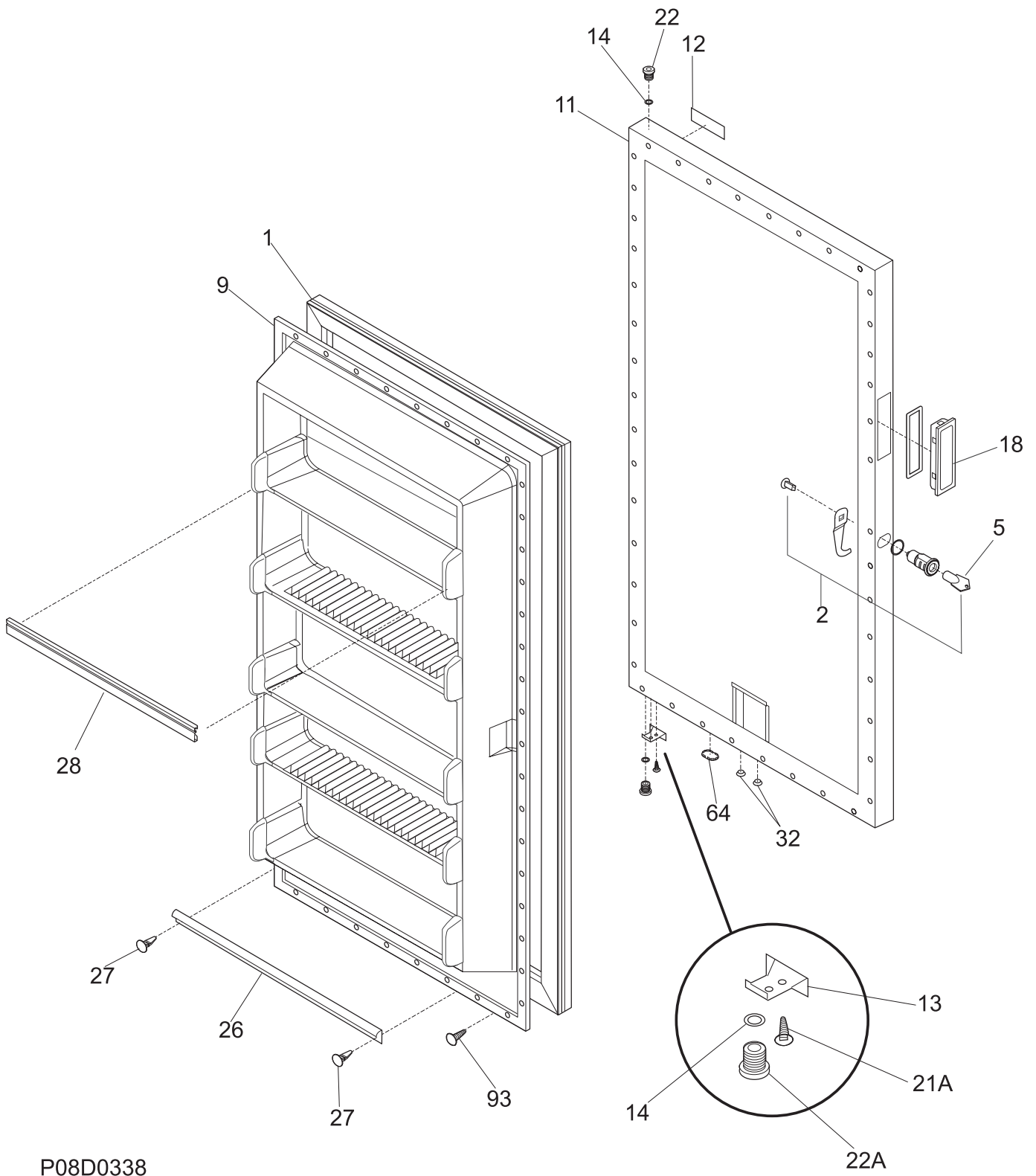
Publication No.
5995423901
04/12/10
(EN/SERVICE/ECL)
365

UPRIGHT FREEZER

Model No.
CFU17F3AW

Copyright © 2004 Electrolux Home Products, Inc.
All rights reserved.

DOOR



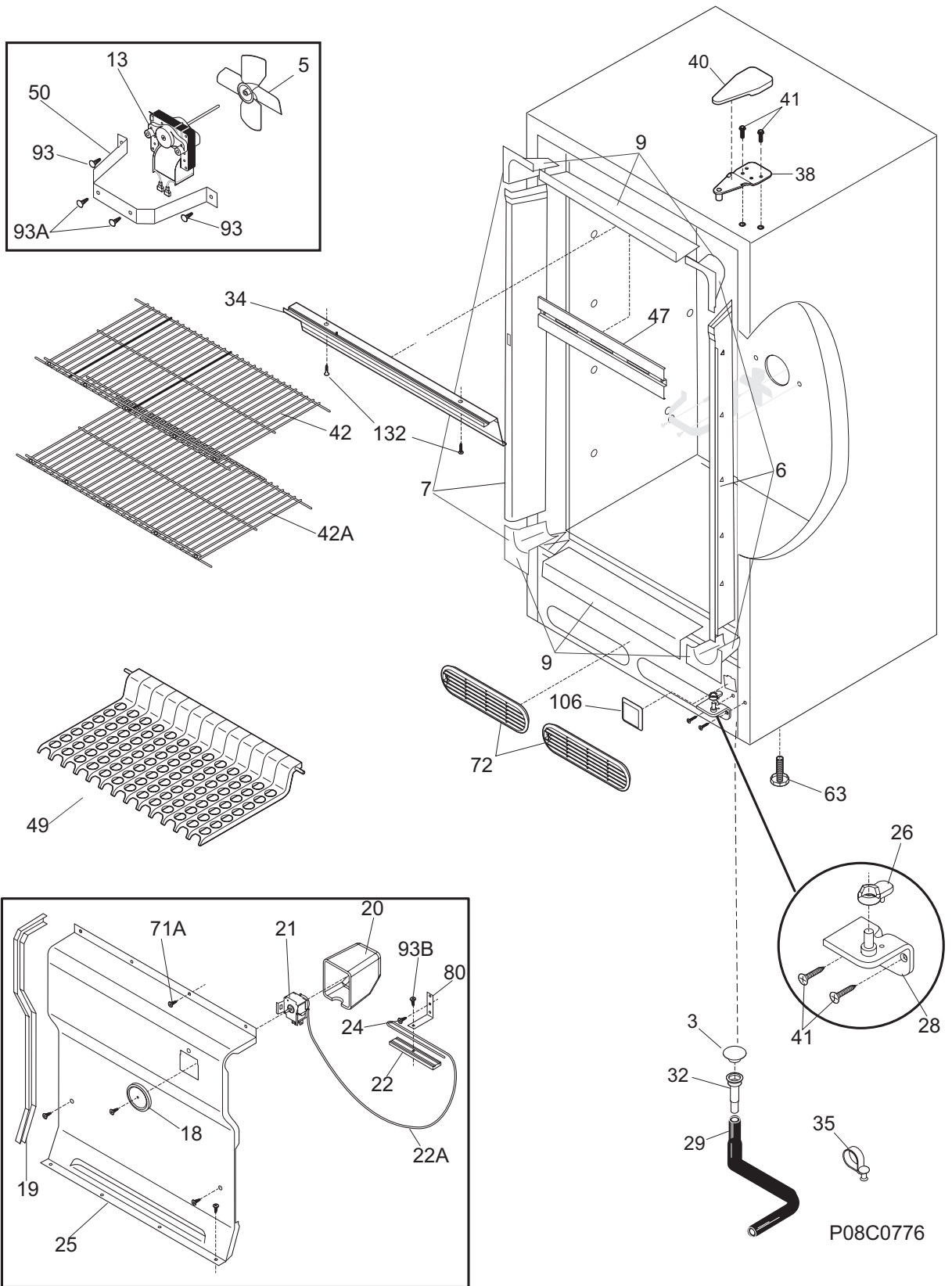
P08D0338

DOOR

Model Index: A CFU17F3AW (CFU17F3AW5)
 B CFU17F3AW (CFU17F3AW6)

POS. NO	PART NO.		DESCRIPTION
1	216522309	A B	Gasket-door, white
2 #	5303925107	A B	Lock Assy
5 #	216702900	A B	Key, lock
9	216527803	A B	Panel-inner door, white, frzr
11	216413100	A B	Panel-outer door, w/foam insul, & handle
12	216373000	A B	Frame-nameplate
13	08016354	A B	Door Stop
14	5303313518	A B	Washer, sealing
18	216140200	A B	Handle, recessed, white
*	08009392	A B	Gasket, white
21A	08005520	A B	Screw, door stop mtg, 4.0 x 0.7-19.7, flat hd, metric
22	5303925197	A -	Bearing, hinge, top
22	216970800	- B	Bearing, hinge, top
22A	216503200	A B	Bearing, hinge, bottom
26	216524200	A B	Gasket, secondary
27	5303212828	A B	Clip, panel mtg
28	216951600	A B	Rack-door, (5)
32	5309950074	A B	Valve, breather, door base
64	216403700	A B	Plug-button, hole filler, door base
93	5303161215	A B	Screw, ph truss head, 8-18AB x 0.500

CABINET

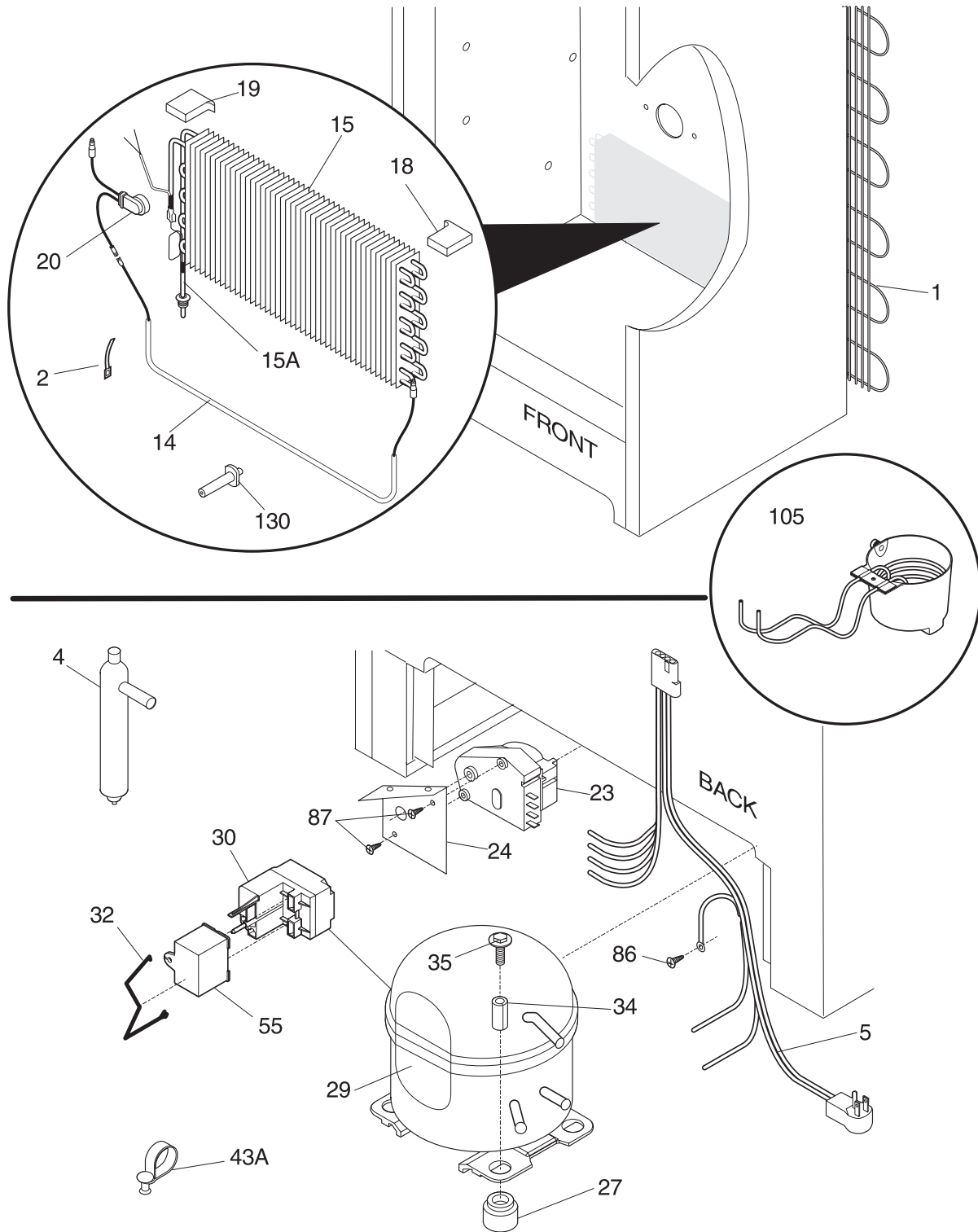


CABINET

Model Index: A CFU17F3AW (CFU17F3AW5)
B CFU17F3AW (CFU17F3AW6)

POS. NO	PART NO.		DESCRIPTION
3	216503100	A B	Screen-drain
5 #	216325600	A B	Fan Blade
6	216604200	A B	Breaker Kit w/corners
7	216603700	A B	Breaker Kit w/corners, lock catch
9	216603300	A B	Breaker Kit w/corners, 32", top or bottom
13 #	216914200	A -	Motor, fan, 115 V
13 #	216934100	- B	Motor, fan, 115 V
*	216912400	A B	Screw, hex washer head, #8-32 x .500, bracket fan mtr, (2)
18	216707200	A B	Knob, temp control
19	216204900	A B	Gasket, evap cover
20	216230300	A B	Cover, temp control
21	216715200	A B	Control-temperature
22	216823500	A B	Clamp, cap tube, cold control
22A	5303916855	A B	Tube, sensor sleeve, plastic, clear
24	5300052943	A B	Screw-clamp, truss hd cr, control
25	216820200	A B	Cover-evaporator
26	216503300	A B	Ramp, door closer
27	5303205738	A B	Screw, door stop, 10 (A) x 0.875, btm
28	216247400	A B	Hinge, bottom
29	216313500	A B	Hose-drain
*	09948773	A -	Insulation, drain tube
*	297001701	- B	Insulation, drain tube, 24"
32	5308005500	A B	Drain
34	216816203	A B	Shield-light
35	216629700	A B	Clip
38	216939100	A B	Hinge-upper
40	216809000	A B	Cover-hinge
41	216954400	A -	Screw, 12-24 x .700 hwh, hinge mtg.
41	216936800	- B	Screw-hinge, 12-24x.700 HWH, btm
42	216458400	A B	Shelf, 14.50x27.88, (2)
42A	216458200	A B	Shelf, 12.50x27.88, white
*	216502400	A B	Grommet-shelf mtg
47	216661600	A B	Plate, baffle, snap fit
49	216937700	A B	Trivet
50	216394000	A B	Bracket, fan motor mount
63	216396900	A B	Screw, leveling foot, plastic, adjustable
71A	216347500	A B	Screw, quadrex, 8-32 x 0.300, grounding
72	216952700	A B	Grille/guard, (2)
80	06594601	A B	Bracket, control
93	5303161215	A B	Screw, ph truss head, 8-18AB x 0.500
93A	216629600	A B	Screw, hex washer head, 10-16 x 0.500, tapping
93B	216036600	A B	Screw, ph washer head, 8-32CA x 0.500, thread forming
106	216926301	A B	Plug, square
132	5303283898	A B	Screw, 6-20AB x 3/8
*	216795404	A B	Energy Guide
*	5303305324	A B	Paint, touch-up, white

SYSTEM



P08S0329

SYSTEM

Model Index: A CFU17F3AW (CFU17F3AW5)
B CFU17F3AW (CFU17F3AW6)

POS. NO	PART NO.		DESCRIPTION
1 #	5300083897	A B	Condenser
2	5308000110	A B	Strap-evap/heater, aluminum, (2)
4	216634500	A -	Drier-filter
4 #	216938600	- B	Drier-filter
5 #	216821700	A B	Harness-main
14 #	216730700	A B	Heater-defrost
15 #	216737300	A B	Evaporator
15A	216783200	A B	Heat Exchanger, suct/cap tube
18	216727600	A B	Insulator-evap, styrofoam
19	216727700	A B	Insulator-evap, styrofoam
20	216731000	A B	Thermostat, defrost
23	216744400	A B	Timer, defrost, 12 hour
24	08016580	A B	Bracket
27	5308002681	A B	Grommet, compressor
29 #	216941800	A -	Compressor, w/o electricals
29 #	216966700	- B	Compressor, w/o electricals
30 #	216649315	A B	Controller
32	216649100	A B	Clamp, elec cont mtg, compressor
34	5306594529	A B	Sleeve-compressor
35	5303272328	A B	Screw, lnd hex sems, 1/4-28 unfx, compressor
43A	216629700	A B	Clip
55	218909913	A B	Capacitor-run, 220 VAC, 15 microfarad
86	216036600	A B	Screw, ph washer head, 8-32CA x 0.500, thread forming
87	08037849	A B	Screw, ph truss head, 6-32(T) x 0.500, thread cutting
105	216854001	A B	Cup-drain
130	216486800	A B	Support, evaporator mtg
*	216502500	A B	Sleeve, suction line
*	5303298960	A B	Spacer-tube, 0.237" ID