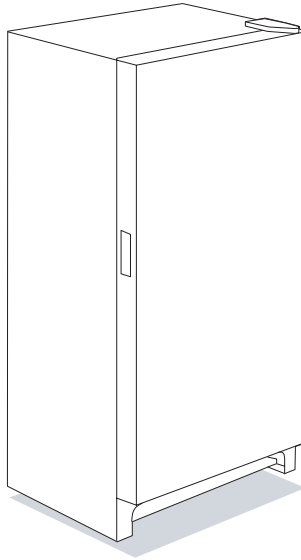


FACTORY PARTS CATALOG FREEZER

UNIVERSAL/MULTI-FLEX



PRODUCT NO.	BASE MODEL NO.	COLOR	VOLTS
CFU17F3HW3	CFU17F3H	white	115
MARKET			
USA			

WIRING DIAGRAM - # 216751900
OWNER'S GUIDE - # 216760400
SERVICE DATA SHEET - # 216751900

 Electrolux

ELECTROLUX HOME PRODUCTS NORTH AMERICA
 P.O. BOX 212378, AUGUSTA, GA 30917

Publication No.
 5995352688
 010419
 -EN/SERVICE /DJH
 365

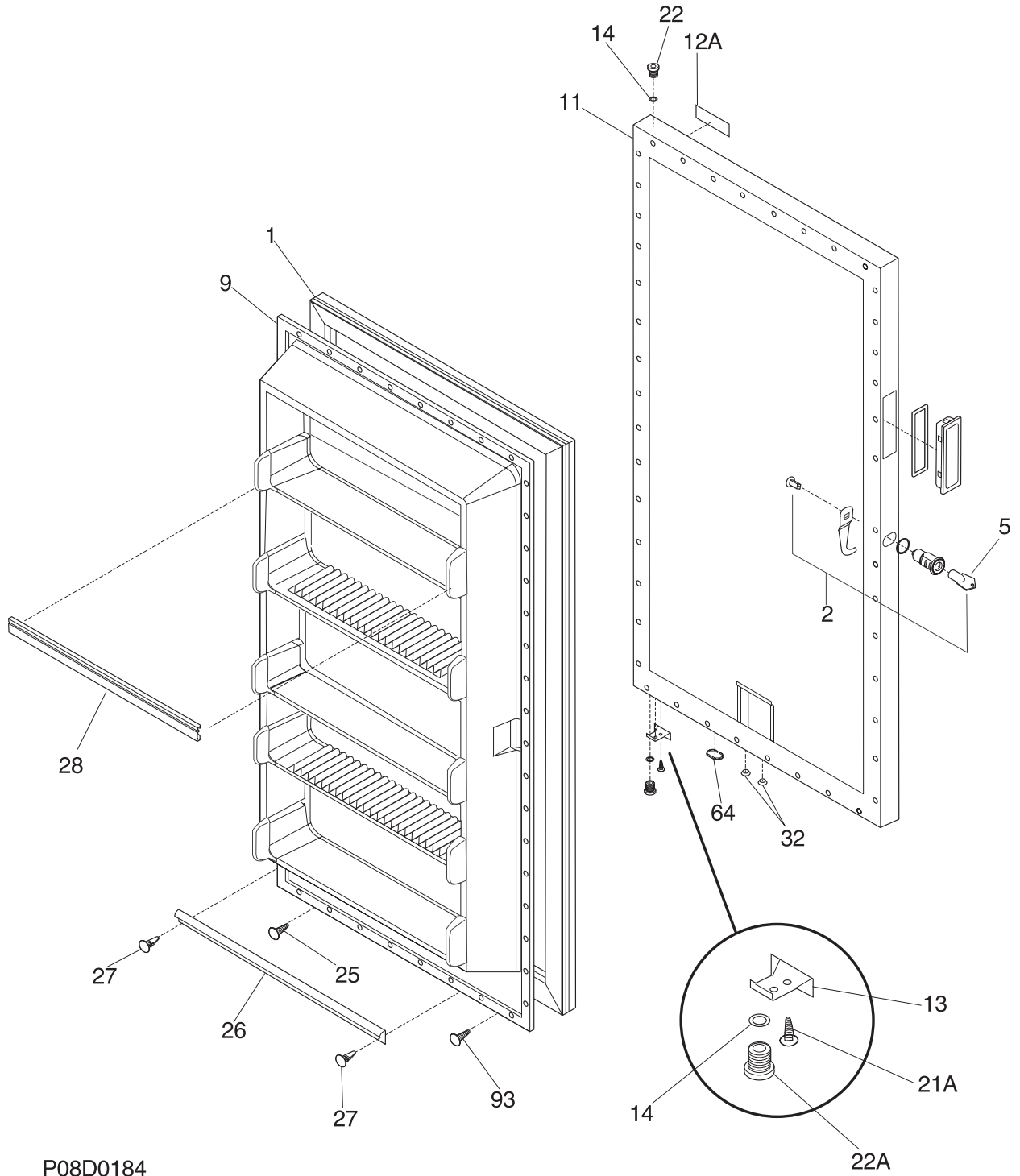
FREEZER

Model No.

CFU17F3H

©2001 White Consolidated Industries, Inc.
 All rights reserved

DOOR

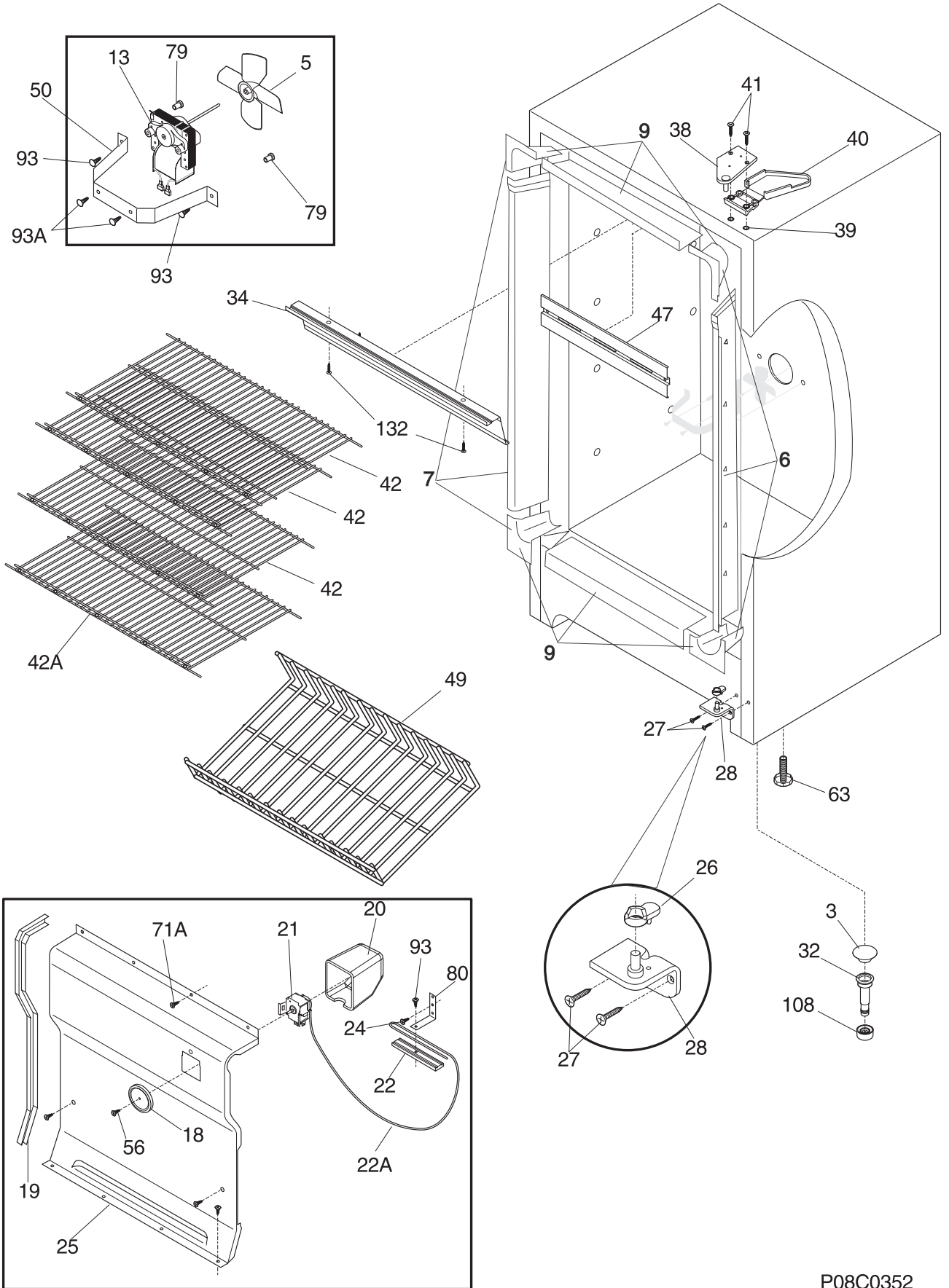


P08D0184

DOOR

POS. NO	PART NO	DESCRIPTION
1	216522309	Gasket-door,white
2 #	5303925107	Lock Assy
5 #	216702900	Key,lock
9	216527803	Panel-inner door,white ,frzr
11	216413100	Panel-outer door,w/foam insul ,& handle
12	216373000	Frame-nameplate
13	08016354	Door Stop
14	5303313518	Washer,sealing
21A	08005520	Screw-door stop mtg,flat hd metric ,4.0 x 0.7-19.7
22	216443600	Bearing
22A	216503200	Bearing-hinge,btm
25	216022800	Screw,washer head ,8-18 X 1/2
26	216524200	Gasket,secondary
27	5303212828	Clip,panel
28	216523102	Rack-shelf,wide ,white
32	5309950074	Valve-breather
64	216403700	Plug-button,base door
93	5303161215	Screw

CABINET

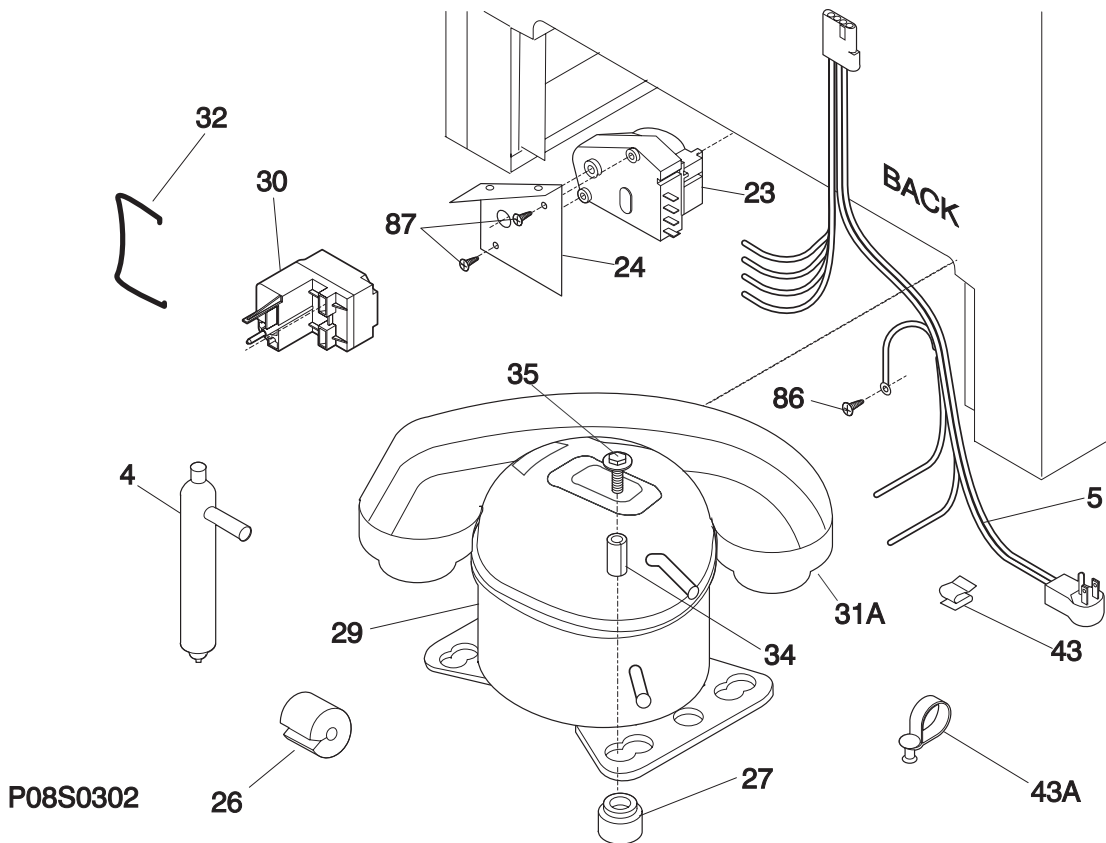
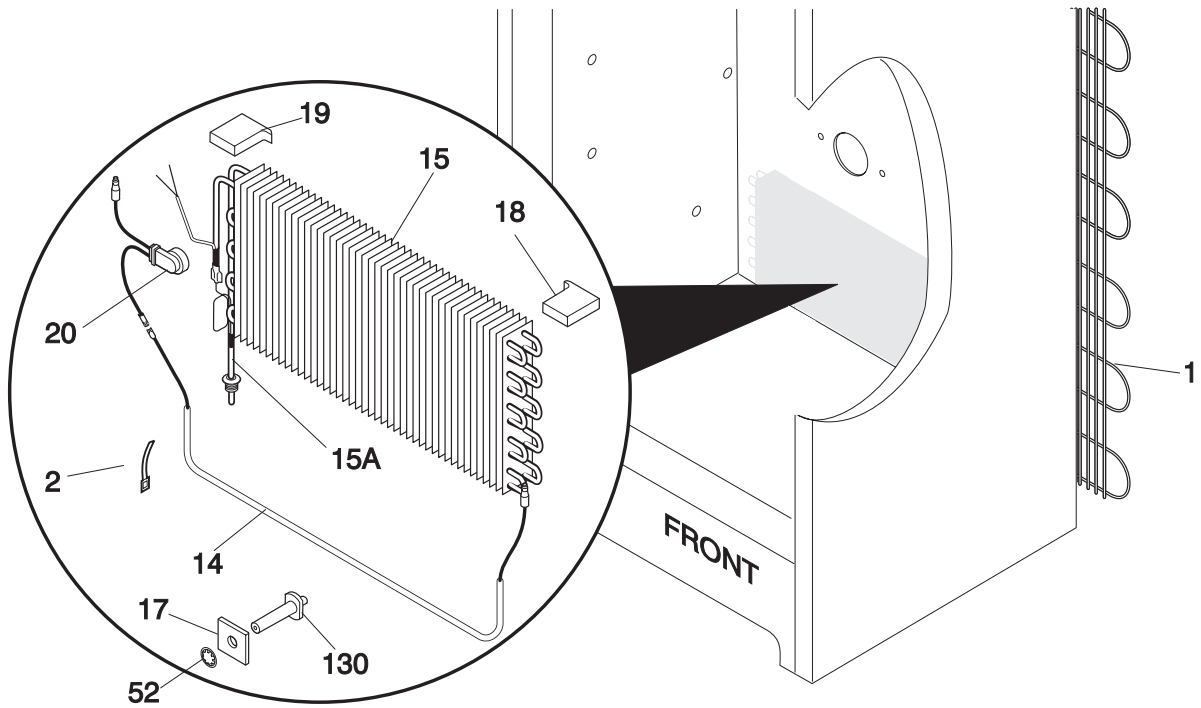


P08C0352

CABINET

POS. NO	PART NO	DESCRIPTION
3	216503100	Screen-drain
5 #	216325600	Fan Blade
6	216604200	Breaker Kit w/corners
7	216603700	Breaker Kit w/corners,lock catch
9	216603300	Breaker Kit w/corners,32" ,top or bottom
13 #	216690400	Motor-fan
18	216707200	Knob-control cold
19	216204900	Gasket,evap cover
20	216230300	Cover,temp control
21 #	216715200	Control-temperature
22	05878562	Clamp,cap tube ,cold control
22A	5303916855	Tube,sensor sleeve ,plastic ,clear
24	5300052943	Screw-clamp,truss hd cr ,control
25	216737100	Cover-evaporator
26	216503300	Ramp,closer ,door
27	5303205738	Screw-hinge,cr ,1/4-20 x 1.000 ,btm
28	216247400	Hinge-bottom
32	5308005500	Drain
34	216557600	Shield-light
38	5303925086	Hinge-upper
39	5303294372	Nut-insert,hinge
40	5303212912	Cover-hinge
41	5303212937	Screw-top hinge
42	131168200	Screw,8-18 x 0.31
42	216458400	Shelf,14.50x27.88 ,WH
42A	216458200	Shelf,12.50x27.88 ,white
47	216661600	Baffle-plate
49	216278900	Trivet
50	216394000	Bracket-motor mtg fan
56	09950853	Screw-control knob,phillips ,4-40 x 3/8
63	216396900	Foot-adjustable
71A	216347500	Screw,quadrex
79	3017666	Nut-insert
80	06594601	Bracket,control
93	5303161215	Screw
93A	5303302760	Screw
108	216388600	Trap-drain
132	5303283898	Screw,6-20AB x 3/8
*	09948773	Insulation,drain tube

SYSTEM



SYSTEM

POS. NO	PART NO	DESCRIPTION
1 #	5300083897	Condenser
2	5308000110	Strap-evap/heater,aluminum ,(2)
4	216634500	Drier-filter
5 #	216761900	Harness,electrical
14	216730700	Heater-defrost
15	216737300	Evaporator
15A	216751000	Heat Exchanger
18	216727600	Insulator-evap,styrofoam
19	216727700	Insulator-evap,styrofoam
20	216731000	Thermostat-defrost
22A	5303916855	Tube,sensor sleeve ,plastic ,clear
23	216744400	Timer-defrost
24	08016580	Bracket
25	216022800	Screw,washer head ,8-18 X 1/2
26	216511900	Spacer tube,(3)
27	216498900	Grommet,compressor
29 #	216639700	Compressor,Service
30	216649308	Controller-regulator LP
32	216731900	Clip-controller
34	5306594529	Sleeve-compressor
35	5303272328	Screw,Ind hex sems ,1/4-28 unfx ,compressor
43	09950610	Clip,cord
43A	216629700	Clip-harness
86	216036600	Screw,rwhd (gx-ca) ,8-32 x 1/2
87	08037849	Screw
130	216730400	Support-evaporator